



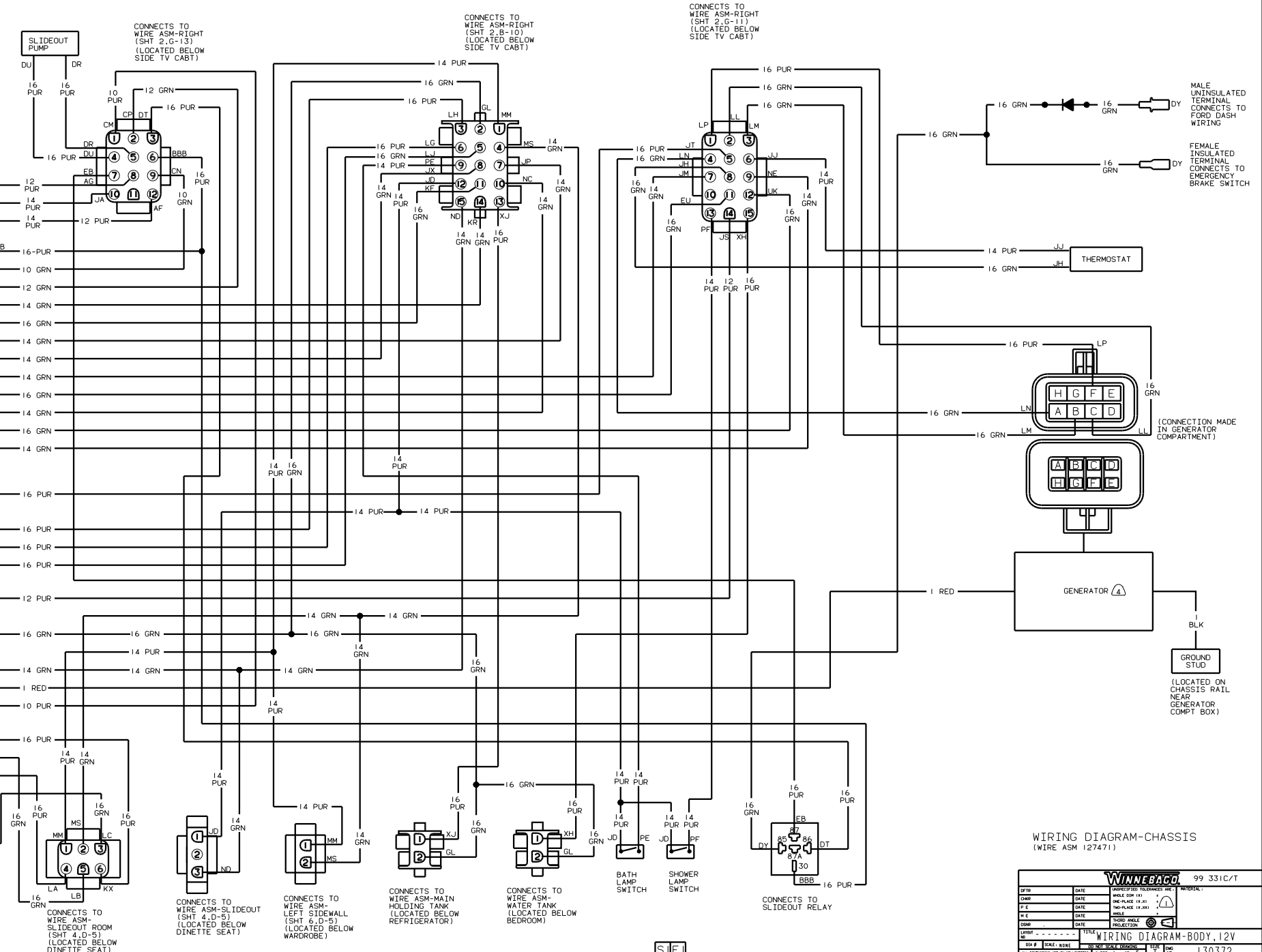
**DANGER**

**Danger of electrical shock, burns or death.** Always remove all power sources before attempting any repair, service or diagnostic work. Power can be present from shore power, generator, inverter or battery. All power sources must be disabled and secured before performing any service.



**CAUTION**

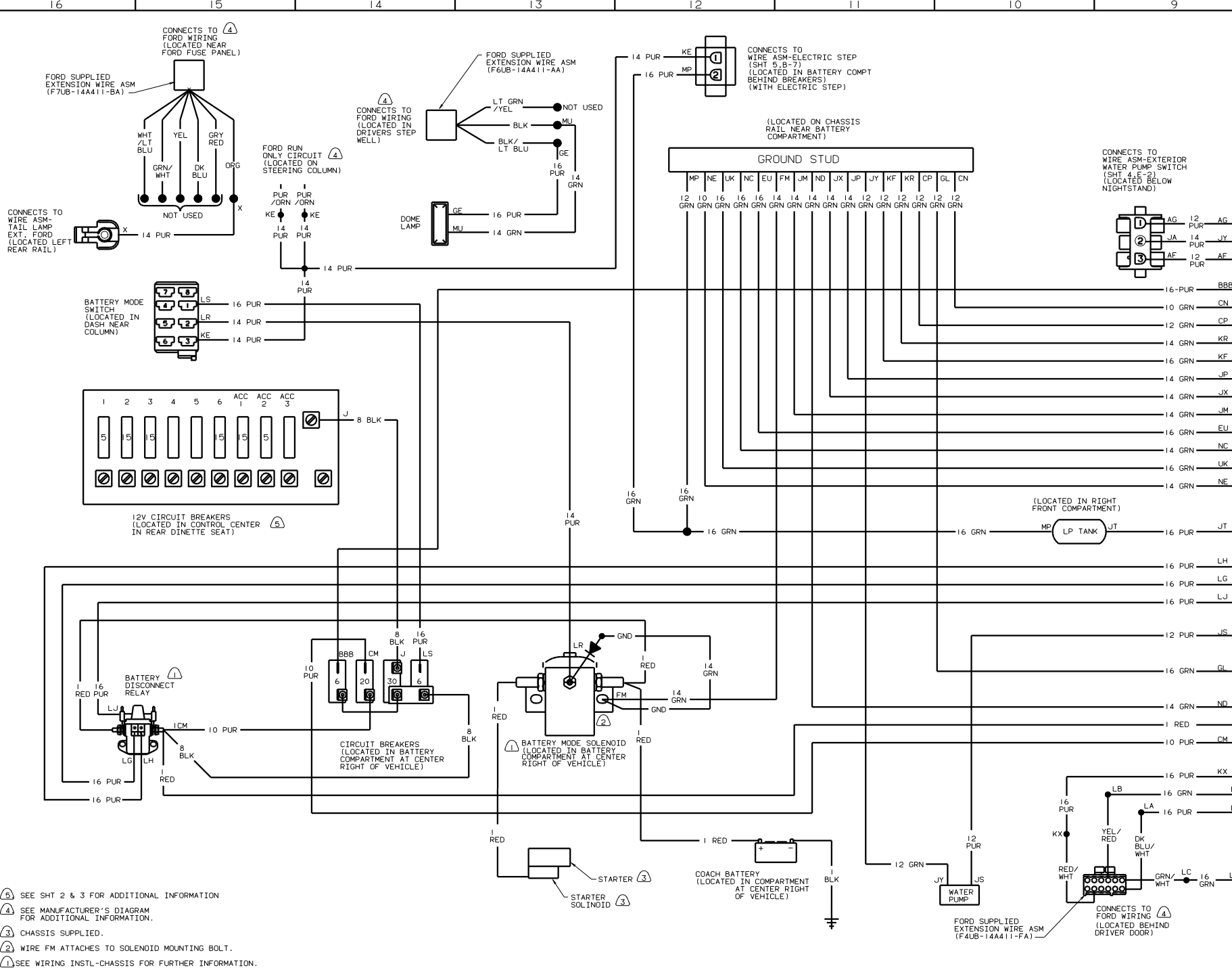
If you lack the skills, tools or equipment to perform diagnostic or repair work leave such work to an authorized Winnebago Industries dealer or other qualified shop.

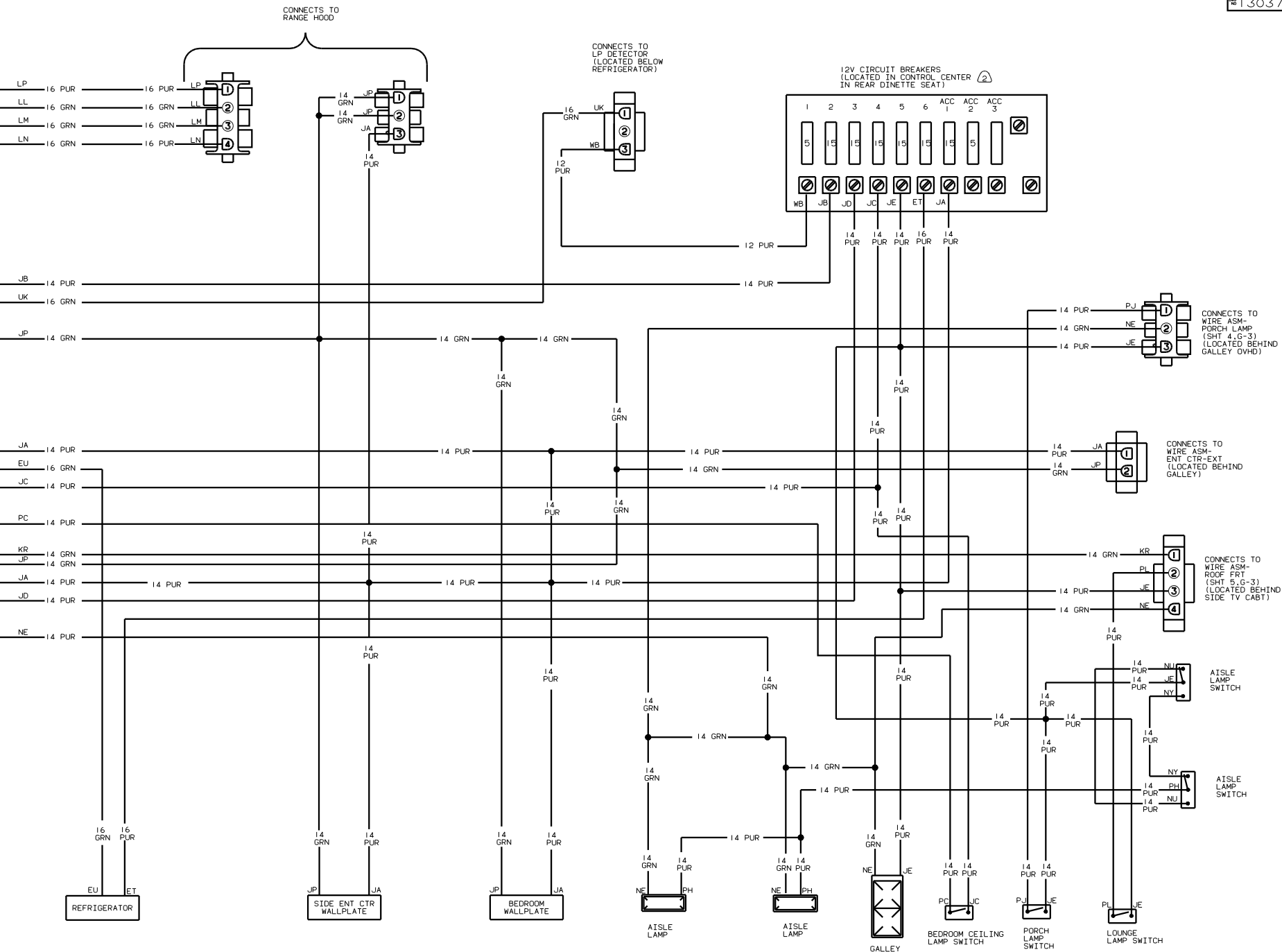


WIRING DIAGRAM-CHASSIS  
 (WIRE ASM 127471)

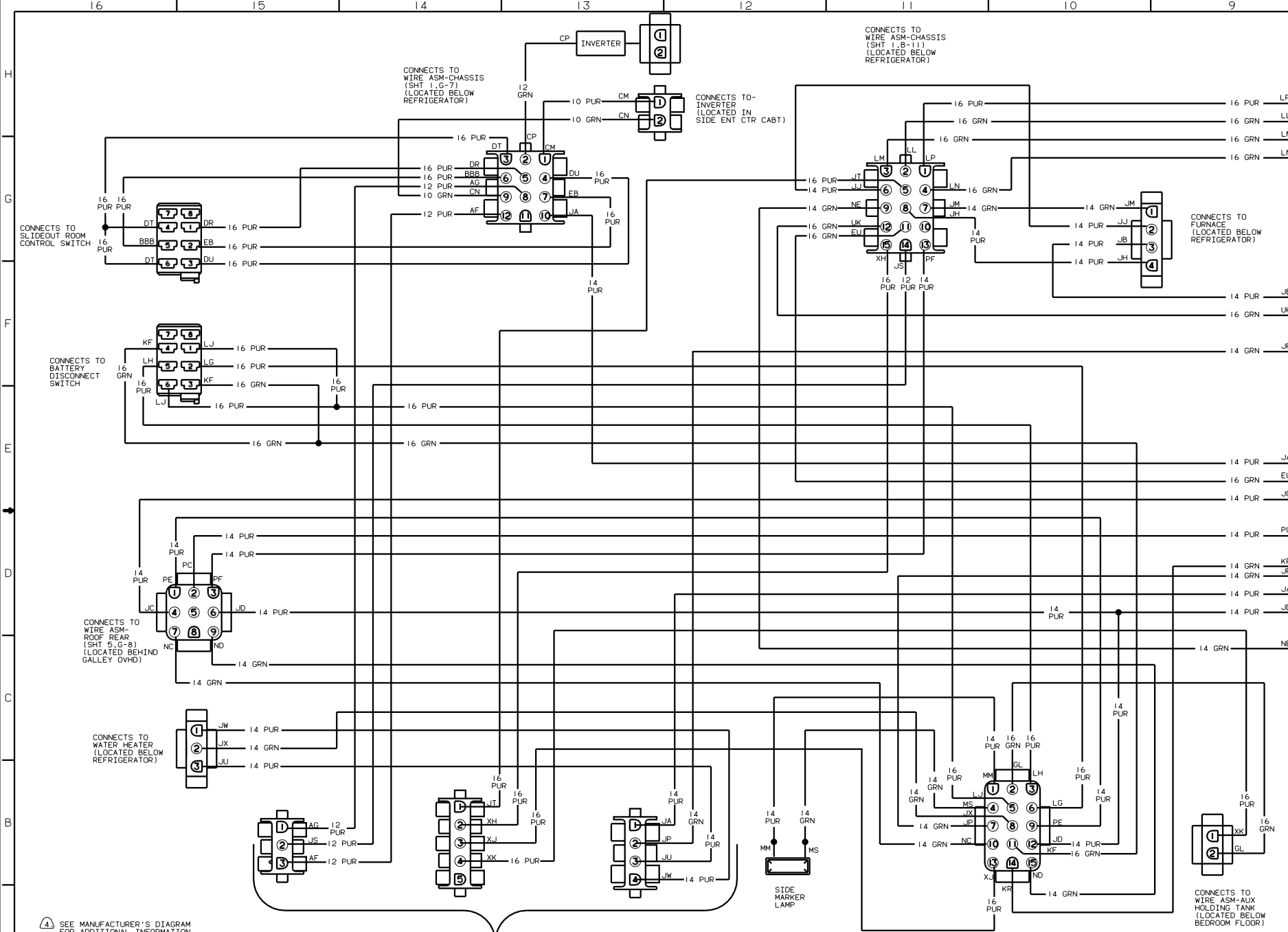
WINNEBAGO 99 331C/T

DATE	DATE	DATE	DATE
DRAWN	DATE	DATE	DATE
SCALE	SCALE	SCALE	SCALE
ALL DIMENSIONS ARE IN MILLIMETERS	SHEET 1 OF 5	FIG NO	130372

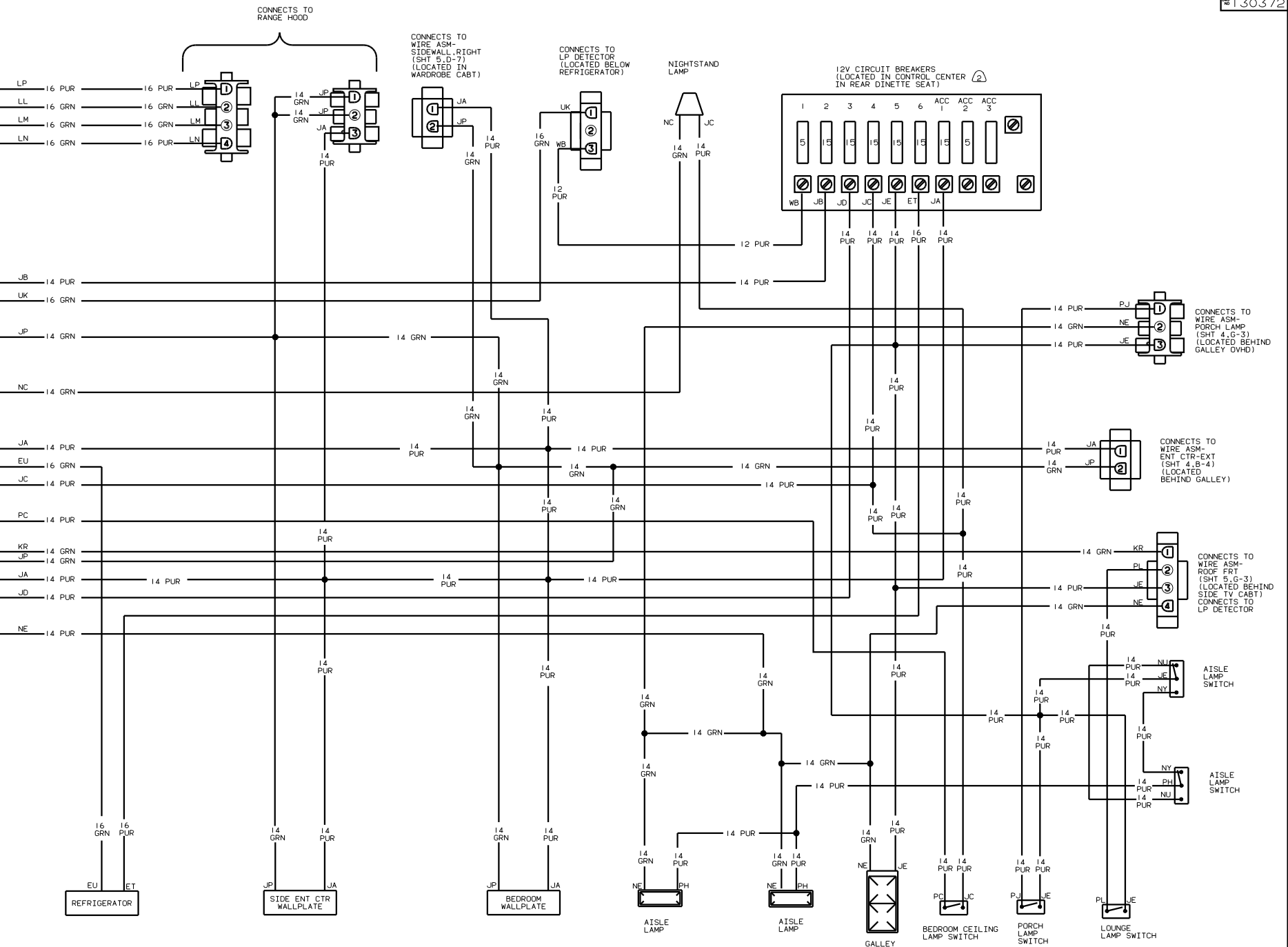




WIRING DIAGRAM-RIGHT (WIRE ASM 127476-01)



- NOTES:
- ④ SEE MANUFACTURER'S DIAGRAM FOR ADDITIONAL INFORMATION.
  - ③ CHASSIS SUPPLIED.
  - ② SEE SHT 1 FOR ADDITIONAL INFORMATION
  - ① SEE WIRING INSTL-CHASSIS FOR FURTHER INFORMATION.



WIRING DIAGRAM-RIGHT

(WIRE ASM 127476-02)

99 331T

TITLE: WIRING DIAGRAM-BODY, 12V  
 SHEET 3 OF 5  
 130372

S3F1

CONNECTS TO WIRE ASM-CHASSIS (SHT 1,G-11) (LOCATED BELOW SIDE TV CABT)

CONNECTS TO WIRE ASM-CHASSIS (SHT 1,G-7) (LOCATED BELOW REFRIGERATOR)

CONNECTS TO INVERTER (LOCATED IN SIDE ENT CTR CABT)

CONNECTS TO FURNACE (LOCATED BELOW REFRIGERATOR)

CONNECTS TO WATER HEATER (LOCATED BELOW REFRIGERATOR)

CONNECTS TO WIRE ASM-AUX HOLDING TANK (LOCATED BELOW BEDROOM)

CONNECTS TO WIRE ASM-CHASSIS (SHT 1,B-10) (LOCATED BELOW REFRIGERATOR)

CONNECTS TO MONITOR PANEL

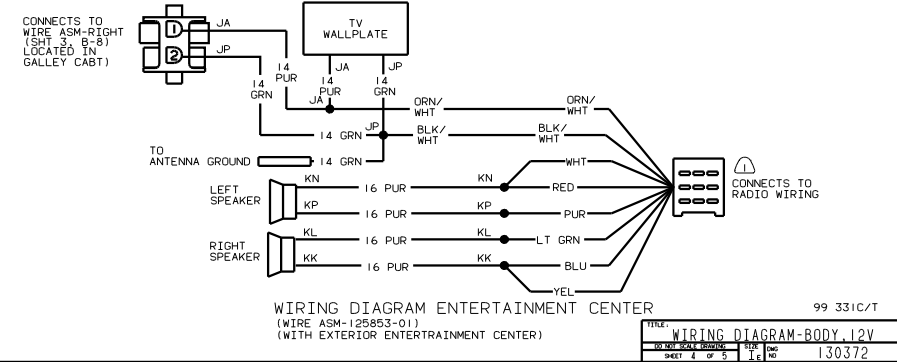
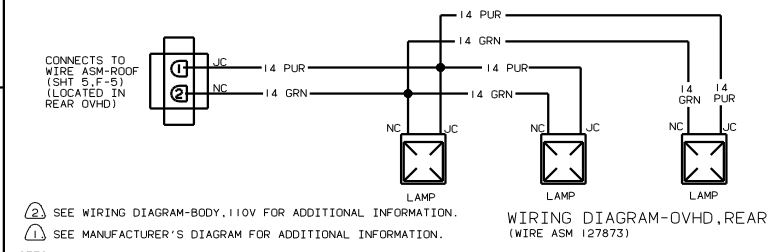
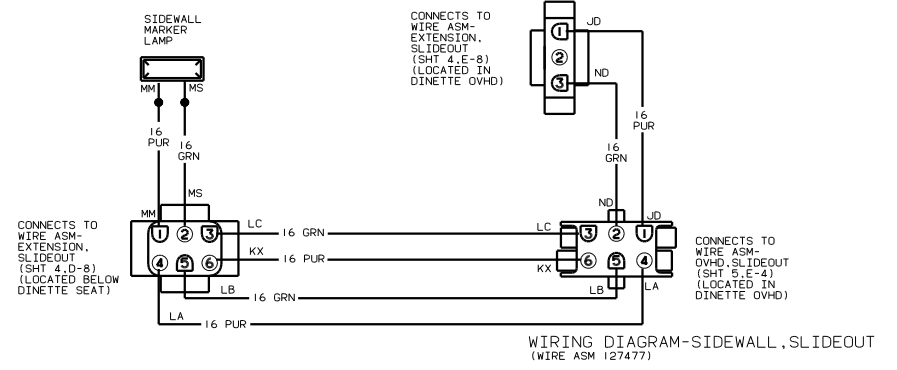
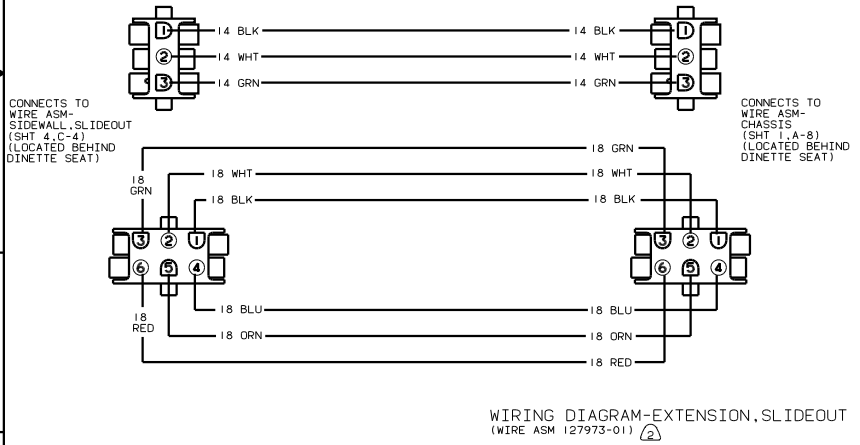
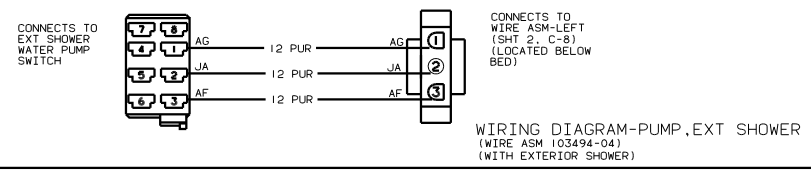
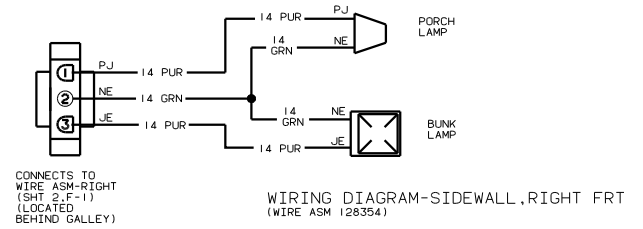
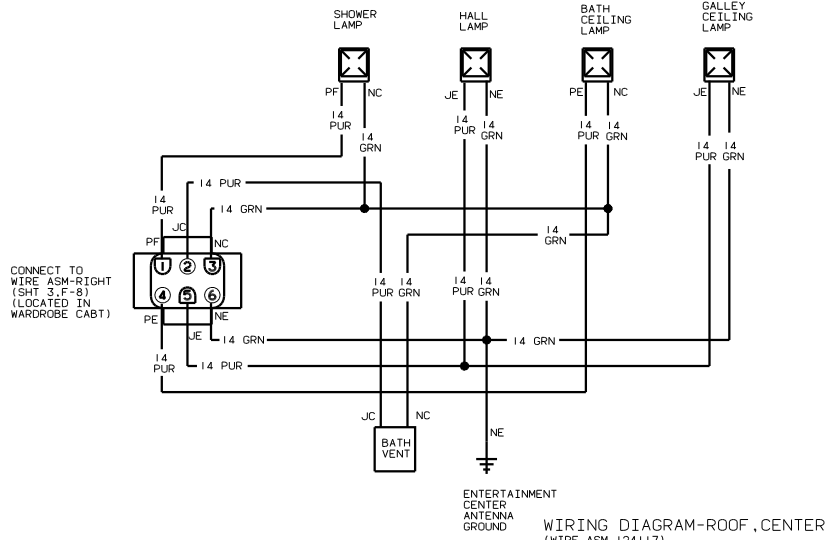
CONNECTS TO SLIDEOUT ROOM CONTROL SWITCH

CONNECTS TO BATTERY DISCONNECT SWITCH

CONNECTS TO WIRE ASM-ROOF REAR (SHT 5,G-8) (LOCATED BEHIND GALLEY OVHD)

CONNECTS TO WATER HEATER (LOCATED BELOW REFRIGERATOR)

- NOTES:
- ④ SEE MANUFACTURER'S DIAGRAM FOR ADDITIONAL INFORMATION.
  - ③ CHASSIS SUPPLIED.
  - ② SEE SHT 1 FOR ADDITIONAL INFORMATION
  - ① SEE WIRING INSTL-CHASSIS FOR FURTHER INFORMATION.



NOTES:  
 ② SEE WIRING DIAGRAM-BODY,110V FOR ADDITIONAL INFORMATION.  
 ① SEE MANUFACTURER'S DIAGRAM FOR ADDITIONAL INFORMATION.



