



DANGER

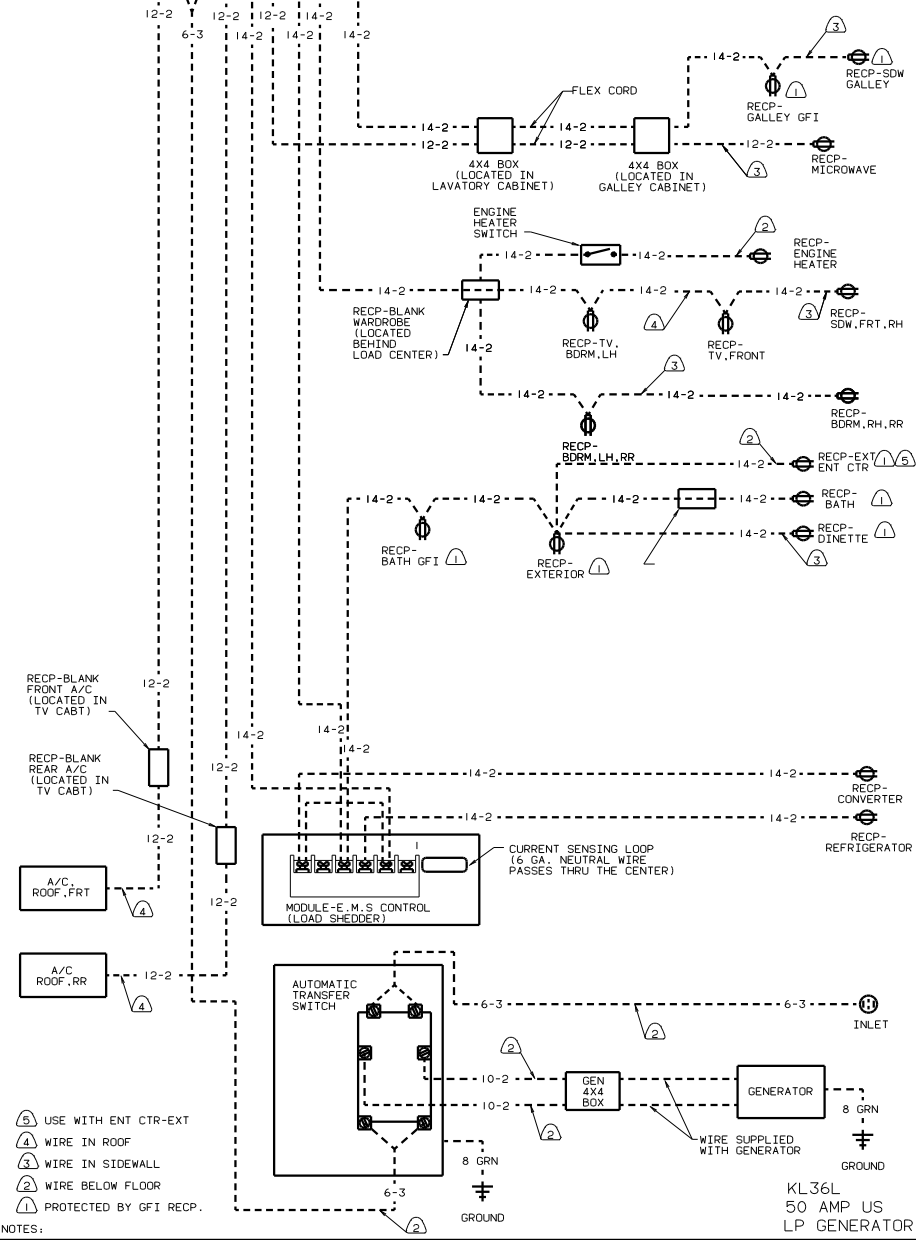
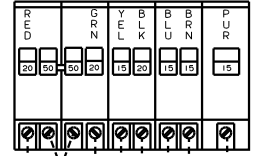
Danger of electrical shock, burns or death. Always remove all power sources before attempting any repair, service or diagnostic work. Power can be present from shore power, generator, inverter or battery. All power sources must be disabled and secured before performing any service.



CAUTION

If you lack the skills, tools or equipment to perform diagnostic or repair work leave such work to an authorized Winnebago Industries dealer or other qualified shop.

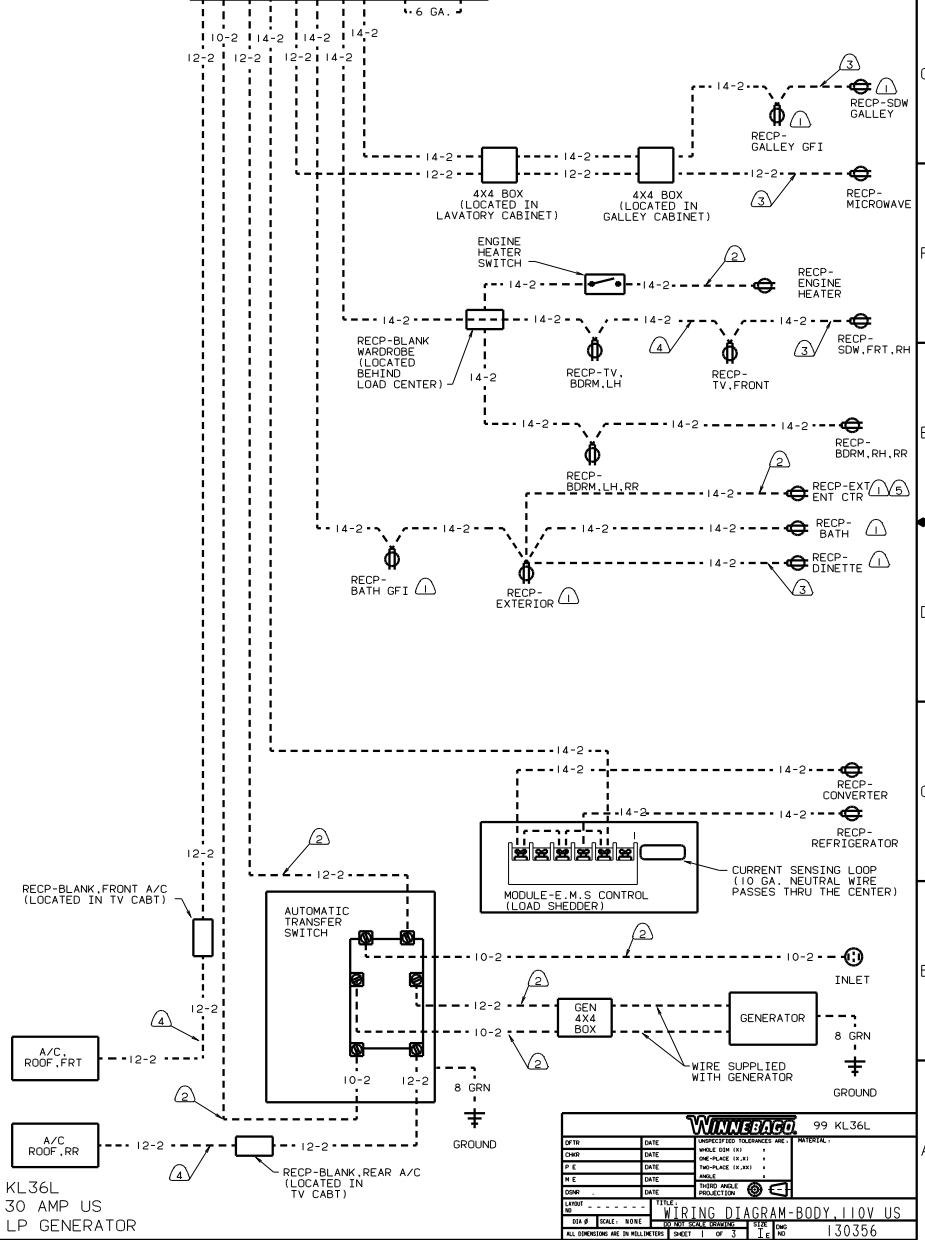
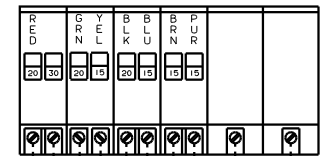
LOAD CENTER



- ⑤ USE WITH ENT CTR-EXT
- ④ WIRE IN ROOF
- ③ WIRE IN SIDEWALL
- ② WIRE BELOW FLOOR
- ① PROTECTED BY GFI RECP.

KL36L
50 AMP US
LP GENERATOR

LOAD CENTER



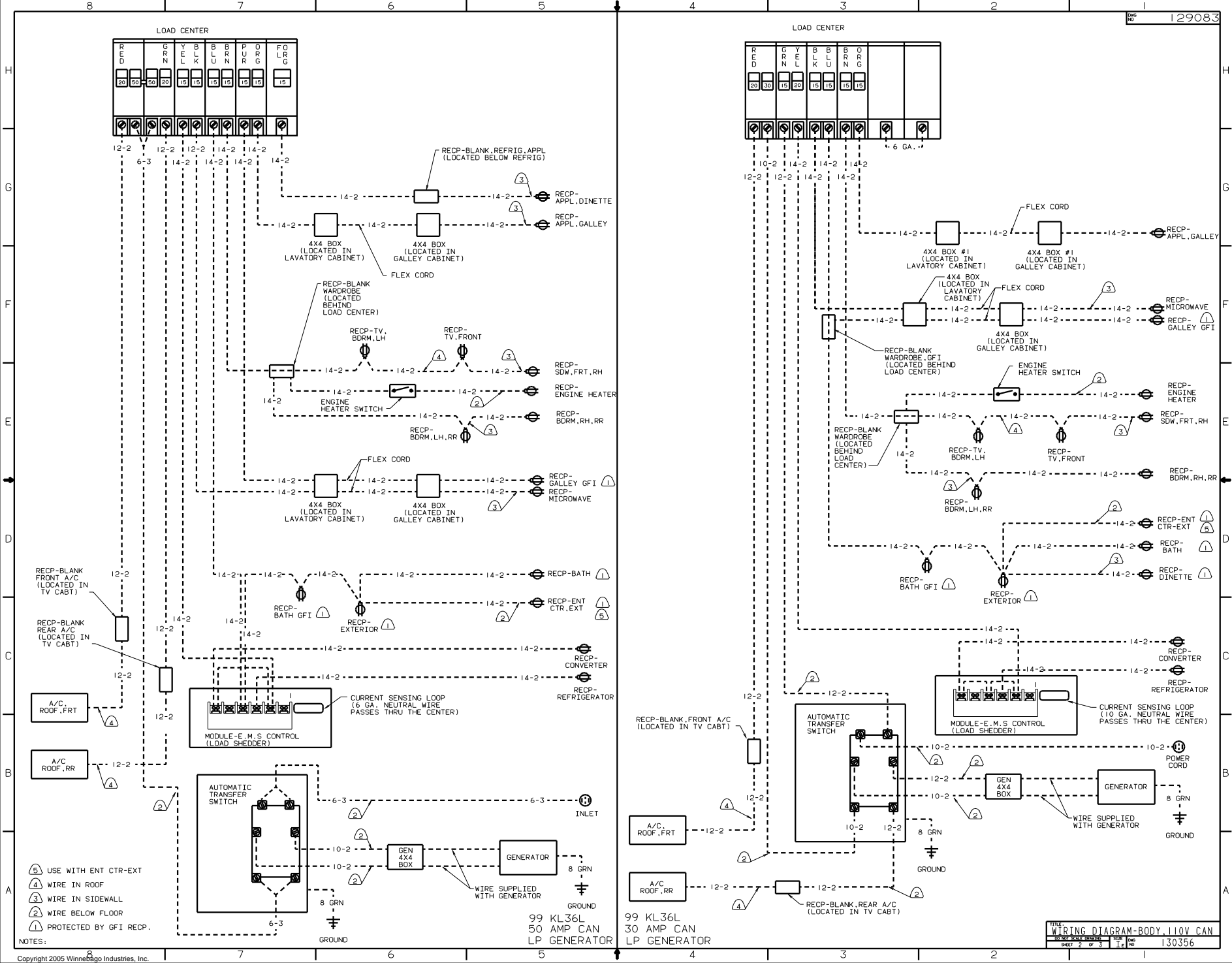
KL36L
30 AMP US
LP GENERATOR

WINNEBAGO 99 KL36L

OF IN	DATE	UNDESIGNED TOLERANCES ARE:	MATERIAL
CHKD	DATE	WHOLE OR 1/2	
DWG	DATE	ONE-PLACE (1/32)	
D/E	DATE	TWO-PLACE (1/64)	
DATE	DATE	ANGLE	
COMP	DATE	INDIC. WHOLE	
		INDIC. 1/2	

PROJECT: **WIRING DIAGRAM-BODY, L10V US**

SHEET 1 OF 3



LOAD CENTER

LOAD CENTER

99 KL36L
50 AMP CAN
LP GENERATOR

99 KL36L
30 AMP CAN
LP GENERATOR

- ⑤ USE WITH ENT CTR-EXT
- ④ WIRE IN ROOF
- ③ WIRE IN SIDEWALL
- ② WIRE BELOW FLOOR
- ① PROTECTED BY GFI RECP.

