



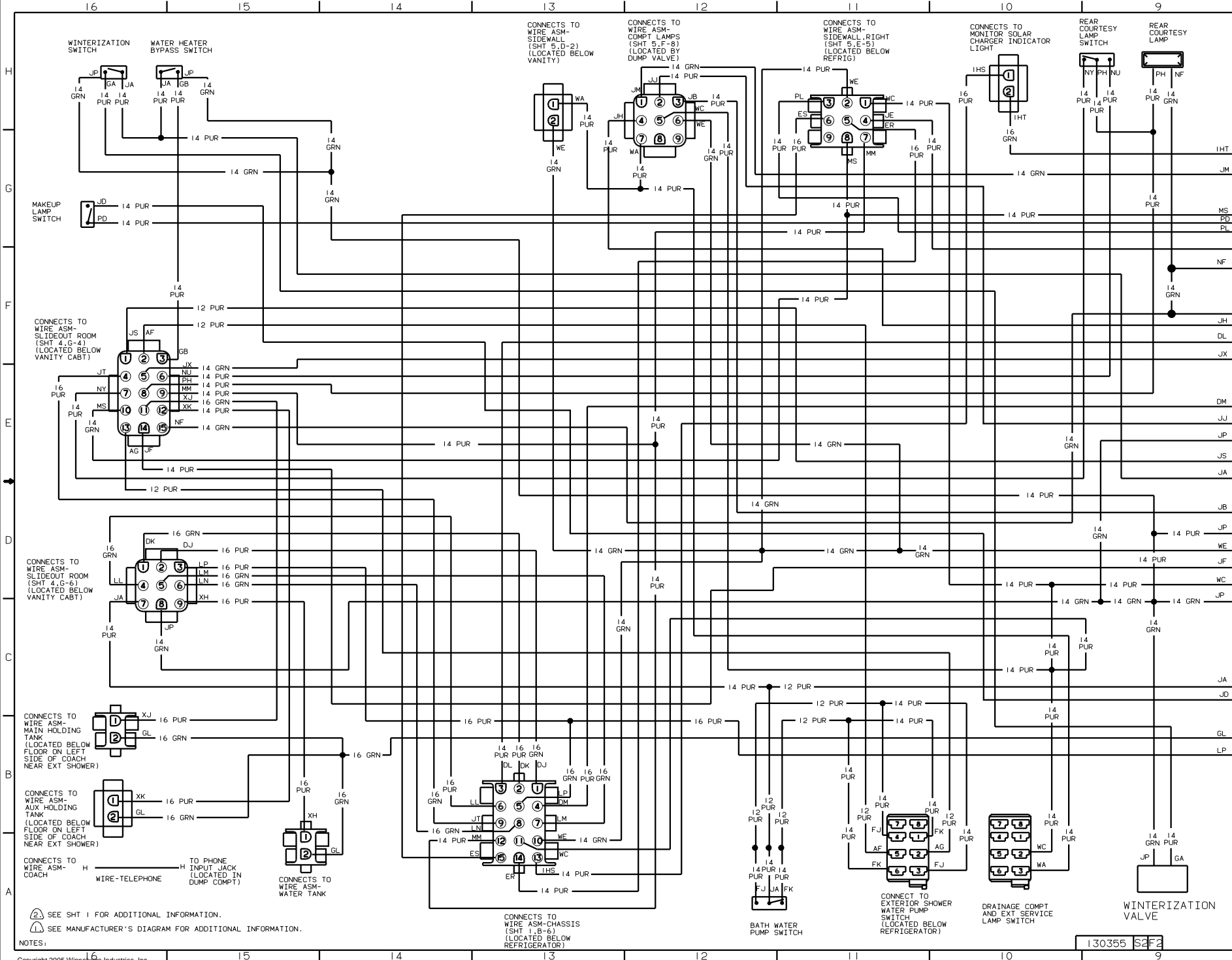
DANGER

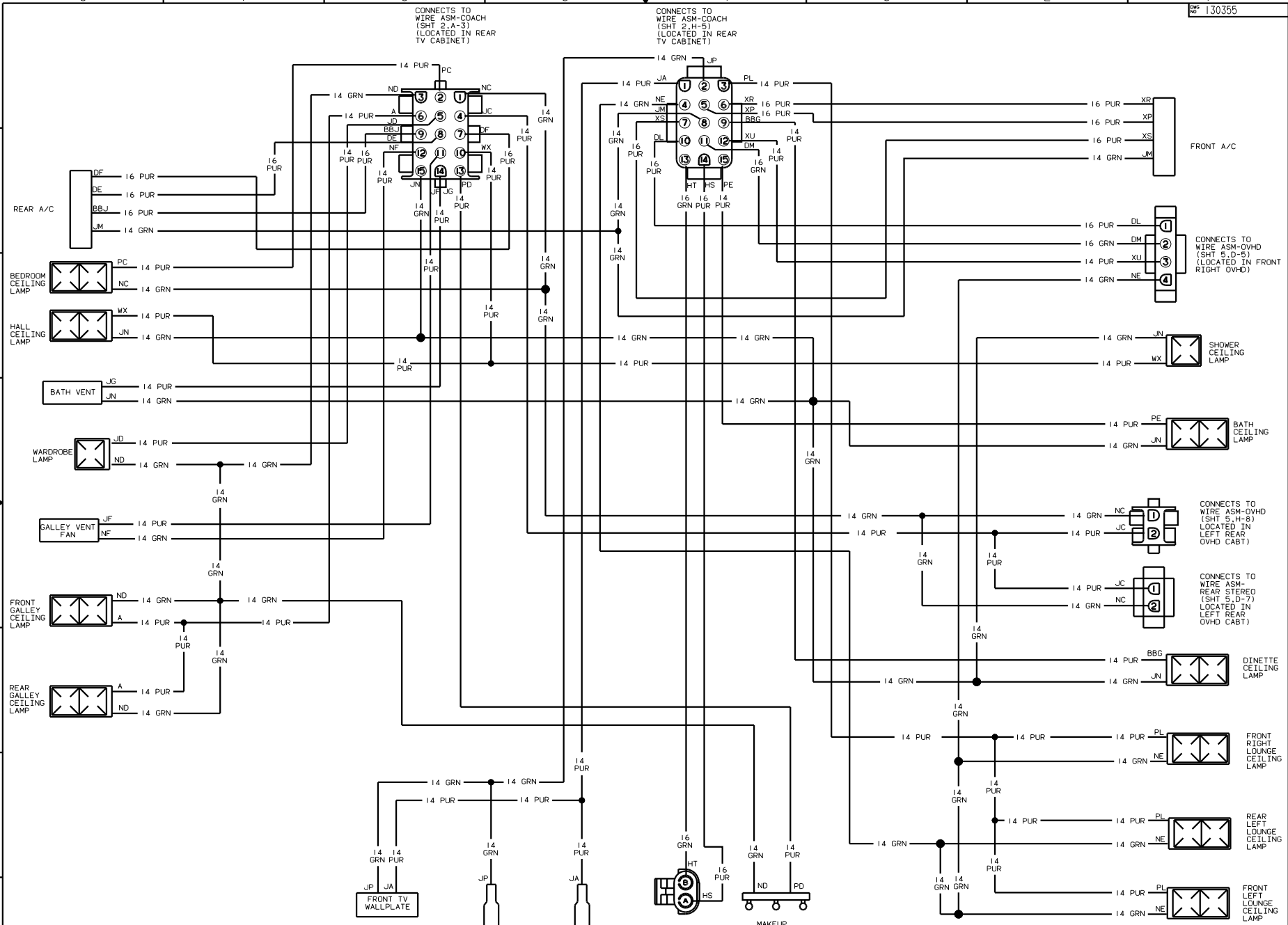
Danger of electrical shock, burns or death. Always remove all power sources before attempting any repair, service or diagnostic work. Power can be present from shore power, generator, inverter or battery. All power sources must be disabled and secured before performing any service.



CAUTION

If you lack the skills, tools or equipment to perform diagnostic or repair work leave such work to an authorized Winnebago Industries dealer or other qualified shop.

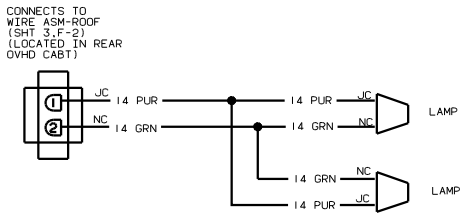




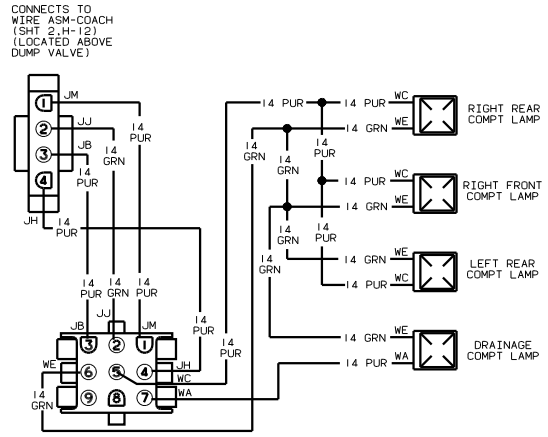
② SEE WIRING DIAGRAM-AUTO FOR ADDITIONAL INFORMATION.
 ⚠ WITH BEDROOM TV OPTION SEE SHT 5.C-2 FOR TV SWITCH WIRING.

WIRING DIAGRAM-ROOF (WIRE ASM 127000)

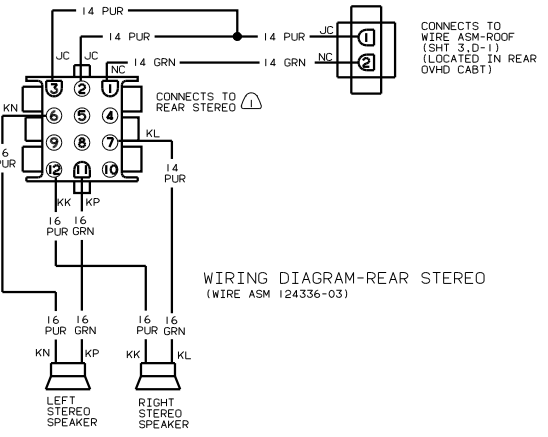
99 KL36L-PUSHER	
FILE NO.	WIRING DIAGRAM-BODY_12V
NO. OF SHEETS	16
SHEET NO.	3 OF 6
DATE	1.6
NO.	130355



WIRING DIAGRAM-OVHD
(WIRE ASM-122279-10)

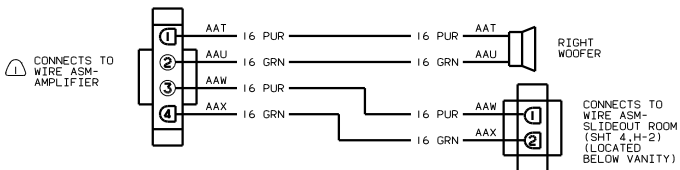


WIRING DIAGRAM-COMPT LAMPS
(ROUTED IN FLOOR)
(WIRE ASM 126039)

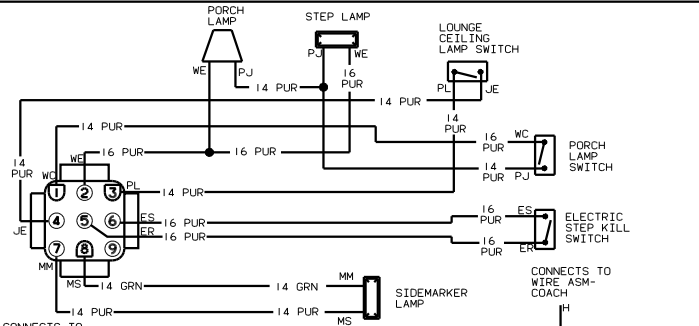


WIRING DIAGRAM-REAR STEREO
(WIRE ASM 124336-03)

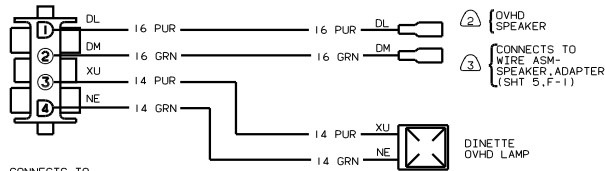
- ④ WITH BEDROOM TV
- ③ WITH DELUXE SOUND.
- ② WITHOUT DELUXE SOUND.
- ① SEE WIRING DIAGRAM-AUTO FOR ADDITIONAL INFORMATION.



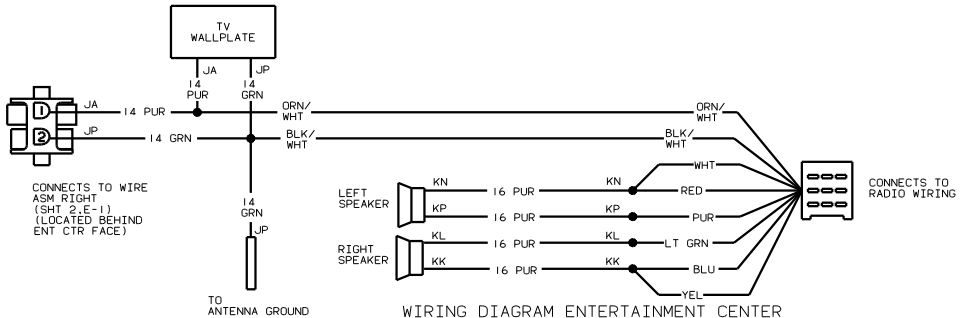
③ WIRING DIAGRAM-SPEAKER, DELUXE EXE
(WIRE ASM-126087-02)



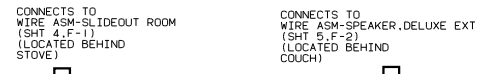
WIRING DIAGRAM-SIDEWALL, RIGHT
(WIRE ASM 126100)



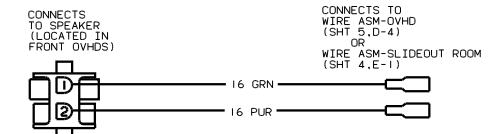
WIRING DIAGRAM OVHD
(WIRE ASM 126025)



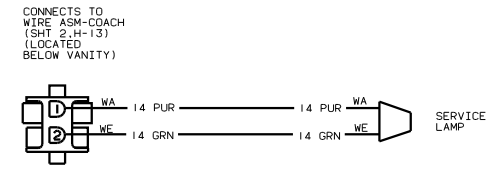
WIRING DIAGRAM ENTERTAINMENT CENTER
(WIRE ASM-125853-01)
(WIRE ASM-125853-03)
(WITH EXTERIOR ENTERTAINMENT CENTER)



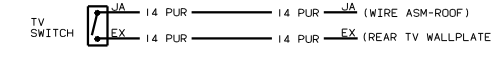
③ WIRING DIAGRAM-SIDEWALL, LEFT
(WIRE ASM-125866-01)



③ WIRING DIAGRAM-SPEAKER, ADAPTER
(WIRE ASM-124843-01)

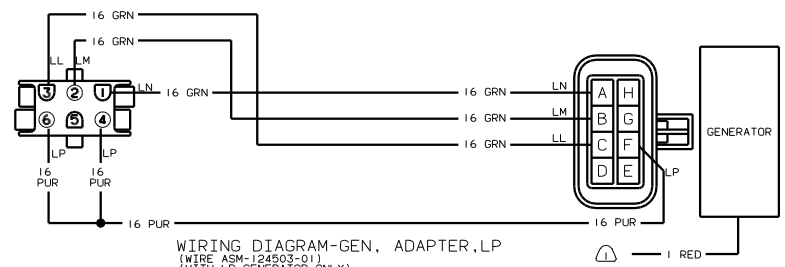


WIRING DIAGRAM-SIDEWALL
(WIRE ASM-77093-13)



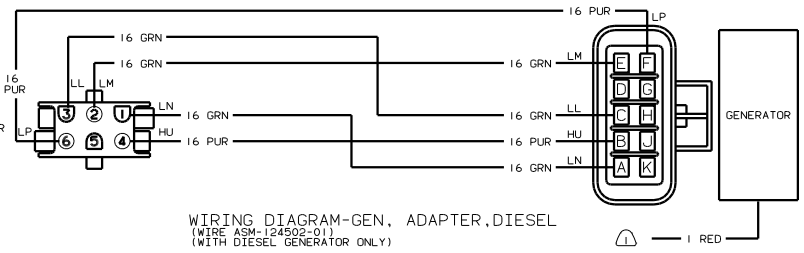
④ WIRING DIAGRAM TV, SWITCH
(WIRE ASM 126819)

H
CONNECTS TO
WIRE ASM-
CHASSIS
(SHT 1, B-4)
(LOCATED NEAR
GENERATOR
COMPARTMENT)



WIRING DIAGRAM-GEN, ADAPTER,LP
(WIRE ASM-124503-01)
(WITH LP GENERATOR ONLY)

F
CONNECTS TO
WIRE ASM-
CHASSIS
(SHT 1, B-4)
(LOCATED NEAR
GENERATOR
COMPARTMENT)



WIRING DIAGRAM-GEN, ADAPTER,DIESEL
(WIRE ASM-124502-01)
(WITH DIESEL GENERATOR ONLY)

SEE SHEET 1 FOR ADDITIONAL INFORMATION.

NOTES:

99 KL36L,PUSHER

TITLE: WIRING DIAGRAM-BODY_12V		DATE:	1.1
BY: J.E.	CHK: J.E.	NO:	130355
SHEET 6 OF 6			