



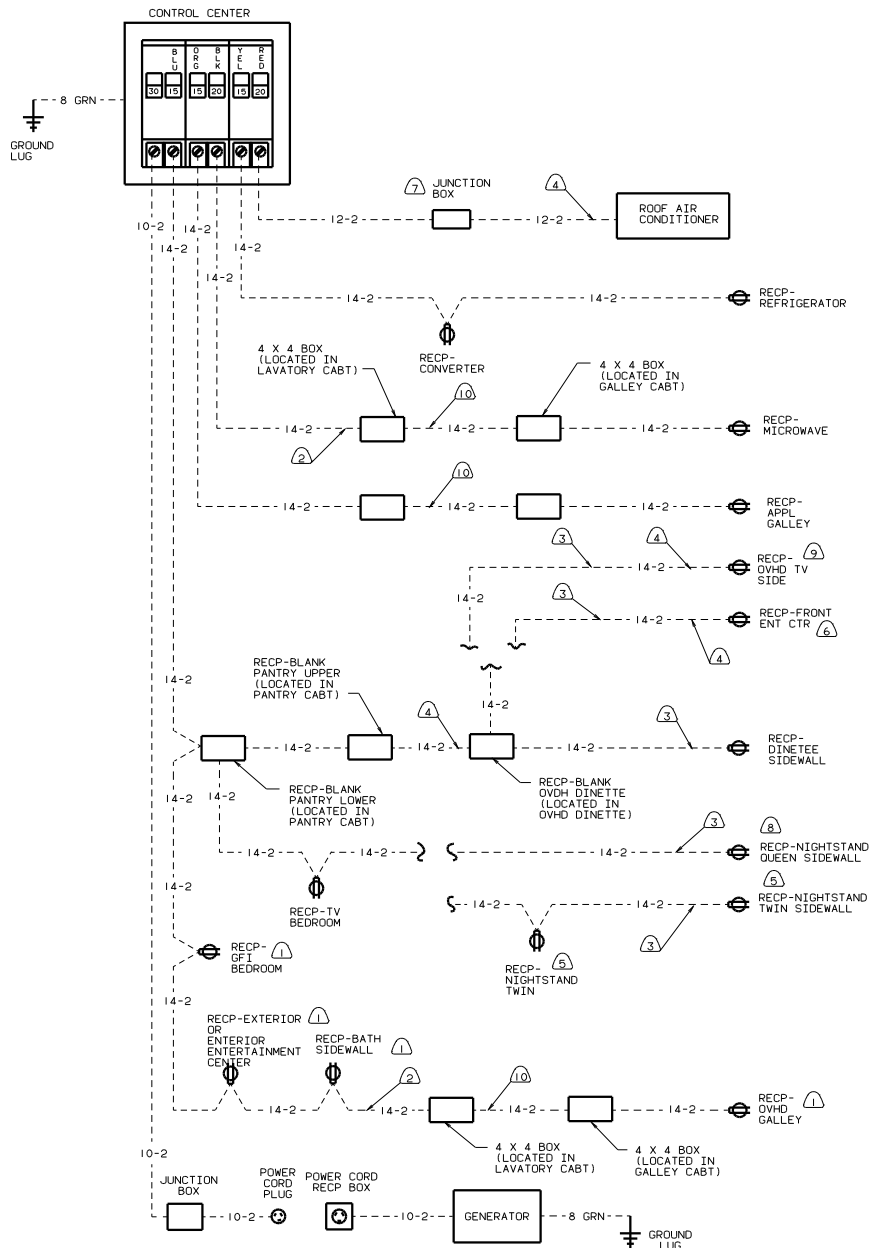
DANGER

Danger of electrical shock, burns or death. Always remove all power sources before attempting any repair, service or diagnostic work. Power can be present from shore power, generator, inverter or battery. All power sources must be disabled and secured before performing any service.



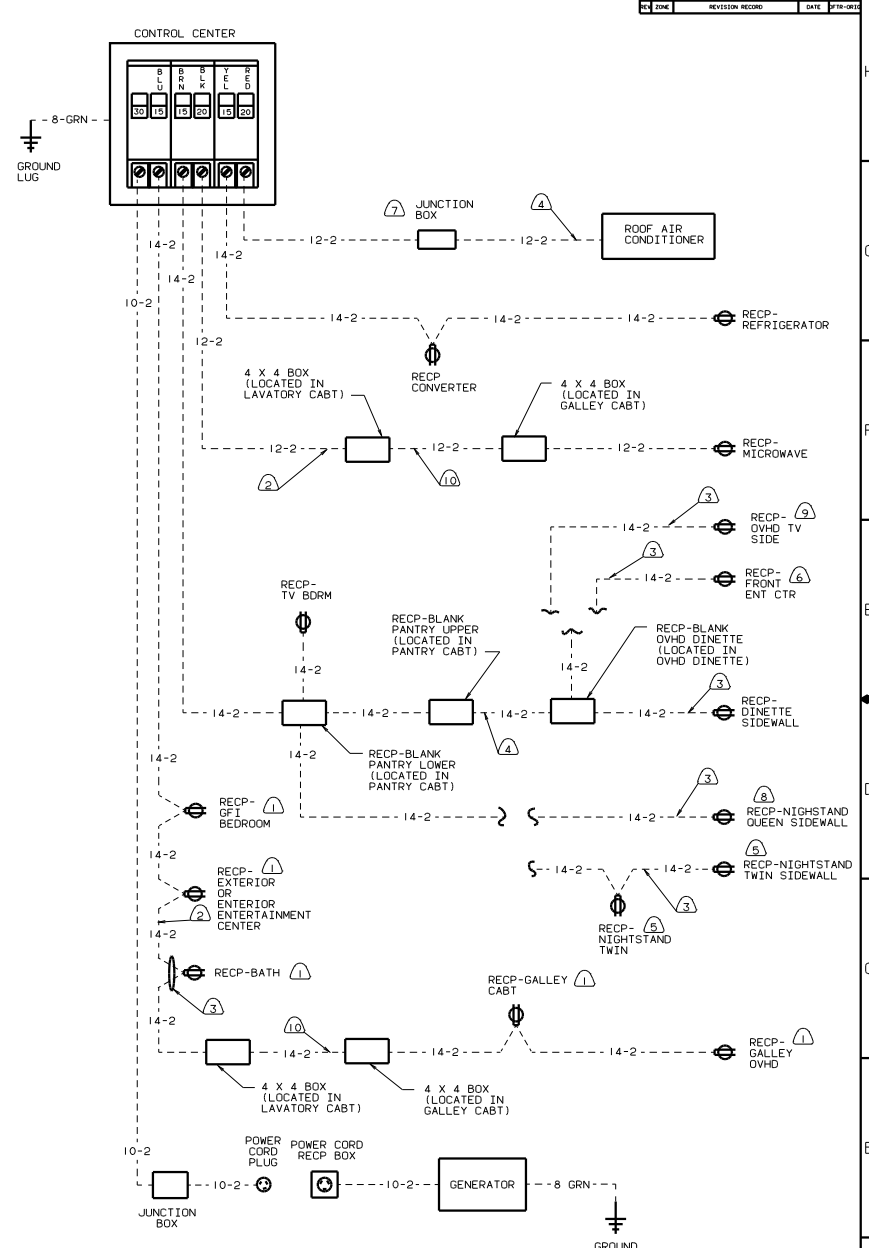
CAUTION

If you lack the skills, tools or equipment to perform diagnostic or repair work leave such work to an authorized Winnebago Industries dealer or other qualified shop.



265 CODES/STANDARDS-CSA/CMVSS

- ⑥ 210 TV-19" W/VCR/SWITCHING SYSTEM OR 42T TV-19" W/SW-SYS.
- ⑤ 45G BED-TWIN
- ④ WIRE ROUTED IN ROOF.
- ③ WIRE ROUTED IN SIDEWALL
- ② WIRE ROUTED THRU FLOOR
- ① PROTECTED BY GFI OUTLET.
- ⑩ FLEXIBLE CORD TO SLIDEOUT.
- ⑨ NOT USED WITH 78A TV-13" W/VCP 12V 42T TV-19" W/SW SYS OR 210 TV-19" W/VCR/SWITCHING SYSTEM.
- ⑧ 44X BED-QUEEN CENTERED.
- ⑦ NOT USE WITH 250. A/C-ROOF, ONE 14800



IBI USA STANDARDS

12D ELECTRICAL SYS-30 AMP

WINNEBAGO 99 430V

OF IN	DATE	UNDESIGNED TOLERANCES ARE	MATERIAL
CHP	DATE	ONE-PLACE (R.21)	
D/E	DATE	TWO-PLACE (R.20)	
D/E	DATE	MISC.	
COMP	DATE	INDG. W/OLE PRODUCTION	

LANE # _____ TITLE _____

REV # _____ SCALE: NONE _____ TO THE SCALE SHOWN _____ THIS DOC. NO. _____

ALL DIMENSIONS ARE IN MILLIMETERS SHEET 1 OF 1 130227