



**DANGER**

**Danger of electrical shock, burns or death.** Always remove all power sources before attempting any repair, service or diagnostic work. Power can be present from shore power, generator, inverter or battery. All power sources must be disabled and secured before performing any service.



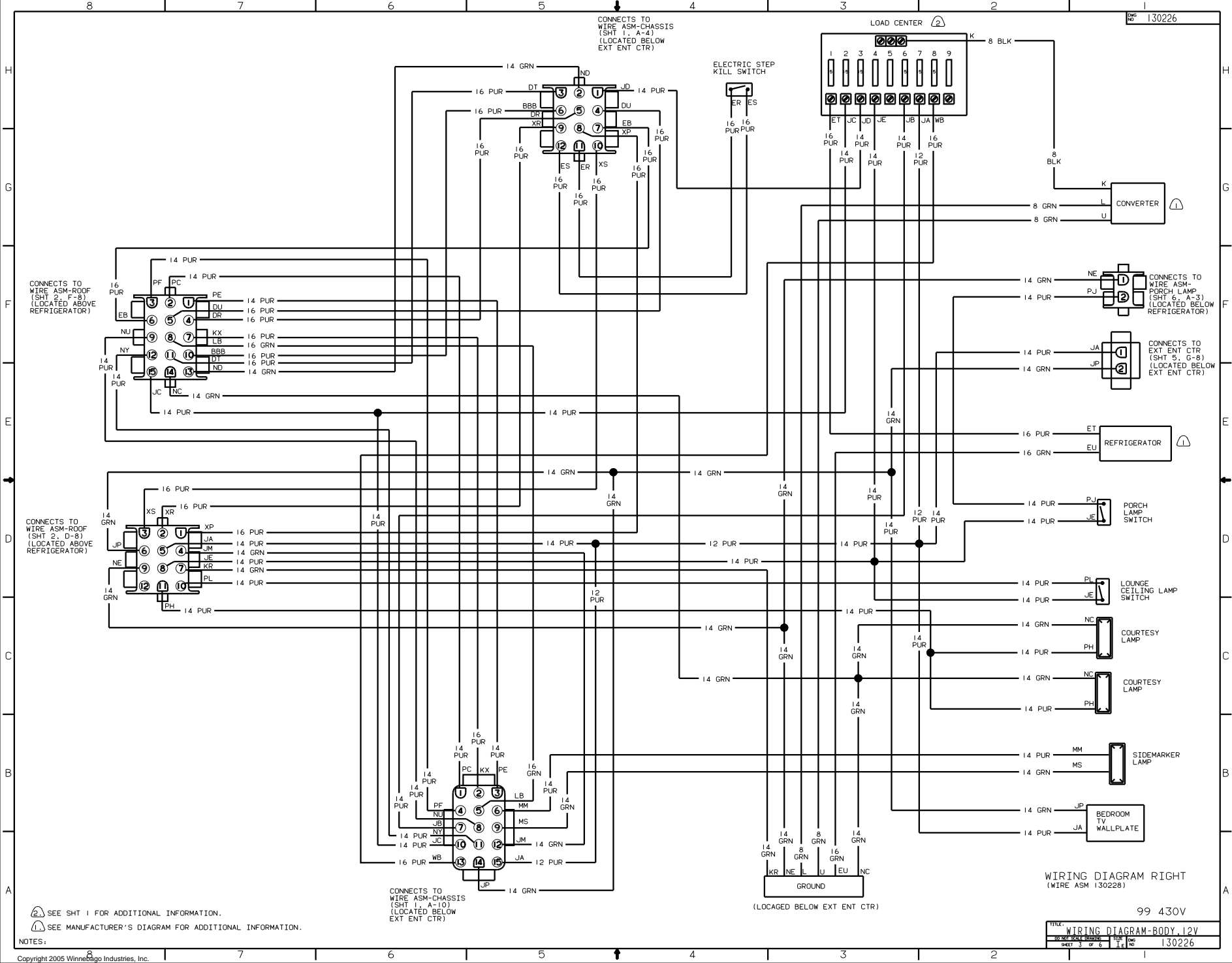
**CAUTION**

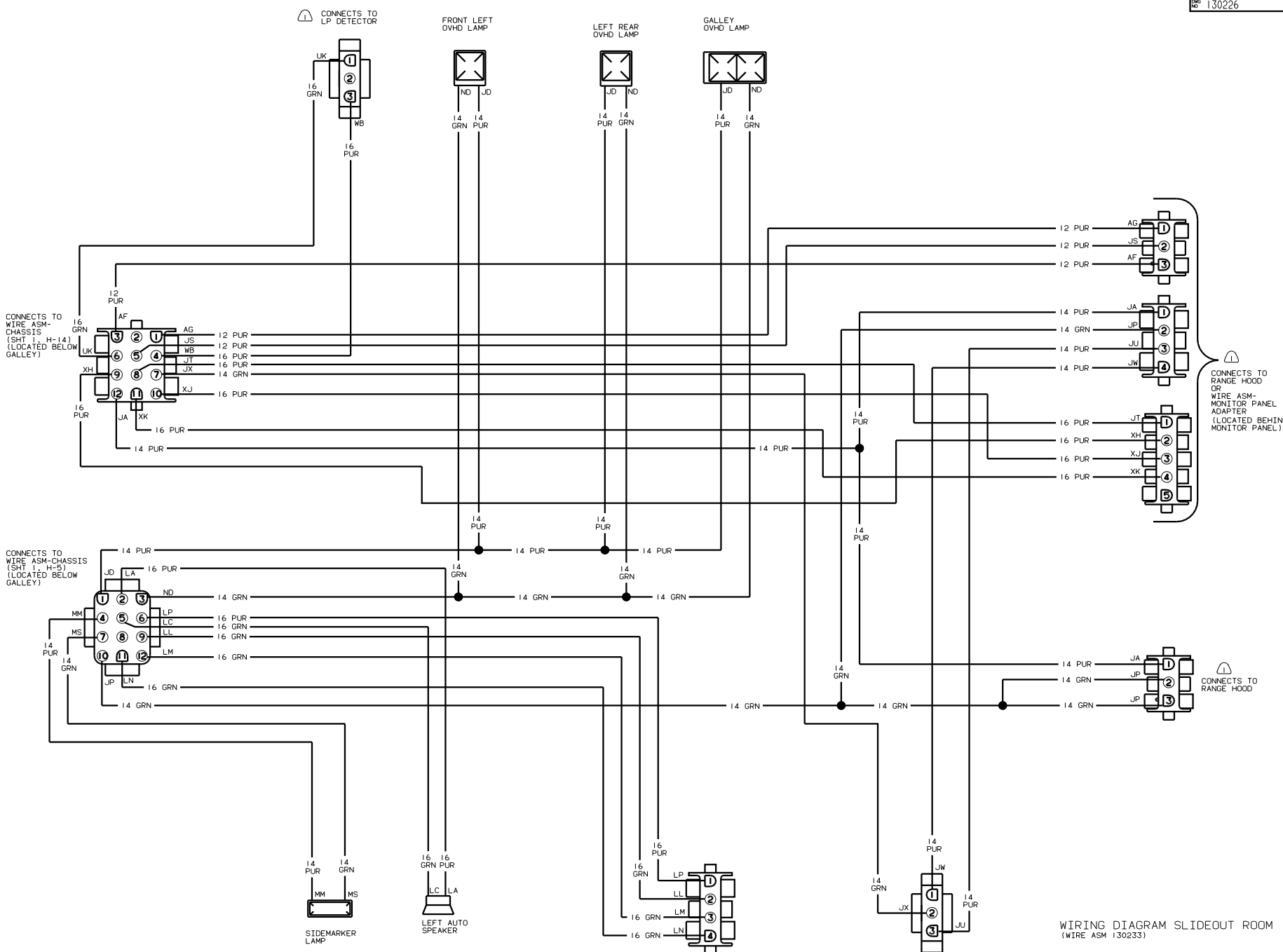
If you lack the skills, tools or equipment to perform diagnostic or repair work leave such work to an authorized Winnebago Industries dealer or other qualified shop.









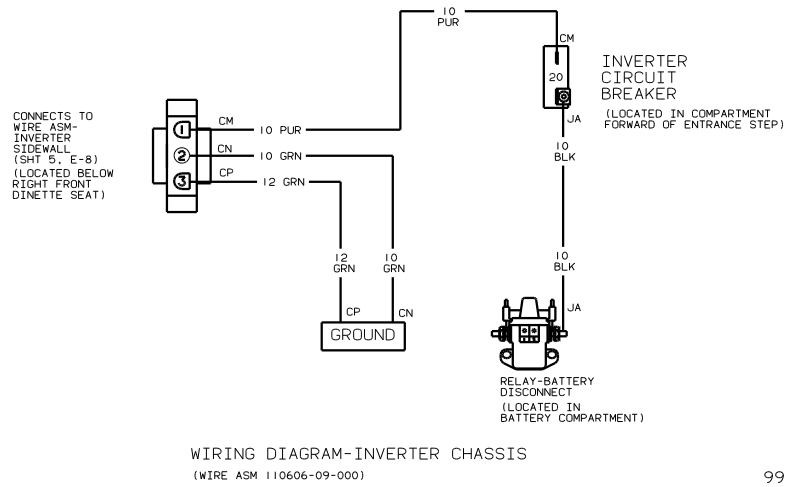
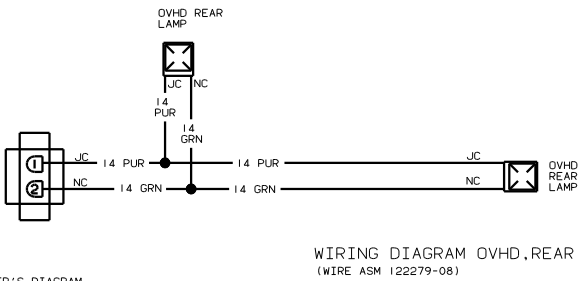
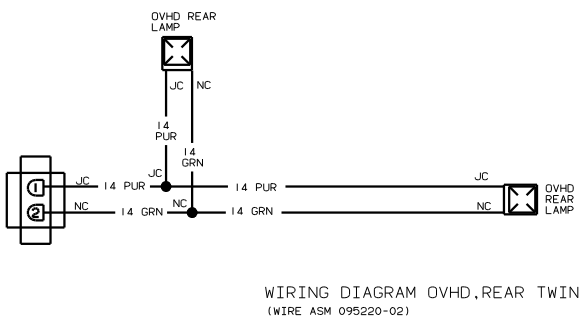
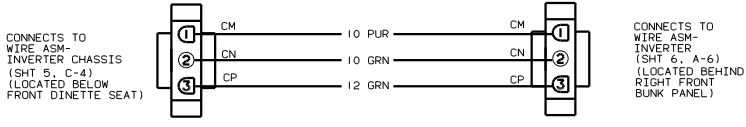
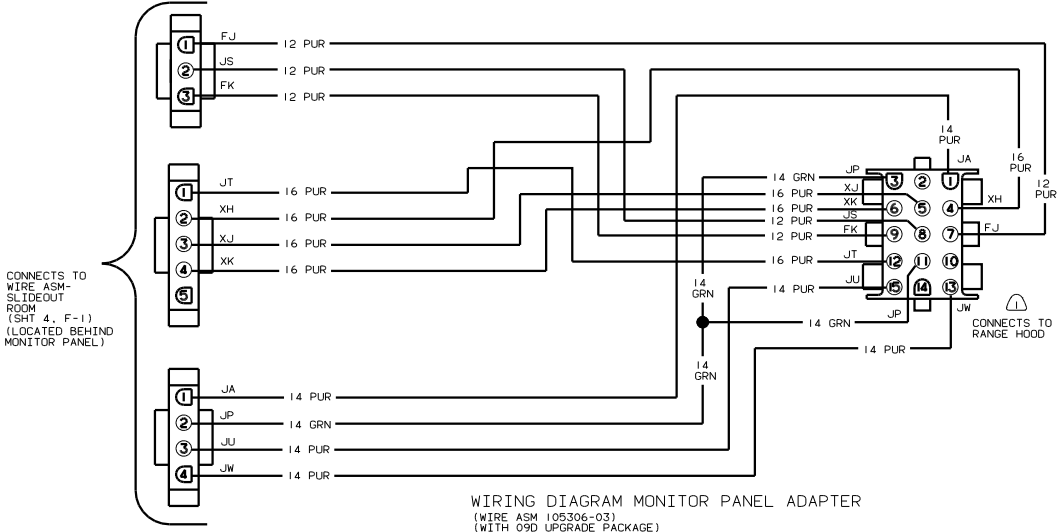
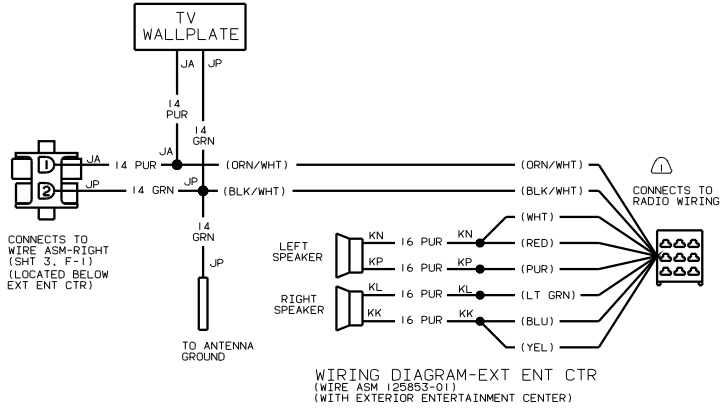


NOTES: SEE MANUFACTURER'S DIAGRAM FOR ADDITION INFORMATION.

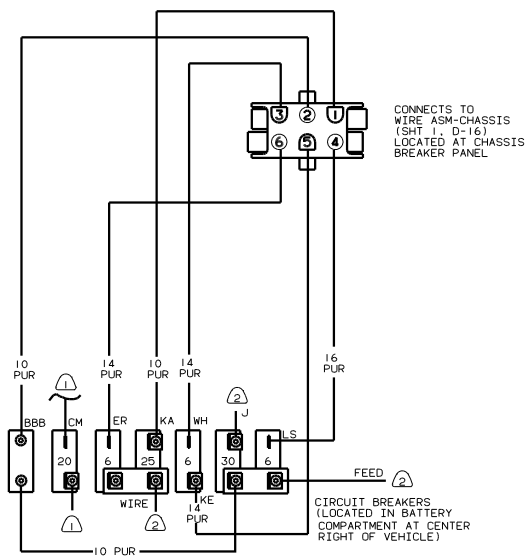
WIRING DIAGRAM SLIDEOUT ROOM (WIRE ASM 130233)

99 430V

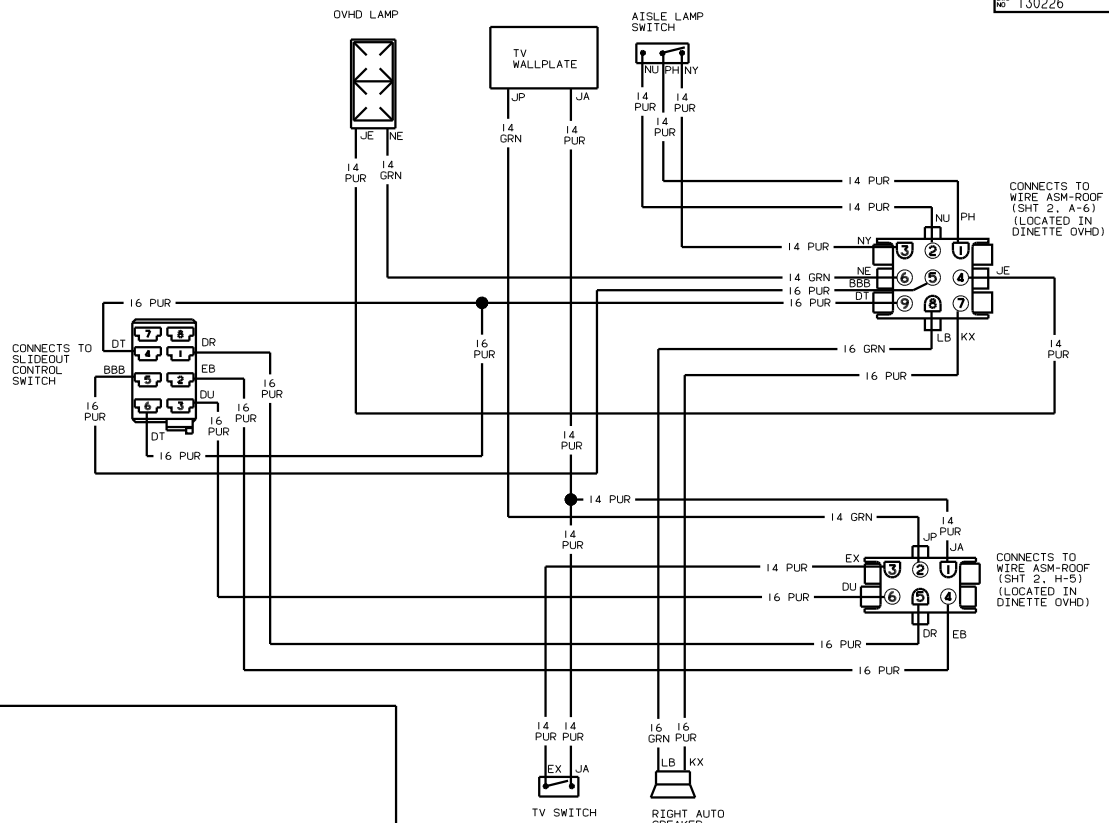
TITLE: WIRING DIAGRAM-BODY_12V	
30 DAY SCALE DRAWING	DATE: 1/6
SHEET 4 OF 6	FIG. NO. 130226



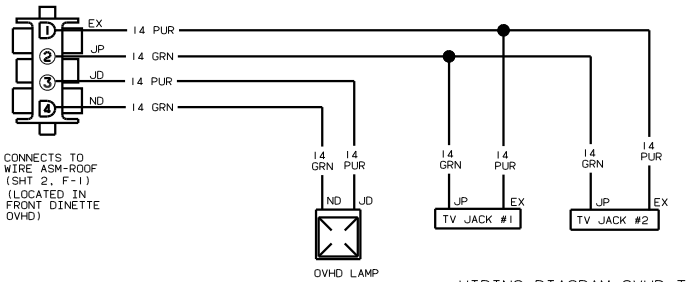
SEE MANUFACTURER'S DIAGRAM FOR ADDITIONAL INFORMATION.



WIRING DIAGRAM, PANEL BREAKERS (WIRE ASM 131799-01)

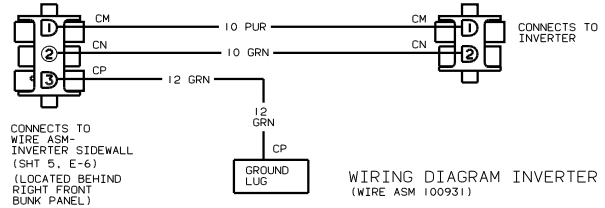


WIRING DIAGRAM OVHD (WIRE ASM 130232)

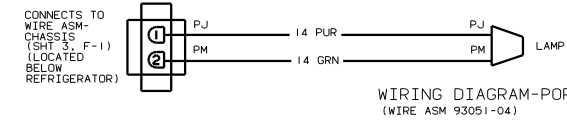


WIRING DIAGRAM OVHD, TV (WIRE ASM 128775)

WIRING DIAGRAM THERMOSTAT (WIRE ASM 117252)



WIRING DIAGRAM INVERTER (WIRE ASM 100931)



WIRING DIAGRAM-PORCH LAMP (WIRE ASM 93051-04)

② SEE SHEET 1, B-16 FOR ADDITIONAL INFORMATION.  
 ① SEE WIRING DIAGRAM-INVERTER, CHASSIS SHEET 5, G-4 FOR ADDITIONAL INFORMATION.