



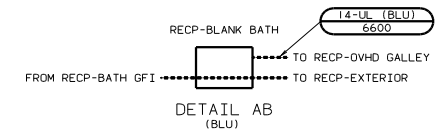
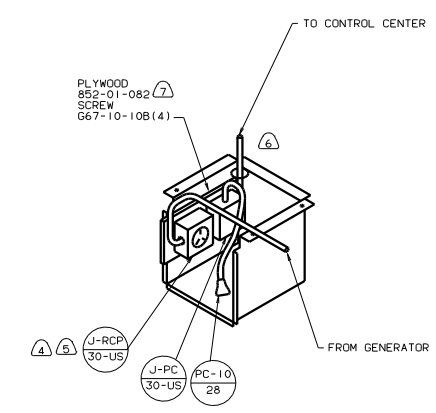
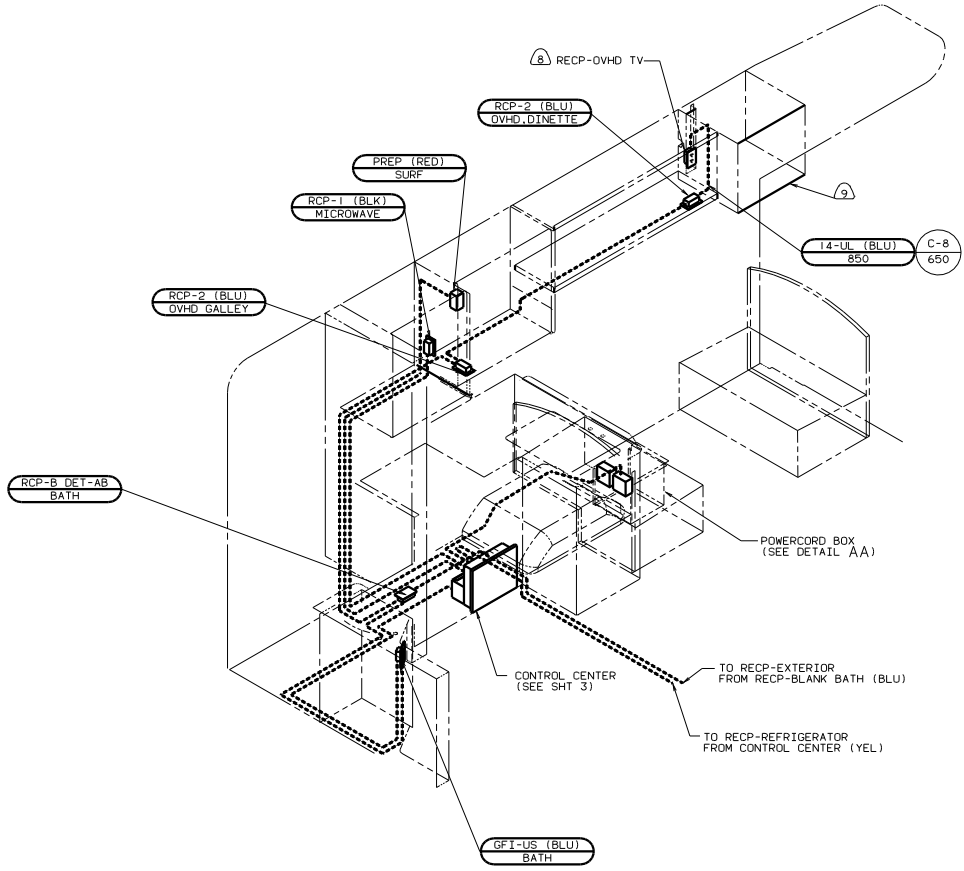
DANGER

Danger of electrical shock, burns or death. Always remove all power sources before attempting any repair, service or diagnostic work. Power can be present from shore power, generator, inverter or battery. All power sources must be disabled and secured before performing any service.



CAUTION

If you lack the skills, tools or equipment to perform diagnostic or repair work leave such work to an authorized Winnebago Industries dealer or other qualified shop.



- (9) SEE WIRING INSTL-TV/VCR. SIDE FOR ADDITIONAL INFORMATION.
 (8) NOT USED WITH 78A TV-13" W/VCP. 12V.
 (7) PAINT EXPOSED SURFACES BLACK WITH 106112-01-000.
 (6) SEAL WITH BEDDING COMPOUND 69639-01-000.
 (5) INSTALL RECP WITH GROUND TOWARD OUTBOARD SIDE OF VEHICLE.
 (4) 40N GEN-4.0KW, MICROLITE, GAS OR 38V GEN 3.3KW-ONAN-LP.
 3. ALL GROUND WIRES TO BE COVERED WITH TUBING 8041-02-000.
 2. ALL 110V WIRES ARE TO BE CLAMPED WITH CLAMP 10497-05-000 WITHIN 200 OF OUTLET BOXES USE SCREW G67-10-12B.
 1. ALL WIRES TO BE CLAMPED WITH CLAMP 10495-01-000 OR CLIP 80734-01-000 EVERY 1200. USE SCREW G67-10-12B UNLESS OTHERWISE SPECIFIED.

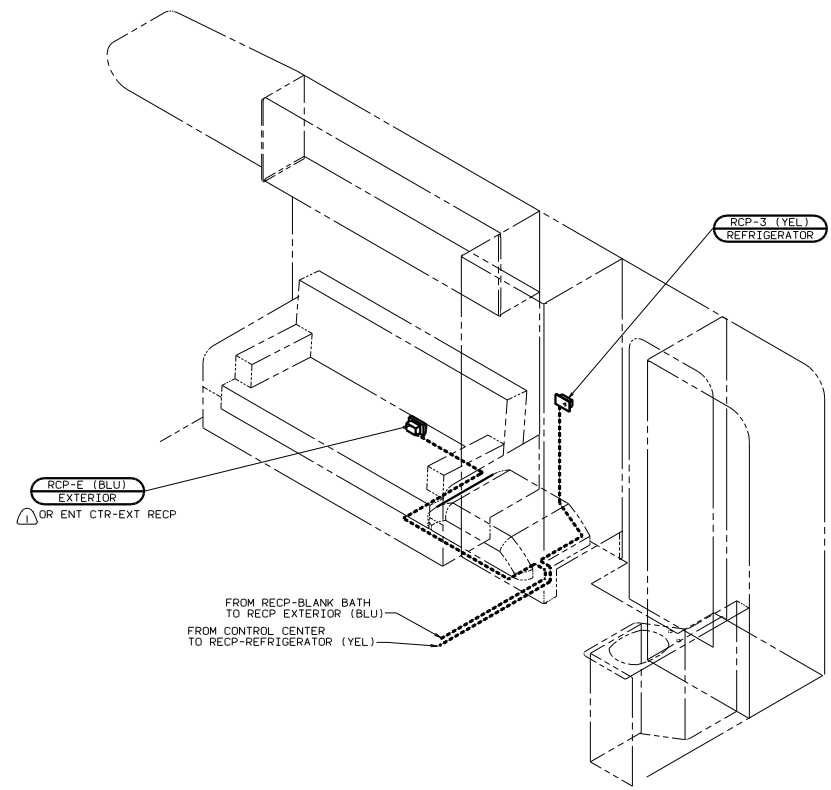
1B1 CODE STANDARDS-USA
 12D ELECTRICAL SYS-30 AMP

FOR ELECTRICAL TORQUE SPECIFICATIONS SEE DWG NO. 128783-01-000

FOR ELECTRICAL CALLOUTS SEE DWG NO. 121339-01-000

OF IT		DATE	UNSPECIFIED TOLERANCES ARE:	INTEGRITY
OMP	DATE	WHOLE DIM 101	ONE-PLACE (X.X1)	
DVE	DATE	HIGH-PLACE (X.XXX)	MILL	
D/E	DATE	ANGLE		
CODE	DATE	TRUNC. WHOLE PROJECTION		

WINNEBAGO 99 322R
 TITLE: WIRING INSTL-BODY (110130US)
 SHEET 1 OF 11
 REF: 127185-E 1



RCP-E (BLU)
EXTERIOR
OR ENT CTR-EXT RECP

RCP-3 (YEL)
REFRIGERATOR

FROM RECP-BLANK BATH
TO RECP-EXTERIOR (BLU)
FROM CONTROL CENTER
TO RECP-REFRIGERATOR (YEL)

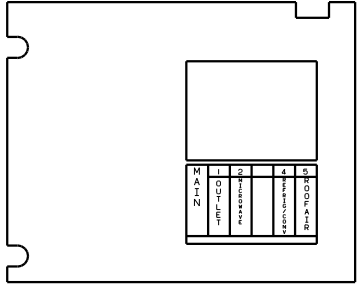
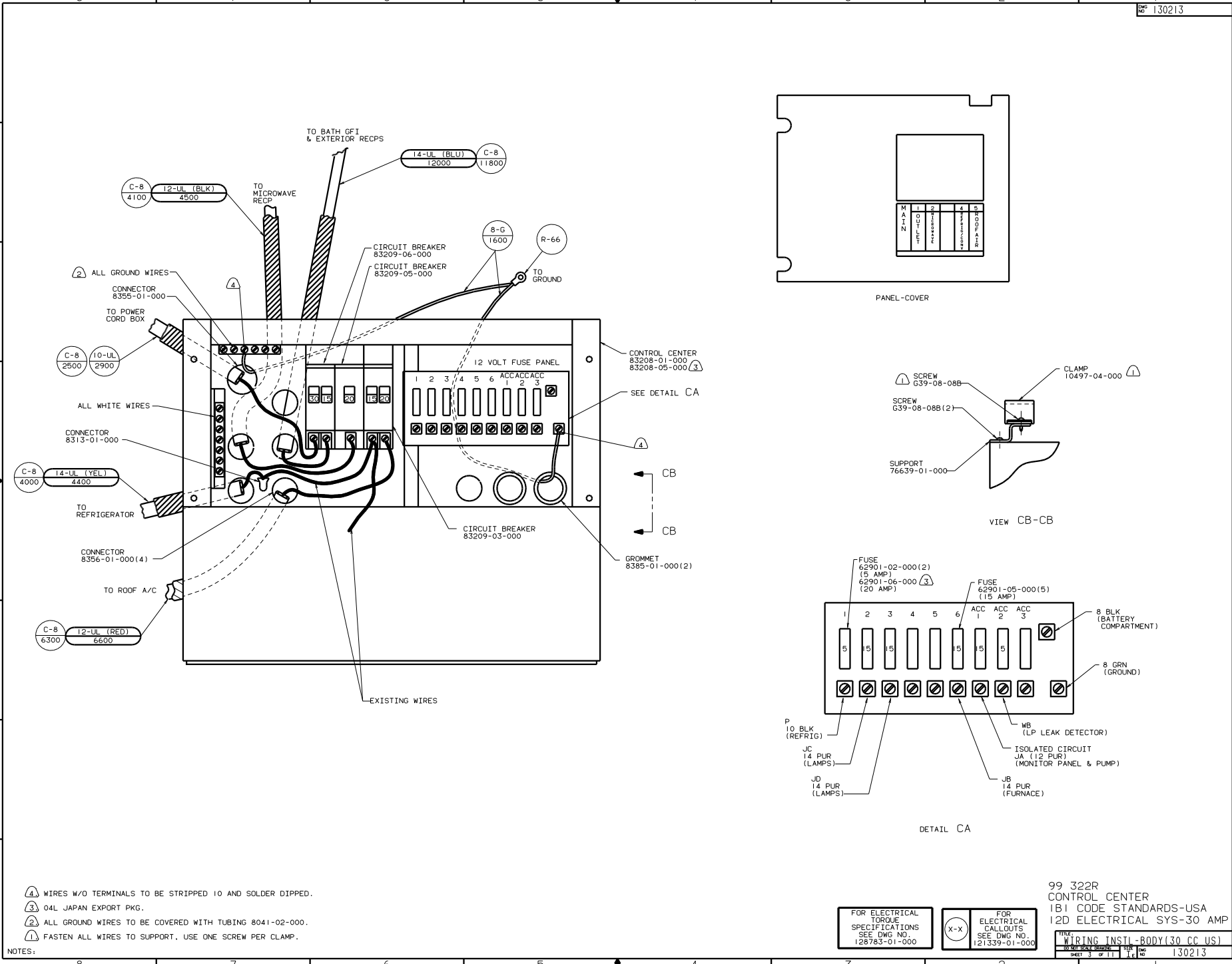
NOTES:
1. 76C ENTERTAINMENT CTR-EXT, W/CASSETTE, SEE ENTERTAINMENT CENTER COMPL FOR ADDITIONAL INFORMATION.

FOR ELECTRICAL
TORQUE
SPECIFICATIONS
SEE DWG NO.
128783-01-000

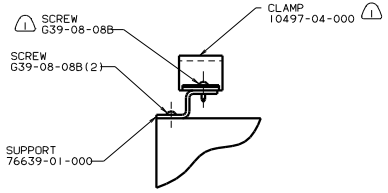
FOR
ELECTRICAL
CALLOUTS
SEE DWG NO.
121339-01-000

99 322R
IB1 CODE STANDARDS-USA
12D ELECTRICAL SYS-30 AMP

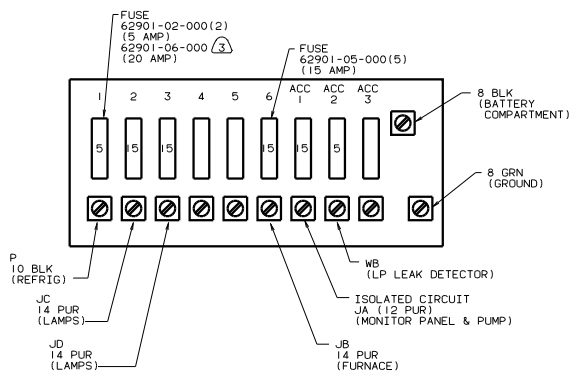
WIRING INSTL-BODY(11OR30US)
SHEET 2 OF 11



PANEL-COVER



VIEW CB-CB



DETAIL CA

- ④ WIRES W/O TERMINALS TO BE STRIPPED 10 AND SOLDER DIPPED.
- ③ 04L JAPAN EXPORT PKG.
- ② ALL GROUND WIRES TO BE COVERED WITH TUBING 8041-02-000.
- ① FASTEN ALL WIRES TO SUPPORT. USE ONE SCREW PER CLAMP.

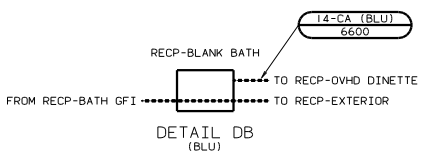
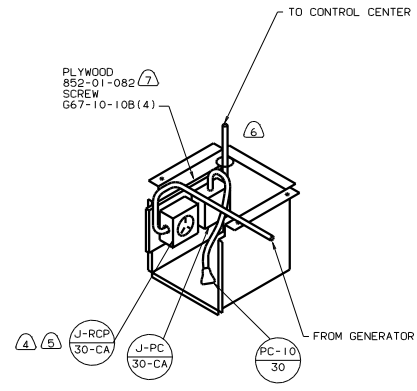
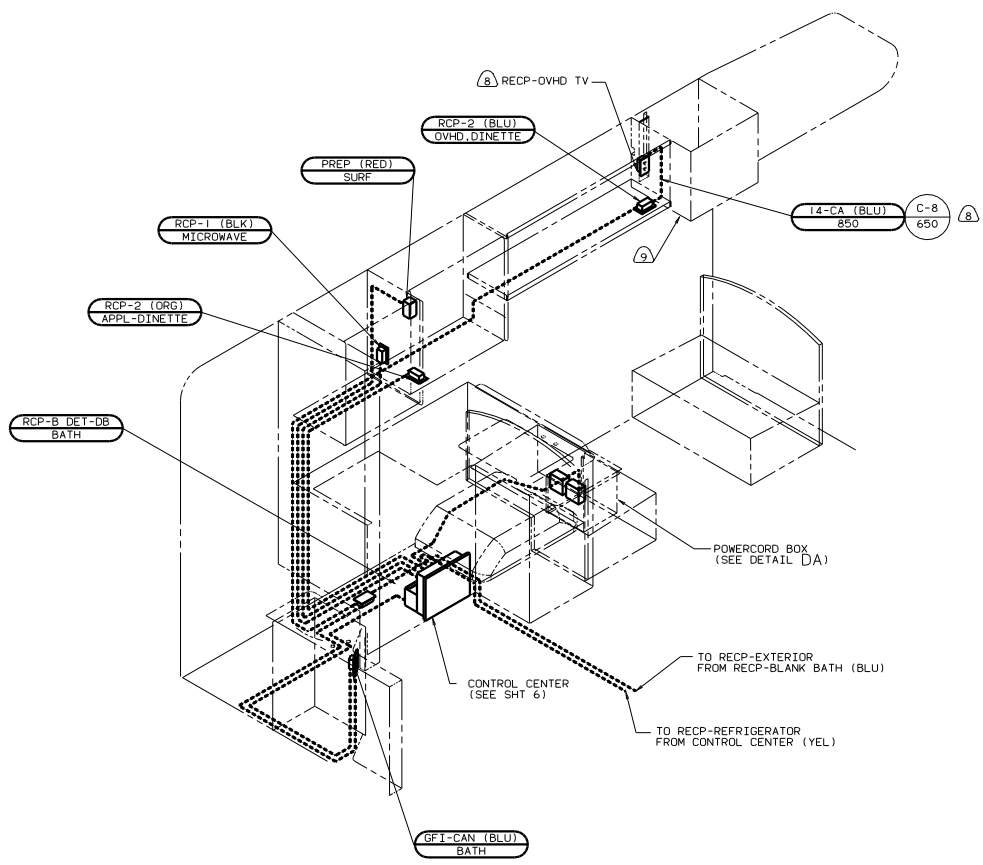
NOTES:

FOR ELECTRICAL TORQUE SPECIFICATIONS SEE DWG NO. 128783-01-000

FOR ELECTRICAL CALLOUTS SEE DWG NO. 121339-01-000

99 322R
CONTROL CENTER
IB1 CODE STANDARDS-USA
12D ELECTRICAL SYS-30 AMP

WIRING INSTL-BODY(30 CC US)



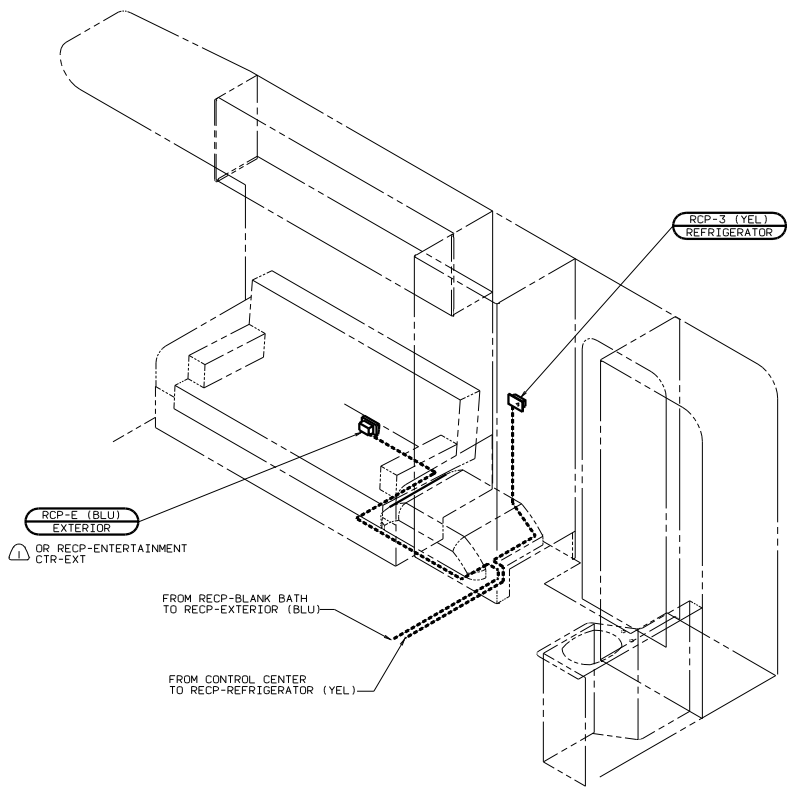
- 9) SEE WIRING INSTL-TV/VCR. SIDE FOR ADDITIONAL INFORMATION.
- 8) NOT USED WITH 78A TV-13" W/VCP. 12V.
- 7) PAINT EXPOSED SURFACES BLACK WITH 106112-01-000.
- 6) SEAL WITH BEDDING COMPOUND 69639-01-000.
- 5) INSTALL RECP WITH GROUND TOWARD OUTBOARD SIDE OF VEHICLE.
- 4) 40N GEN-4.0KW, MICROLITE, GAS OR 38V GEN 3.3KW-ONAN-LP.
3. ALL GROUND WIRES TO BE COVERED WITH TUBING 8041-02-000.
2. ALL 110V WIRES ARE TO BE CLAMPED WITH CLAMP 10495-05-000 WITHIN 200 OF OUTLET BOXES, USE SCREW 667-10-12B.
1. ALL WIRES TO BE CLAMPED WITH CLAMP 10495-01-000 OR CLIP 80734-01-000 EVERY 1200, USE SCREW 667-10-12B UNLESS OTHERWISE SPECIFIED.

FOR ELECTRICAL TORQUE SPECIFICATIONS SEE DWG NO. 128783-01-000

FOR ELECTRICAL CALLOUTS SEE DWG NO. 121339-01-000

99 322R
265 CODE STANDARDS-CSA
12D ELECTRICAL SYS-30 AMP

WIRING INSTL-BODY (110130CAN)
SHEET 4 OF 11
130213



1. 76C ENTERTAINMENT CTR-EXT - W/CASSETTE
SEE ENTERTAINMENT CENTER COMPL FOR ADDITIONAL INFORMATION.

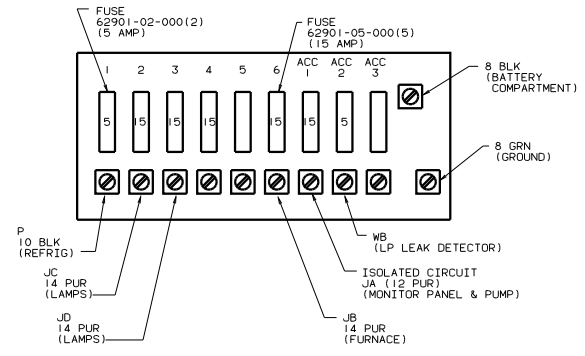
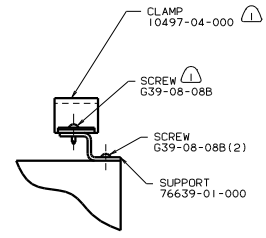
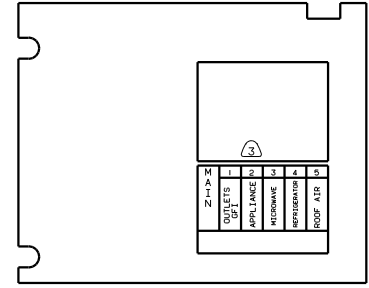
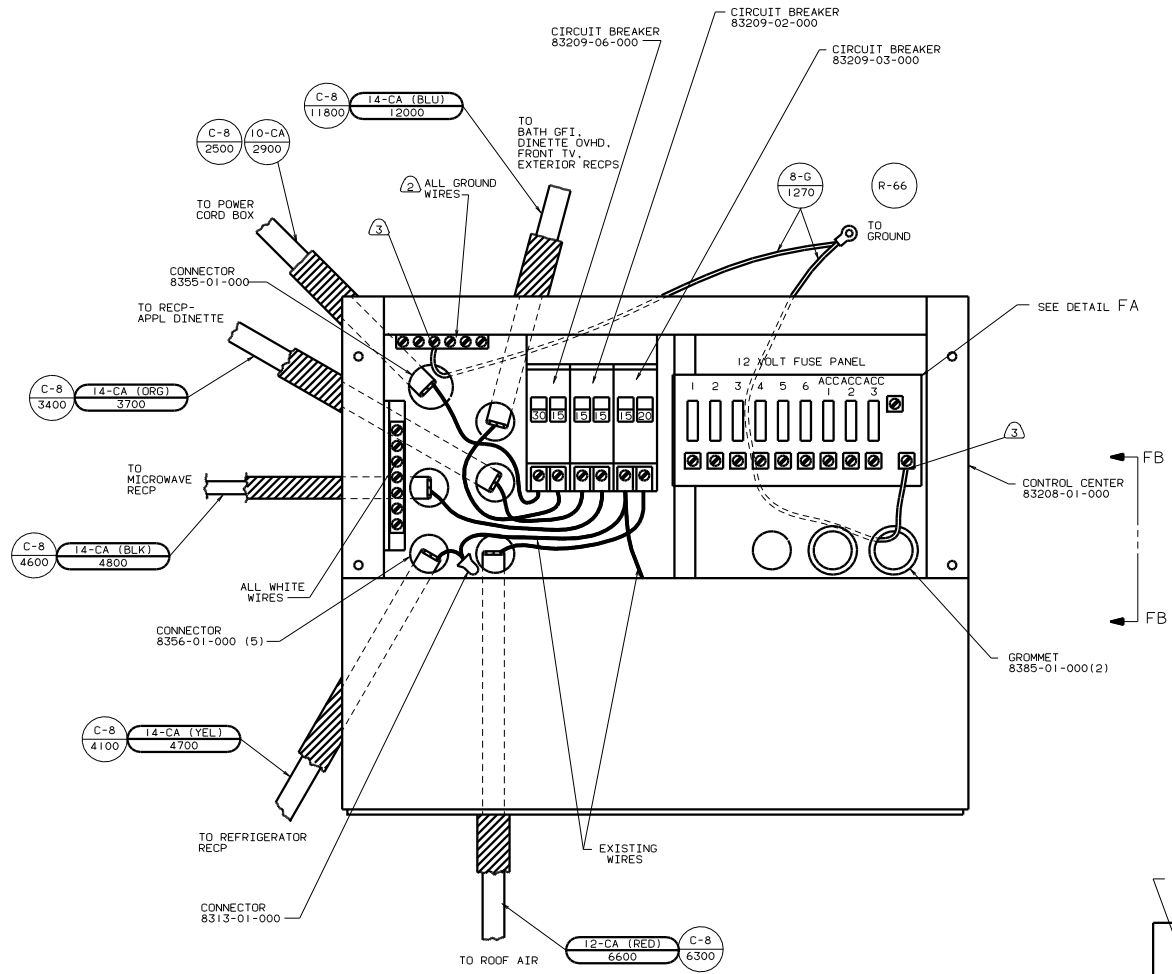
NOTES:

FOR ELECTRICAL TORQUE SPECIFICATIONS SEE DWG NO 128783-01-000

X-X FOR ELECTRICAL CALLOUTS SEE DWG NO 121339-01-000

99 322R
265 CODE STANDARDS-CSA
12D ELECTRICAL SYS-30 AMP

TITLE		130213	
WIRING INSTL-BODY(110R30CAN)		130213	
SHEET 5 OF 11		1E	



NOTES:

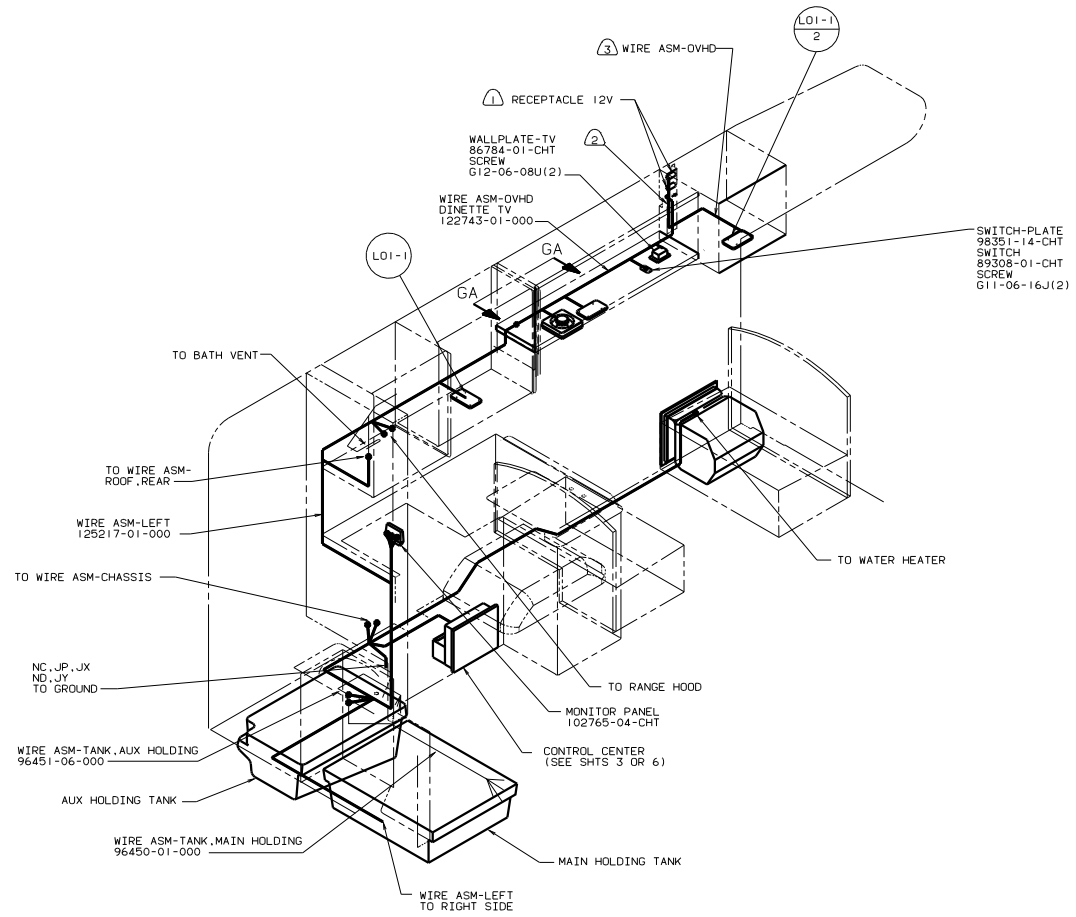
- WIRES W/O TERMINALS TO BE STRIPPED 10 AND SOLDER DIPPED.
- ALL GROUND WIRES TO BE COVERED WITH TUBING 8041-02-000.
- FASTEN ALL WIRES TO SUPPORT. USE ONE SCREW PER CLAMP.

FOR ELECTRICAL TORQUE SPECIFICATIONS SEE DWG NO. 128783-01-000

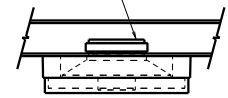
FOR ELECTRICAL CALLOUTS SEE DWG NO. 121339-01-000

99 322R
CONTROL CENTER
265 CODE STANDARDS-CSA
12D ELECTRICAL SYS-30 AMP

WIRING INSTL-BODY(30 CC CAN)
SHEET 6 OF 11
130213



SPEAKER KIT
 110465-01-000 (1/4)
 GRILLE
 111177-01-CHT
 SCREW
 1 (SUPPLIED W/SPEAKER) (4)
 SCREW
 G56-08-32X (4)



VIEW GA-GA

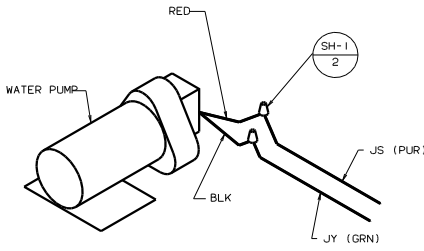
- NOTES:
- (3) SEE CABT ASM-TV FOR ADDITIONAL INFORMATION.
 - (2) TAPE BACK JA AND JP FOR 2ND 12V JACK WHEN IT IS NOT NEEDED.
 - (1) SEE WIRING INSTL-TV/VCR, SIDE FOR ADDITIONAL INFORMATION.

FOR ELECTRICAL
 TORQUE
 SPECIFICATIONS
 SEE DWG NO.
 128783-01-000

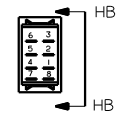
(X-X)
 FOR
 ELECTRICAL
 CALLOUTS
 SEE DWG NO.
 121339-01-000

99 322R
 265 CODE STANDARDS-CSA
 1B1 CODE STANDARDS-USA

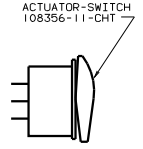
TITLE: WIRING INSTL-BODY(12 L)
 SHEET 7 OF 11
 130213



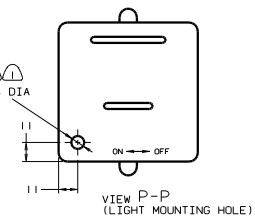
DETAIL HD



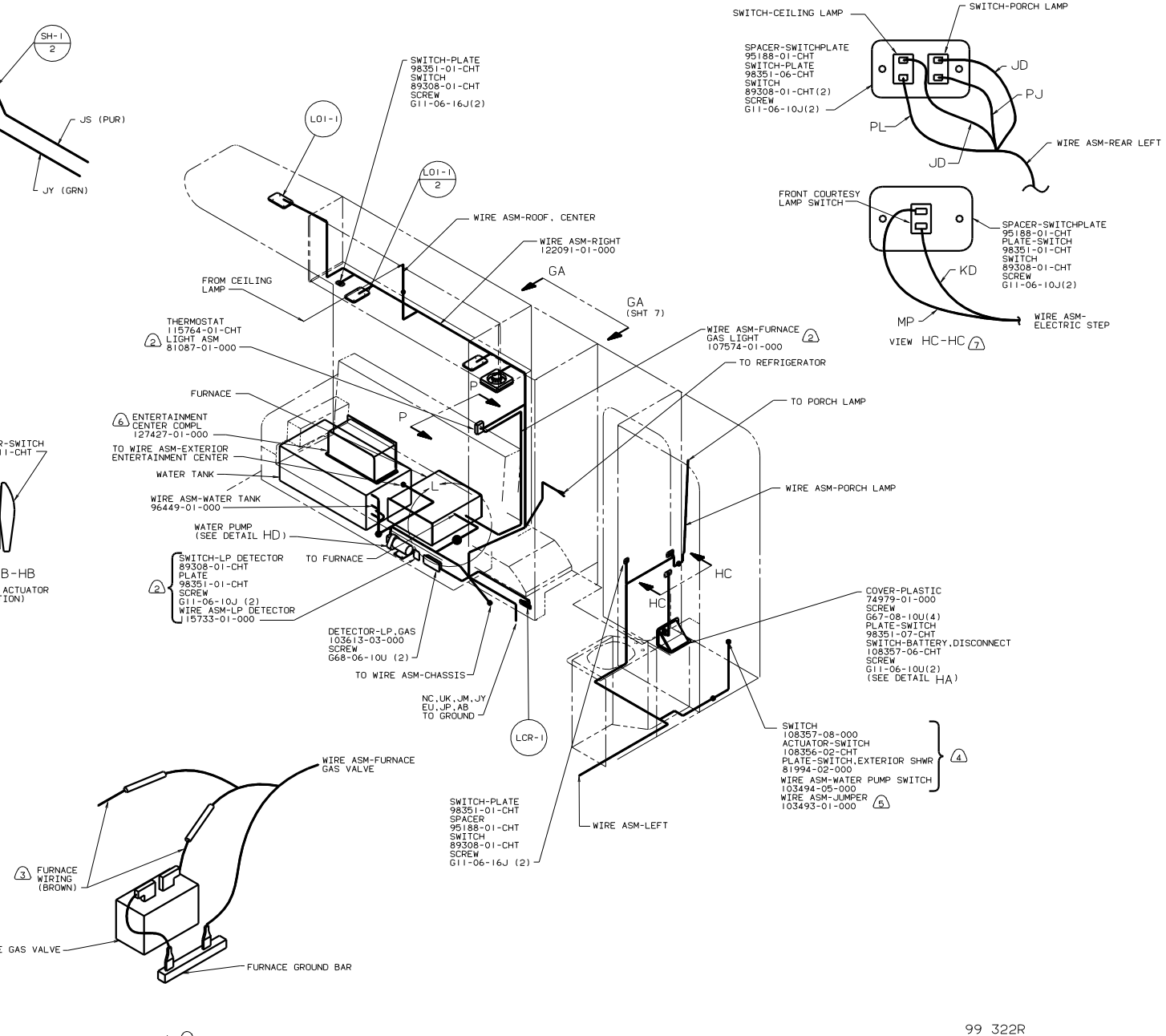
DETAIL HA-HA
(SWITCH MOUNTING ORIENTATION)



VIEW HB-HB
(SWITCH ACTUATOR ORIENTATION)



VIEW P-P
(LIGHT MOUNTING HOLE)



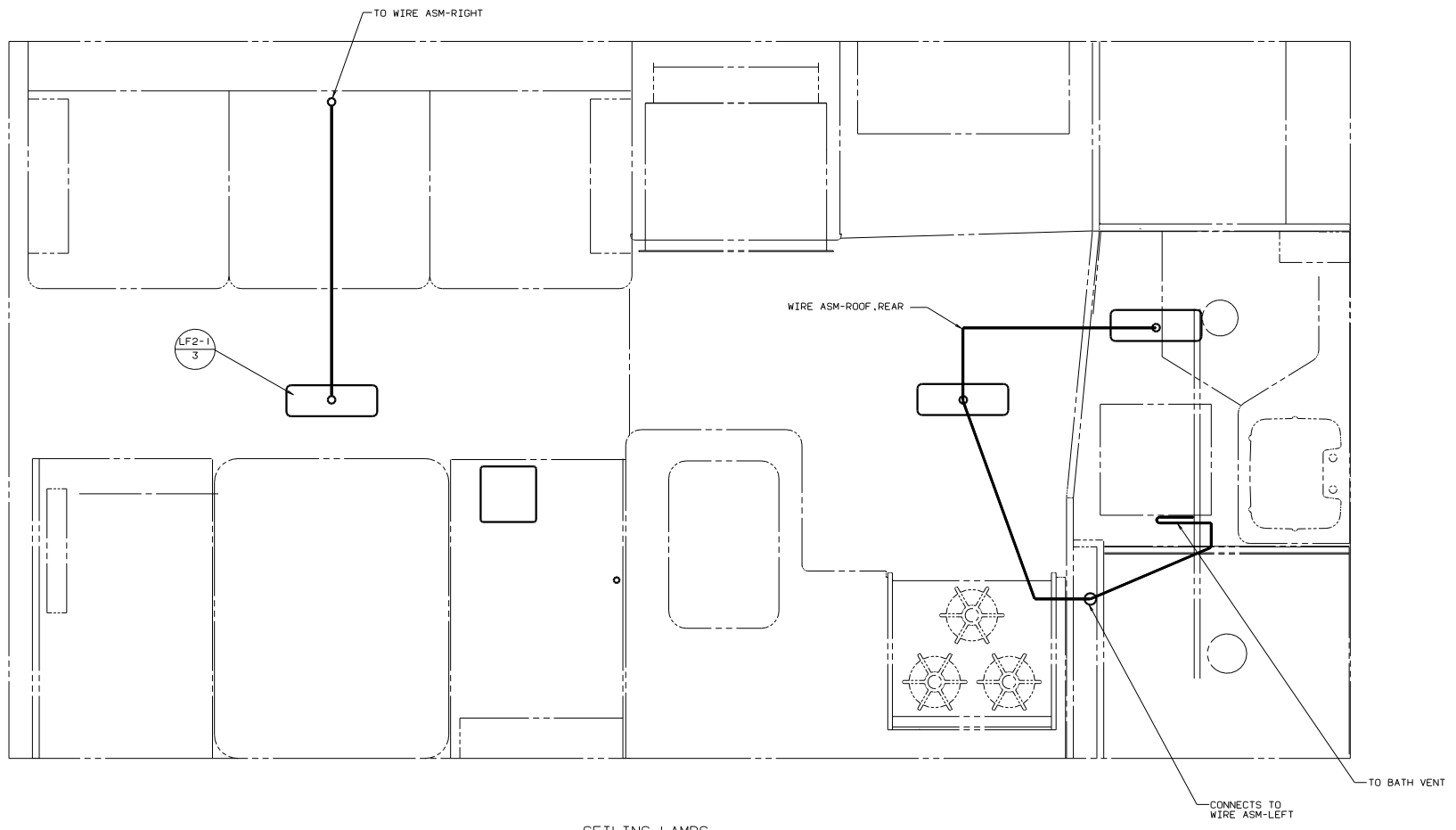
DETAIL L (2)

- NOTES:
- (7) 1E2 ENTRANCE STEP-ELEC.
 - (6) 76C ENTERTAINMENT CTR-EXT. W/CASSETTE.
 - (5) NOT USED WITH 64R EXTERIOR WASH STATION.
 - (4) 64R EXTERIOR WASH STATION.
 - (3) DISCONNECT FURNACE WIRES AND RECONNECT AS SHOWN.
 - (2) 04L JAPAN EXPOXT PKG.
 - (1) DRILL HOLE THROUGH TOP SURFACE AND BASE.

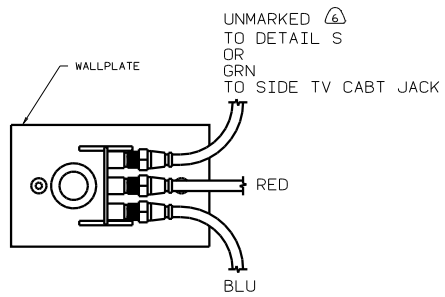
FOR ELECTRICAL TORQUE SPECIFICATIONS SEE DWG NO. 128783-01-000	(X-X)	FOR ELECTRICAL CALL OUTS SEE DWG NO. 121339-01-000
--	-------	--

99 322R
265 CODE STANDARDS-CSA
181 CODE STANDARDS-USA

TITLE:	WIRING INSTL - BODY (12_R)
SHEET NO.:	8 OF 11
REV. NO.:	1 E

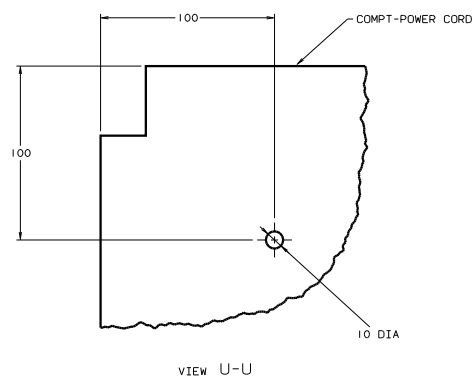
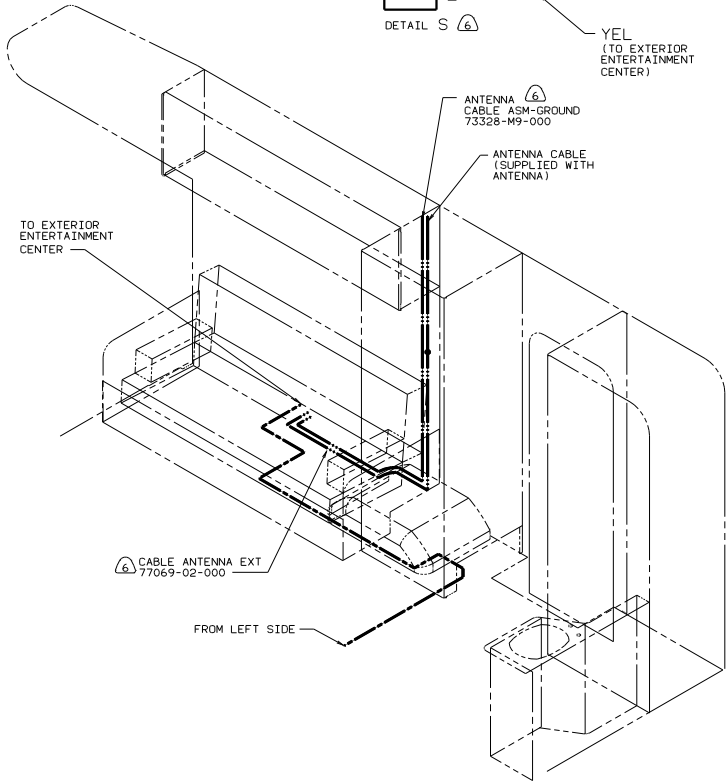
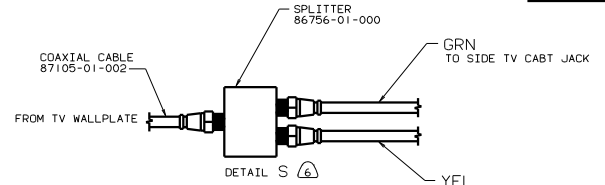
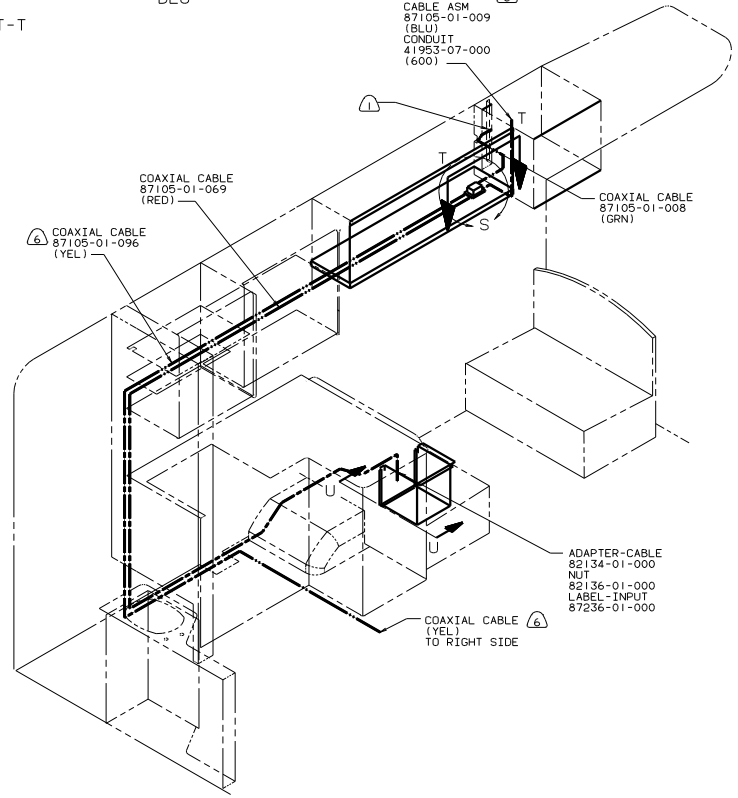


CEILING LAMPS



- ADAPTER 76319-06-000 (2)
- SCREW G11-08-08T (4) (EXT)
- ANTENNA 76319-20-000
- KIT-HARDWARE INTERIOR 76319-25-000
- CLIP-WIRE 80734-02-000 (3)
- BUMPER 69726-01-000 (5)
- CABLE ASM 87105-01-009 (BLU)
- CONDUIT 41953-07-000 (600)

VIEW T-T



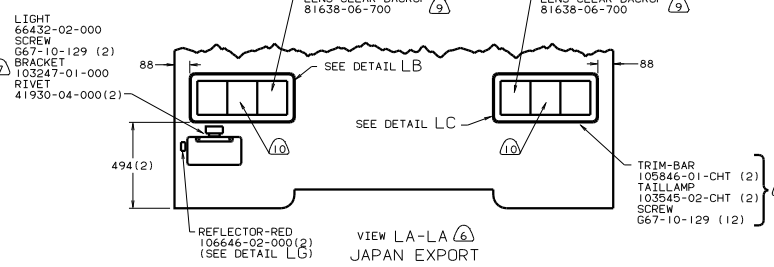
- (6) 76C ENTERTAINMENT CTR-EXT. W/CASSETTE.
- (5) ADD RUBBER BUMPER TO ROOF UNDER EACH END OF ANTENNA IN DOWN POSITION WHICH MAY COME INTO CONTACT WITH ROOF.
- (4) ADD 600 CONVULGATED TUBING 41953-01-000 IN THIS AREA.
- (3) LOCATE TO RETAIN CABLE BUT NOT TO RESTRICT ANTENNA TRAVEL.
- (2) SEE DRAWING 76319-01-000 FOR INSTALLATION OF TV ANTENNA.
- (1) SEE WIRING INSTL-TV/VCR, SIDE FOR ADDITIONAL INFORMATION.

NOTES:

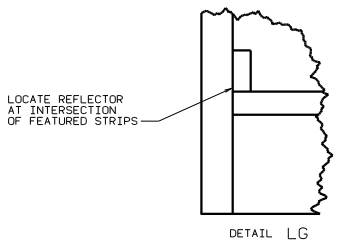
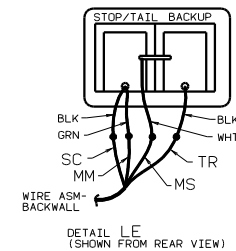
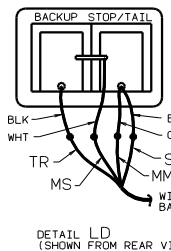
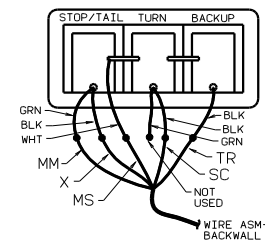
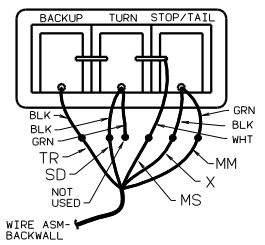
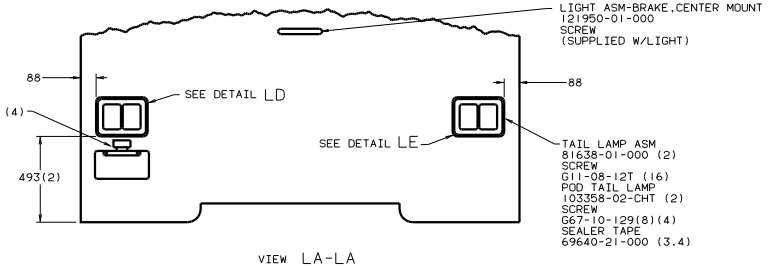
99 322R
COAXIAL CABLE
193 TV ANTENNA
265 CODE STANDARDS-CSA
1B1 CODE STANDARDS-USA

FOR ELECTRICAL
TORQUE
SPECIFICATIONS
SEE DWG NO
128783-01-000

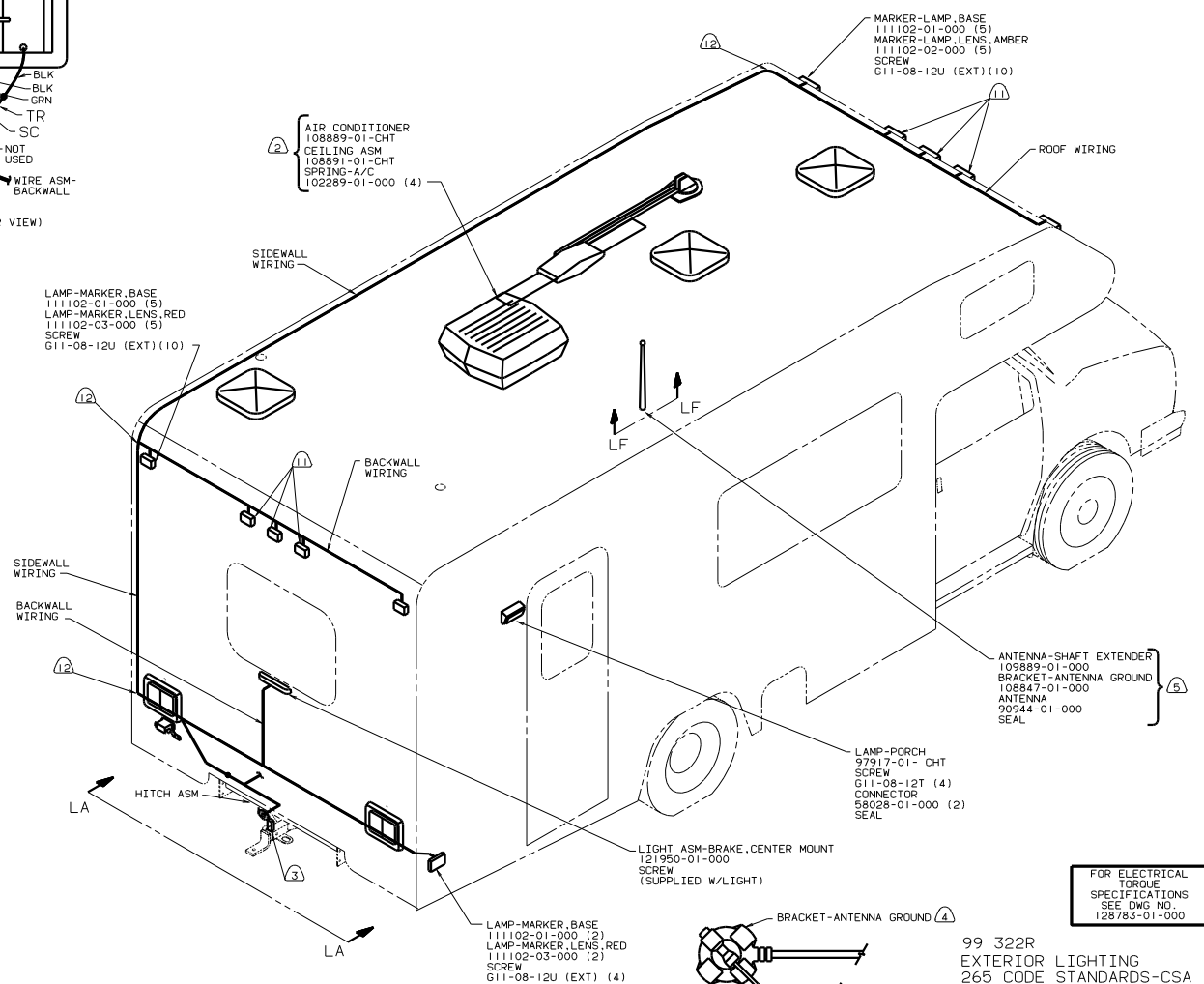
TITLE: WIRING INSTL-BODY(COAX)
SHEET 10 OF 11
130213



BRACKET-LICENSE 66432-03-000
SCREW 667-10-129 (2)
LIGHT-LICENSE 66432-02-000
SCREW 639-08-12T (EXT) (4)



LAMP-MARKER, BASE 111102-01-000 (5)
LAMP-MARKER, LENS, RED 111102-03-000 (5)
SCREW G11-08-12U (EXT) (10)



- (2) CONNECT TO WIRE ASM-SIDEWALL WITH CONNECTOR 58028-01-000.
- (1) DELETE CENTER 3 LAMPS WITH 04L JAPAN EXPORT PACKAGE.
- (10) REPLACE BACKUP LENS WITH AMBER LENS.
- (9) REPLACE AMBER LAMP LENS WITH PART NUMBER AS SHOWN.
- (8) MOUNT TAILLAMPS WITH CLEAR LENS TOWARD CENTER OF VEHICLE AND RED LENS TOWARD OUTSIDE OF VEHICLE.
- (7) ATTACH WITH RIVETS LOCATED UNDER LAMP, THEN SCREW LIGHT ON.
- (6) 04L JAPAN EXPORT PKG.
- (5) 76C ENTERTAINMENT CTR-EXT. W/CASSETTE.
- (4) WRAP BRACKET LEGS AROUND ANTENNA BASE.
- (3) SECURE WIRE BELOW COACH WITH CLAMP 10495-01-000 AND SCREW 667-10-12B.
- (2) 29D A/C, ROOF-ONE 13,500.

FOR ELECTRICAL TORQUE SPECIFICATIONS SEE DWG NO. 128783-01-000

99 322R
EXTERIOR LIGHTING
265 CODE STANDARDS-CSA
1B1 CODE STANDARDS-USA

TITLE	WIRING INSTL - BODY (EX L)
NO. OF SHEETS	1
SHEET NO.	1
DWG NO.	130213