



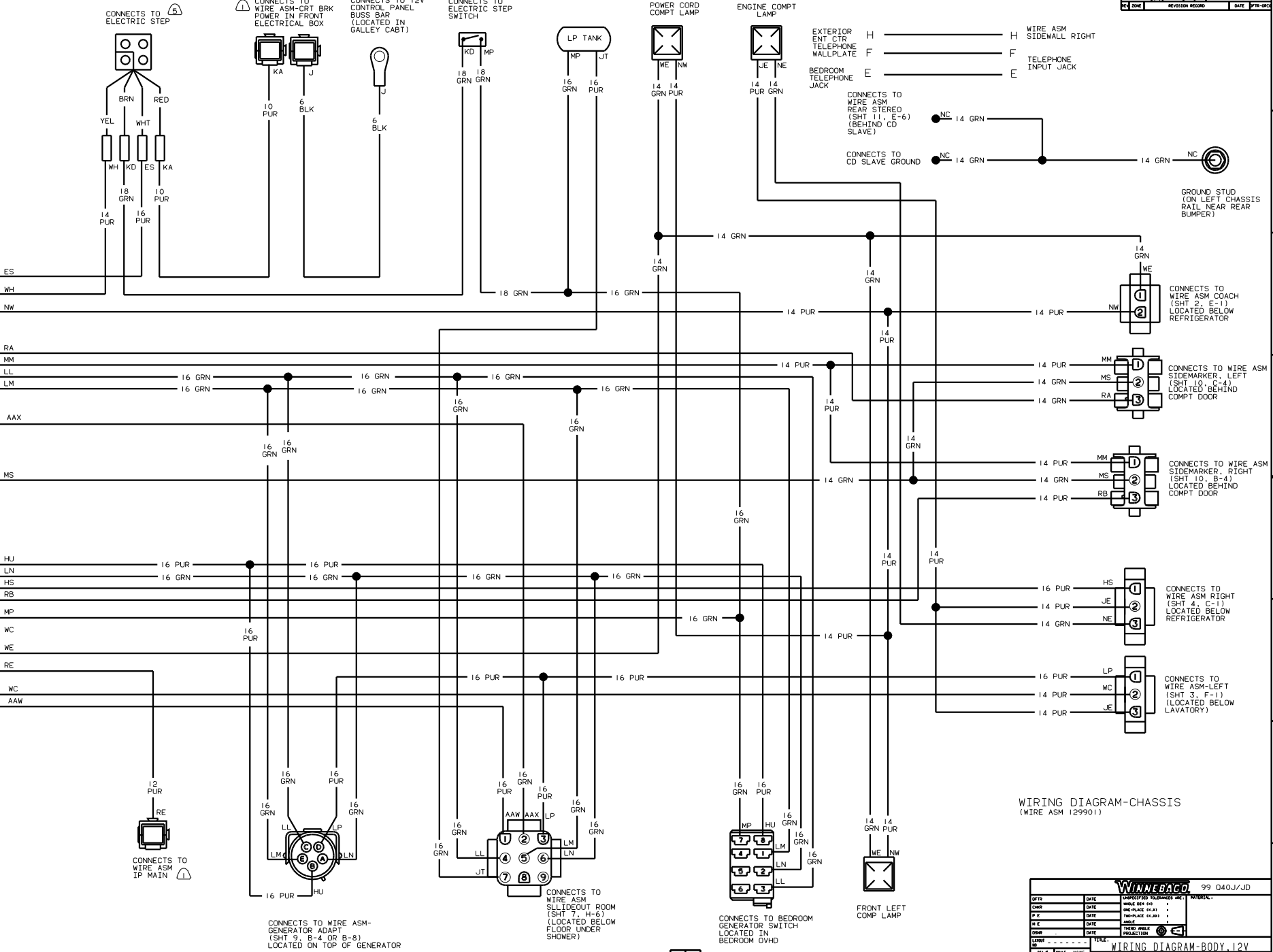
DANGER

Danger of electrical shock, burns or death. Always remove all power sources before attempting any repair, service or diagnostic work. Power can be present from shore power, generator, inverter or battery. All power sources must be disabled and secured before performing any service.



CAUTION

If you lack the skills, tools or equipment to perform diagnostic or repair work leave such work to an authorized Winnebago Industries dealer or other qualified shop.

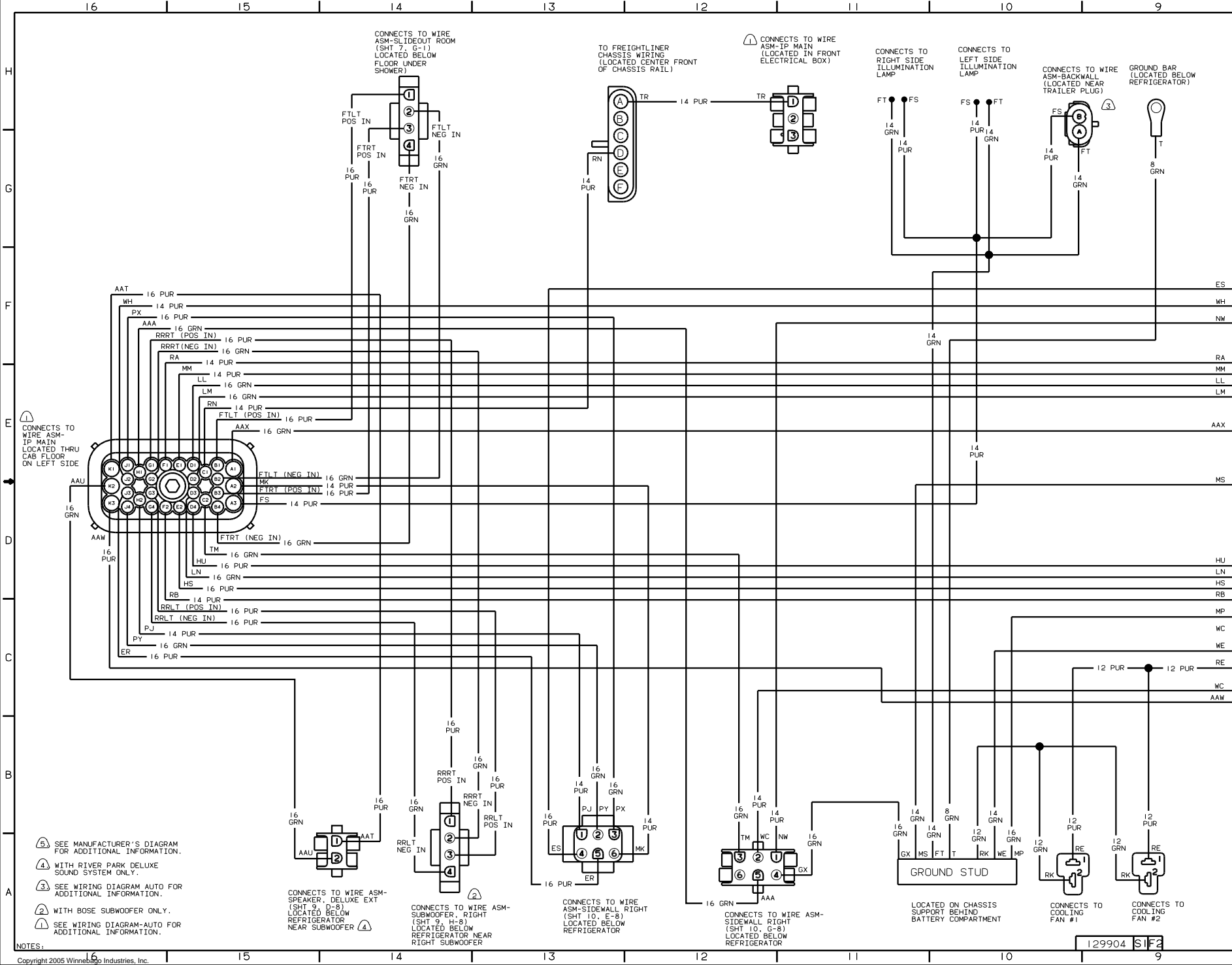


DATE		DESCRIPTION		BY	
DATE	DATE	DESCRIPTION	DESCRIPTION	BY	BY
DATE	DATE	DESCRIPTION	DESCRIPTION	BY	BY
DATE	DATE	DESCRIPTION	DESCRIPTION	BY	BY
DATE	DATE	DESCRIPTION	DESCRIPTION	BY	BY
DATE	DATE	DESCRIPTION	DESCRIPTION	BY	BY

WINNEBAGO 99 040/JJD

WIRING DIAGRAM-BODY 12V

129904



CONNECTS TO WIRE
ASM-SLIDEOUT ROOM
(SHT 7, G-1)
LOCATED BELOW
FLOOR UNDER
SHOWER

TO FREIGHTLINER
CHASSIS WIRING
(LOCATED CENTER FRONT
OF CHASSIS RAIL)

CONNECTS TO WIRE
ASM-IP MAIN
(LOCATED IN FRONT
ELECTRICAL BOX)

CONNECTS TO
RIGHT SIDE
ILLUMINATION
LAMP

CONNECTS TO
LEFT SIDE
ILLUMINATION
LAMP

CONNECTS TO WIRE
ASM-BACKWALL
(LOCATED NEAR
TRAILER PLUG)

GROUND BAR
(LOCATED BELOW
REFRIGERATOR)

CONNECTS TO
WIRE ASM-
IP MAIN
LOCATED THRU
CAB FLOOR
ON LEFT SIDE

CONNECTS TO WIRE ASM-
SPEAKER, DELUXE EXT
(SHT 9, D-8)
LOCATED BELOW
REFRIGERATOR

CONNECTS TO WIRE ASM-
SUBWOOFER, RIGHT
(SHT 9, H-8)
LOCATED BELOW
REFRIGERATOR NEAR
RIGHT SUBWOOFER

CONNECTS TO WIRE
ASM-SIDEWALL RIGHT
(SHT 10, E-8)
LOCATED BELOW
REFRIGERATOR

CONNECTS TO WIRE ASM-
SIDEWALL RIGHT
(SHT 10, G-8)
LOCATED BELOW
REFRIGERATOR

LOCATED ON CHASSIS
SUPPORT BEHIND
BATTERY COMPARTMENT

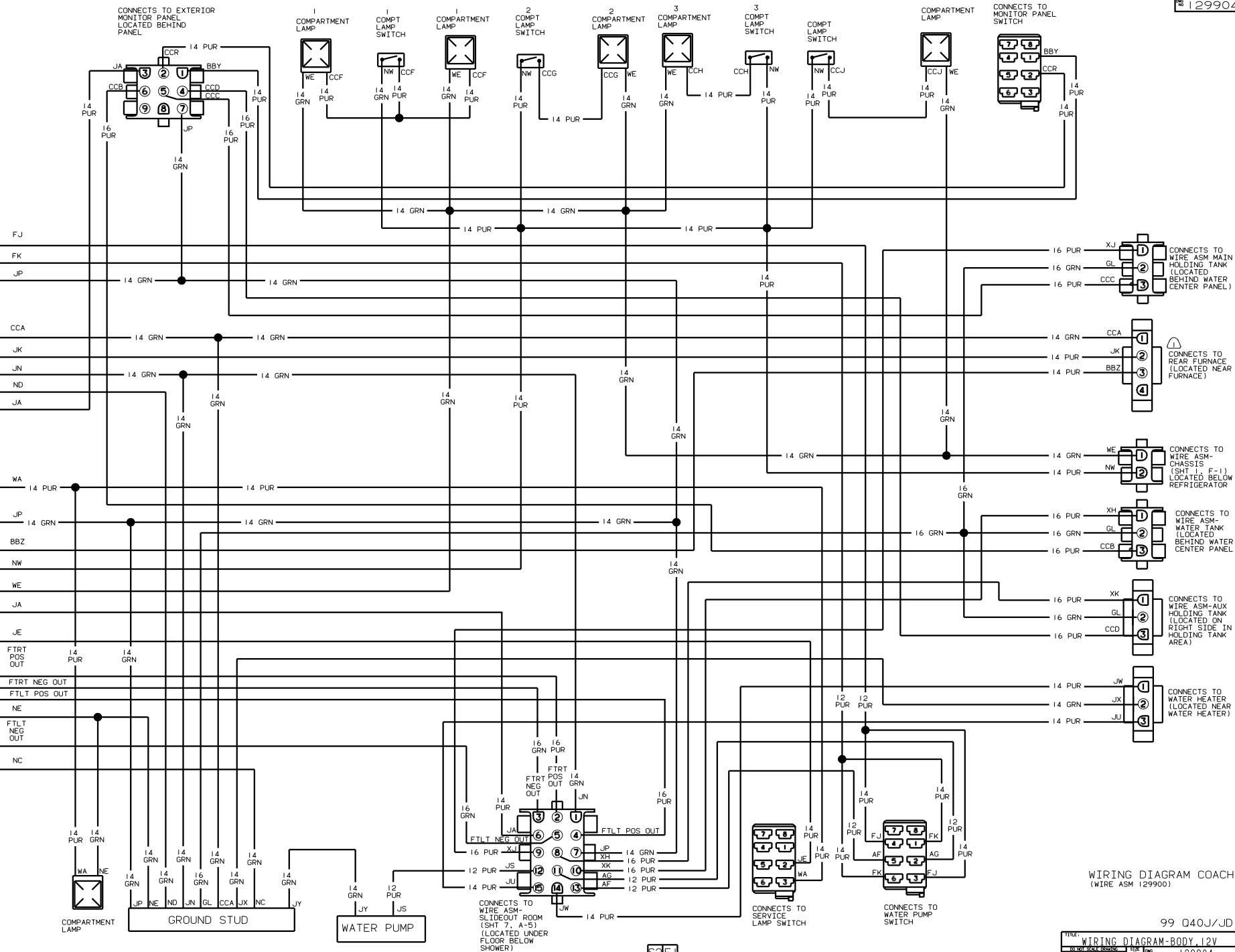
CONNECTS TO
COOLING
FAN #1

CONNECTS TO
COOLING
FAN #2

- NOTES:
- 1 SEE MANUFACTURER'S DIAGRAM FOR ADDITIONAL INFORMATION.
 - 2 WITH RIVER PARK DELUXE SOUND SYSTEM ONLY.
 - 3 SEE WIRING DIAGRAM AUTO FOR ADDITIONAL INFORMATION.
 - 4 WITH BOSE SUBWOOFER ONLY.
 - 5 SEE WIRING DIAGRAM-AUTO FOR ADDITIONAL INFORMATION.

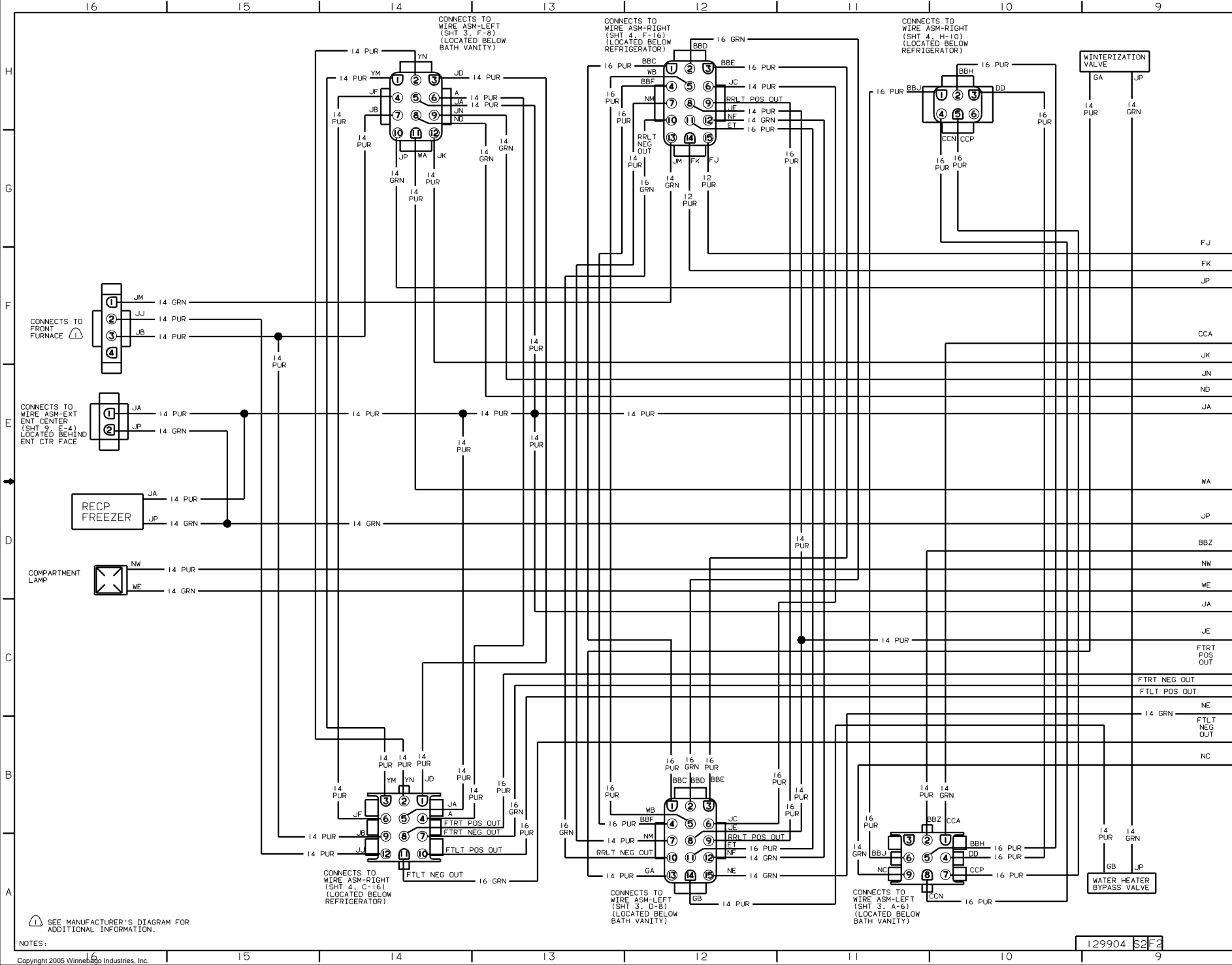
CONNECTS TO EXTERIOR MONITOR PANEL LOCATED BEHIND PANEL

CONNECTS TO MONITOR PANEL SWITCH



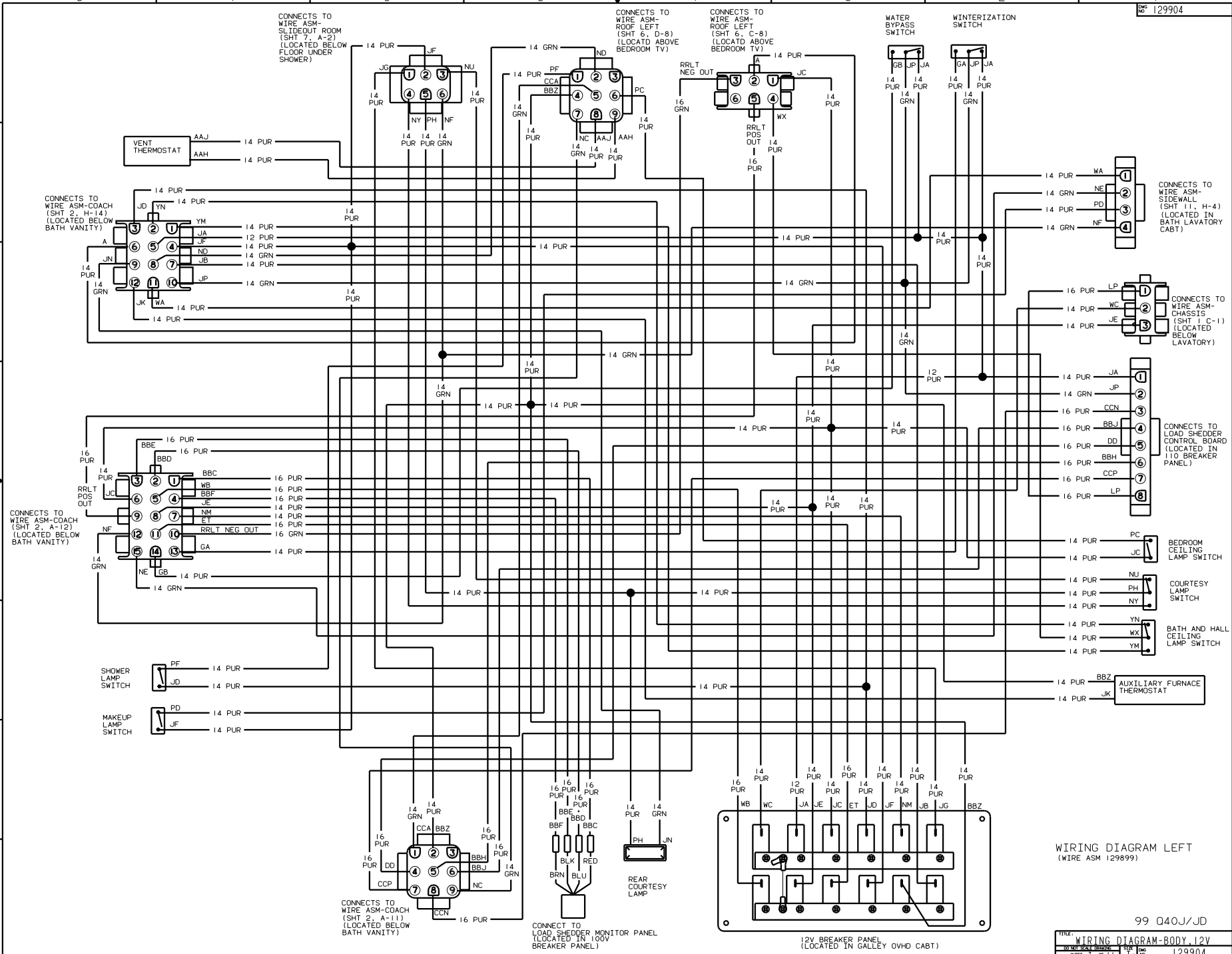
WIRING DIAGRAM COACH (WIRE ASM 129900)

99 040J/JD



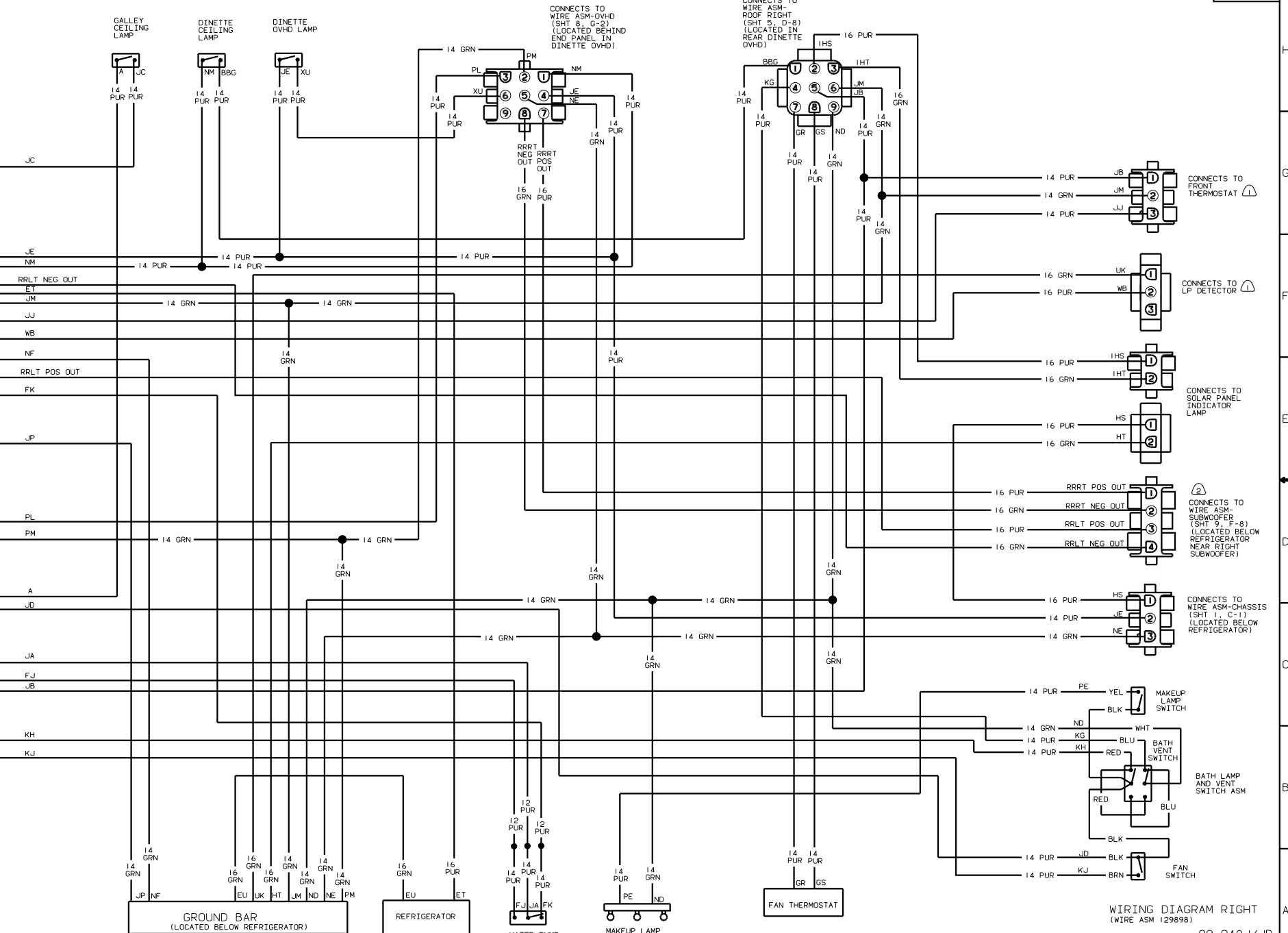
SEE MANUFACTURER'S DIAGRAM FOR ADDITIONAL INFORMATION.

NOTES:



WIRING DIAGRAM LEFT (WIRE ASM 129899)

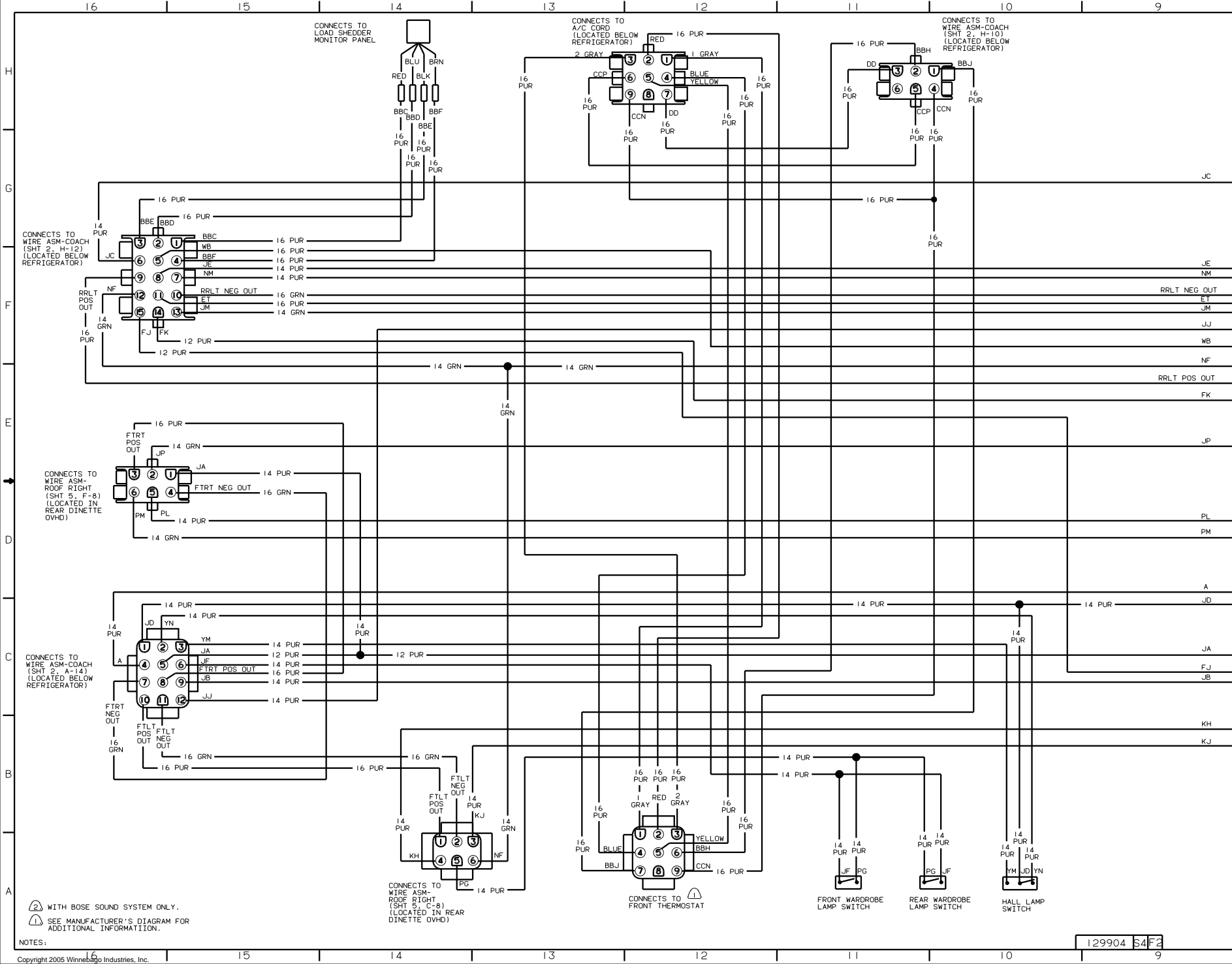
99 Q40J/JD



WIRING DIAGRAM RIGHT (WIRE ASM 129898)

99 Q40J/JD

TITLE	WIRING DIAGRAM-BODY.12V
NO. OF SHEETS	1 OF 1
SHEET NO.	4 OF 11
REV.	1
DATE	129904



(2) WITH BOSE SOUND SYSTEM ONLY.
 ⚠ SEE MANUFACTURER'S DIAGRAM FOR ADDITIONAL INFORMATION.

NOTES:

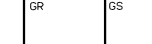
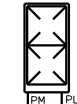
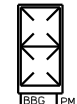
CONNECTS TO SOLAR PANEL

DINETTE CEILING LAMP

RIGHT LOUNGE CEILING LAMP

GALLEY ROOF VENT

GALLEY ROOF VENT



16 GRN
16 PUR
14 GRN

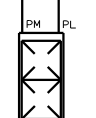
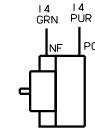
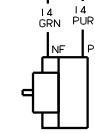
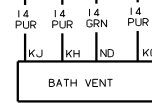
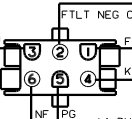
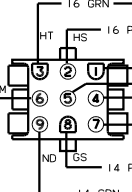
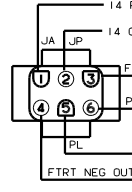
14 PUR
14 GRN

14 PUR
14 GRN

14 PUR
14 GRN

14 PUR
14 GRN

14 GRN
14 PUR



WIRING DIAGRAM ROOF RIGHT
(WIRE ASM 130100)

99 Q40J/JD

TITLE: WIRING DIAGRAM-BODY_I2V	
DATE: 11/16/05	REV: 1.0
SHEET: 5 OF 11	FIG. NO: 129904

CONNECTS TO WIRE ASM-RIGHT (SHT 4, E-16) (LOCATED IN REAR DINETTE OVHD)

CONNECTS TO WIRE ASM-RIGHT (SHT 4, H-3) (LOCATED IN REAR DINETTE OVHD)

CONNECTS TO WIRE ASM-RIGHT (SHT 4, A-14) (LOCATED IN REAR DINETTE OVHD)

CONNECTS TO RIGHT FRONT SPEAKER OR WIRE ASM-SPEAKER ADAPTER (SHT 10 A-8)

CONNECTS TO LEFT FRONT SPEAKER OR WIRE ASM-SPEAKER ADAPTER (SHT 10 A-8)

NOTES: SEE MANUFACTURER'S DIAGRAM FOR ADDITIONAL INFORMATION.

CONNECTS TO WIRE ASM- REAR STEREO (SHT 11, D-8) (LOCATED IN CLOSEOUT PANEL ON DRIVERS SIDE OF REAR OVHD)

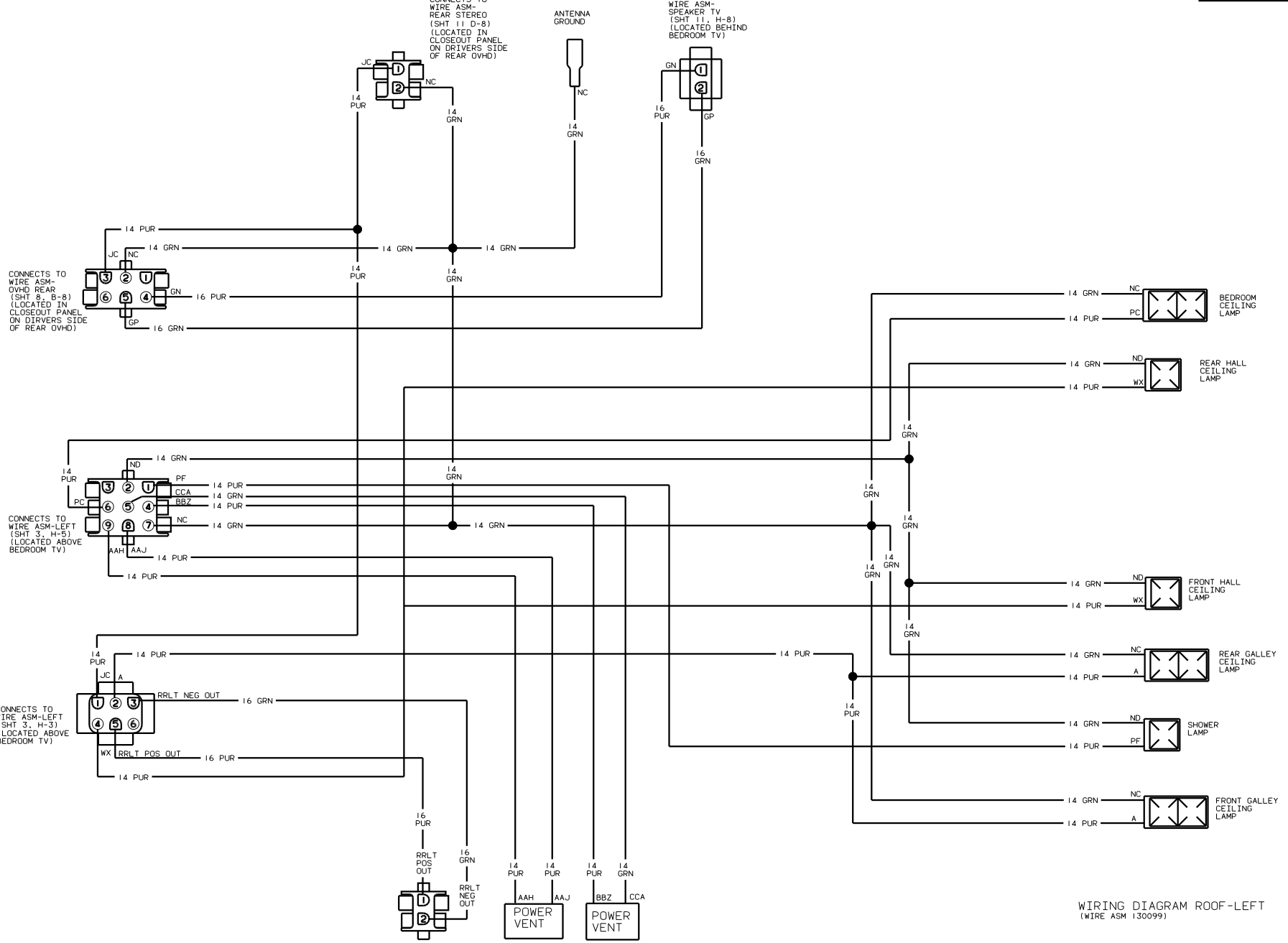
CONNECTS TO WIRE ASM- SPEAKER TV (SHT 11, H-8) (LOCATED BEHIND BEDROOM TV)

CONNECTS TO WIRE ASM- OVHD REAR (SHT 8, B-8) (LOCATED IN CLOSEOUT PANEL ON DRIVERS SIDE OF REAR OVHD)

CONNECTS TO WIRE ASM-LEFT (SHT 3, H-5) (LOCATED ABOVE BEDROOM TV)

CONNECTS TO WIRE ASM-LEFT (SHT 3, H-3) (LOCATED ABOVE BEDROOM TV)

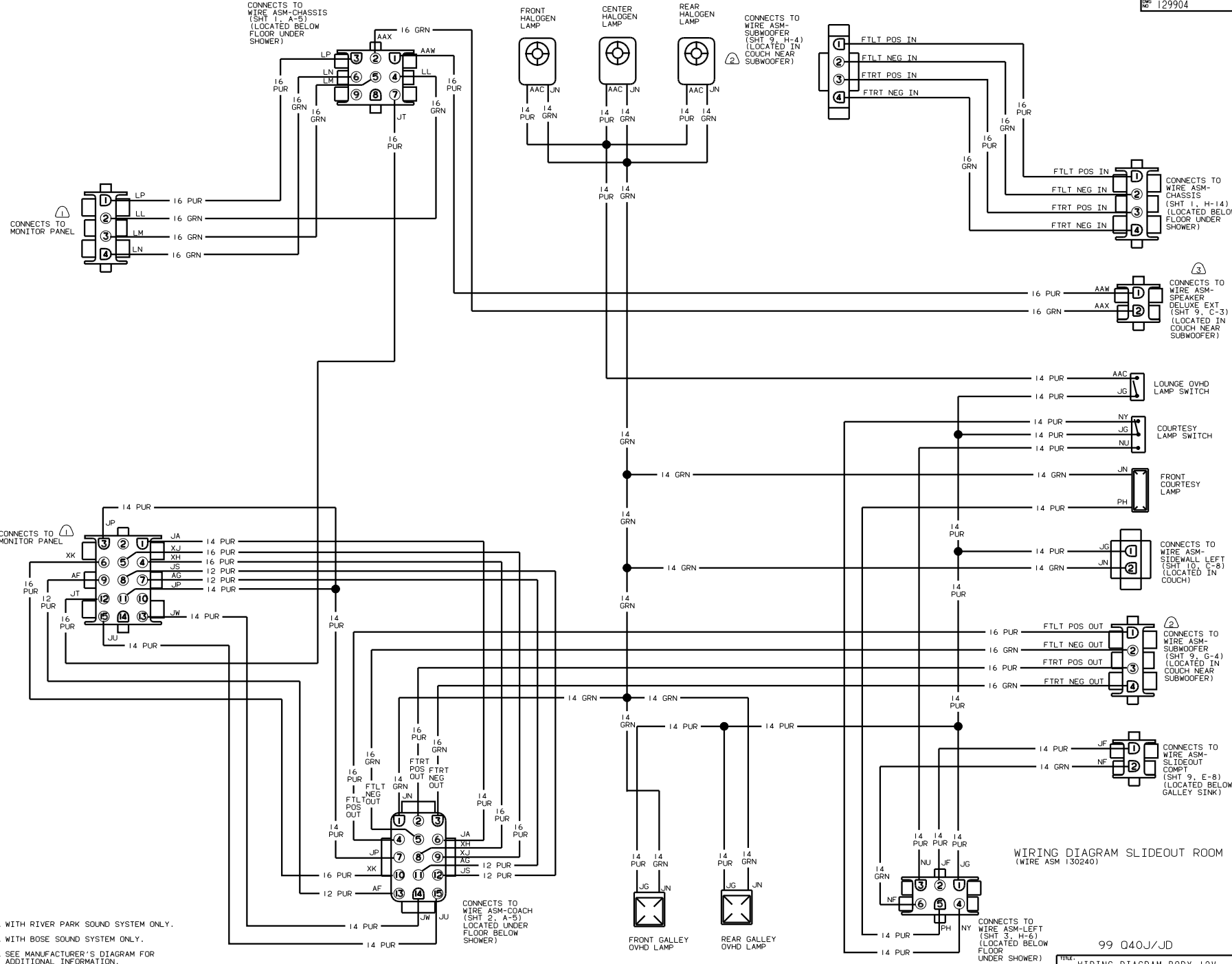
CONNECTS TO LEFT REAR SPEAKER OR WIRE ASM-SPEAKER ADAPTER (SHT 11, D-8) (LOCATED IN CLOSEOUT PANEL ON DRIVERS SIDE OF REAR OVHD)



WIRING DIAGRAM ROOF-LEFT (WIRE ASM 130099)

99 Q40J/JD

TITLE: WIRING DIAGRAM-BODY_12V	
DATE: 05/04/04	REV: 1.0
SHEET: 6 OF 11	FIG. NO: 129904



WIRING DIAGRAM SLIDEOUT ROOM (WIRE ASM 130240)

99 Q40J/JD

- NOTES:
- ③ WITH RIVER PARK SOUND SYSTEM ONLY.
 - ② WITH BOSE SOUND SYSTEM ONLY.
 - ⚠ SEE MANUFACTURER'S DIAGRAM FOR ADDITIONAL INFORMATION.

CONNECTS TO WIRE ASM-COACH (SHT 2, A-5) LOCATED UNDER FLOOR BELOW SHOWER)

CONNECTS TO WIRE ASM-SUBWOOFER (SHT 9, H-4) (LOCATED IN COUCH NEAR SUBWOOFER)

CONNECTS TO WIRE ASM-CHASSIS (SHT 1, H-14) (LOCATED BELOW FLOOR UNDER SHOWER)

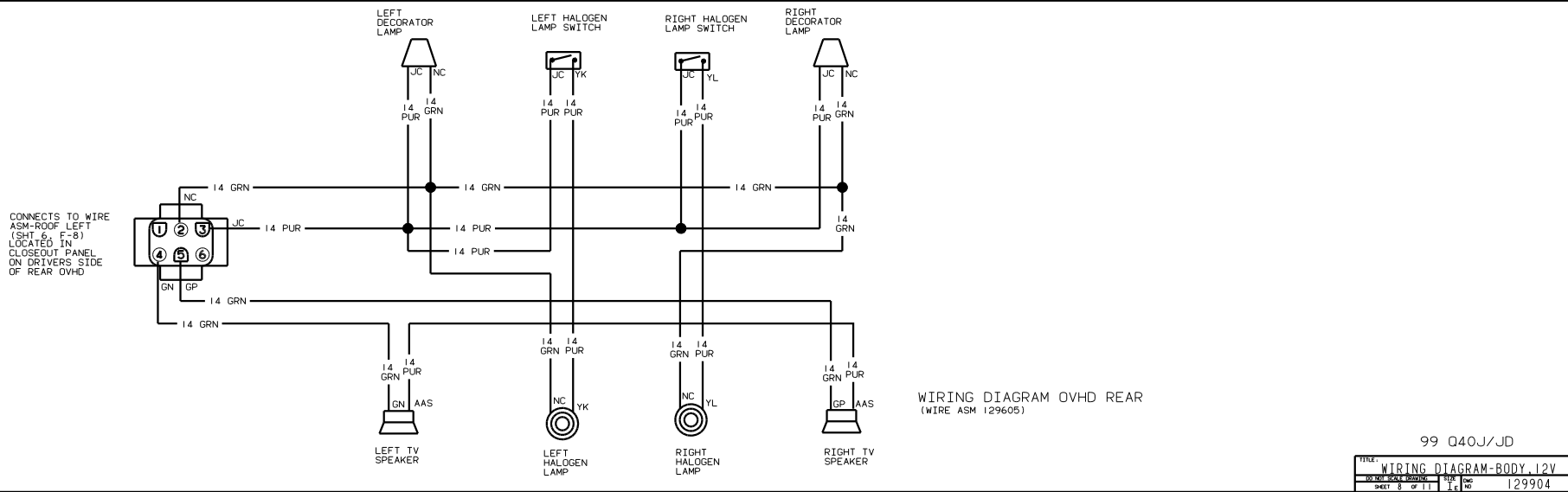
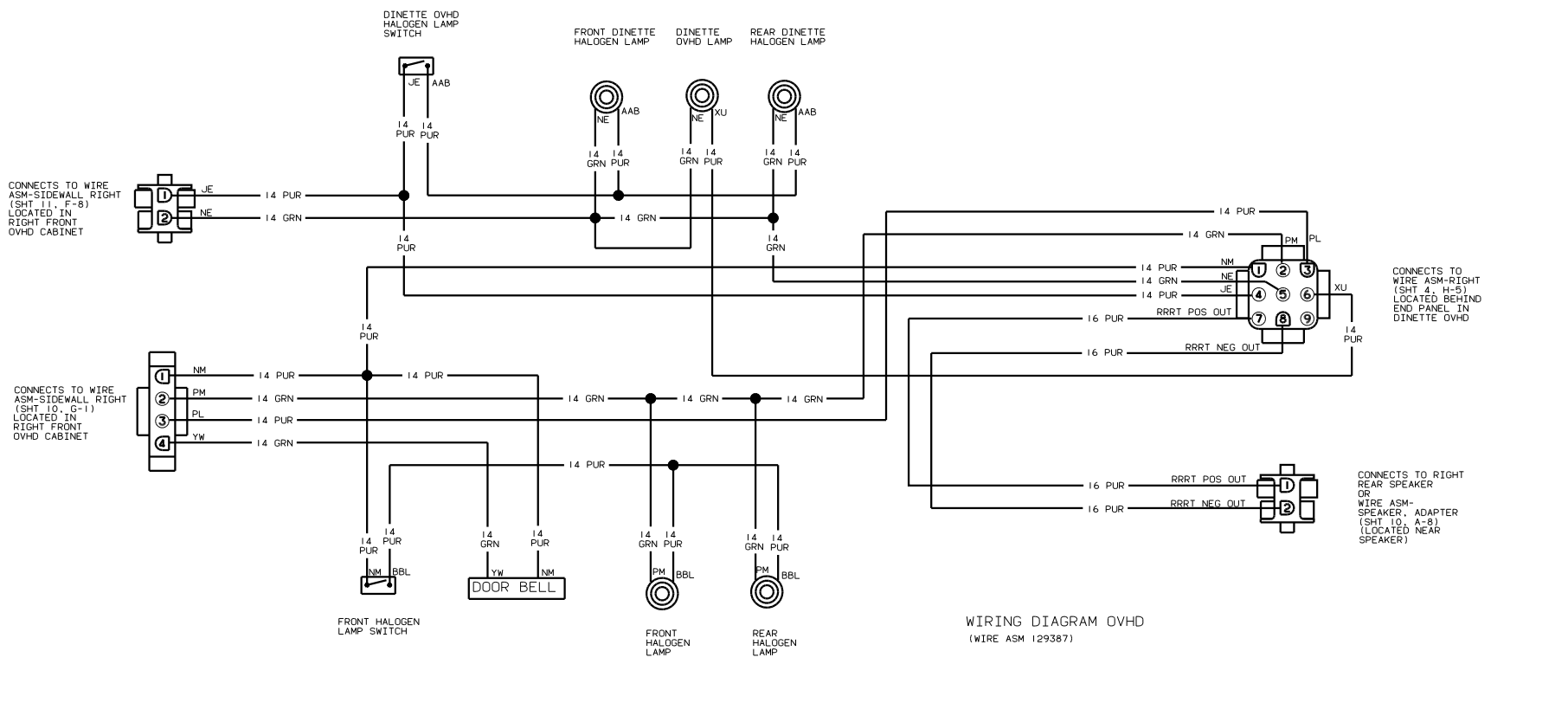
CONNECTS TO WIRE ASM-SPEAKER DELUXE EXT (SHT 9, C-3) (LOCATED IN COUCH NEAR SUBWOOFER)

CONNECTS TO WIRE ASM-SIDEWALL LEFT (SHT 10, E-8) (LOCATED IN COUCH)

CONNECTS TO WIRE ASM-SUBWOOFER (SHT 9, G-4) (LOCATED IN COUCH NEAR SUBWOOFER)

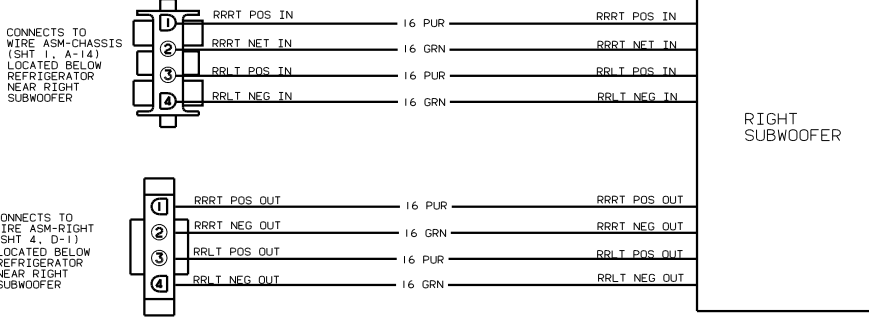
CONNECTS TO WIRE ASM-SLIDEOUT COMPT (SHT 9, E-8) (LOCATED BELOW GALLEY SINK)

CONNECTS TO WIRE ASM-LEFT (SHT 3, H-6) (LOCATED BELOW FLOOR UNDER SHOWER)

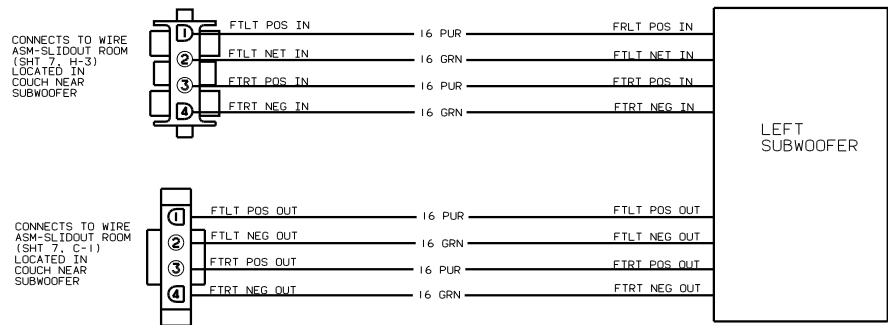


99 Q40J/JD

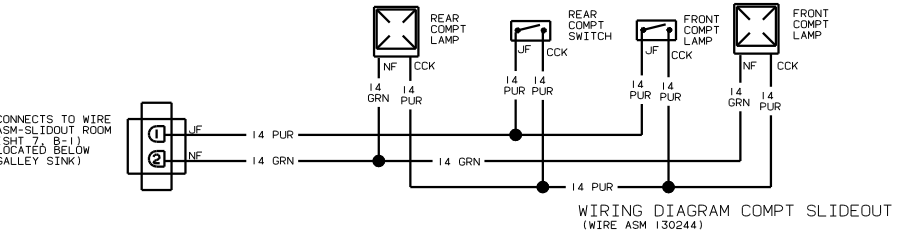
TITLE: WIRING DIAGRAM-BODY_12V	
NO. OF SHEETS: 8	SHEET NO. 8 OF 11
DATE: 1.6	REV: 1.6



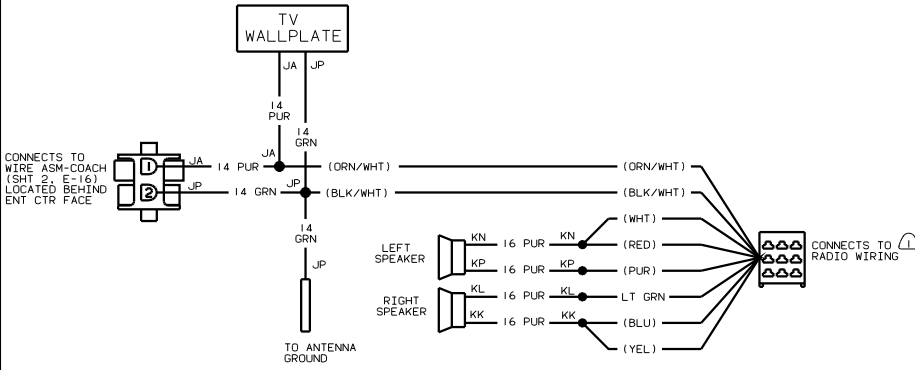
WIRING DIAGRAM SUBWOOFER RIGHT
(WIRE ASM 129724)
(WITH BOSE SOUND SYSTEM ONLY)



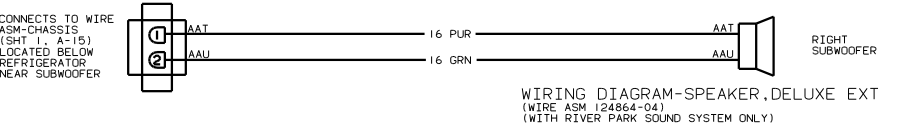
WIRING DIAGRAM SUBWOOFER LEFT
(WIRE ASM 129725)
(WITH BOSE SOUND SYSTEM ONLY)



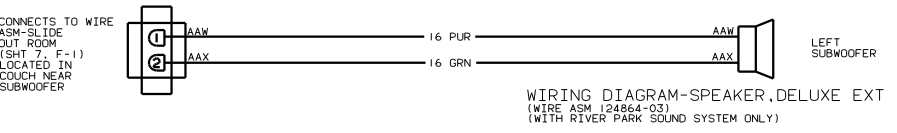
WIRING DIAGRAM COMPT SLIDEOUT
(WIRE ASM 130244)



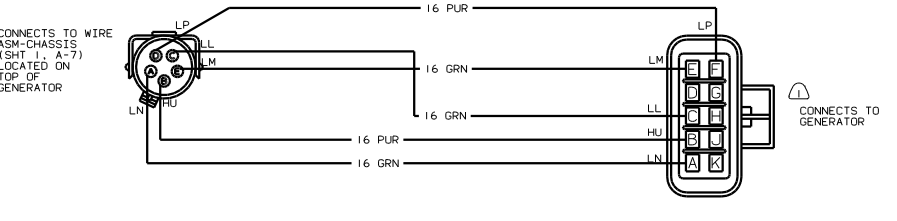
WIRING DIAGRAM-EXT ENT CTR
(WIRE ASM 125853-01)
(WITH EXTERIOR ENTERTAINMENT CENTER)



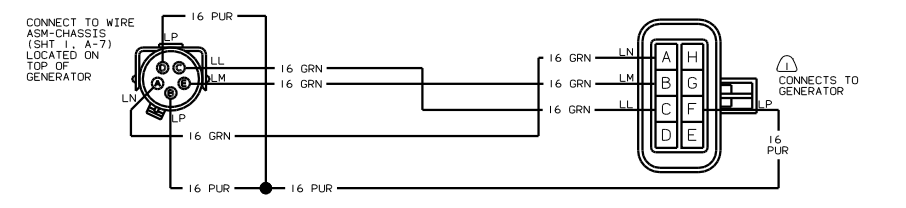
WIRING DIAGRAM-SPEAKER, DELUXE EXT
(WIRE ASM 124864-04)
(WITH RIVER PARK SOUND SYSTEM ONLY)



WIRING DIAGRAM-SPEAKER, DELUXE EXT
(WIRE ASM 124864-03)
(WITH RIVER PARK SOUND SYSTEM ONLY)

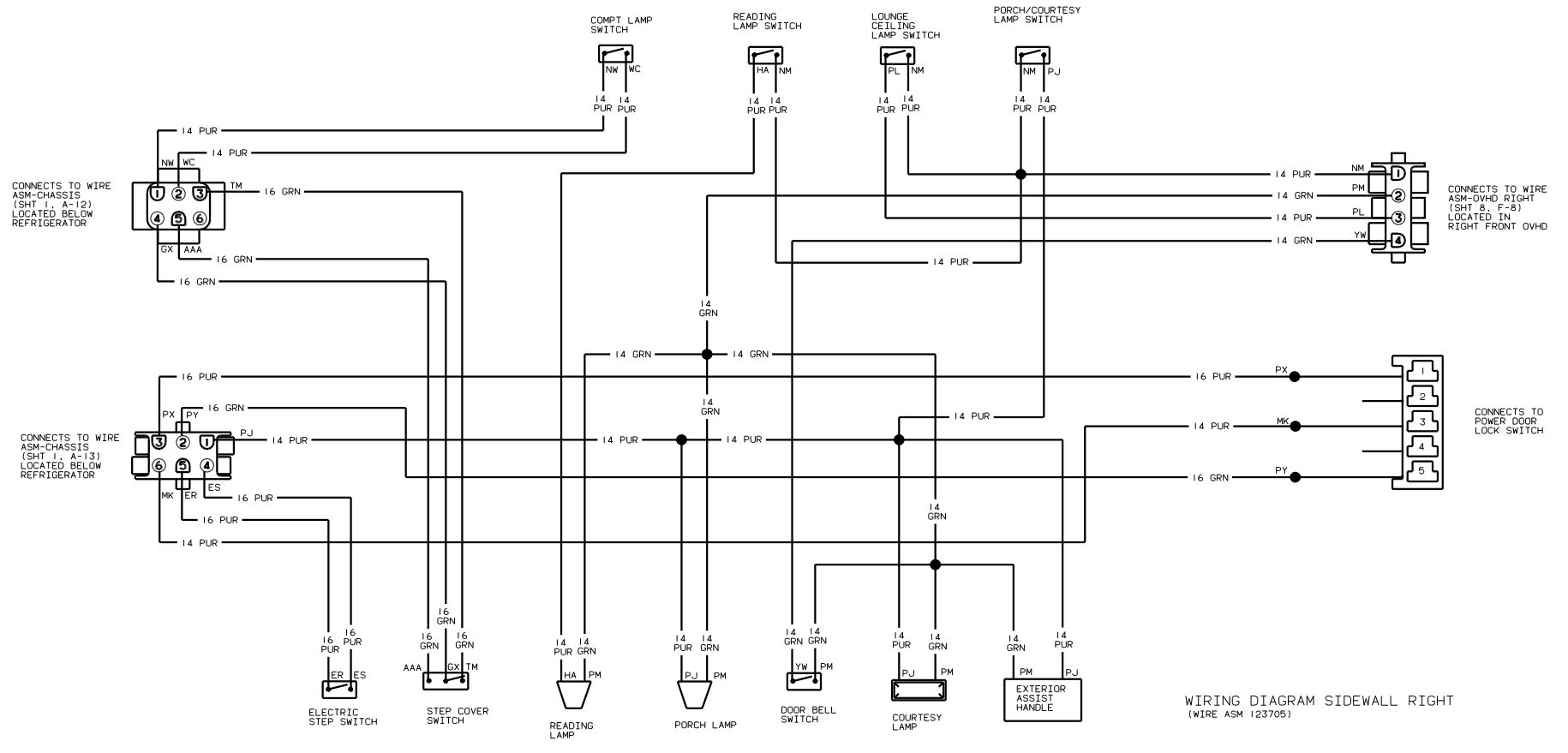


WIRING DIAGRAM-GEN ADAPTER, DIESEL
(WIRE ASM 130332-02)
(WITH DIESEL GENERATOR)

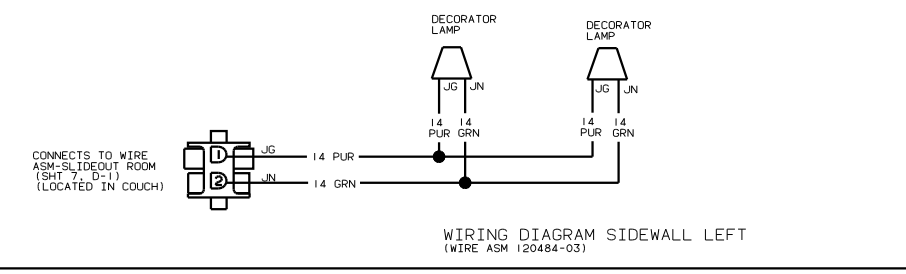


WIRING DIAGRAM-GENERATOR ADAPTER, LP
(WIRE ASM 130332-01)
(WITH LP GENERATOR)

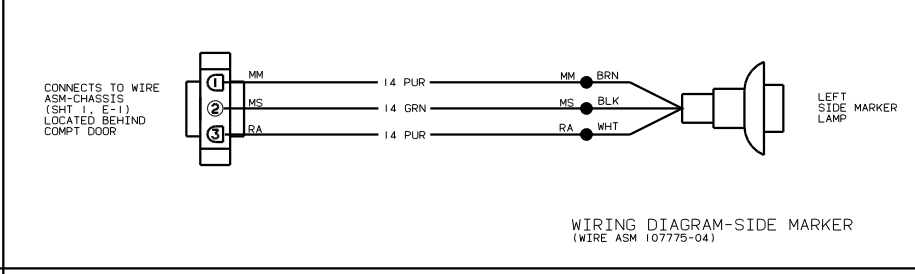
SEE MANUFACTURER'S DIAGRAM FOR ADDITIONAL INFORMATION.



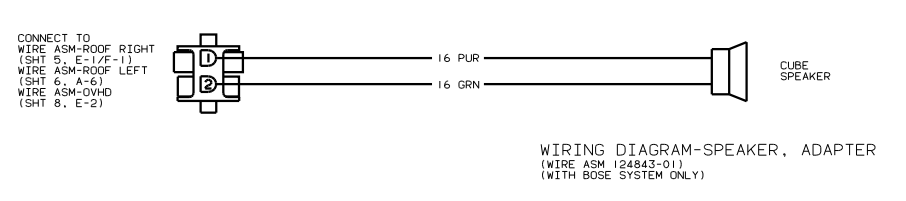
WIRING DIAGRAM SIDEWALL RIGHT
(WIRE ASM 123705)



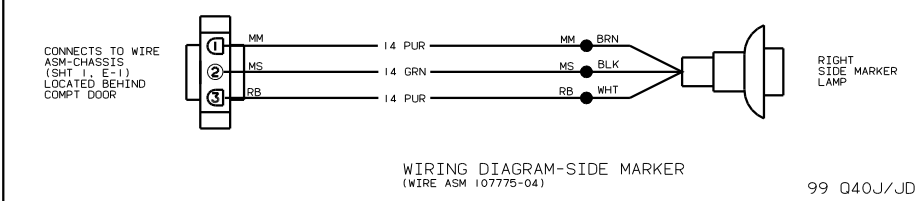
WIRING DIAGRAM SIDEWALL LEFT
(WIRE ASM 120484-03)



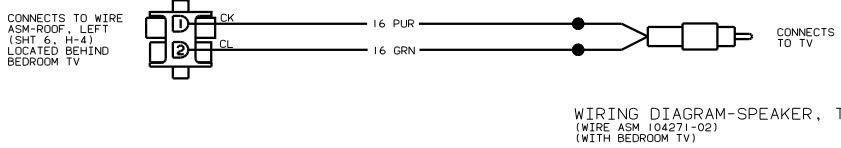
WIRING DIAGRAM-SIDE MARKER
(WIRE ASM 107775-04)



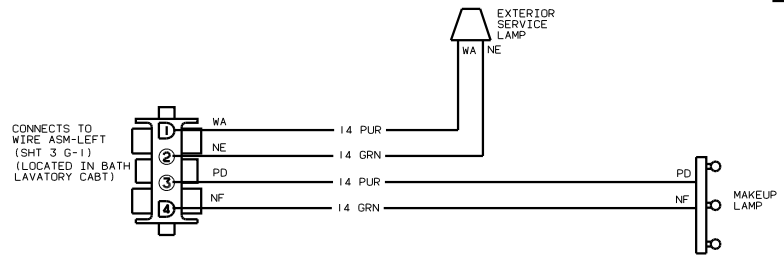
WIRING DIAGRAM-SPEAKER, ADAPTER
(WIRE ASM 124843-01)
(WITH BOSE SYSTEM ONLY)



WIRING DIAGRAM-SIDE MARKER
(WIRE ASM 107775-04)



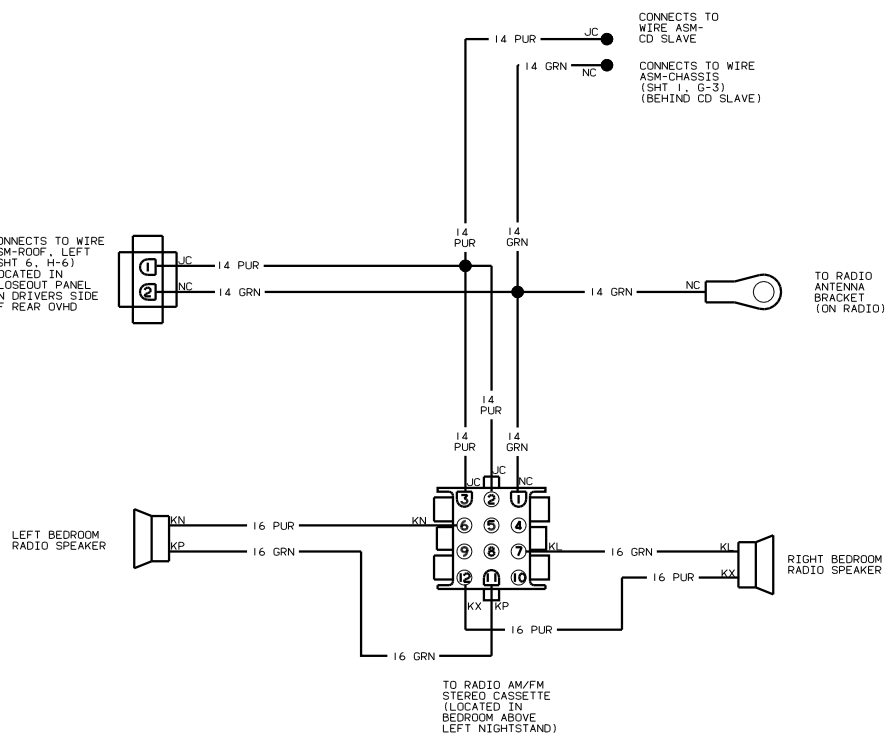
WIRING DIAGRAM-SPEAKER, TV (WIRE ASM 104271-02) (WITH BEDROOM TV)



WIRING DIAGRAM SIDEWALL LEFT (WIRE ASM 130104)



WIRING DIAGRAM-SIDEWALL, RIGHT (WIRE ASM 93051-10)



WIRING DIAGRAM-REAR, STEREO (WIRE ASM 124336-08) (WITH REAR STEREO)