



DANGER

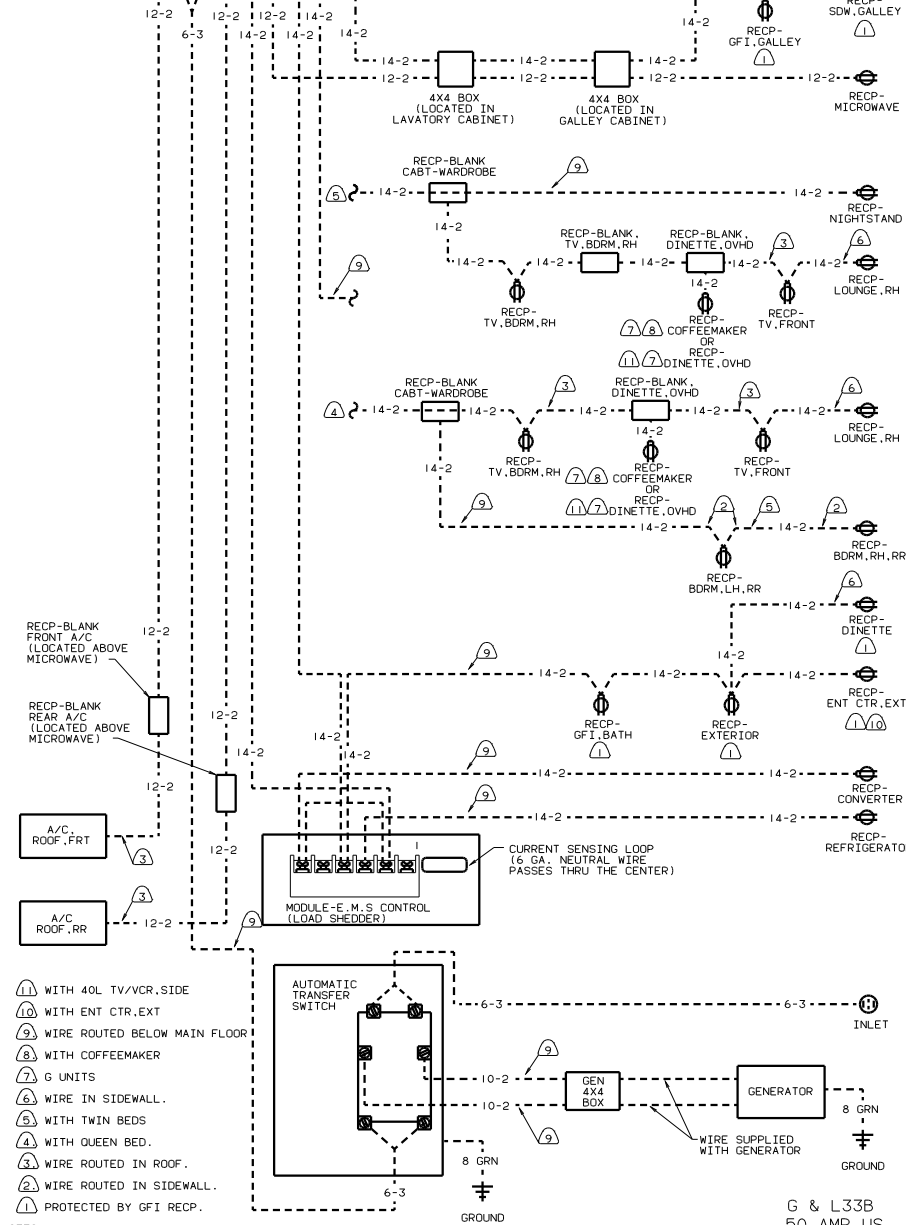
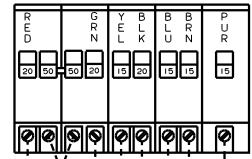
Danger of electrical shock, burns or death. Always remove all power sources before attempting any repair, service or diagnostic work. Power can be present from shore power, generator, inverter or battery. All power sources must be disabled and secured before performing any service.



CAUTION

If you lack the skills, tools or equipment to perform diagnostic or repair work leave such work to an authorized Winnebago Industries dealer or other qualified shop.

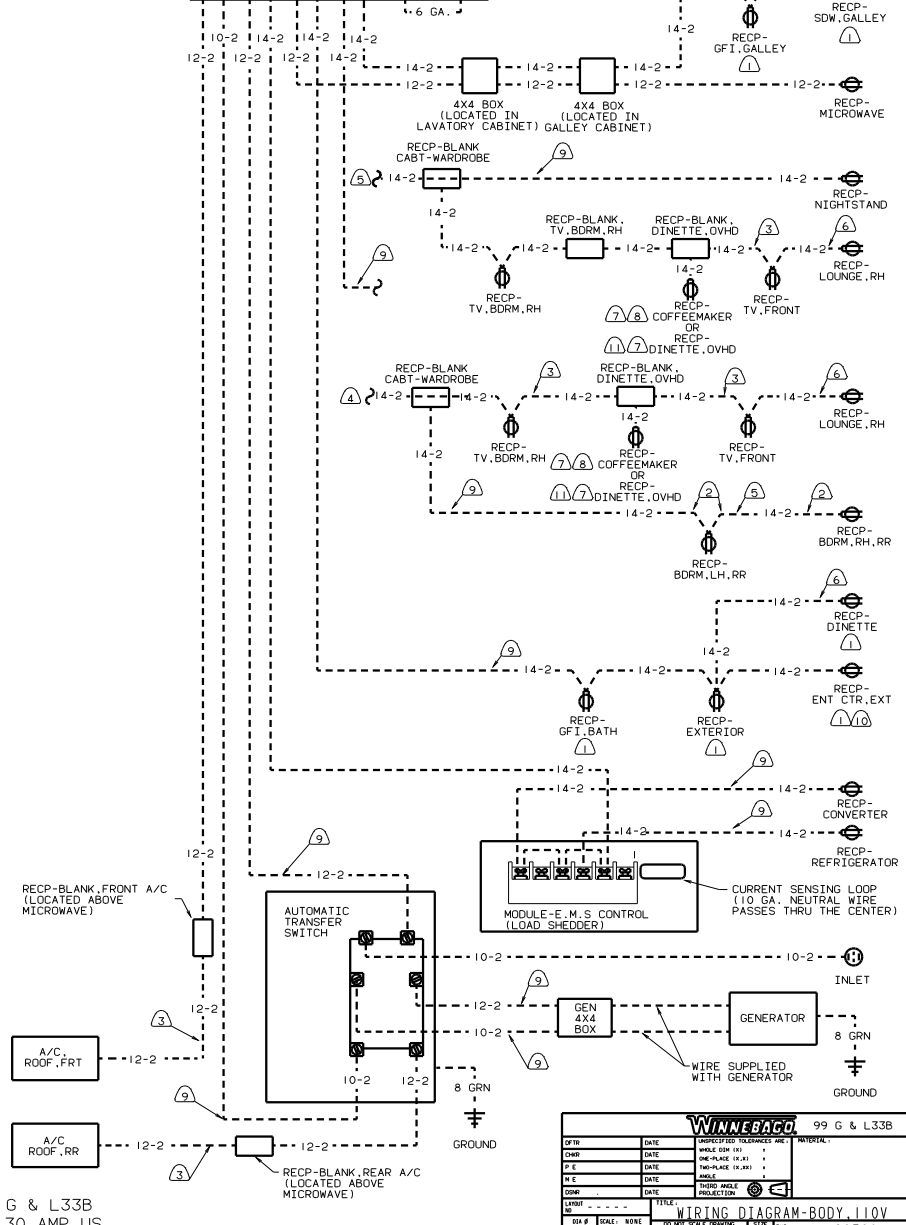
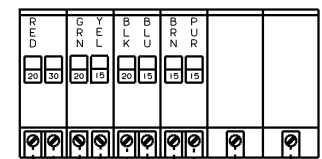
LOAD CENTER



- ① WITH 40L TV/VCR, SIDE
- ⑩ WITH ENT CTR, EXT
- ⑨ WIRE ROUTED BELOW MAIN FLOOR
- ⑧ WITH COFFEE MAKER
- ⑦ G UNITS
- ⑥ WIRE IN SIDEWALL.
- ⑤ WITH TWIN BEDS
- ④ WITH QUEEN BED.
- ③ WIRE ROUTED IN ROOF.
- ② WIRE ROUTED IN SIDEWALL.
- ① PROTECTED BY GFI RECP.

G & L33B
 50 AMP US

LOAD CENTER



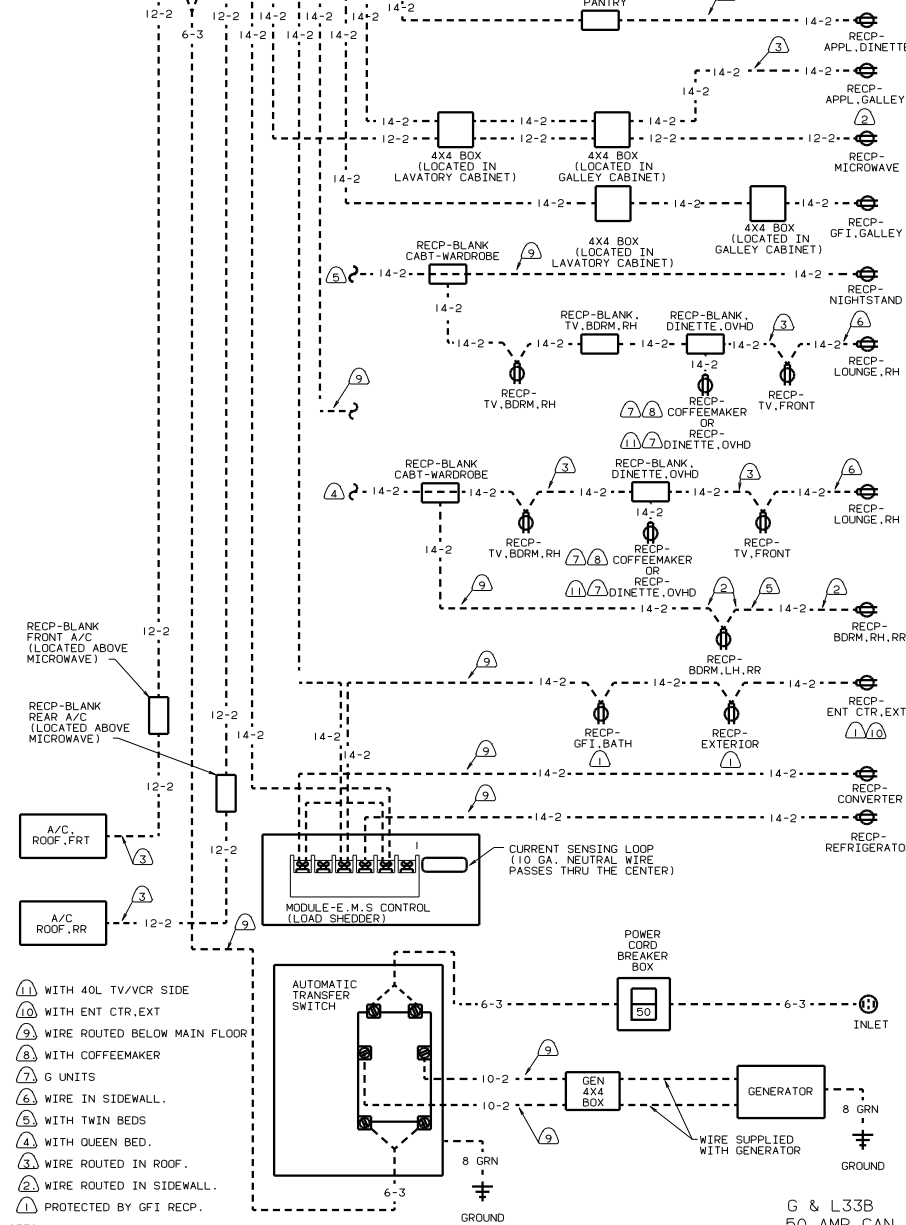
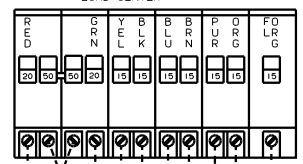
G & L33B
 30 AMP US

WINNEBAGO 99 G & L33B

DATE	DESCRIPTION	BY	CHKD
DATE	UNDESIGNED TOLERANCES ARE MATERIAL.		
DATE	WHOLE OR 1/2"		
DATE	ONE-PLACE (1/2")		
DATE	ONE-PLACE (1/2")		
DATE	ONE-PLACE (1/2")		
DATE	ONE-PLACE (1/2")		
DATE	ONE-PLACE (1/2")		
DATE	ONE-PLACE (1/2")		
DATE	ONE-PLACE (1/2")		
DATE	ONE-PLACE (1/2")		
DATE	ONE-PLACE (1/2")		
DATE	ONE-PLACE (1/2")		

WIRING DIAGRAM-BODY 110V
 SHEET 1 OF 2
 REF: 126608

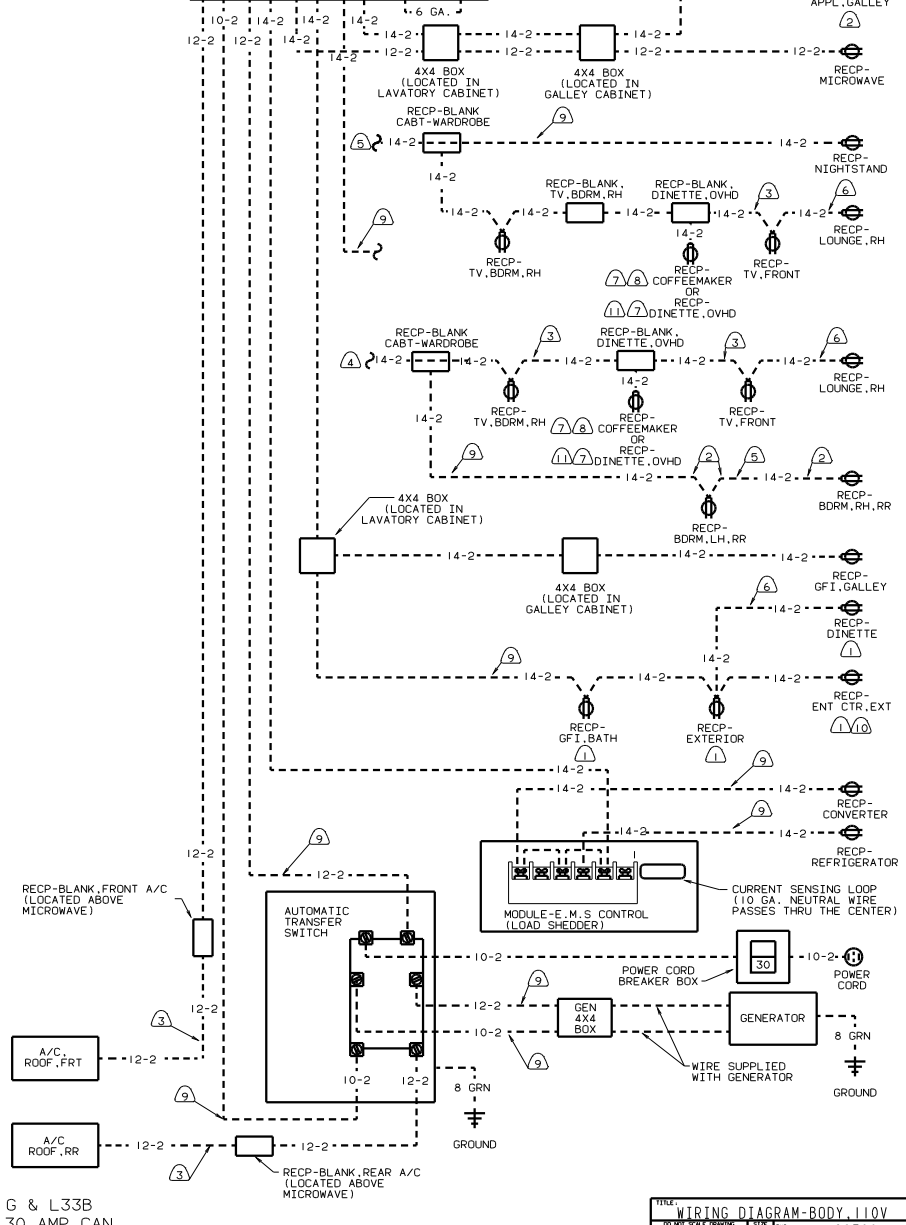
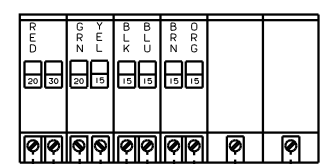
LOAD CENTER



- ① WITH 40L TV/VCR SIDE
- ⑩ WITH ENT. CTR. EXT
- ⑨ WIRE ROUTED BELOW MAIN FLOOR
- ⑧ WITH COFFEE/MAKER
- ⑦ G UNITS
- ⑥ WIRE IN SIDEWALL.
- ⑤ WITH TWIN BEDS
- ④ WITH QUEEN BED.
- ③ WIRE ROUTED IN ROOF.
- ② WIRE ROUTED IN SIDEWALL.
- ① PROTECTED BY GFI RECP.

G & L33B
50 AMP CAN

LOAD CENTER



G & L33B
30 AMP CAN