



DANGER

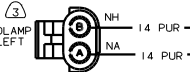
Danger of electrical shock, burns or death. Always remove all power sources before attempting any repair, service or diagnostic work. Power can be present from shore power, generator, inverter or battery. All power sources must be disabled and secured before performing any service.



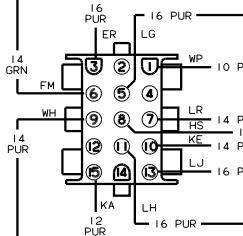
CAUTION

If you lack the skills, tools or equipment to perform diagnostic or repair work leave such work to an authorized Winnebago Industries dealer or other qualified shop.

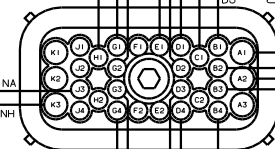
CONNECTS TO
WIRE ASM-HEADLAMP
(LOCATED AT LEFT
END OF FRONT
CROSSMEMBER)



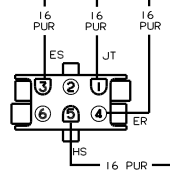
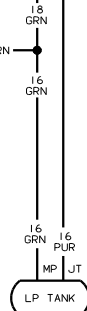
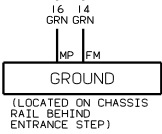
CONNECTS TO
WIRE ASM-
ELECTRICAL BOX
(SHT 1,F-3)
(LOCATED INSIDE
STORAGE COMPT
AHEAD OF
ENTRANCE STEP)



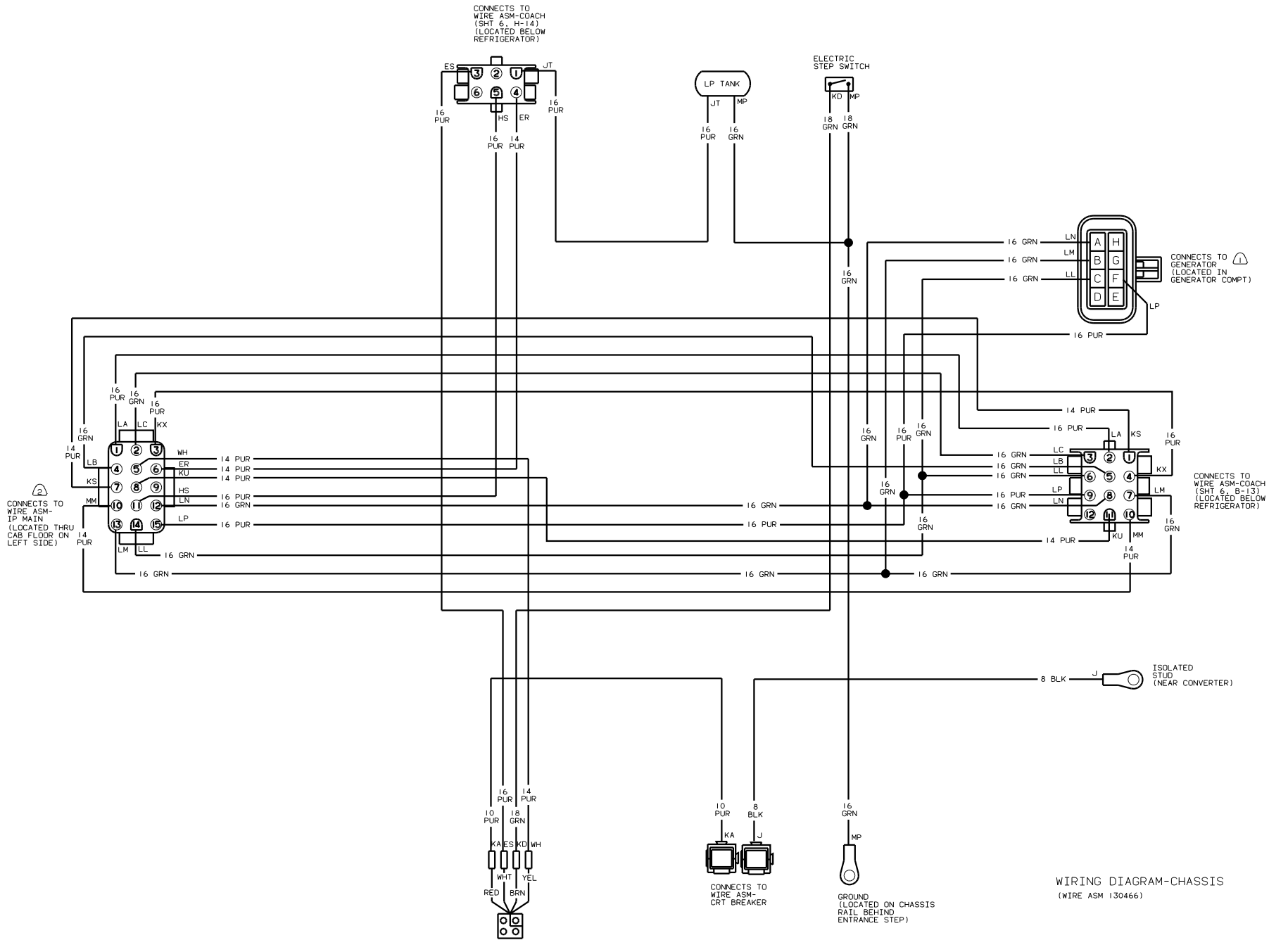
CONNECTS TO
WIRE ASM-TP MAIN
(LOCATE THRU CAB
FLOOR ON LEFT SIDE)



- NOTES:
- ⑤ WIRE MARKED WITH YELLOW TAPE.
 - ④ SEE MANUFACTURER'S DIAGRAM FOR ADDITIONAL INFORMATION.
 - ③ SEE WIRING DIAGRAM-AUTO LAMPS FOR ADDITIONAL INFORMATION.
 - ② SEE SHT 2 FOR ADDITIONAL INFORMATION
 - ① SEE WIRING DIAGRAM-AUTO FOR ADDITIONAL INFORMATION.



CONNECTS TO
WIRE ASM-COACH
(SHT 6,H-14)
(LOCATED BELOW
REFRIGERATOR)



WIRING DIAGRAM-CHASSIS (WIRE ASM 130466)

G33B

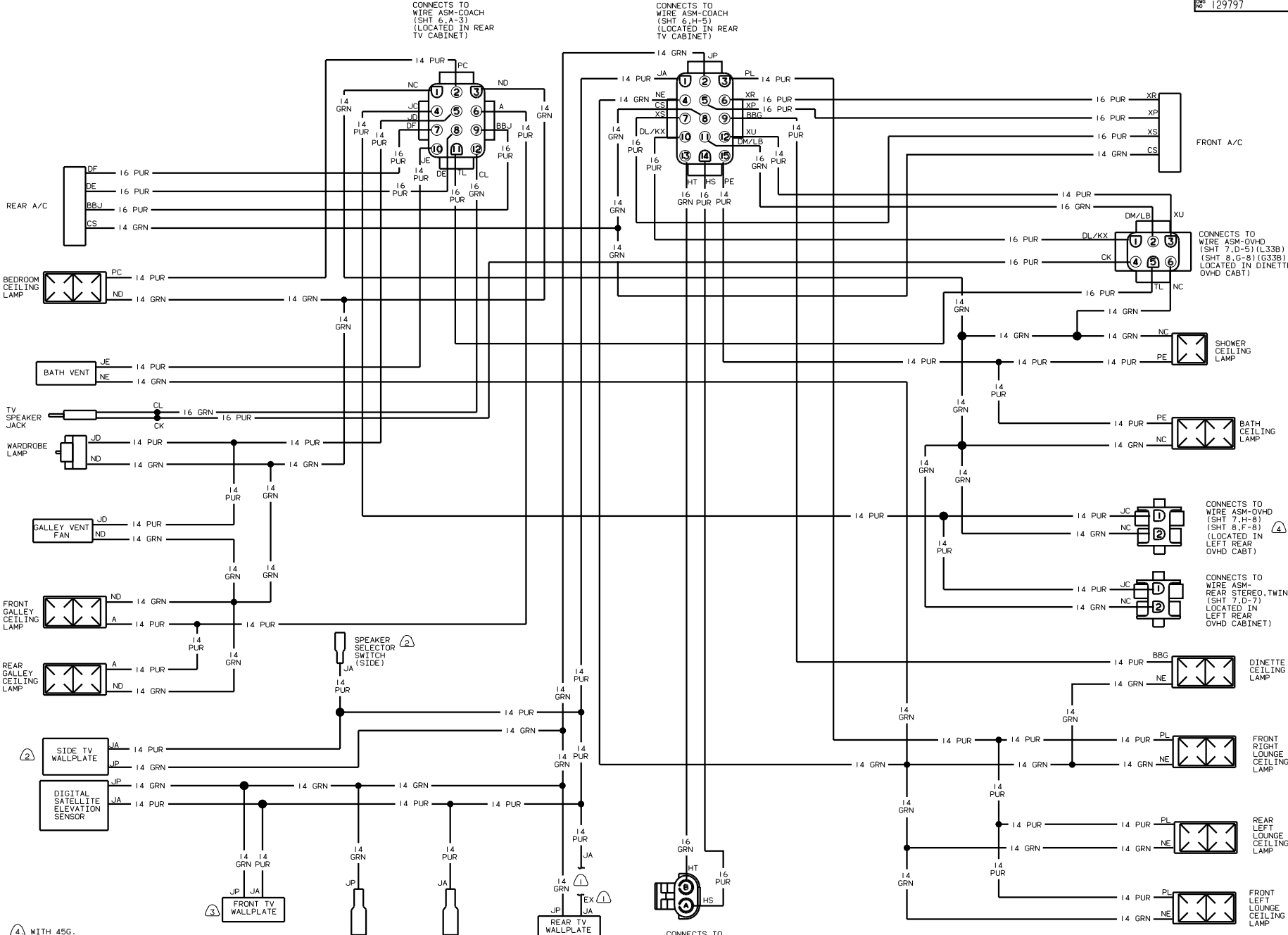
TITLE		WIRING DIAGRAM-BODY, 12V CHAS	
NO. OF SHEETS	2	TOTAL SHEETS	8
SHEET NO.	2	REV.	1.0
DATE		129797	

NOTES:

(2) SEE WIRING DIAGRAM-AUTO FOR ADDITIONAL INFORMATION.

(1) SEE MANUFACTURER'S DIAGRAM FOR ADDITIONAL INFORMATION.

CONNECTS TO ELECTRIC STEP

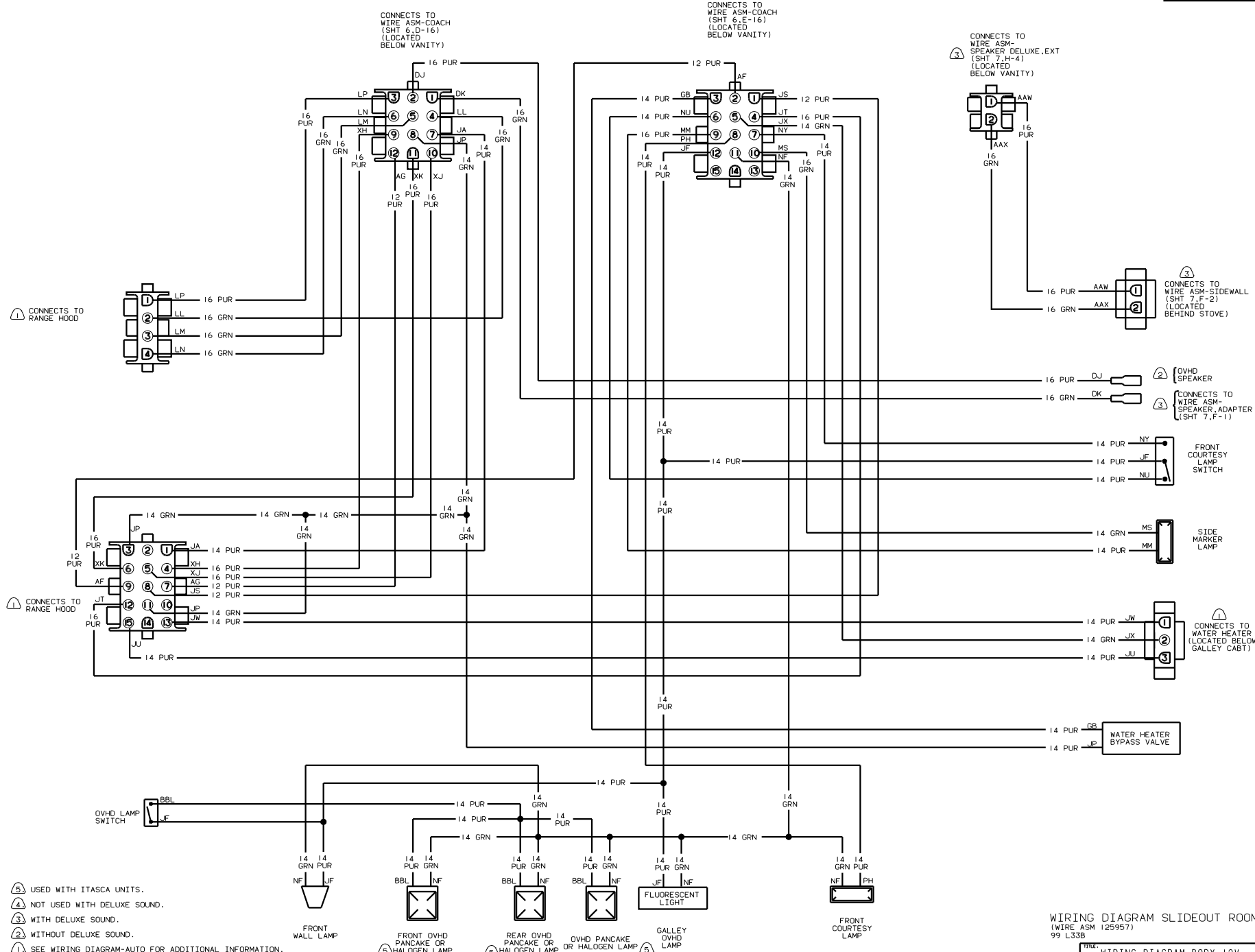


WIRING DIAGRAM-ROOF (WIRE ASM 130469)

99 G & L33B

TITLE		WIRING DIAGRAM-BODY, 12V, ROOF	
NO. OF SHEETS	16	OF	16
SHEET NO.	3	OF	8
DATE	1.6	REV	129797

- NOTES:
- ④ WITH 456.
 - ③ WITH 42T.
 - ② WITH 40L.
 - ① WITH BEDROOM TV OPTION SEE SHT 7, C-2 FOR TV SWITCH WIRING.



- ⑤ USED WITH ITASCA UNITS.
- ④ NOT USED WITH DELUXE SOUND.
- ③ WITH DELUXE SOUND.
- ② WITHOUT DELUXE SOUND.
- ① SEE WIRING DIAGRAM-AUTO FOR ADDITIONAL INFORMATION.

WIRING DIAGRAM SLIDEOUT ROOM
 (WIRE ASM 125957)
 99 L33B

TITLE		WIRING DIAGRAM-BODY_12V	
NO. OF SHEETS	DATE	REV.	NO.
4 OF 8		1	129797

CONNECTS TO WIRE ASM-COACH (SHT 6, D-16) (LOCATED BELOW VANITY)

CONNECTS TO WIRE ASM-COACH (SHT 6, E-16) (LOCATED BELOW VANITY)

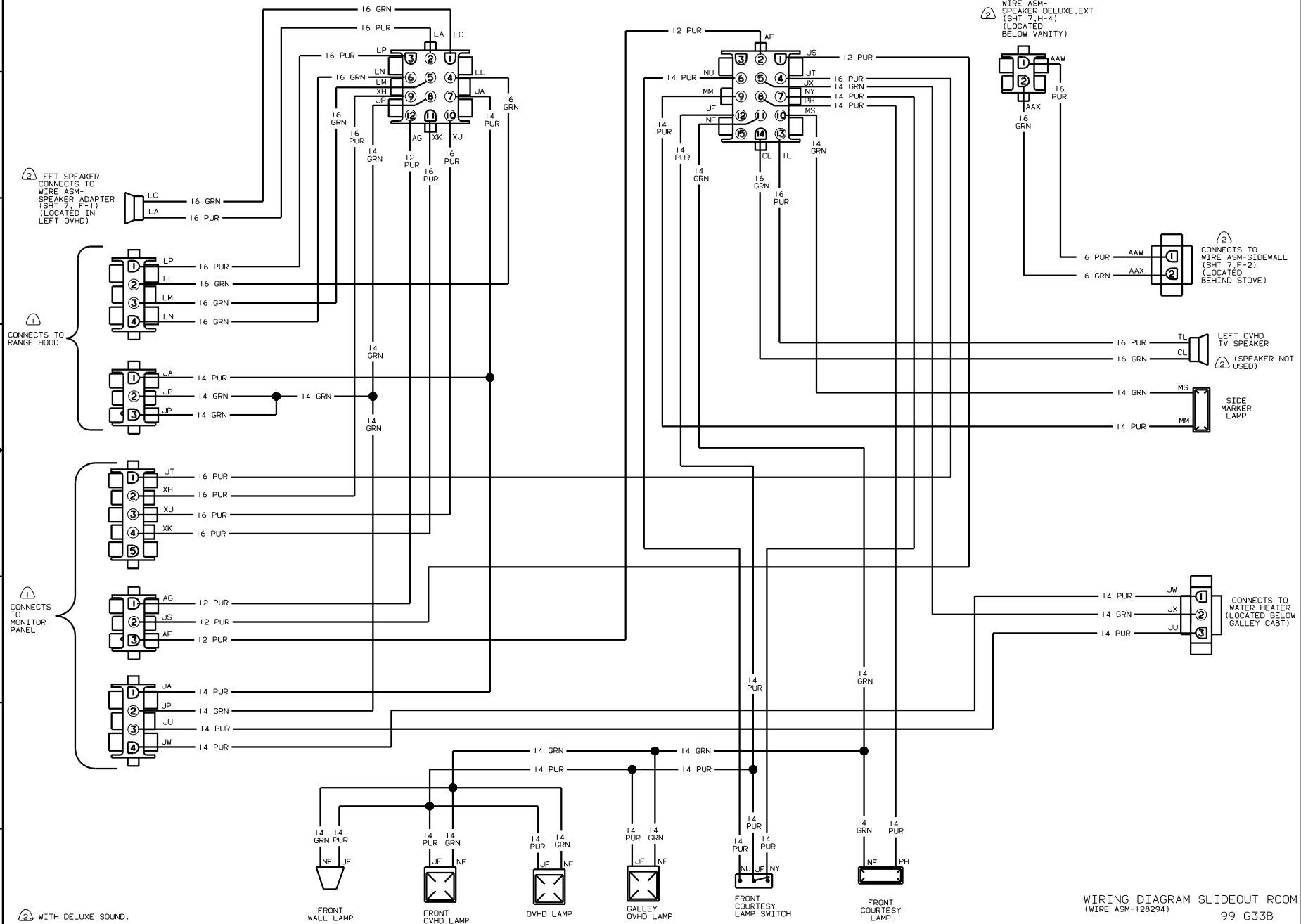
CONNECTS TO WIRE ASM-SPEAKER DELUXE, EXT (SHT 7, H-4) (LOCATED BELOW VANITY)

② LEFT SPEAKER CONNECTS TO WIRE ASM-SPEAKER ADAPTER (SHT 7, F-1) (LOCATED IN LEFT OVHD)

③ CONNECTS TO WIRE ASM-SIDEWALL (SHT 7, F-2) (LOCATED BEHIND STOVE)

② LEFT OVHD TV SPEAKER (SPEAKER NOT USED)

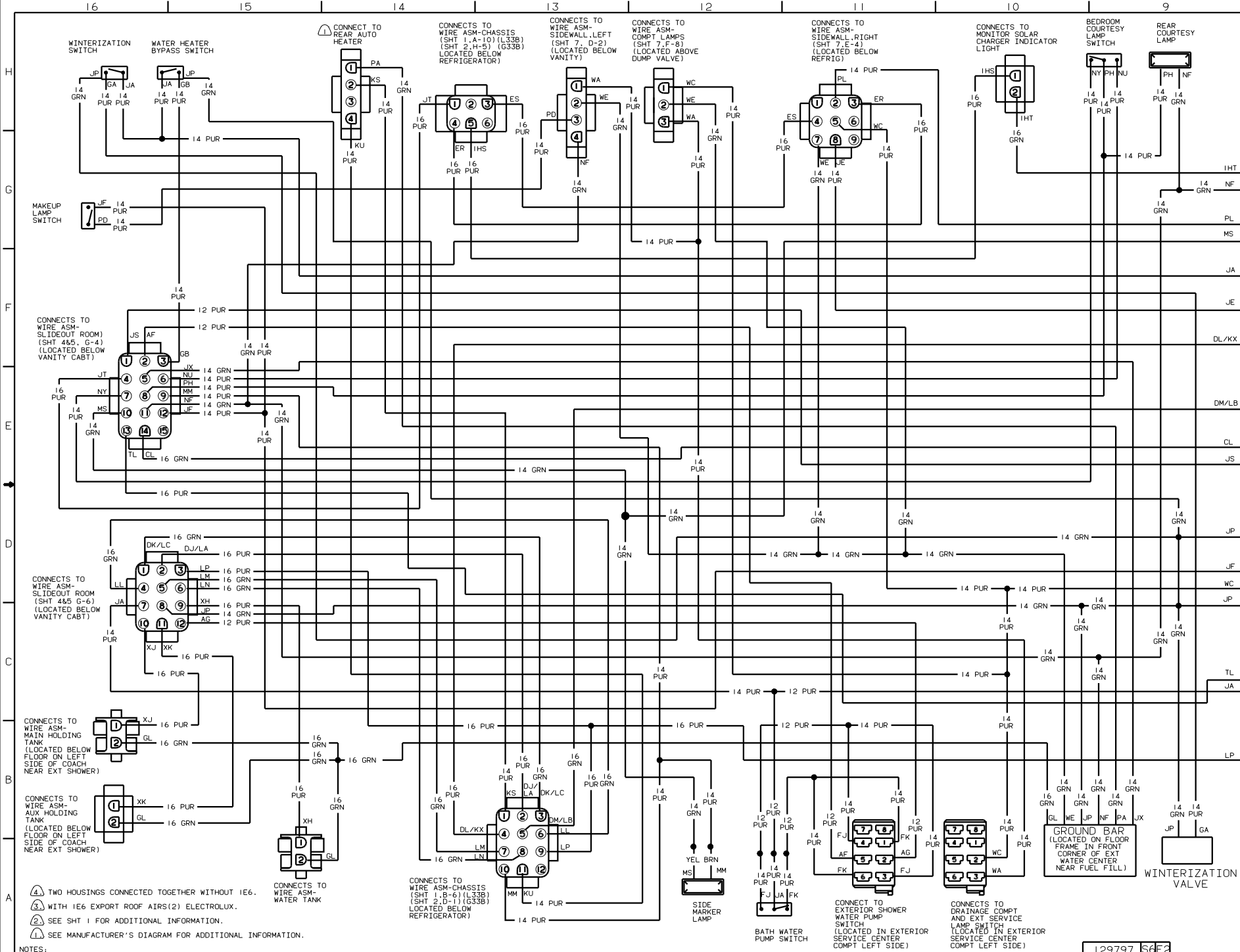
CONNECTS TO WATER HEATER (LOCATED BELOW GALLEY CABT)



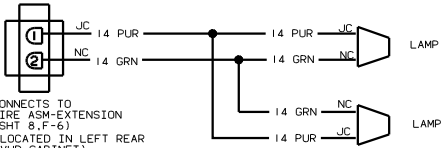
WIRING DIAGRAM SLIDEOUT ROOM (WIRE ASM-128294) 99 G33B

TITLE: WIRING DIAGRAM-BODY_12V	
30 DAY SCALE DRAWING	DATE: 1.6
SHEET 5 OF 8	DWG NO: 129797

NOTES:
② WITH DELUXE SOUND.
① SEE MANUFACTURER'S DIAGRAM FOR ADDITIONAL INFORMATION.

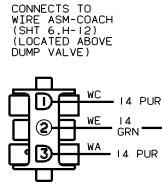


CONNECTS TO WIRE ASM-ROOF (SHT 3,D-1) (LOCATED IN LEFT REAR OVHD CABINET)

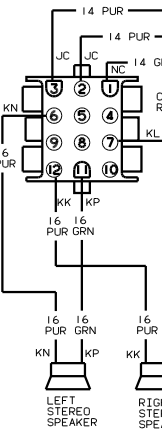


CONNECTS TO WIRE ASM-EXTENSION (SHT 6,F-6) (LOCATED IN LEFT REAR OVHD CABINET) (WITH TWIN BEDS)

WIRING DIAGRAM-OVHD REAR (WIRE ASM-125266-03)



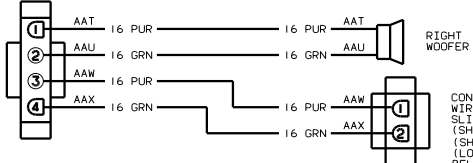
WIRING DIAGRAM-COMPT LAMPS (ROUTED IN FLOOR) (WIRE ASM 126039)



WIRING DIAGRAM-REAR STEREO (WIRE ASM 124336-03,-04)

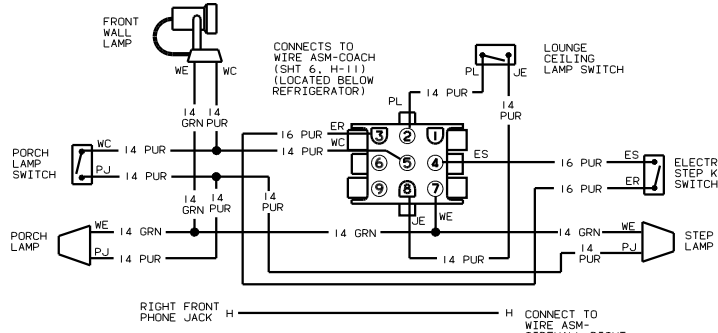
- ④ WITH BEDROOM TV
- ③ WITH DELUXE SOUND.
- ② WITHOUT DELUXE SOUND.
- ① SEE WIRING DIAGRAM-AUTO FOR ADDITIONAL INFORMATION.

CONNECTS TO WIRE ASM-AMPLIFIER

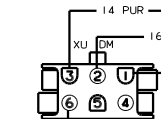


WIRING DIAGRAM-SPEAKER, DELUXE EXT (WIRE ASM-126087)

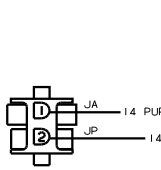
CONNECTS TO WIRE ASM-SLIDEOUT ROOM (SHT 4,H-2) (L33B) (SHT 5,F-1) (G33B) (LOCATED BELOW VANITY)



WIRING DIAGRAM-SIDEWALL, RIGHT (WIRE ASM 126100)

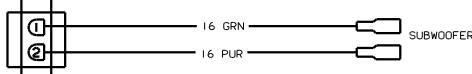


WIRING DIAGRAM OVHD (WIRE ASM 130467)



WIRING DIAGRAM ENTERTAINMENT CENTER (WIRE ASM-125853-01) (WITH EXTERIOR ENTERTAINMENT CENTER)

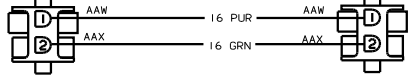
CONNECTS TO WIRE ASM-SIDEWALL, LEFT (SHT 7,G-1) (LOCATED BEHIND COUCH)



WIRING DIAGRAM-SPEAKER, DELUXE EXT (WIRE ASM-124864)

CONNECTS TO WIRE ASM-SLIDEOUT ROOM (SHT 4,F-1) (L33B) (SHT 5,F-1) (G33B) (LOCATED BEHIND STOVE)

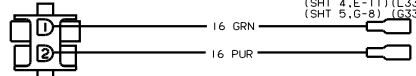
CONNECTS TO WIRE ASM-SPEAKER, DELUXE EXT (SHT 7,H-2) (LOCATED BEHIND COUCH)



WIRING DIAGRAM-SIDEWALL, LEFT (WIRE ASM-125866-01)

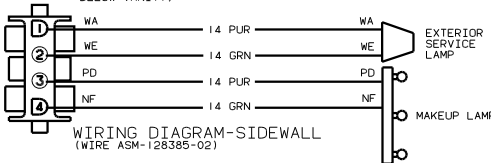
CONNECTS TO SPEAKER (LOCATED IN FRONT OVHDS)

CONNECTS TO WIRE ASM-OVHD (SHT 7,D-4) OR WIRE ASM-SLIDEOUT ROOM (SHT 4,E-1) (L33B) (SHT 5,G-8) (G33B)

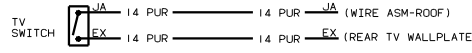


WIRING DIAGRAM-SPEAKER, ADAPTER (WIRE ASM-124843-01,03,05)

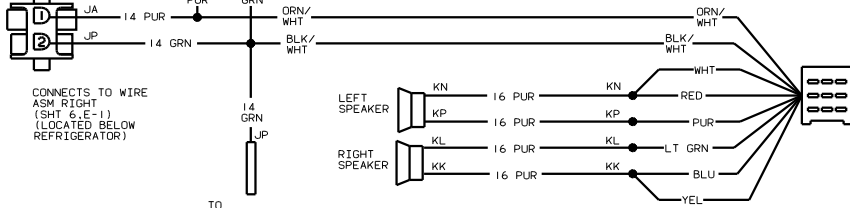
CONNECTS TO WIRE ASM-COACH (SHT 6,H-13) (LOCATED BELOW VANITY)

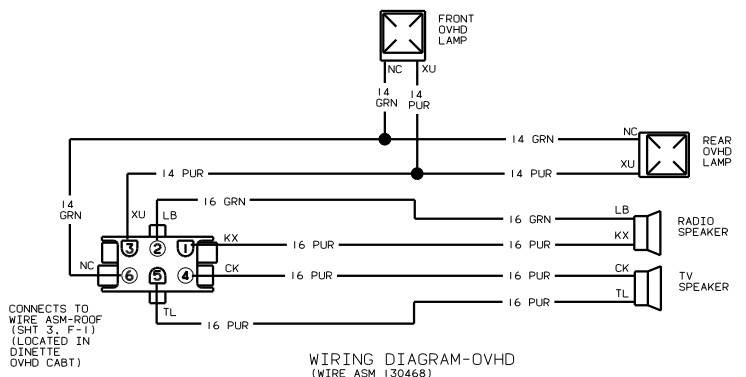


WIRING DIAGRAM-SIDEWALL (WIRE ASM-128385-02)



WIRING DIAGRAM TV, SWITCH (WIRE ASM 126819)

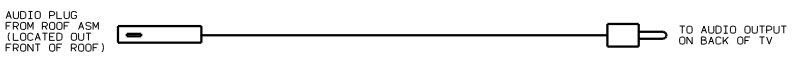




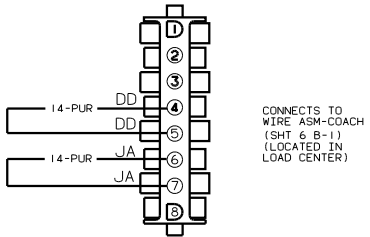
WIRING DIAGRAM-OVHD
(WIRE ASM 130468)
(W/O DELUXE SOUND) 99 G33B



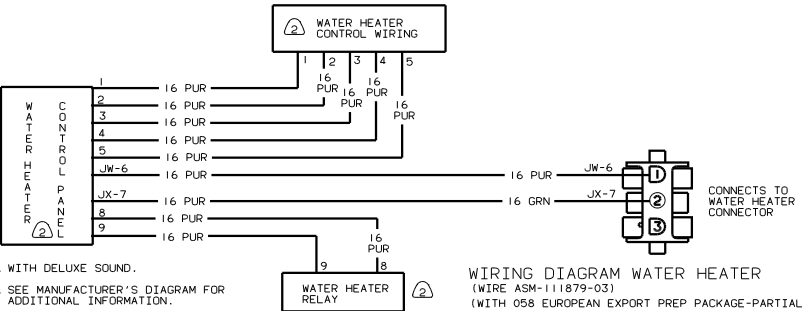
WIRING DIAGRAM OVHD REAR EXT
(WIRE ASM 130858)
(WITH TWIN BEDS)



WIRING DIAGRAM AUDIO EXT
(WIRE ASM 131585)
(WITH 40L - G-SERIES)

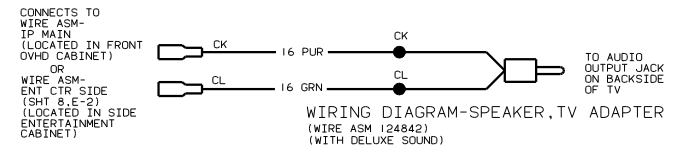


WIRING DIAGRAM JUMPER
(WIRE ASM-130106-01)
(WITH 058 EUROPEAN EXPORT PREP PACKAGE-PARTIAL)

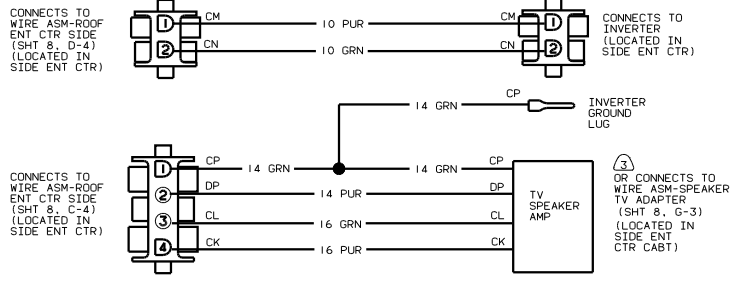


WIRING DIAGRAM WATER HEATER
(WIRE ASM-111879-03)
(WITH 058 EUROPEAN EXPORT PREP PACKAGE-PARTIAL)

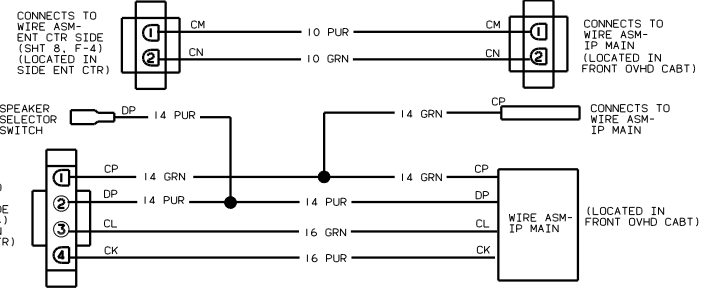
- ③ WITH DELUXE SOUND.
- ② SEE MANUFACTURER'S DIAGRAM FOR ADDITIONAL INFORMATION.
- ① WIRE ROUTED IN SIDEWALL.



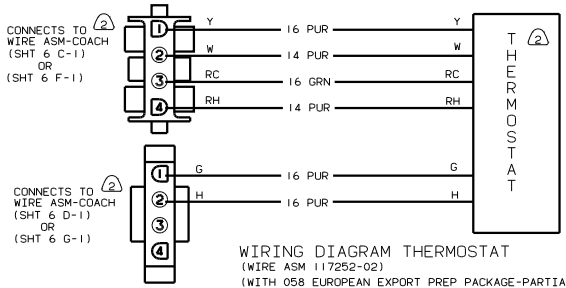
WIRING DIAGRAM-SPEAKER,TV ADAPTER
(WIRE ASM 124842)
(WITH DELUXE SOUND)



WIRING DIAGRAM ENT CTR SIDE
(WIRE ASM 124723) (WITH 40L-TV 19" MID COACH W/VIDEO SELECTOR)



WIRING DIAGRAM ROOF ENT CTR SIDE
(WIRE ASM 124724-02) (WITH 40L-TV 19" MID COACH W/VIDEO SELECTOR)



WIRING DIAGRAM THERMOSTAT
(WIRE ASM 117252-02)
(WITH 058 EUROPEAN EXPORT PREP PACKAGE-PARTIAL)