



DANGER

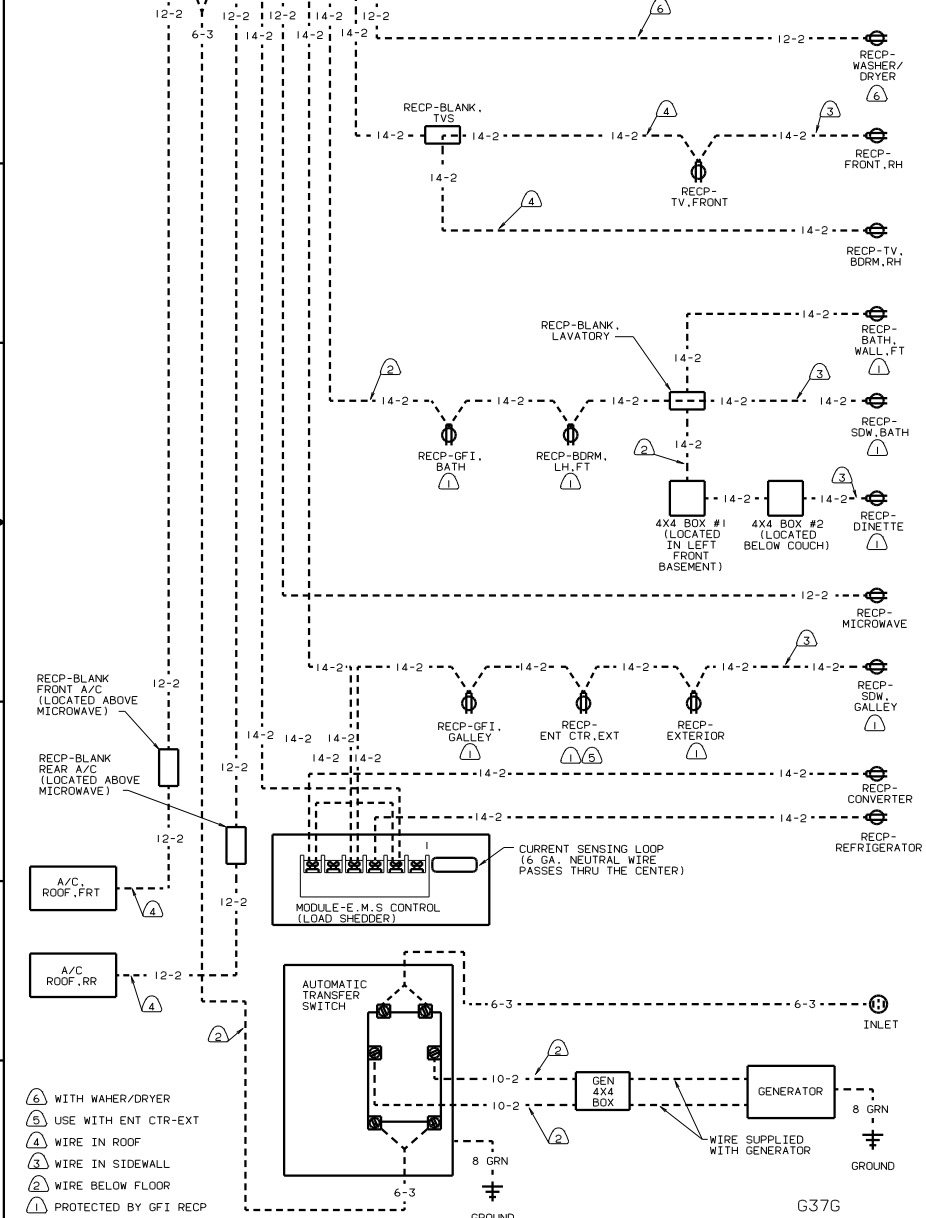
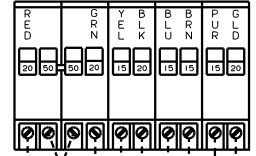
Danger of electrical shock, burns or death. Always remove all power sources before attempting any repair, service or diagnostic work. Power can be present from shore power, generator, inverter or battery. All power sources must be disabled and secured before performing any service.



CAUTION

If you lack the skills, tools or equipment to perform diagnostic or repair work leave such work to an authorized Winnebago Industries dealer or other qualified shop.

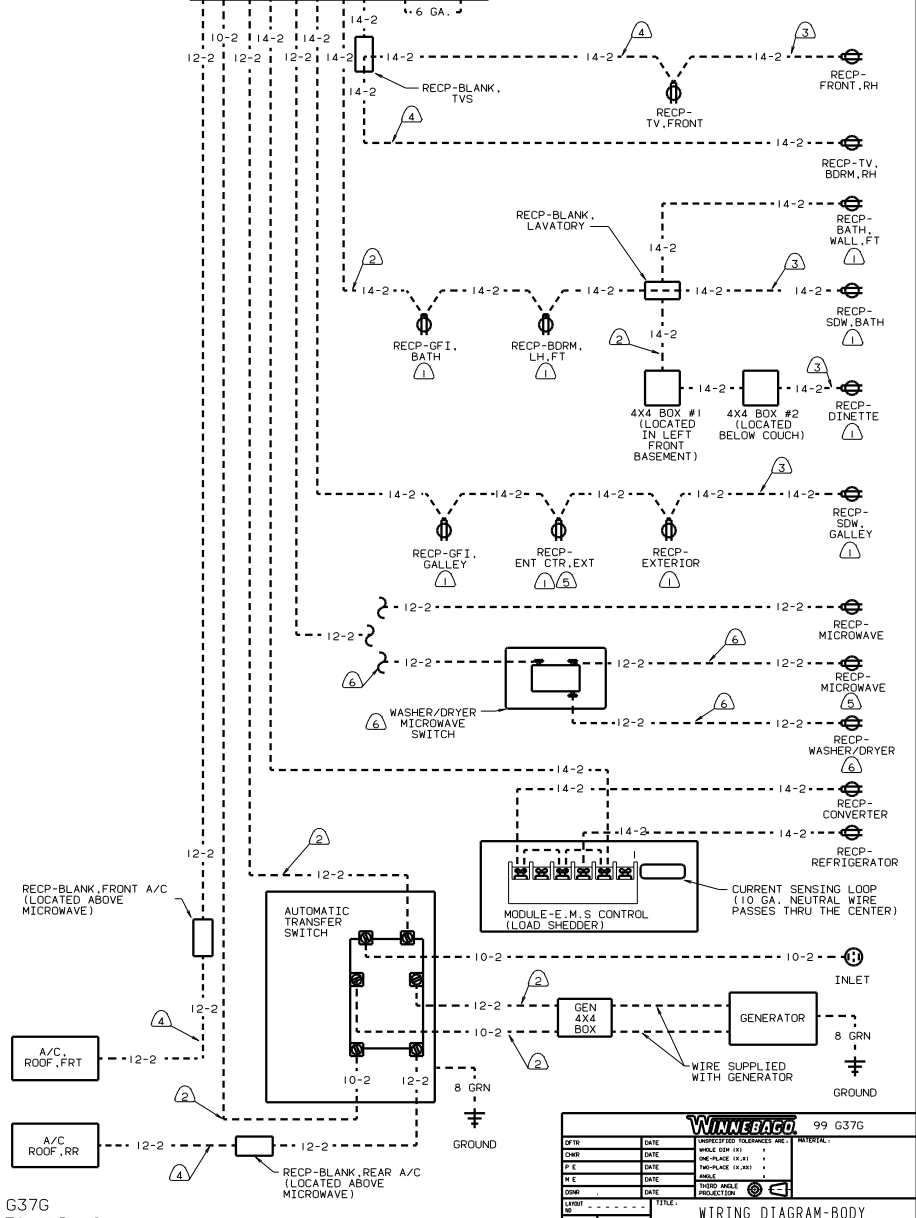
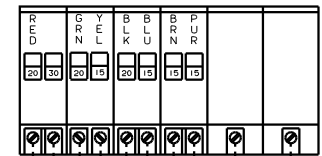
LOAD CENTER



- (6) WITH WAHER/DRYER
- (5) USE WITH ENT CTR-EXT
- (4) WIRE IN ROOF
- (3) WIRE IN SIDEWALL
- (2) WIRE BELOW FLOOR
- (1) PROTECTED BY GFI RECP

G37G
50 AMP US

LOAD CENTER



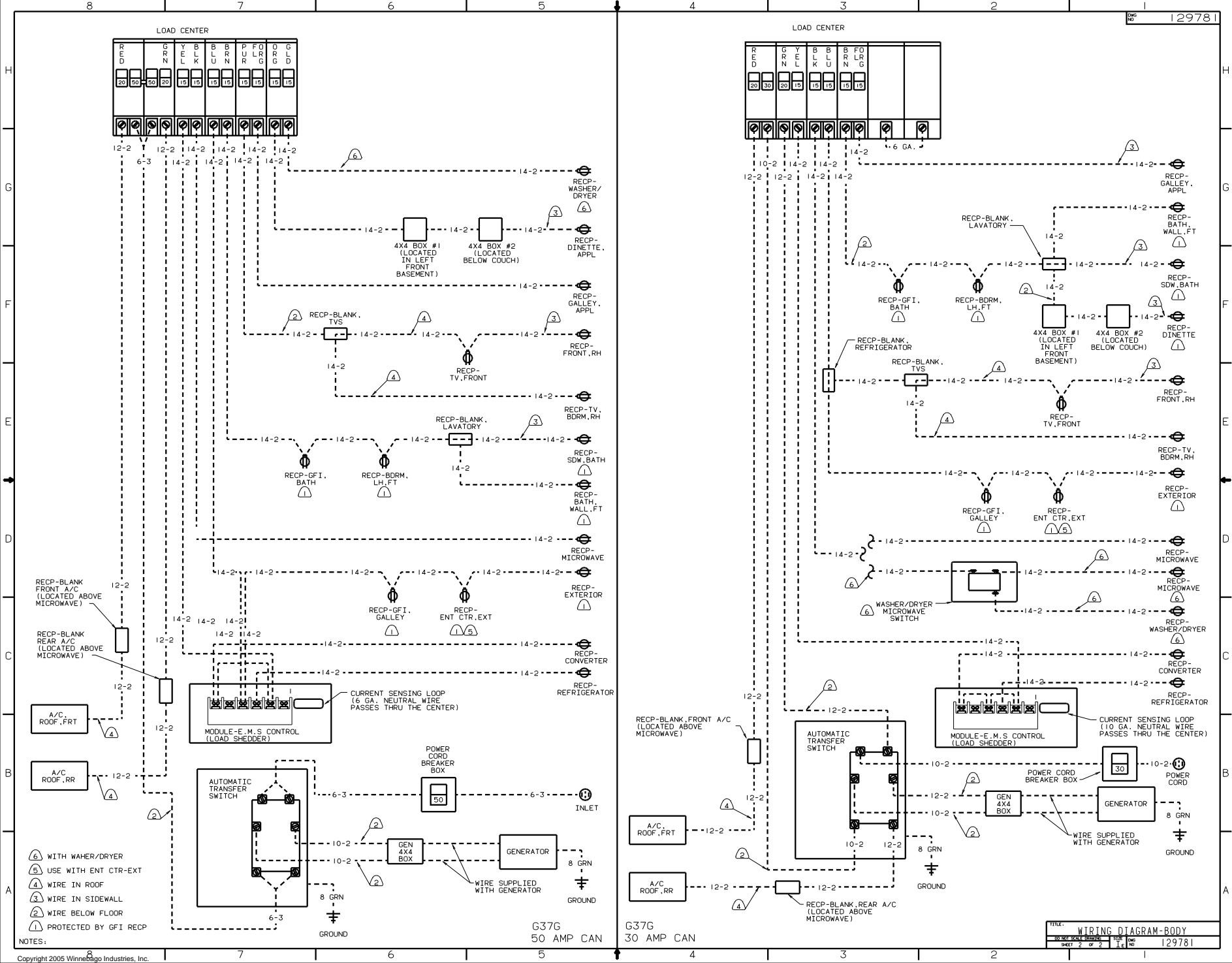
G37G
30 AMP US

WINNEBAGO		99 G37G
DATE	UNSPECIFIED TOLERANCES ARE	MATERIAL
DATE	WHOLE OR 1/2	
DATE	ONE-PHASE (1.41)	
DATE	THREE-PHASE (1.73)	
DATE	ANGLE	
DATE	INDICATE WAVE	
DATE	INDICATE	

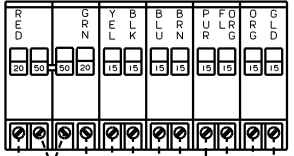
WIRING DIAGRAM-BODY

REV # SCALE: NONE TO THE SCALE SHOWN SHEET 1 OF 2

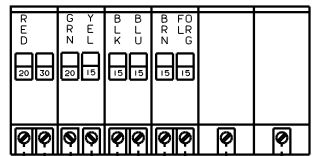
129781



LOAD CENTER



LOAD CENTER



REC-P-BLANK FRONT A/C (LOCATED ABOVE MICROWAVE)

REC-P-BLANK REAR A/C (LOCATED ABOVE MICROWAVE)

A/C ROOF, FRT

A/C ROOF, RR

- ⑥ WITH WASH/DRYER
- ⑤ USE WITH ENT CTR-EXT
- ④ WIRE IN ROOF
- ③ WIRE IN SIDEWALL
- ② WIRE BELOW FLOOR
- ① PROTECTED BY GFI RECP

G37G
50 AMP CAN

G37G
30 AMP CAN