



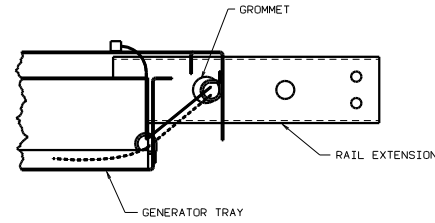
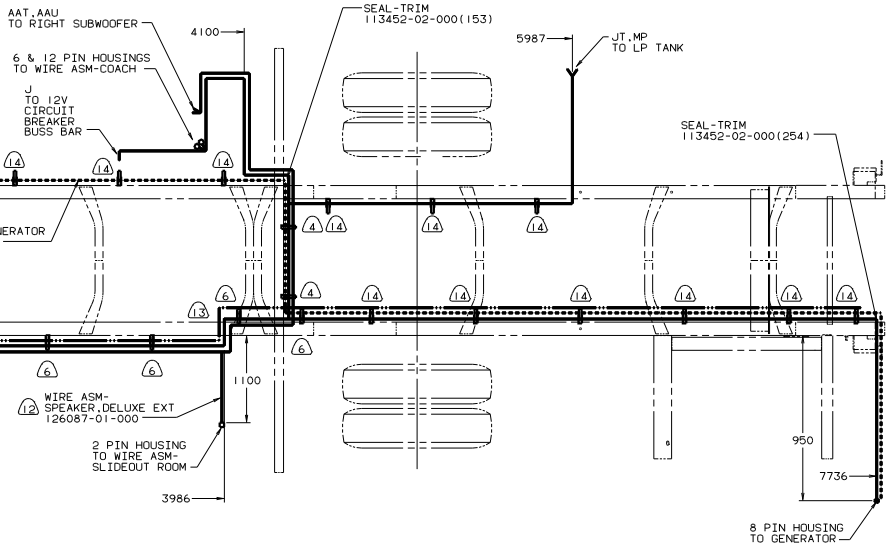
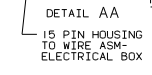
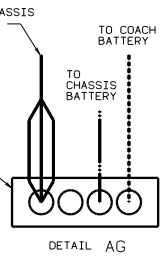
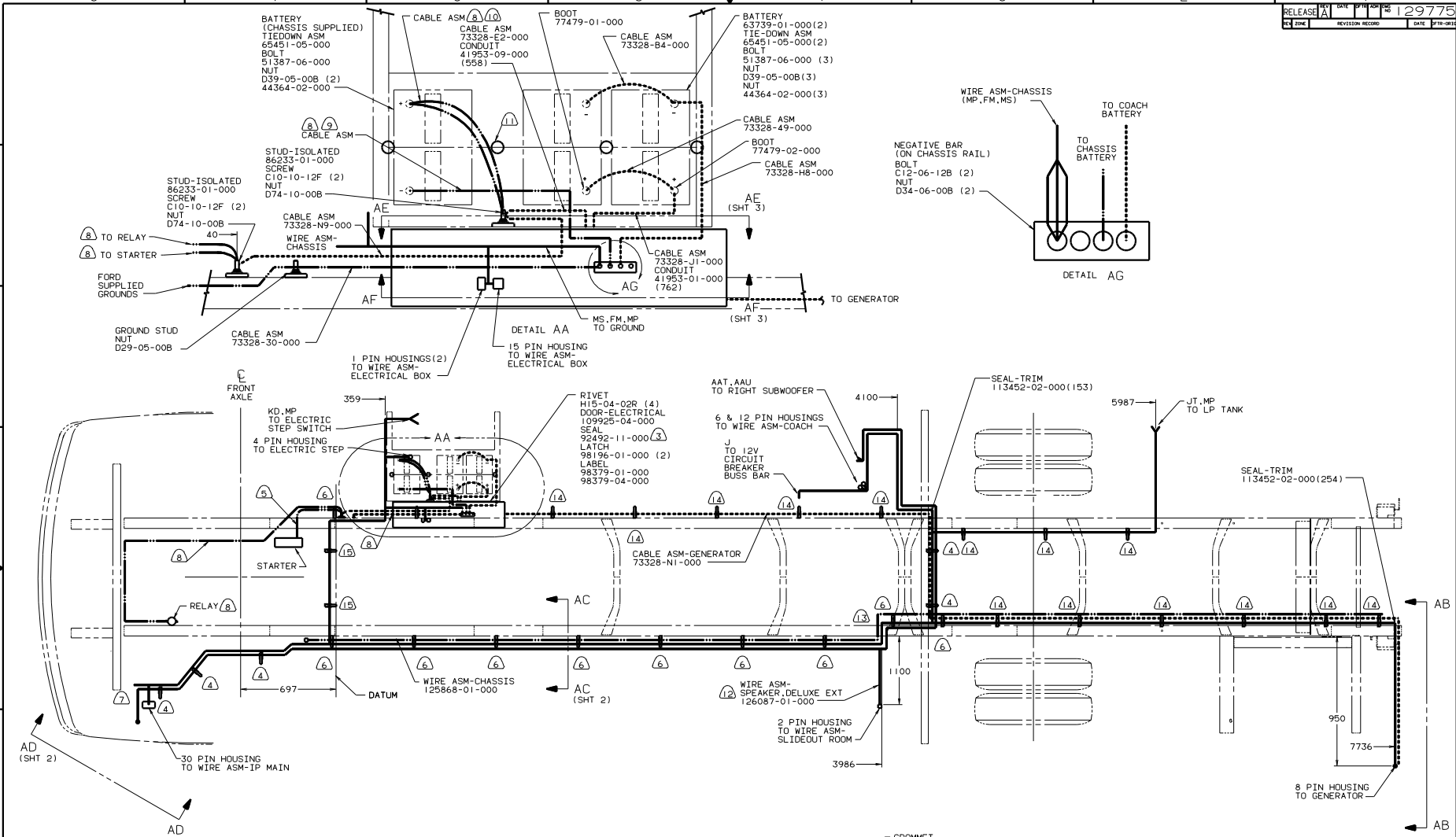
DANGER

Danger of electrical shock, burns or death. Always remove all power sources before attempting any repair, service or diagnostic work. Power can be present from shore power, generator, inverter or battery. All power sources must be disabled and secured before performing any service.



CAUTION

If you lack the skills, tools or equipment to perform diagnostic or repair work leave such work to an authorized Winnebago Industries dealer or other qualified shop.



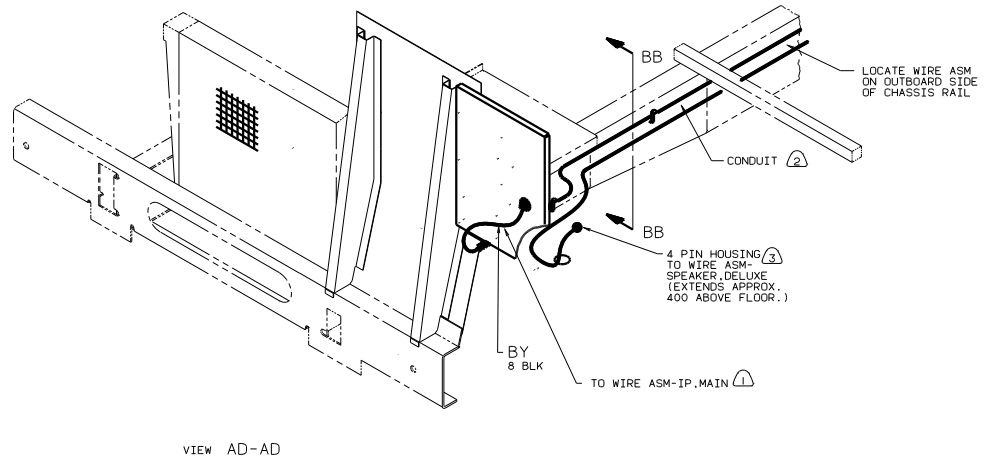
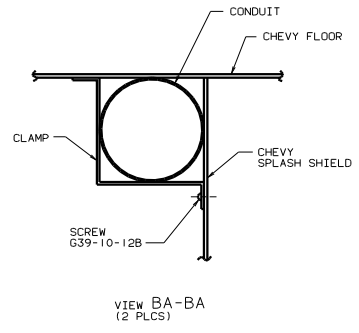
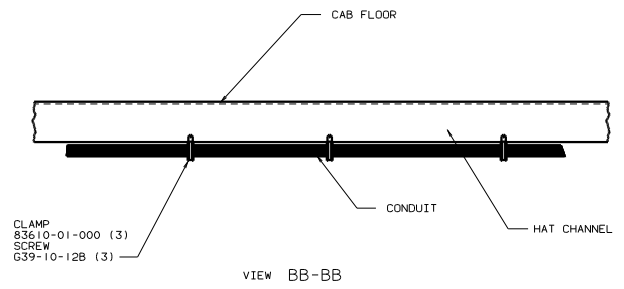
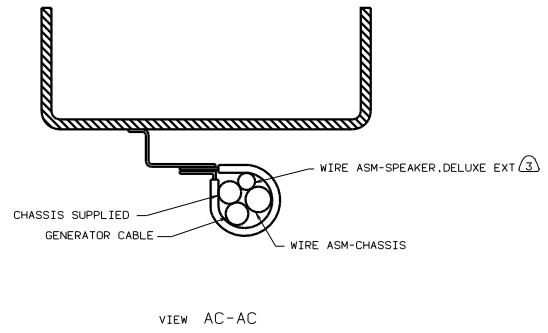
- (2) WITH DELUXE SOUND. (21V).
- (1) USE TWO NUTS HERE TO ACCOUNT FOR BATTERY HEIGHT DIFFERENCE.
- (10) CUT 4 AND 6GA CABLES 500MM FROM BATTERY TERMINAL. ADD TERMINAL 8331-01-000(2) TO 4GA CABLES AND TERMINAL 8350-01-000(2) TO 6GA CABLES, CONNECT ALL FOUR TERMINALS TO ISOLATED STUD.
- (9) TRIM CABLE TO 600MM, ADD TERMINAL 8348-01-000.
- (8) SUPPLIED WITH CHASSIS.
- (7) SEE WIRING INSTL-FRONT END FOR ADDITIONAL INFORMATION.
- (6) CLAMP 10497-02-000 AND SCREW G39-08-000.
- (5) BATTERY CABLE MUST BE INSTALLED TO STARTER MOTOR BEFORE ENGINE WIRING HARNESS AND ROUTED IN SUCH A MANNER AS TO PREVENT ANY POSSIBLE DEGRADATION FROM THE EXHAUST SYSTEM.
- (4) CLAMP 83610-01-000, SCREW G39-08-12B.
- (3) PLACE AROUND ENTIRE PERIMETER OF DOOR WITH SEAM AT TOP.
 - 2. SECURE CONDUIT 41953-01-02, -03, -10 AND -11 OVER ALL WIRES IN CONTACT WITH SHARP EDGES.

- (1B) USE WIRE TIE 8343-03-000.
- (1A) CLAMP 83609-01-000 AND SCREW G39-08-000.
- (1) ROUTE CABLES OVER CHASSIS RAIL IN THIS AREA. FOLLOW ORIGINAL CABLE PATHS INSIDE RAIL.

FOR ELECTRICAL TORQUE SPECIFICATIONS SEE DWG NO. 128783-01-000

161 USA STANDARDS
265 CANADIAN HOUSING AND MOTOR VEHICLE STANDARDS
16M FORD-20,500# GVWR

WINNEBAGO		99 L33B
OF IN	DATE	UNSPECIFIED TOLERANCES ARE:
CHP	DATE	FR. PL. (FR. PL.)
DR	DATE	FR. PL. (FR. PL.)
D/E	DATE	FR. PL. (FR. PL.)
COMP	DATE	FR. PL. (FR. PL.)
LAUNCH	DATE	FR. PL. (FR. PL.)
TITLE: WIRING INSTL-CHASSIS		
BY	SCALE	NO. TO THE SCALE
ALL DIMENSIONS ARE IN MILLIMETERS	SHEET 1 OF 3	129775

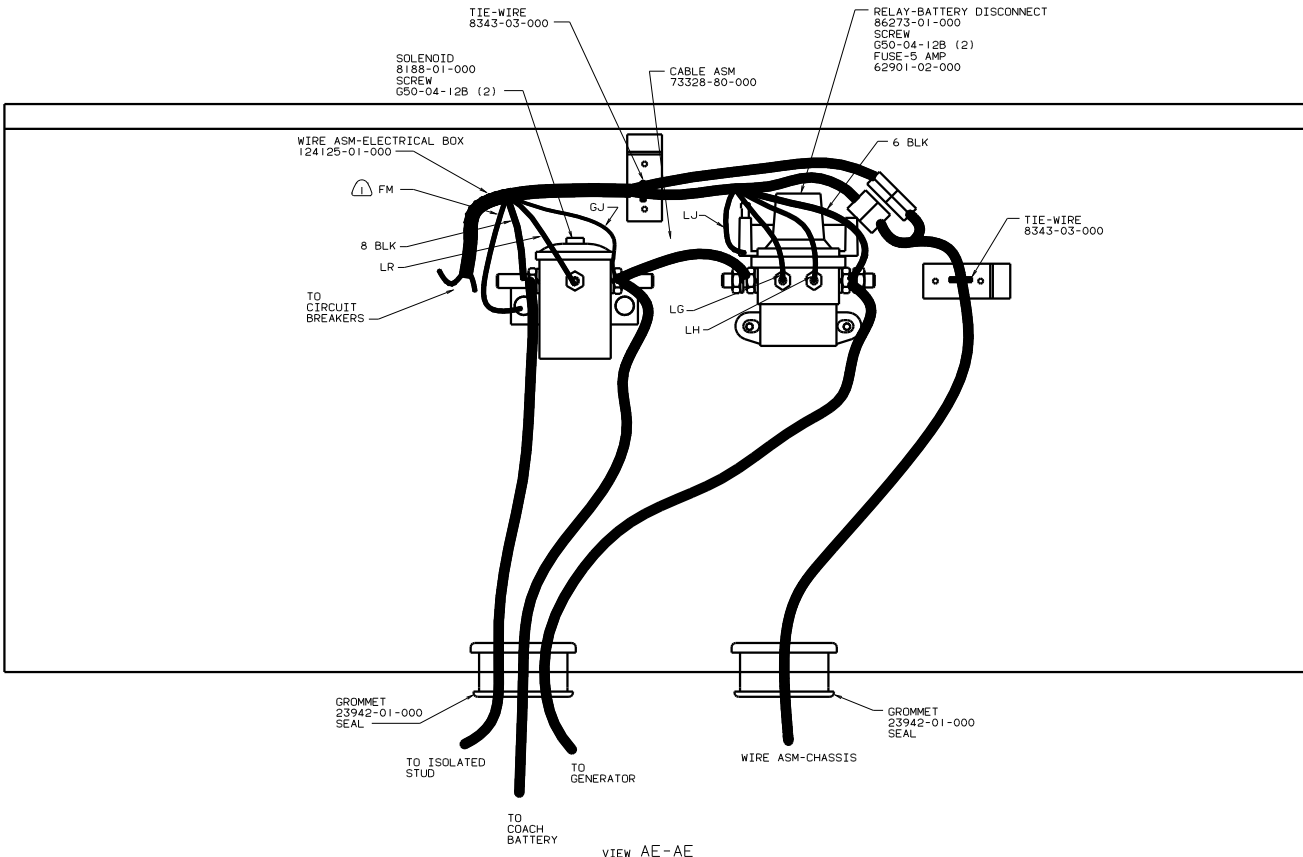


- NOTES:
- (3) USE WITH DELUXE SOUND. (21V)
 - (2) COVER WITH CONDUIT 41953-10-000 AND 41953-11-000 AS REQUIRED.
 - (1) FOR ADDITIONAL INFORMATION SEE WIRING INSTALLATION FRONT END.

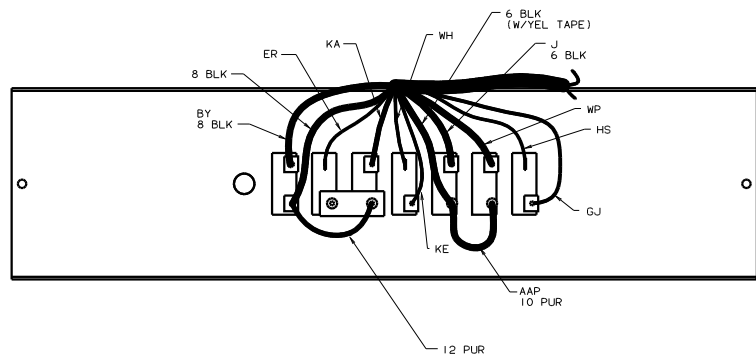
FOR ELECTRICAL TORQUE SPECIFICATIONS SEE DWG NO. 128783-01-000

99 L33B

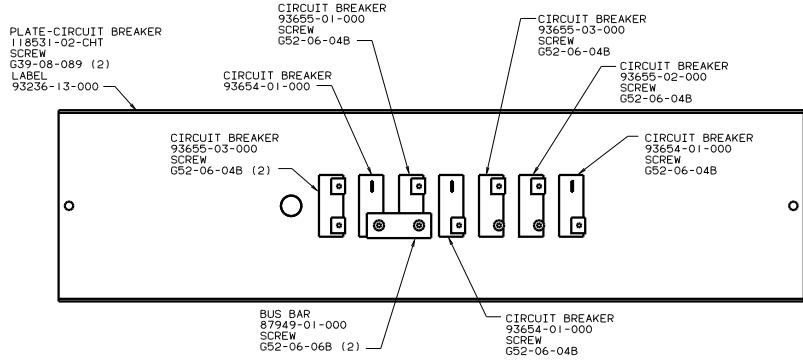
TITLE: WIRING INSTL-CHASSIS	
NO. OF SHEETS: 3	SHEET NO. 2 OF 3
DATE: 1/16/00	DWG. NO. 129775



VIEW AE-AE



VIEW AF-AF (WIRING)



VIEW AF-AF (HARDWARE)

NOTES: SECURE WITH SOLENOID MOUNTING SCREW.

FOR ELECTRICAL TORQUE SPECIFICATIONS SEE DWG NO. 128783-01-000

TITLE: WIRING INSTL-CHASSIS
 SHEET 3 OF 3

99 L33B