



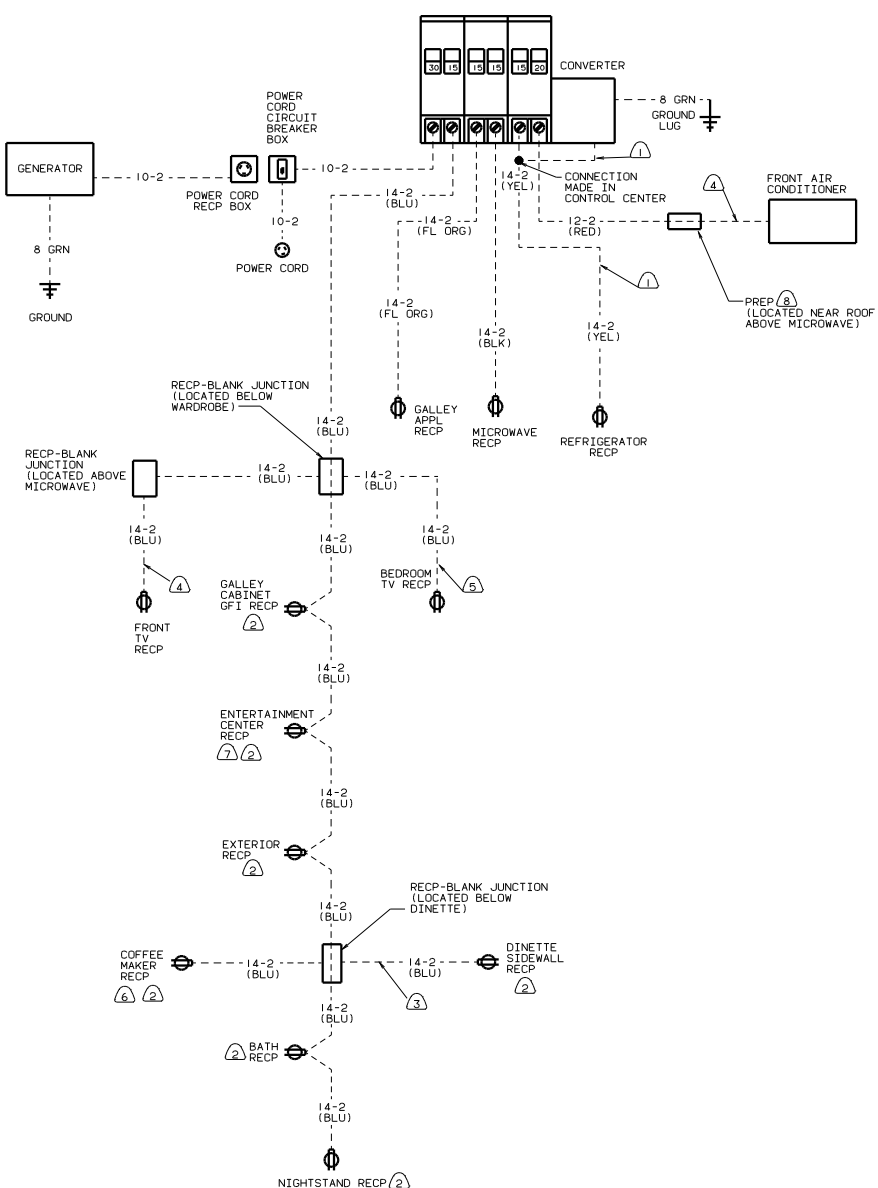
DANGER

Danger of electrical shock, burns or death. Always remove all power sources before attempting any repair, service or diagnostic work. Power can be present from shore power, generator, inverter or battery. All power sources must be disabled and secured before performing any service.



CAUTION

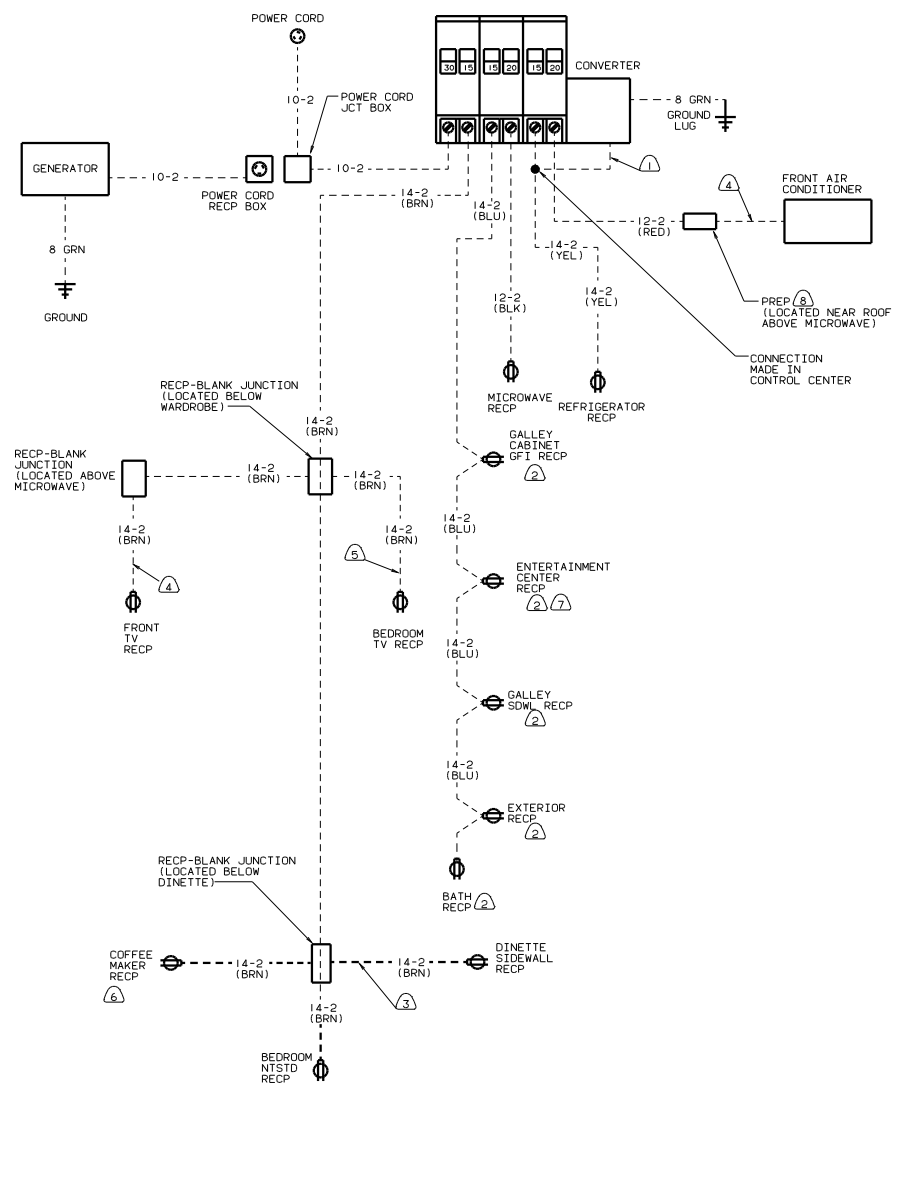
If you lack the skills, tools or equipment to perform diagnostic or repair work leave such work to an authorized Winnebago Industries dealer or other qualified shop.



12D ELECTRICAL SYS-30 AMP
 265 CODE STANDARDS-CSA

- ⑦ 76C ENTERTAINMENT CTR-EXT W/CASSETTE.
- ⑥ 26U COFFEE MAKER.
- ⑤ 44X BED-QUEEN, SIDEWALL. WIRE IN SIDEWALL.
- ④ WIRE ROUTED IN ROOF.
- ③ WIRE ROUTED IN SIDEWALL.
- ② PROTECTED BY GROUND FAULT INTERRUPTER RECP.
- ① LEAD SUPPLIED WITH CONVERTER.

⑧ NOT USED WITH 250 A/C ROOF-ONE, 14,800.



12D ELECTRICAL SYS-30 AMP
 I B1 CODE STANDARDS-USA

| | | |
|-----------------------------------|-------|-------------------------------------|
| WINNEBAGO | | 99 F26P |
| OF IN | DATE | UNSPECIFIED TOLERANCES ARE MATERIAL |
| CHKD | DATE | WHOLE DIM IN |
| DWG | DATE | ONE-PLACE IN .01 |
| D/E | DATE | TWO-PLACE IN .001 |
| DATE | DATE | ANGLE |
| DATE | DATE | INDIC. W/ANGLE |
| DATE | DATE | PROJECTION |
| LAUNCH | DATE | TITLE |
| REV # | SCALE | NOTE |
| ALL DIMENSIONS ARE IN MILLIMETERS | | SHEET 1 OF 1 |
| WIRING DIAGRAM-BODY 110V | | FIG 1E |
| 129647 | | |