



**DANGER**

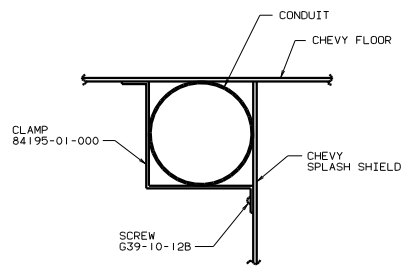
**Danger of electrical shock, burns or death.** Always remove all power sources before attempting any repair, service or diagnostic work. Power can be present from shore power, generator, inverter or battery. All power sources must be disabled and secured before performing any service.



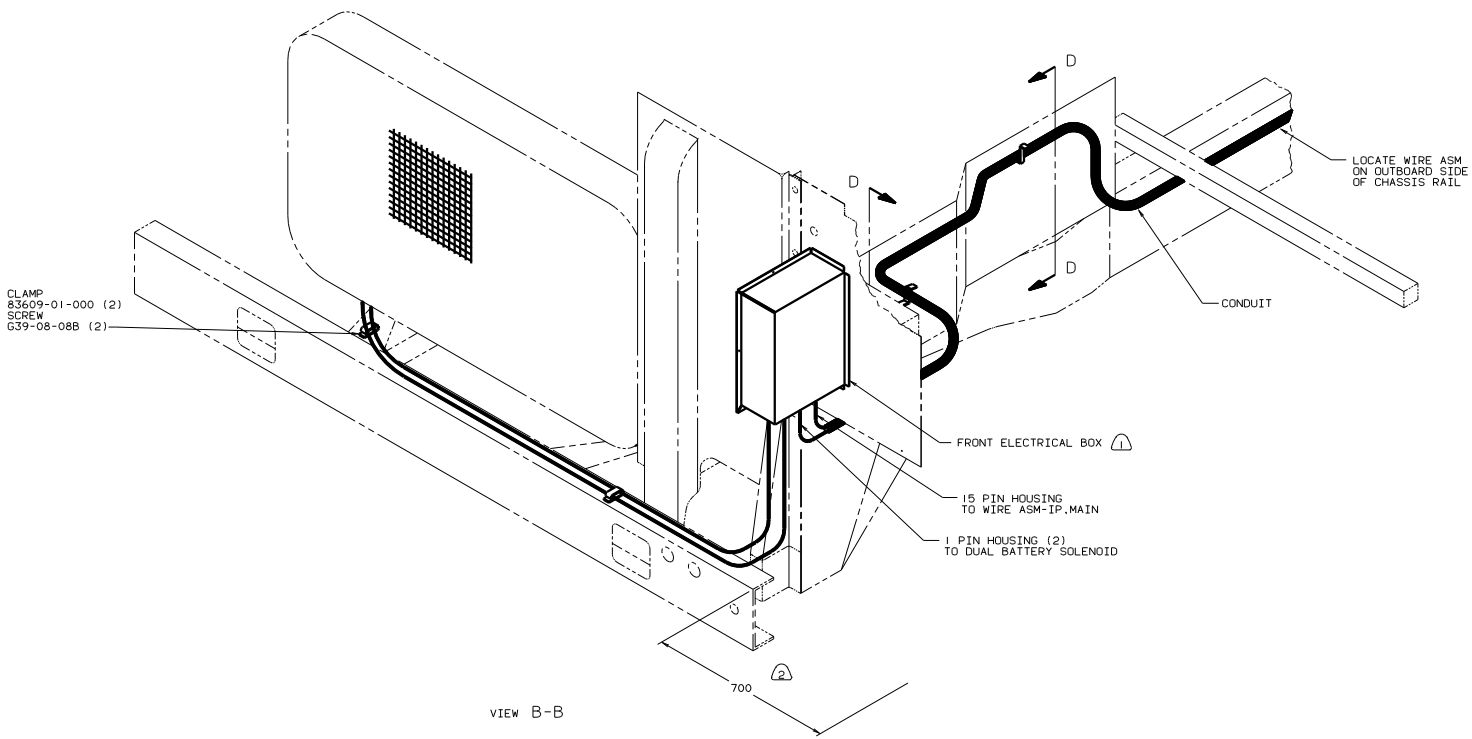
**CAUTION**

If you lack the skills, tools or equipment to perform diagnostic or repair work leave such work to an authorized Winnebago Industries dealer or other qualified shop.





VIEW D-D  
(2 PLCS)



VIEW B-B

CLAMP  
83609-01-000 (2)  
SCREW  
G39-08-08B (2)

FRONT ELECTRICAL BOX ⚠  
15 PIN HOUSING  
TO WIRE ASM-IP, MAIN  
1 PIN HOUSING (2)  
TO DUAL BATTERY SOLENOID

LOCATE WIRE ASM  
ON OUTBOARD SIDE  
OF CHASSIS RAIL

- Ⓜ LAY BATTERY AND GENERATOR CABLES TO THIS DIMENSION TO START INSTALLATION.  
⚠ SEE WIRING INSTL-FRONT END FOR ADDITIONAL INFORMATION.

NOTES:

FOR ELECTRICAL  
TORQUE  
SPECIFICATIONS  
SEE DWG NO.  
128783-01-000

99 F25F

TITLE: WIRING INSTL-CHASSIS	
NO. OF SHEETS	TOTAL SHEETS
SHEET 2 OF 2	2
DWG NO	129618