



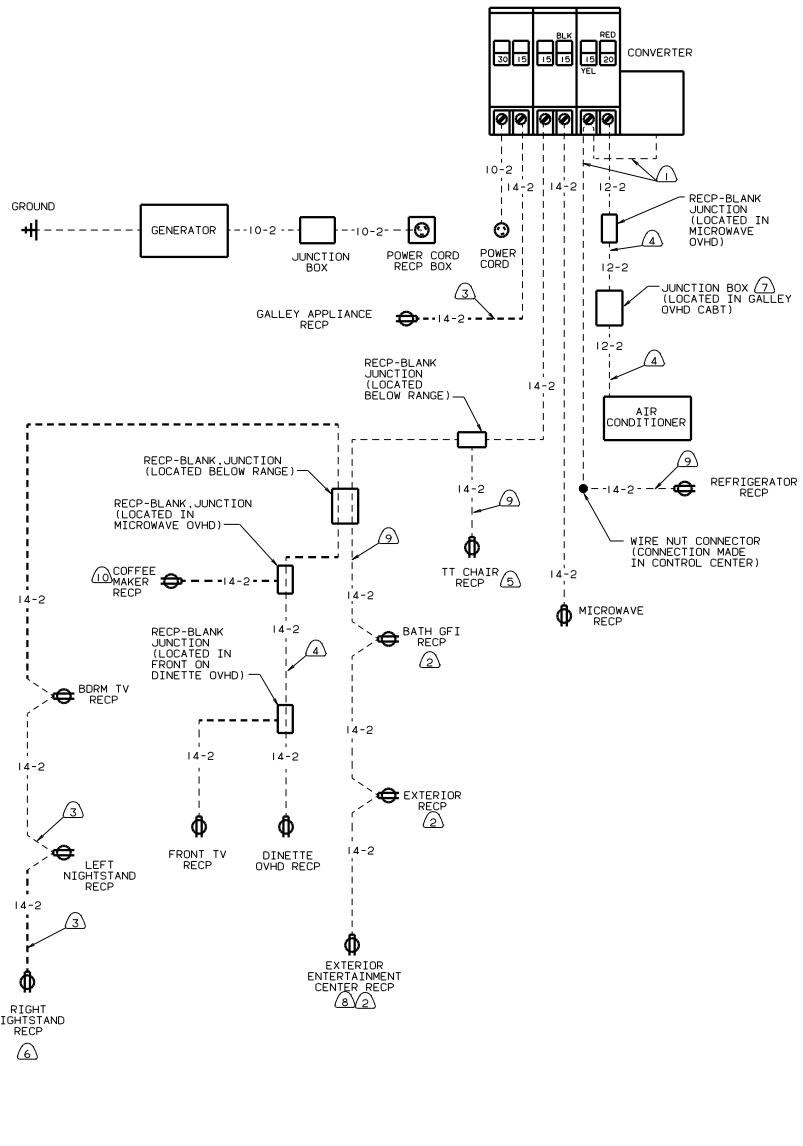
DANGER

Danger of electrical shock, burns or death. Always remove all power sources before attempting any repair, service or diagnostic work. Power can be present from shore power, generator, inverter or battery. All power sources must be disabled and secured before performing any service.



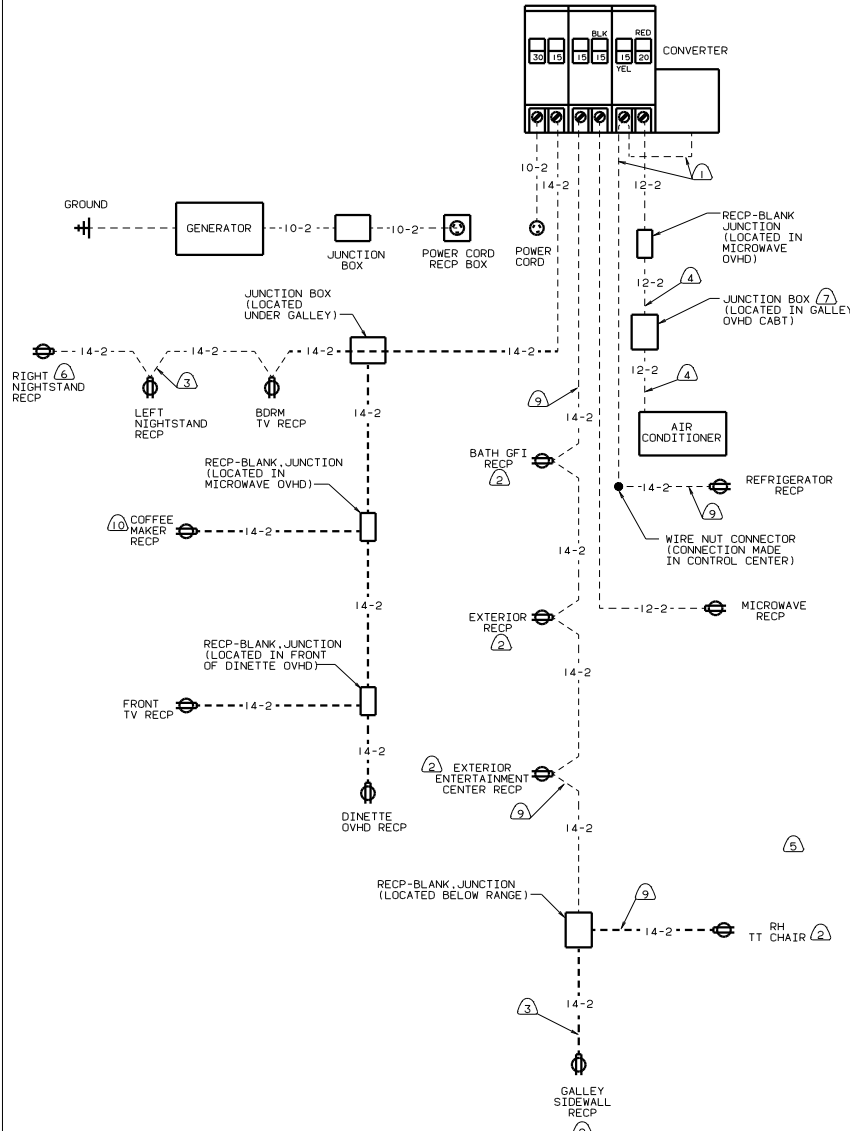
CAUTION

If you lack the skills, tools or equipment to perform diagnostic or repair work leave such work to an authorized Winnebago Industries dealer or other qualified shop.



265 CODE STANDARDS-CSA

- ⑩ 26U COFFEE MAKER.
- ⑨ WIRE ROUTED THRU FLOOR.
- ⑧ WITH 76C ENTERTAINMENT CENTER-EXTERIOR.
- ⑦ NOT USED WITH 250 A/C ROOF-ONE 14,800.
- ⑥ WITH 49X BED-QUEEN,CENTERED.
- ⑤ 14F LGE CHAIRS-2 W/TABLE.
- ④ WIRE ROUTED IN ROOF.
- ③ WIRE ROUTED IN SIDEWALL.
- ② PROTECTED BY GROUND FAULT INTERRUPTER RECP.
- ① LEAD SUPPLIED WITH CONVERTER.



1B1 CODE STANDARDS-USA

110V WIRING
 12D ELECTRICAL SYS-30 AMP

		99 F29A
OP TR	DATE	UNDESIGNED TECHNOLOGIES INC.
CHP	DATE	WHOLE ORN (H)
DR	DATE	ONE-PLACE (R,AL)
PL	DATE	HQ-PLACE (R,AL)
PL	DATE	MOBILE
COMP	DATE	INDU. W/OLE PRODUCTION
LAHRT	DATE	TITLE
REV #	SCALE	NO. OF SHEETS
ALL DIMENSIONS ARE IN MILLIMETERS	SHEET 1 OF 1	FIG. NO. 129558