



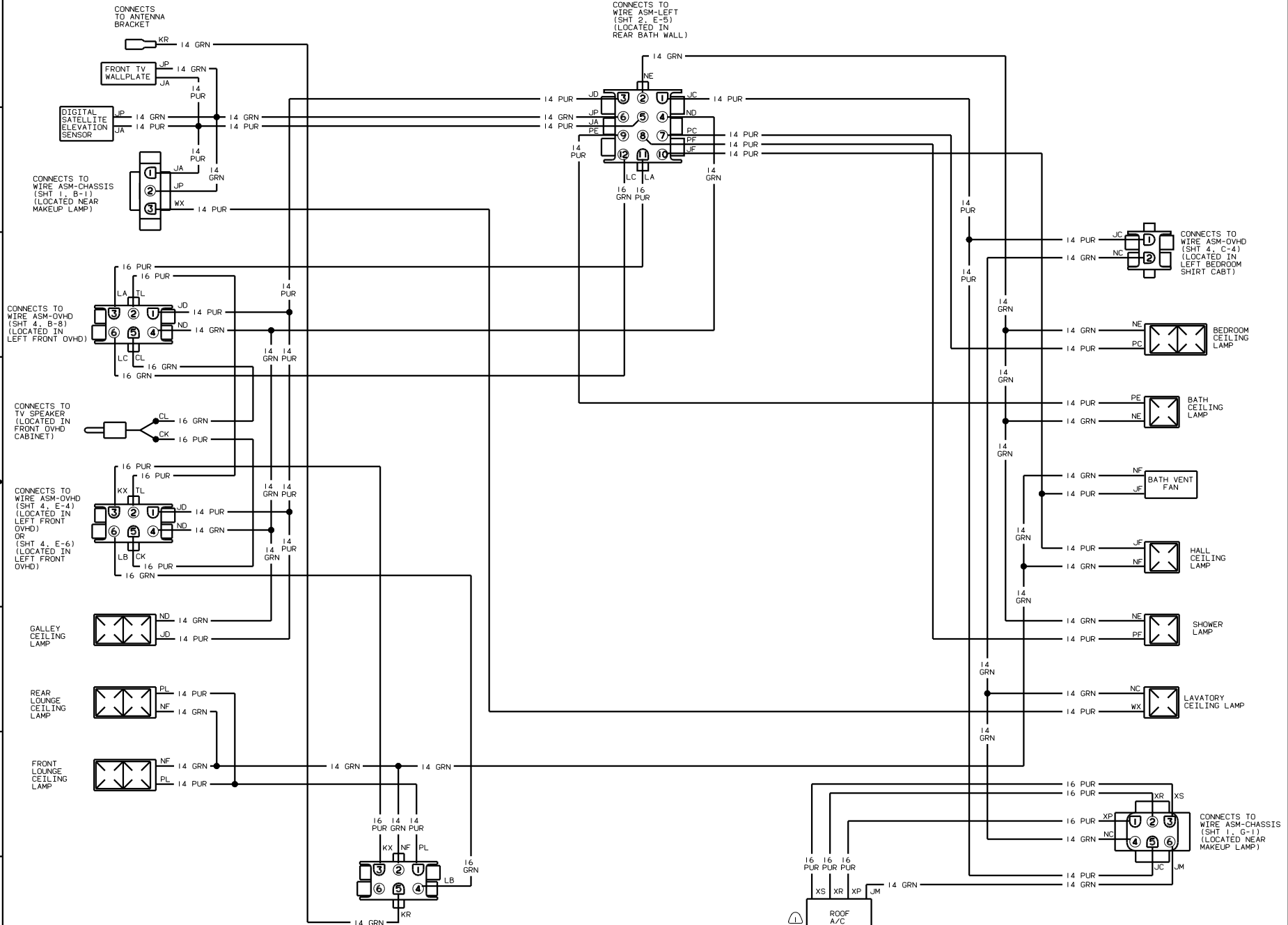
DANGER

Danger of electrical shock, burns or death. Always remove all power sources before attempting any repair, service or diagnostic work. Power can be present from shore power, generator, inverter or battery. All power sources must be disabled and secured before performing any service.



CAUTION

If you lack the skills, tools or equipment to perform diagnostic or repair work leave such work to an authorized Winnebago Industries dealer or other qualified shop.

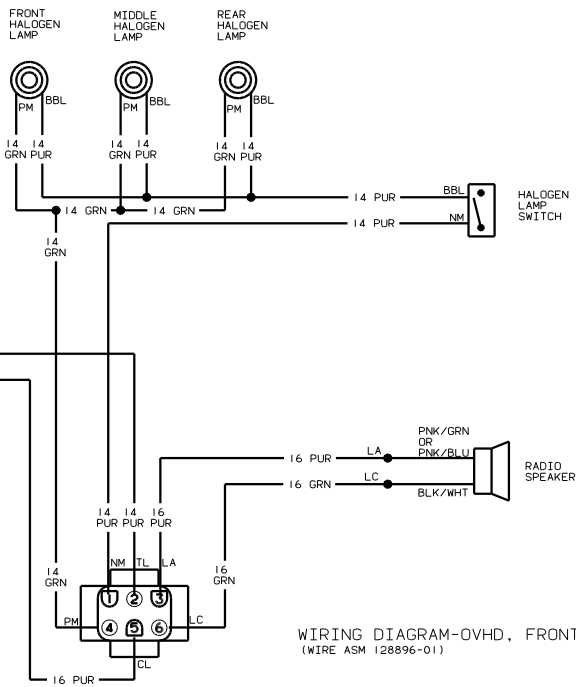


WIRING DIAGRAM ROOF
(WIRE ASM 129621)

99 F29A

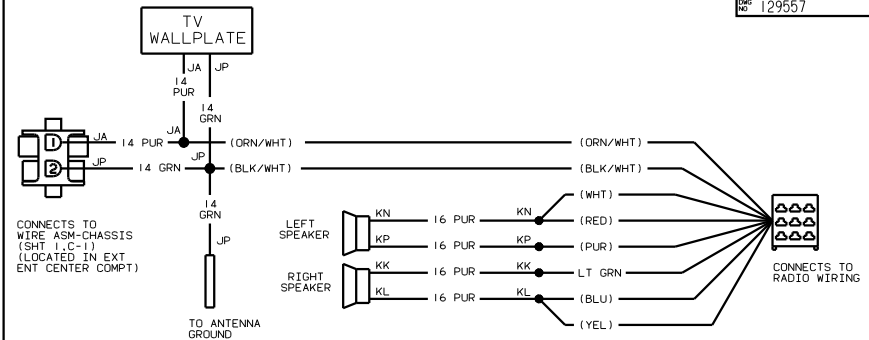
NOTES:
1 SEE MANUFACTURER'S DIAGRAM FOR ADDITIONAL INFORMATION.

TITLE: WIRING DIAGRAM-BODY	
NO. OF SHEETS: 4	SHEET: 3 OF 4
REV: 1	DATE: 129557

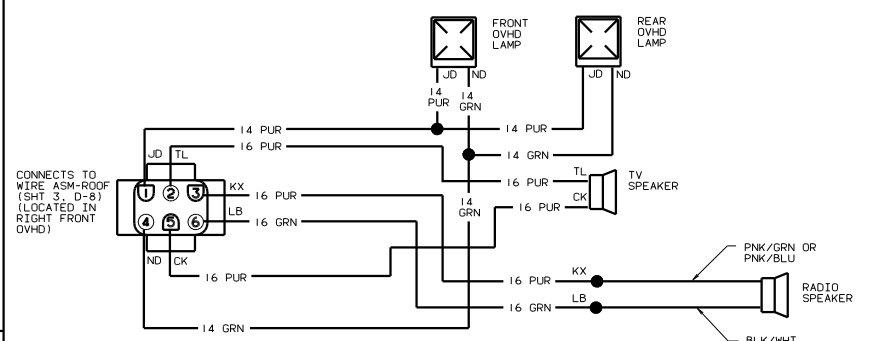


WIRING DIAGRAM-OVHD, FRONT, LH
(WIRE ASM 128896-01)

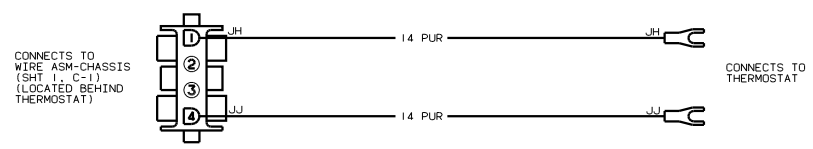
CONNECTS TO WIRE ASM-ROOF (SHT 3, D-8) (LOCATED IN LEFT FRONT OVHD)



WIRING DIAGRAM-ENTERTAINMENT CENTER
(WIRE ASM 125853-01)
(WITH EXTERIOR ENTERTAINMENT CENTER)

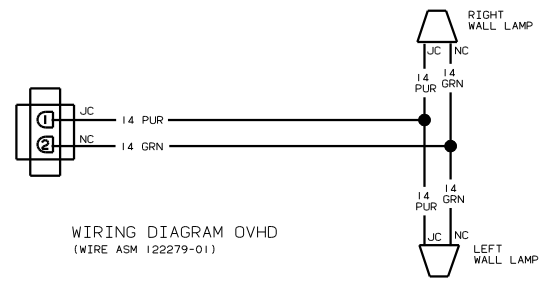


WIRING DIAGRAM OVHD
(WIRE ASM 128589-01)

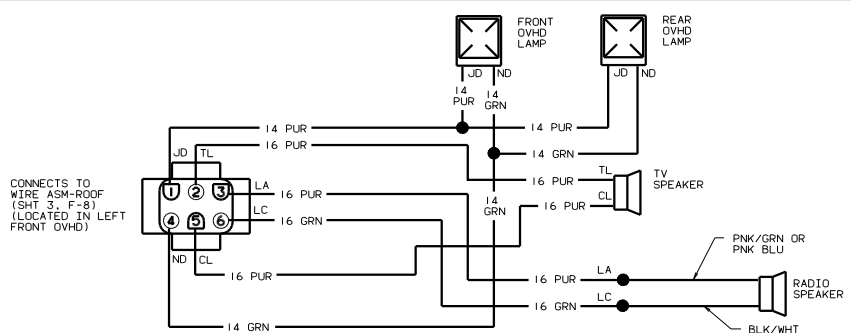


WIRING DIAGRAM-THERMOSTAT
(WIRE ASM 117252-01)

CONNECTS TO WIRE ASM-ROOF (SHT 3, F-1) LEFT BEDROOM SHIRT CABT)



WIRING DIAGRAM OVHD
(WIRE ASM 122279-01)



WIRING DIAGRAM OVHD
(WIRE ASM 128589-02)

CONNECTS TO WIRE ASM-ROOF (SHT 3, F-8) (LOCATED IN LEFT FRONT OVHD)

CONNECTS TO WIRE ASM-CHASSIS (SHT 1, C-8) (LOCATED BELOW REFRIGERATOR)



WIRING DIAGRAM-PORCH LAMP
(WIRE ASM 93051-02)