



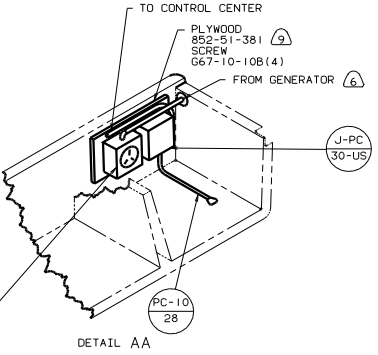
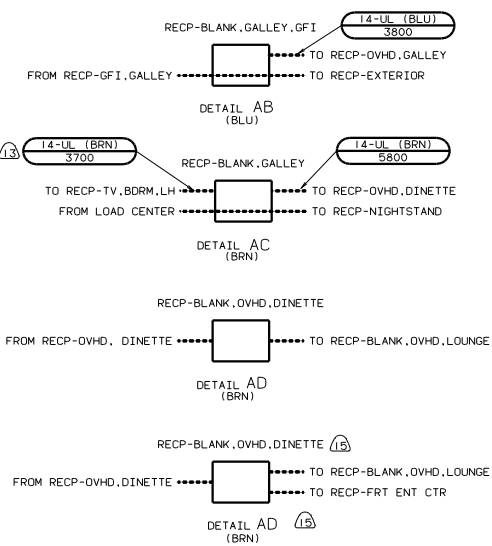
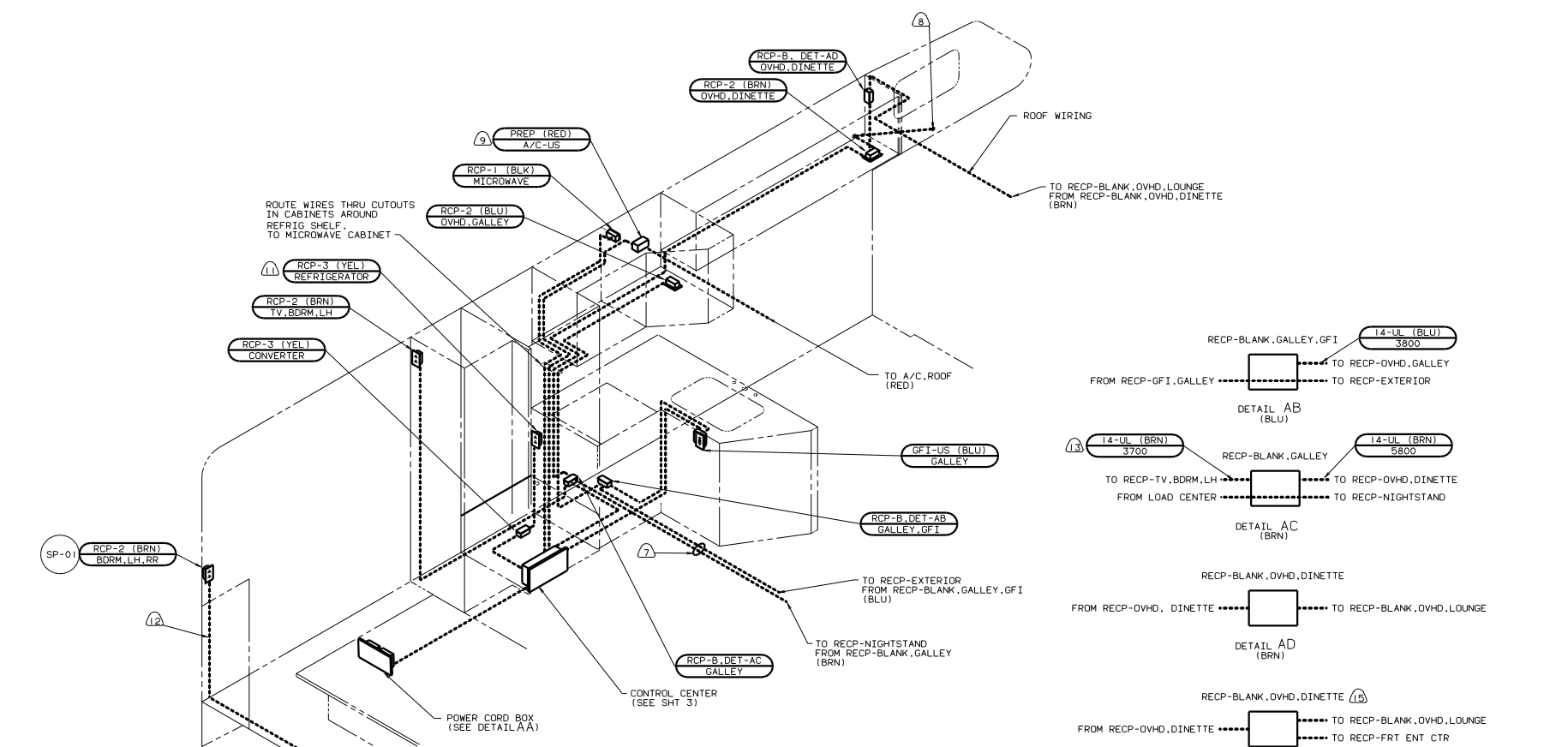
DANGER

Danger of electrical shock, burns or death. Always remove all power sources before attempting any repair, service or diagnostic work. Power can be present from shore power, generator, inverter or battery. All power sources must be disabled and secured before performing any service.



CAUTION

If you lack the skills, tools or equipment to perform diagnostic or repair work leave such work to an authorized Winnebago Industries dealer or other qualified shop.



- (15) 42T TV-19" FRT & SW-SYS
210 TV-19" W/VCR/SWITCHING SYSTEM
- (14) WIRE ROUTED THRU FLOOR.
- (13) 44X BED-QUEEN, SIDEWALL
- (12) WIRE ROUTED IN SIDEWALL.
- (11) LOCATE RECEPTACLE ON TIE DOWN BRACKET.
- (10) PAINT EXPOSED SURFACES BLACK WITH 106112-01-000.
- (9) NOT USED WITH 250 A/C. ROOF-ONE 14,800
- (8) SEE WIRING INSTL-TV/VCR,FRONT FOR ADDITIONAL INFORMATION.
- (7) WIRE ROUTED BELOW FLOOR.
- (6) SEAL WITH BEDDING COMPOUND 69639-01-000.
- (5) INSTALL RECEPTACLE WITH GROUND OPENING LOCATED FORWARD IN VEHICLE.
- (4) 40N GEN-4.0KW, MICROLITE, GAS OR
52G GEN-3.6KW, MICROLITE, LP
- 3. ALL GROUND WIRES TO BE COVERED WITH TUBING 8041-02-000.
- 2. ALL 110V WIRES ARE TO BE CLAMPED WITH CLAMP 10495-05-000 WITHIN 200 OF OUTLET BOXES. USE SCREW 667-10-12B.
- 1. ALL WIRES TO BE CLAMPED WITH CLAMP 10495-01-000 OR CLIP 80734-01-000 EVERY 600. USE SCREW 667-10-12B UNLESS OTHERWISE SPECIFIED.

44X BED-QUEEN, SIDEWALL

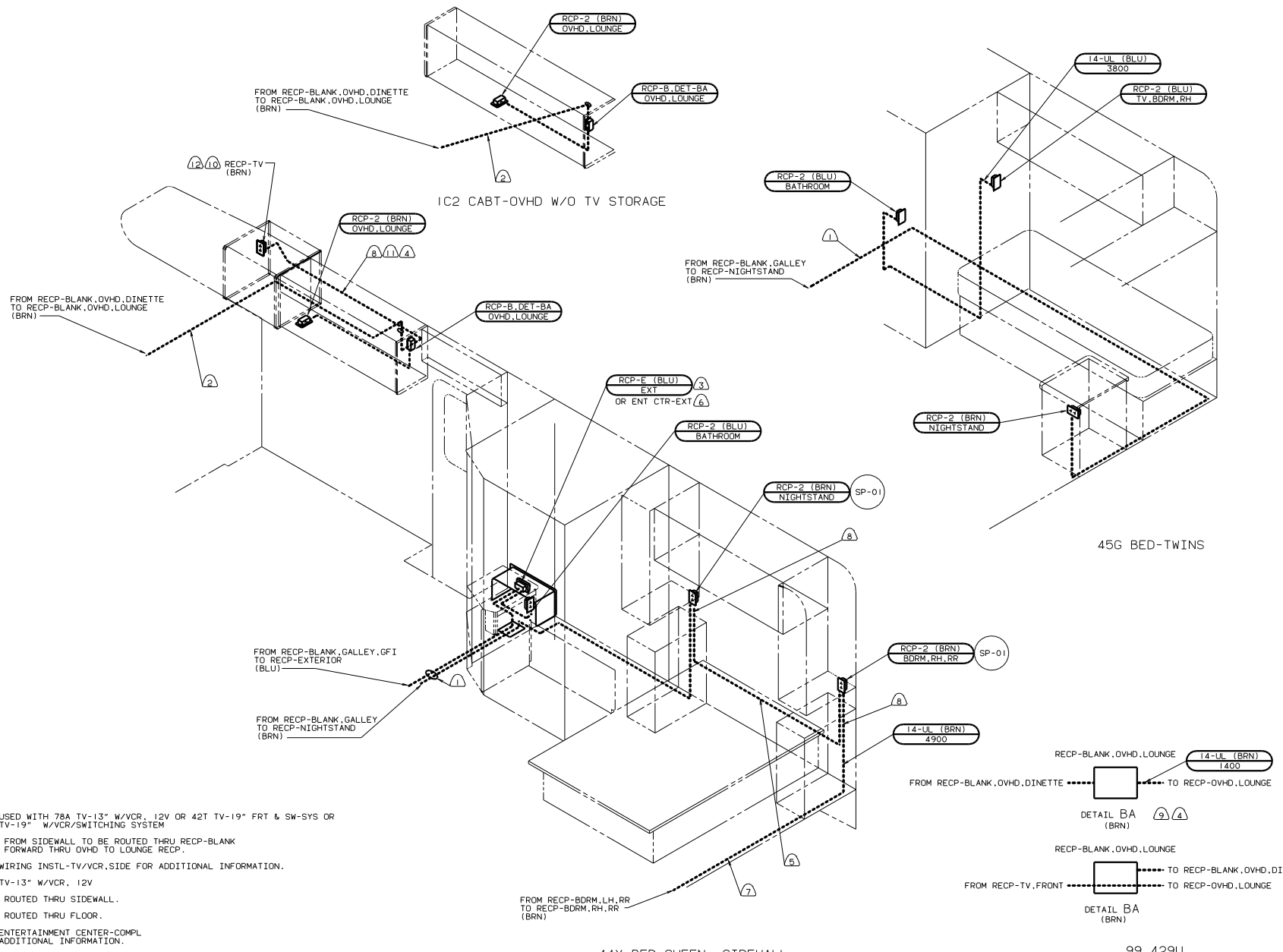
LEFT HAND VIEW
12D ELECTRICAL SYS-30 AMP
I B1 CODE STANDERDS-USA

WINNEBAGO		99 429U
DATE	UNSPECIFIED TOLERANCES ARE:	
DATE	0.001	
DATE	0.005	
DATE	0.010	
DATE	0.015	
DATE	DATE	129312

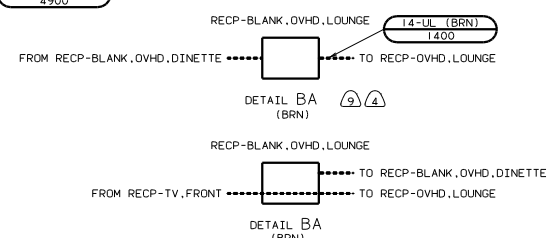
FOR ELECTRICAL TORQUE SPECIFICATIONS SEE DWG NO. 128783-01-000

(X-X)

FOR ELECTRICAL CALLOUTS SEE DWG NO. 121339-01-000



- ⑫ NOT USED WITH 78A TV-13" W/VCR, 12V OR 42T TV-19" FRT & SW-SYS OR 210 TV-19" W/VCR/SWITCHING SYSTEM
- ⑪ DROP FROM SIDEWALL TO BE ROUTED THRU RECP-BLANK THEN FORWARD THRU OVHD TO LOUNGE RECP.
- ⑩ SEE WIRING INSTL-TV/VCR, SIDE FOR ADDITIONAL INFORMATION.
- ⑨ 78A TV-13" W/VCR, 12V
- ⑧ WIRE ROUTED THRU SIDEWALL.
- ⑦ WIRE ROUTED THRU FLOOR.
- ⑥ SEE ENTERTAINMENT CENTER-COMPL FOR ADDITIONAL INFORMATION.
- ⑤ ROUTE AND ATTACH BELOW BEDBOARD.
- ④ 42T TV-19" FRT & SW-SYS OR 210 TV-19" W/VCR/SWITCHING SYSTEM
- ③ NOT USED WITH 76C ENTERTAINMENT CTR-EXT
- ② WIRE ROUTED IN ROOF
- ① WIRE ROUTED BELOW FLOOR.



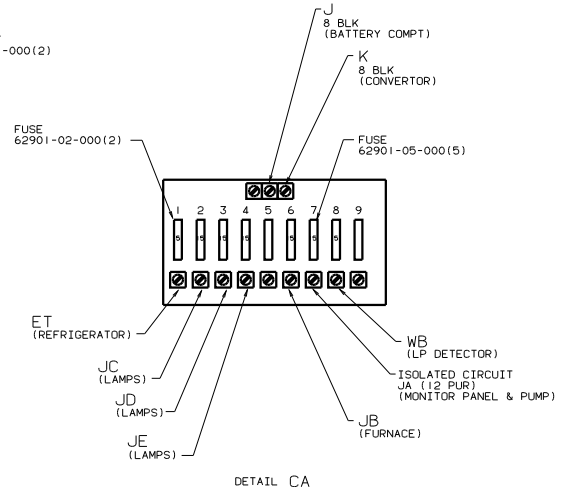
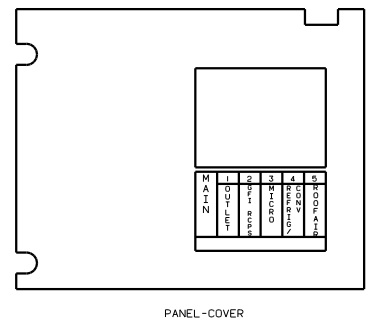
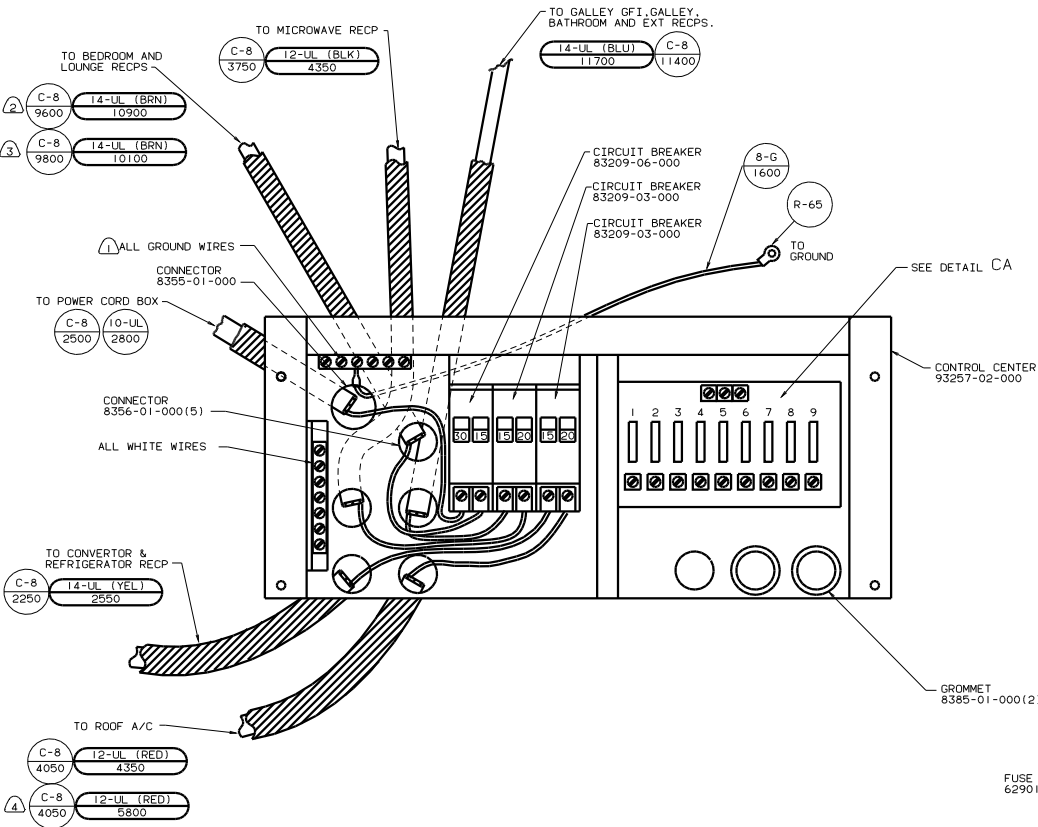
99 429U
RIGHT HAND VIEW
12D ELECTRICAL SYS-30 AMP
IB1 CODE STANDARD-USA

FOR ELECTRICAL TORQUE SPECIFICATIONS SEE DWG NO. 128783-01-000

(X-X)

FOR ELECTRICAL CALLOUTS SEE DWG NO. 121339-01-000

TITLE: WIRING INSTL-BODY(110R30USA)
SHEET 2 OF 12
129312



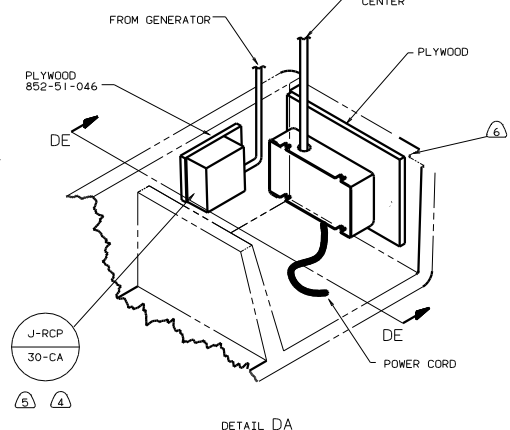
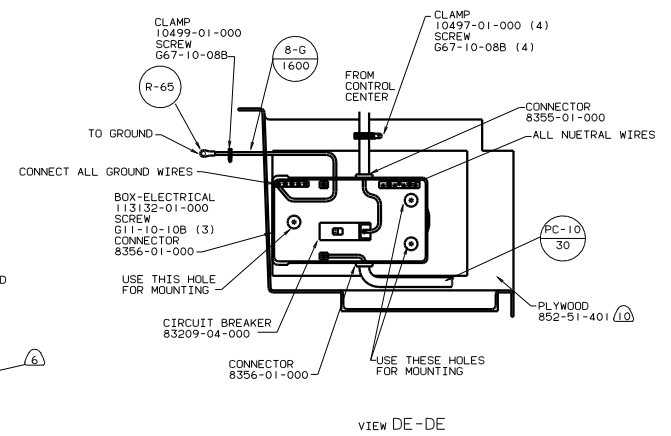
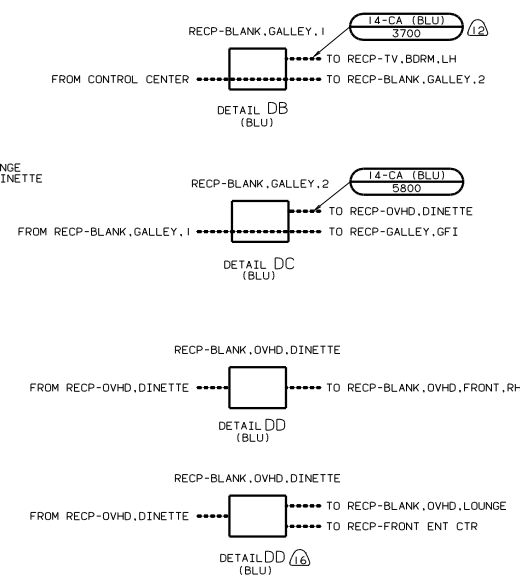
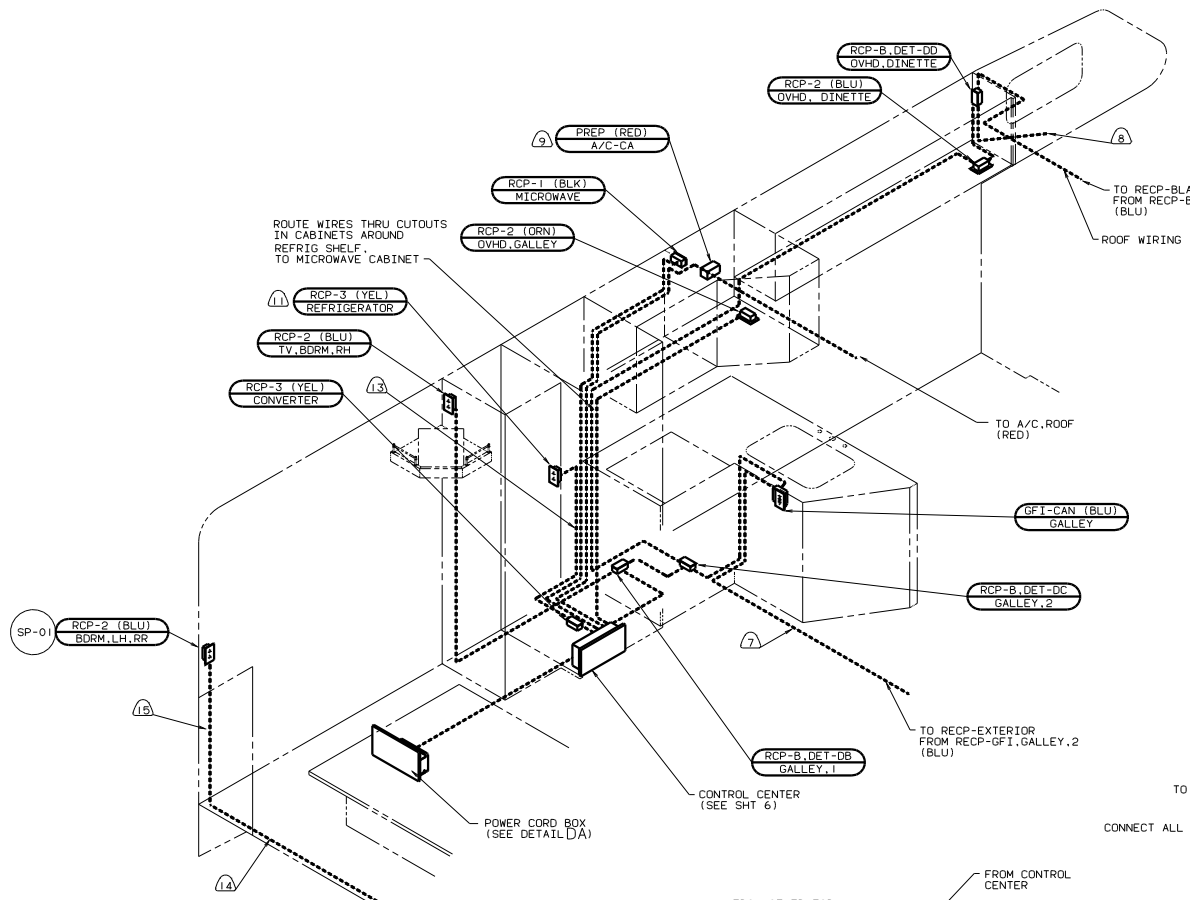
- ④ 250 A/C, ROOF-ONE 14,800
- ③ 45G BED-TWINS
- ② 44X BED-QUEEN, SIDEWALL
- ① ALL GROUND WIRES TO BE COVERED WITH TUBING 8041-02-000.

99 429U
CONTROL CENTER
12D ELECTRICAL SYS-30 AMP
1B1 CODE STANDARDS-USA

FOR ELECTRICAL TORQUE SPECIFICATIONS SEE DWG NO. 128783-01-000

FOR ELECTRICAL CALLOUTS SEE DWG NO. 121339-01-000

TITLE		WIRING INSTL-BODY(30 CC USA)	
NO	SCALE	REV	DATE
1		1	
SHEET 3 OF 12		129312	

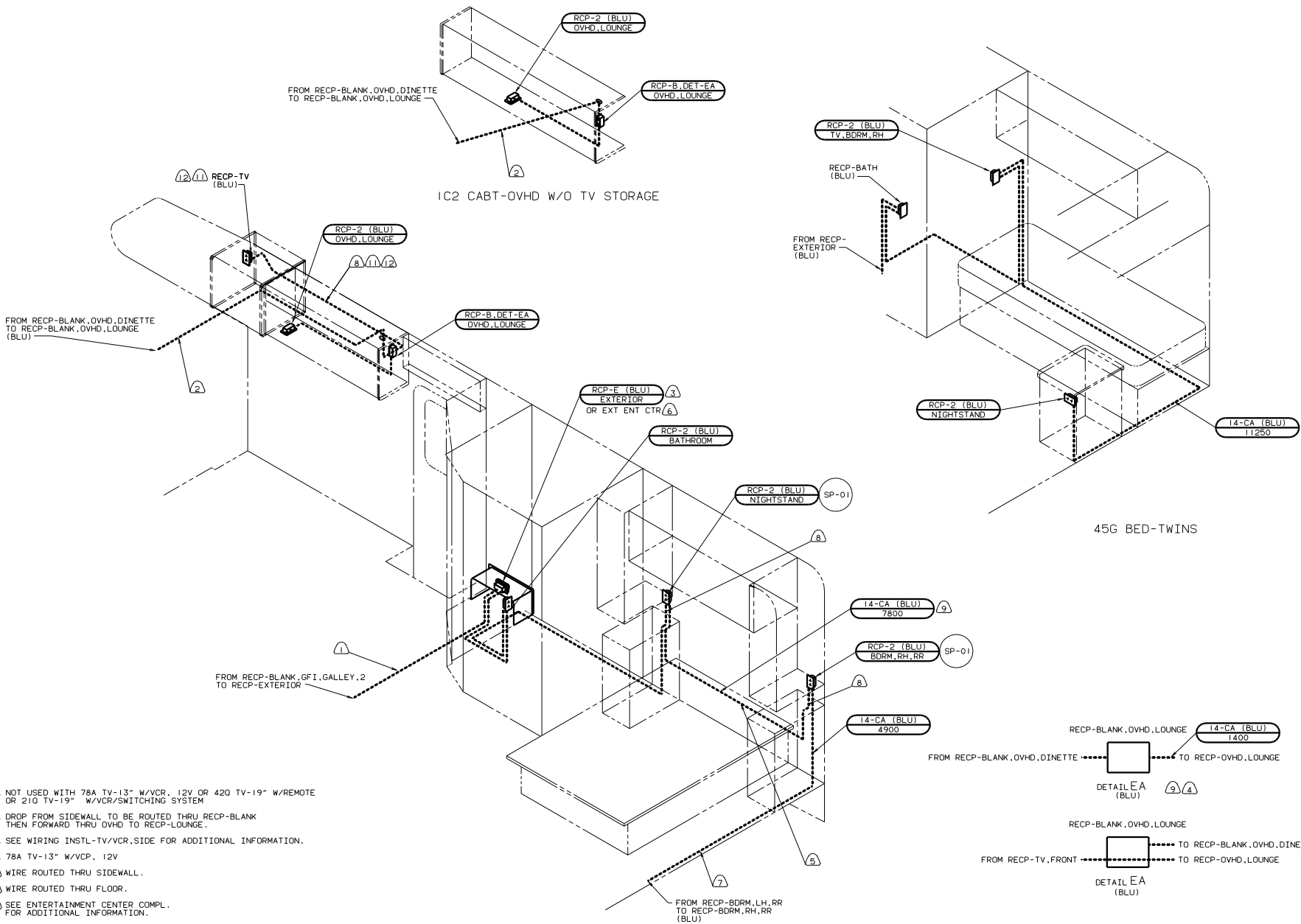


- 16 42T TV-19" FRT & SW-SYS 210 TV-19" W/VCR/SWITCHING SYSTEM
- 15 WIRE ROUTED THRU SIDEWALL.
- 14 WIRE ROUTED THRU FLOOR.
- 13 ROUTE WIRE THRU REFRIGERATOR SHELF.
- 12 44X BED-QUEEN, SIDEWALL
- 11 LOCATE RECEPTACLE ON TIEDOWN BRACKET.
- 10 PAINT EXPOSED SURFACES BLACK WITH 106112-01-000.
- 9 NOT USED WITH 250 A/C, ROOF-ONE 14,800
- 8 SEE WIRING INSTL-TV/VCR,FRONT FOR ADDITIONAL INFORMATION.
- 7 WIRE ROUTED BELOW FLOOR.
- 6 SEAL WITH BEDDING COMPOUND 69639-01-000.
- 5 INSTALL RECEPTACLE WITH GROUND OPENING LOCATED FORWARD IN VEHICLE.
- 4 40N GEN-4.0KW, MICROLITE, GAS OR 52G GEN-3.6KW, MICROLITE, LP
- 3 ALL GROUND WIRES TO BE COVERED WITH TUBING 8041-02-000.
- 2 ALL 110V WIRES ARE TO BE CLAMPED WITH CLAMP 10495-05-000, WITHIN 200 OF OUTLET BOXES. USE SCREW 667-10-12B.
- 1 ALL WIRES TO BE CLAMPED WITH CLAMP 10495-01-000 OR CLIP 80734-01-000 EVERY 600. USE SCREW 667-10-12B UNLESS OTHERWISE SPECIFIED.

FOR ELECTRICAL TORQUE SPECIFICATIONS SEE DWG NO. 128783-01-000

FOR ELECTRICAL CALLOUTS SEE DWG NO. 121339-01-000

99 429U
LEFT HAND SIDE
12D ELECTRICAL SYS-30 AMP
265 CODE STANDARDS-CSA

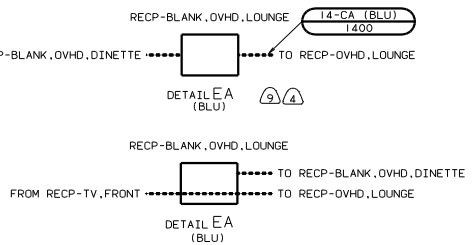


- ⑫ NOT USED WITH 78A TV-13" W/VCR, 12V OR 420 TV-19" W/REMOTE OR 210 TV-19" W/VCR/SWITCHING SYSTEM
- ⑪ DROP FROM SIDEWALL TO BE ROUTED THRU RCP-BLANK THEN FORWARD THRU OVHD TO RCP-LOUNGE.
- ⑩ SEE WIRING INSTL-TV/VCR, SIDE FOR ADDITIONAL INFORMATION.
- ⑨ 78A TV-13" W/VCR, 12V
- ⑧ WIRE ROUTED THRU SIDEWALL.
- ⑦ WIRE ROUTED THRU FLOOR.
- ⑥ SEE ENTERTAINMENT CENTER COMPL. FOR ADDITIONAL INFORMATION.
- ⑤ ROUTE AND ATTACH BELOW BEDBOARD.
- ④ 42T TV-19" OR 210 TV-19" W/VCR/SWITCHING SYSTEM
- ③ NOT USED WITH 76C ENTERTAINMENT CTR-EXT
- ② WIRE ROUTED IN ROOF.
- ① WIRE ROUTED BELOW FLOOR.

NOTES:

44X BED-QUEEN, SIDEWALL

45G BED-TWINS

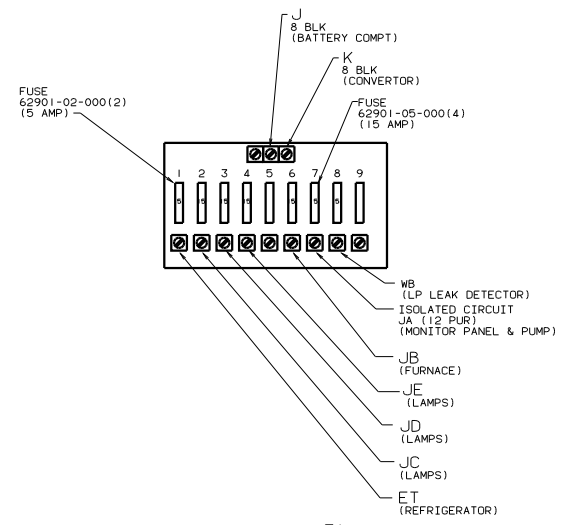
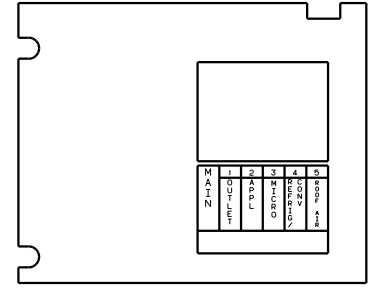
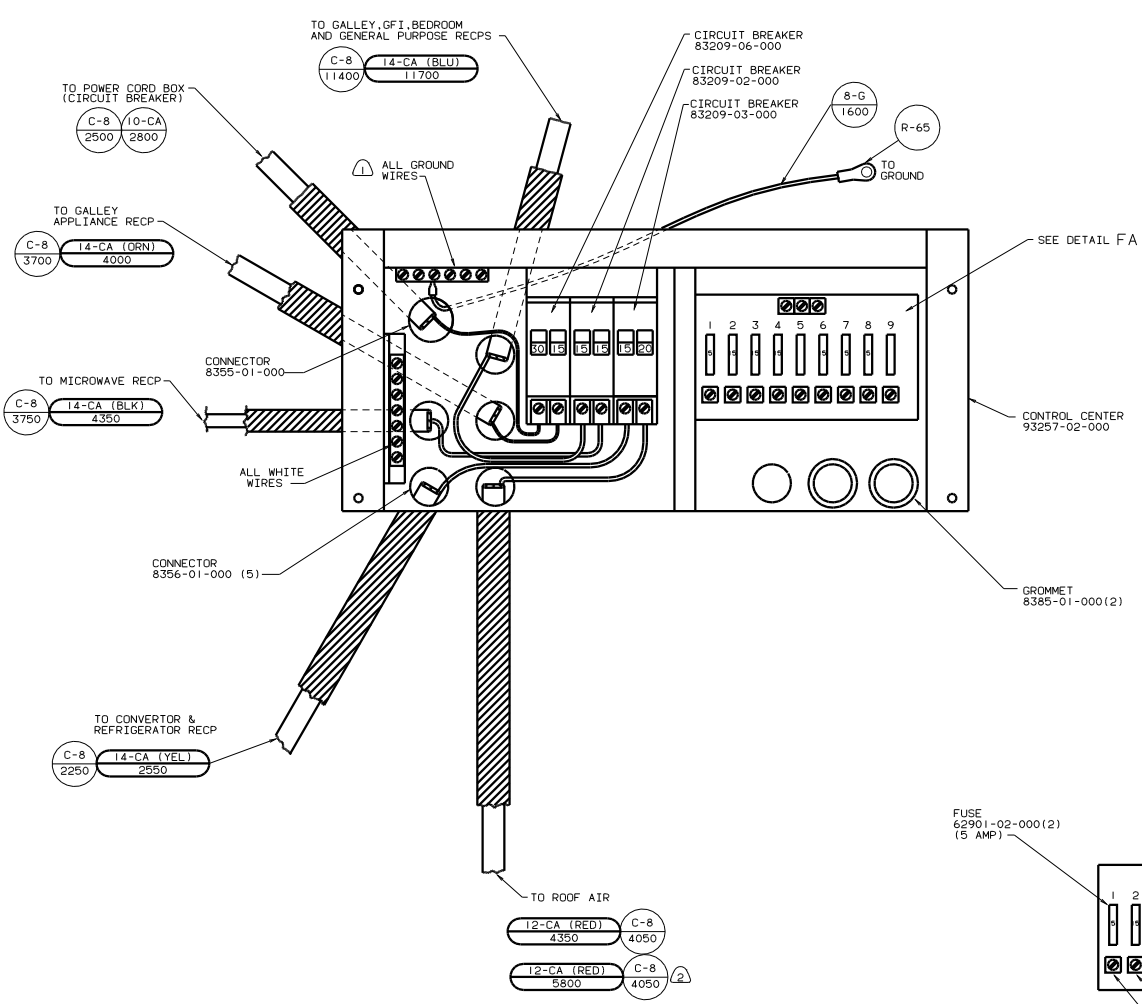


99 429U
 RIGHT HAND VIEW
 12D ELECTRICAL SYS-30 AMP
 265 CODE STANDARD-CSA

FOR ELECTRICAL
 TORQUE
 SPECIFICATIONS
 SEE DWG NO.
 128783-01-000

(X-X)
 FOR ELECTRICAL
 CALLOUTS
 SEE DWG NO.
 121339-01-000

TITLE: WIRING INSTL-BODY(110R30CSA)
 SHEET 5 OF 12 1E NO 129312



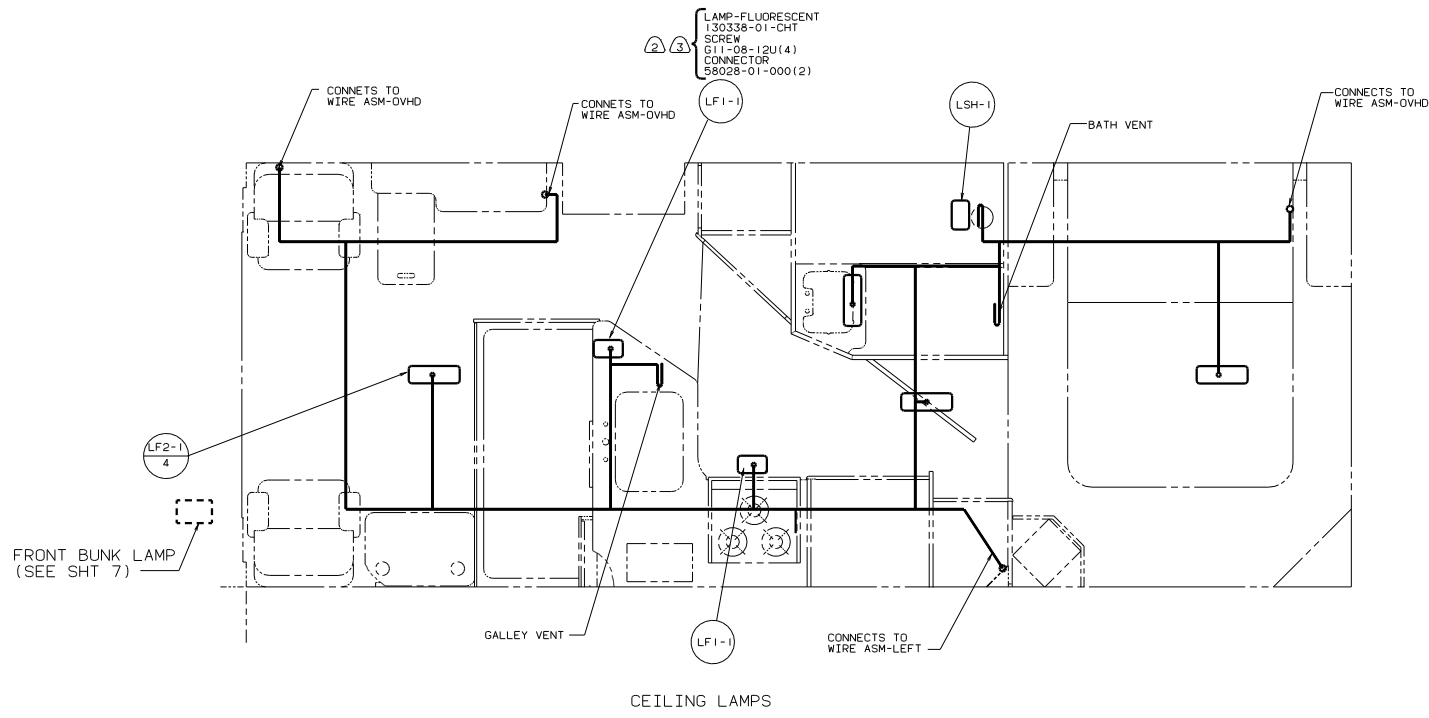
2 250 A/C, ROOF-ONE 14,800
 1 ALL GROUND WIRES TO BE COVERED WITH TUBING 8041-02-000.

99 429U
 CONTROL CENTER
 265 CODE STANDARDS-CSA

FOR ELECTRICAL TORQUE SPECIFICATIONS SEE DWG NO. 128783-01-000

FOR ELECTRICAL CALLOUTS SEE DWG NO. 121333-01-000

FILE NO. 129312
 SHEET 6 OF 12
 129312



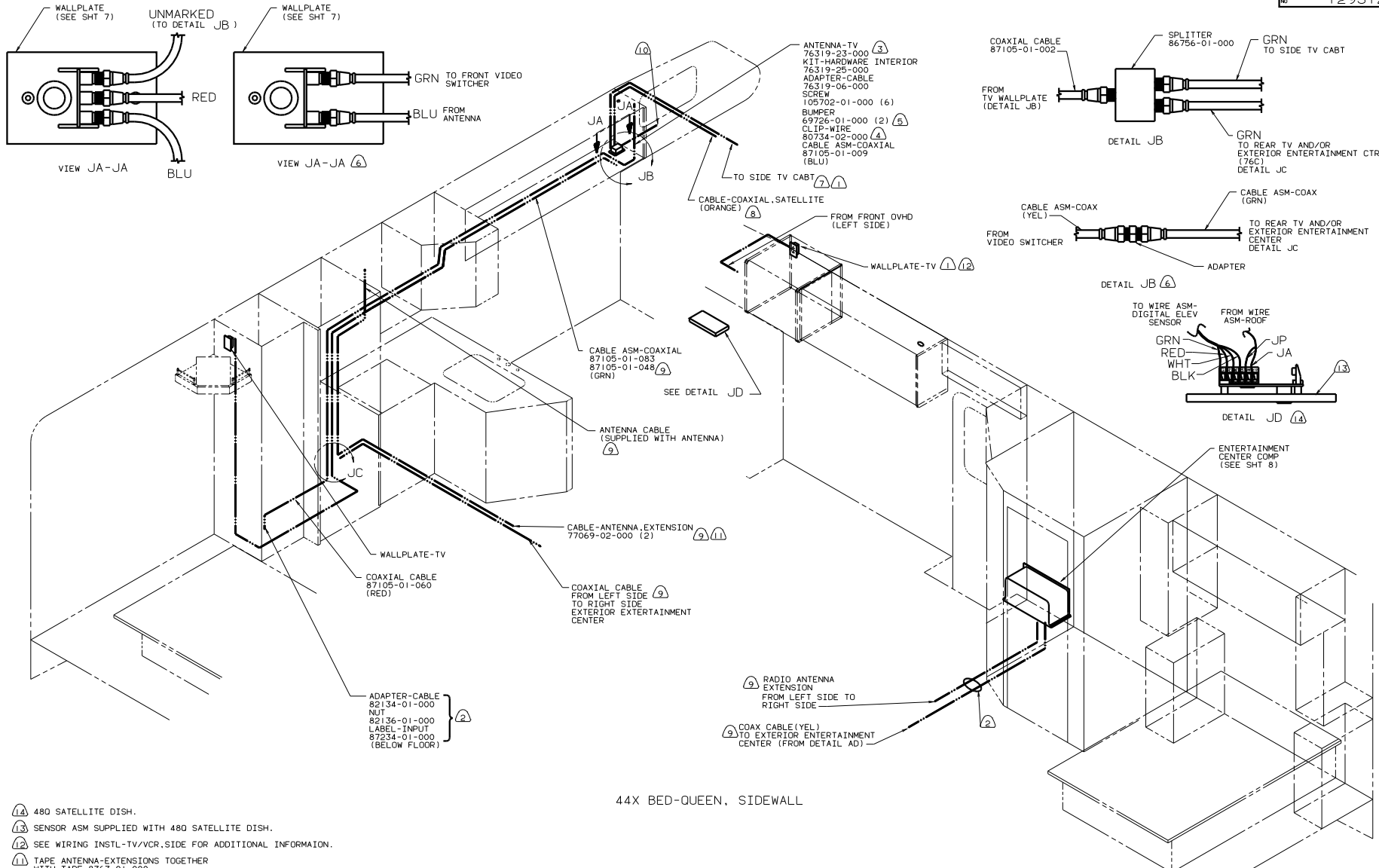
- ③ ITASCA UNITS ONLY.
- ② 09D DELUXE UPGRADE PKG.

1. SEE ROOF ASM FOR ADDITIONAL INFORMATION.

NOTES:

99 429U

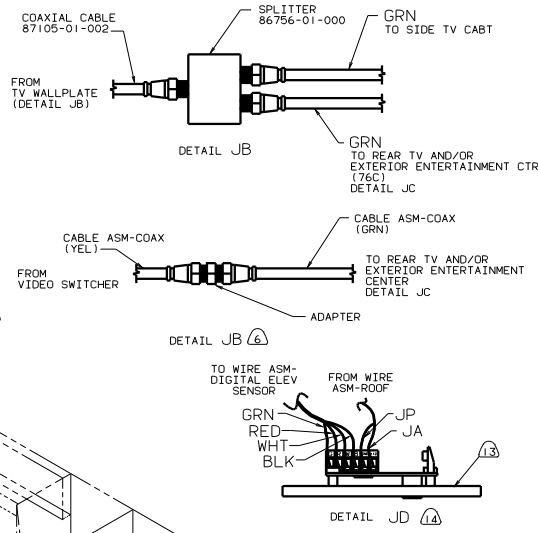
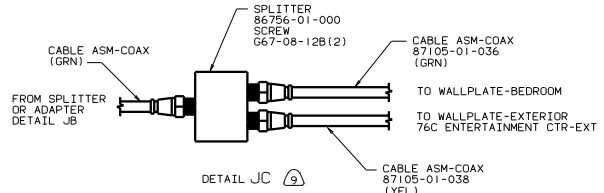
TITLE		WIRING INSTL-BODY(12 CL)	
DATE	BY	DATE	BY
01/01/00	11/11/00	01/01/00	11/11/00
SHEET 9 OF 12		JOB NO 129312	



44X BED-QUEEN, SIDEWALL

- ④ 480 SATELLITE DISH.
- ⑬ SENSOR ASM SUPPLIED WITH 480 SATELLITE DISH.
- ⑫ SEE WIRING INSTL-TV/VCR.SIDE FOR ADDITIONAL INFORMATION.
- ⑪ TAPE ANTENNA-EXTENSIONS TOGETHER WITH TAPE 8363-01-000.
- ⑩ SEE WIRING INSTL-TV/VCR.FRONT FOR ADDITIONAL INFORMATION.
- ⑨ 76C ENTERTAINMENT CTR-EXT
- ⑧ LAYUP IN ROOF FOR CUSTOMER USAGE.
- ⑦ WIRE ROUTED IN ROOF.
- ⑥ 210 TV-19" W/VCR/SWITCHING SYSTEM OR 42T TV-19" W/SW-SYS.
- ⑤ ADD RUBBER BUMPER UNDER EACH END OF ANTENNA IN DOWN POSITION WHICH MAY COME IN CONTACT WITH ROOF.
- ④ LOCATED TO RETAIN CABLE BUT NOT TO RESTRICT ANTENNA TRAVEL.
- ③ SEE DRAWING 76319-01-000 FOR INSTALLATION OF TV ANTENNA.
- ② ROUTED THROUGH FLOOR.
- ① NOT USED WITH 42T TV-19" W/SW-SYS OR 210 TV-19" W/VCR/SWITCHING SYSTEM

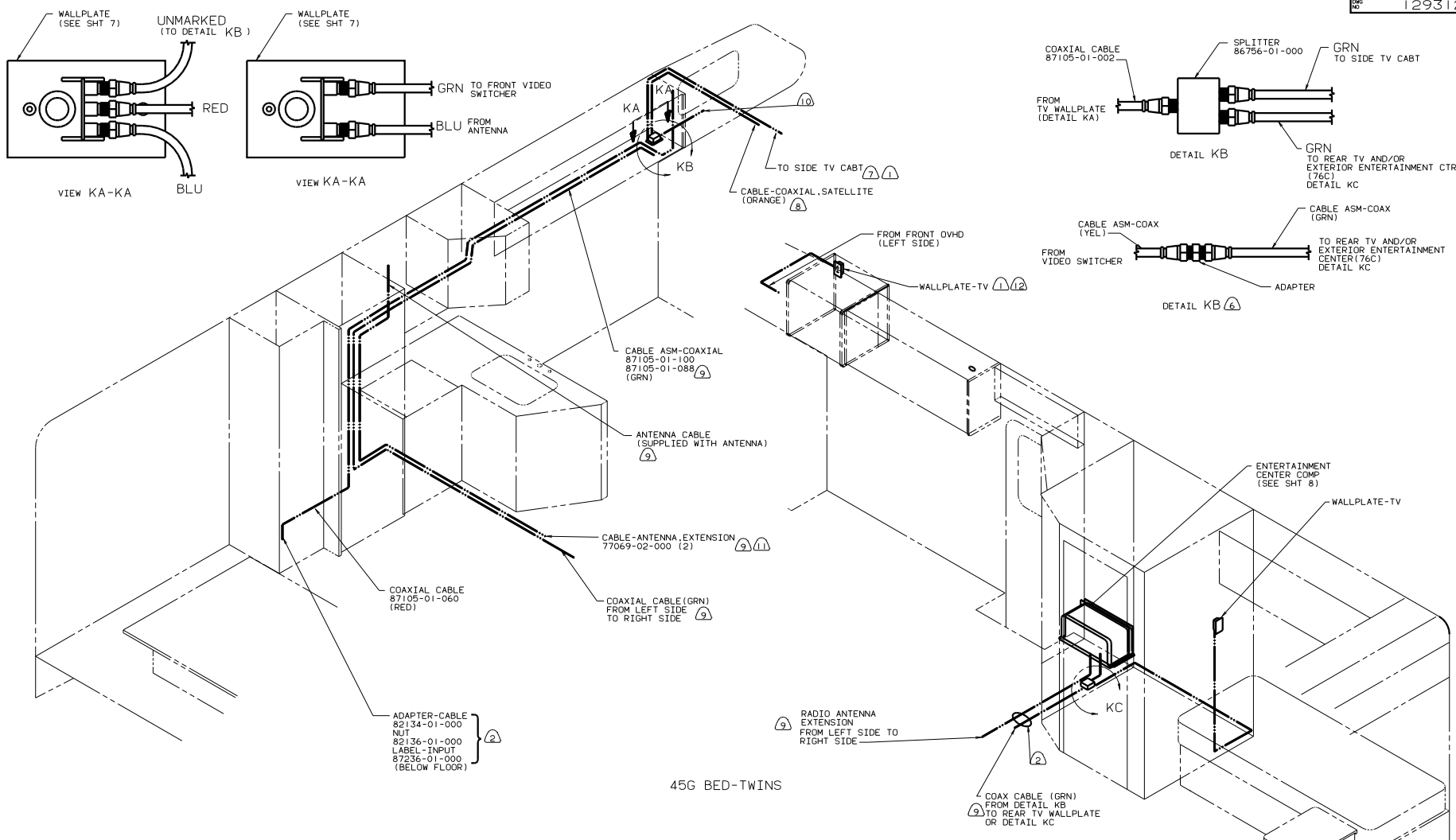
NOTES:



FOR ELECTRICAL TORQUE SPECIFICATIONS SEE DWG NO. 128783-01-000

99 429U
 COAXIAL CABLE
 44X BED-QUEEN, SIDEWALL
 1B1 CODE STANDARDS-USA
 265 CODE STANDARDS-CSA

TITLE: WIRING INSTL-BODY(COAX)
 SHEET 10 OF 12



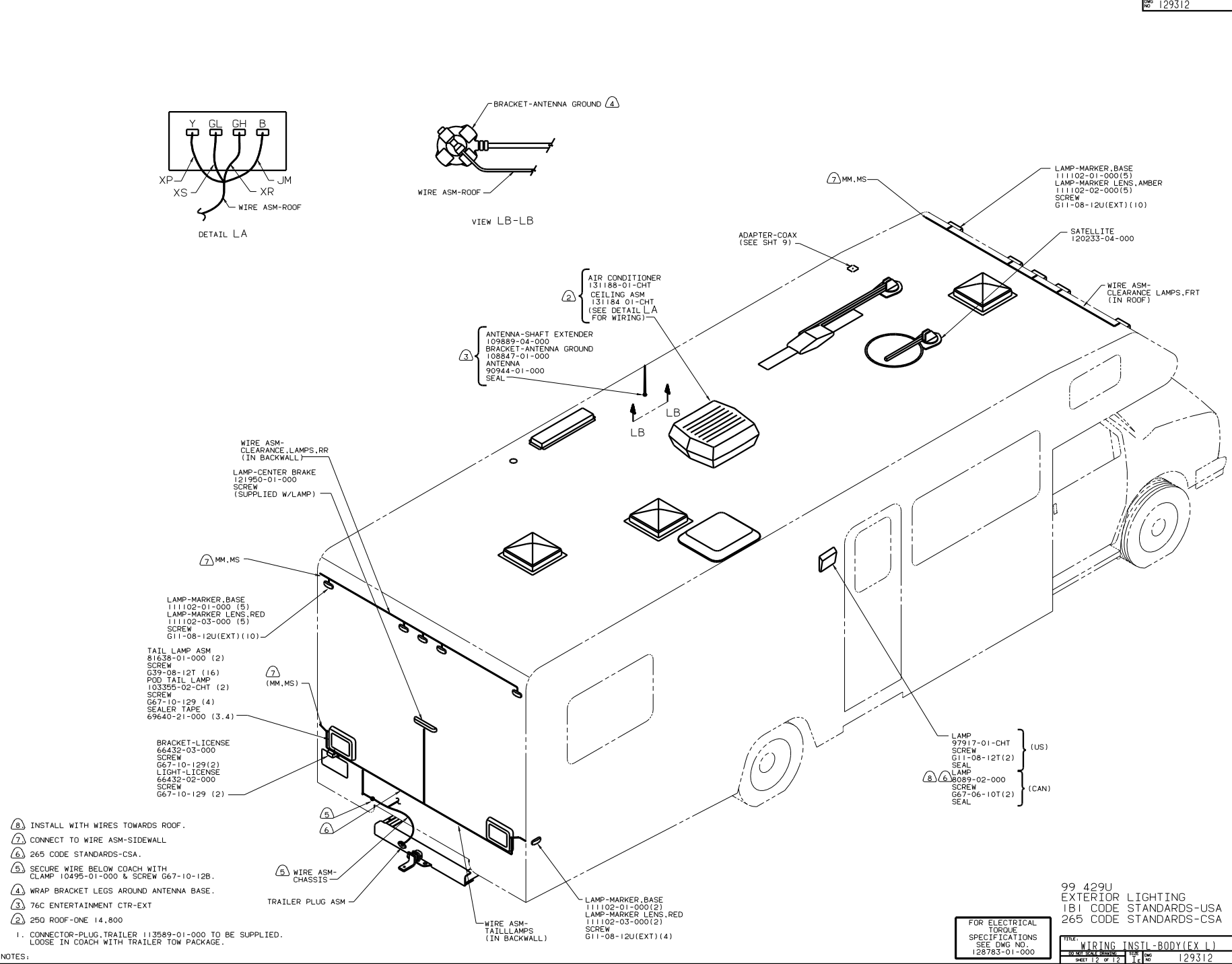
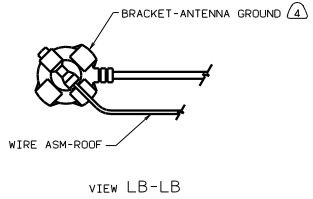
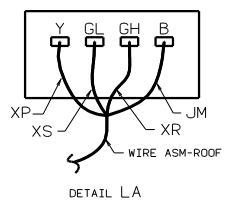
- ⑫ SEE WIRING INSTL-TV/VCR SIDE FOR ADDITIONAL INFORMATION.
- ⑪ TAPE ANTENNA-EXTENSIONS TOGETHER WITH TAPE 8363-01-000.
- ⑩ SEE WIRING INSTL-TV/VCR,FRONT FOR ADDITIONAL INFORMATION.
- ⑨ 76C ENTERTAINMENT CTR-EXT
- ⑧ WIRE LAYED UP IN ROOF FOR CUSTOMER USEAGE.
- ⑦ WIRE ROUTED IN ROOF.
- ⑥ 210 TV-19" W/VCR/SWITCHING SYSTEM OR 42T TV-19" W/SW-SYS.
- ⑤ ADD RUBBER BUMPER UNDER EACH END OF ANTENNA IN DOWN POSITION WHICH MAY COME IN CONTACT WITH ROOF.
- ④ LOCATED TO RETAIN CABLE BUT NOT TO RESTRICT ANTENNA TRAVEL.
- ③ SEE DRAWING 76319-01-000 FOR INSTALLATION OF TV ANTENNA.
- ② ROUTED THROUGH FLOOR.
- ① NOT USED WITH 42T TV-19" W/SW-SYS OR 210 TV-19" W/VCR/SWITCHING SYSTEM

99 429U
 COAXIAL CABLE
 45G BED-TWIN
 1B1 CODE STANDARDS-USA
 265 CODE STANDARDS-CSA

FOR ELECTRICAL TORQUE SPECIFICATIONS SEE DWG NO. 128783-01-000

FILE: WIRING INSTL-BODY(COAX BDRM)
 100% SCALE
 SHEET 11 OF 12

129312



- (8) INSTALL WITH WIRES TOWARDS ROOF.
 - (7) CONNECT TO WIRE ASM-SIDEWALL
 - 265 CODE STANDARDS-CSA.
 - (6) SECURE WIRE BELOW COACH WITH CLAMP 10495-01-000 & SCREW G67-10-12B.
 - (5) WRAP BRACKET LEGS AROUND ANTENNA BASE.
 - (4) 76C ENTERTAINMENT CTR-EXT
 - (3) 250 ROOF-ONE 14.800
- NOTES:
1. CONNECTOR-PLUG, TRAILER 113589-01-000 TO BE SUPPLIED. LOOSE IN COACH WITH TRAILER TOW PACKAGE.

FOR ELECTRICAL TORQUE SPECIFICATIONS SEE DWG NO 128783-01-000

99 429U
EXTERIOR LIGHTING
1B1 CODE STANDARDS-USA
265 CODE STANDARDS-CSA