



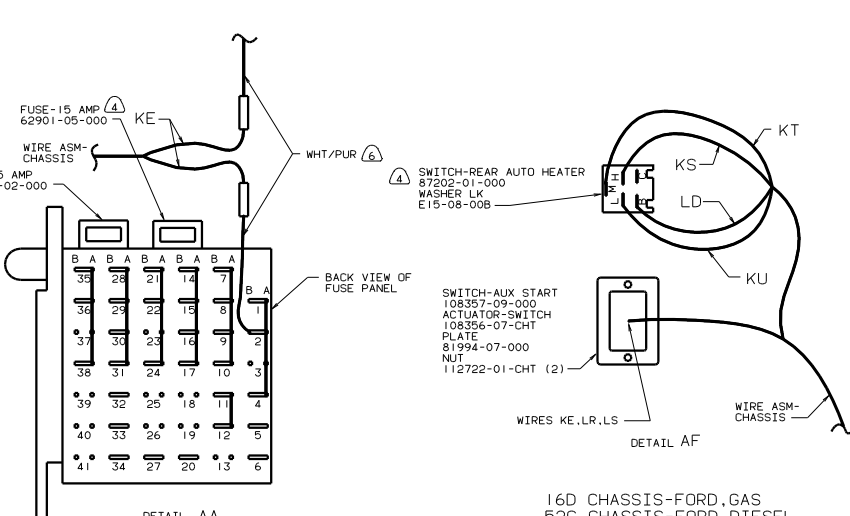
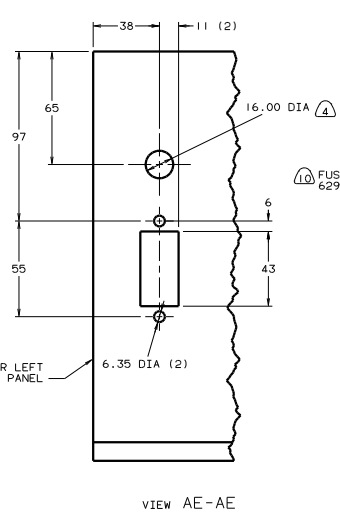
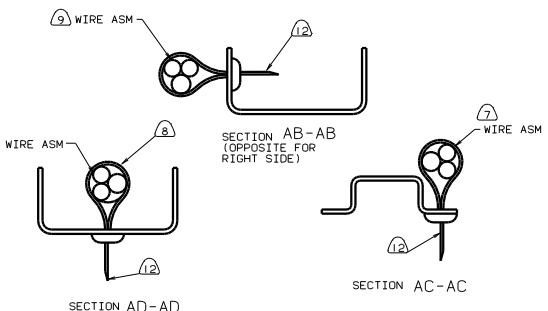
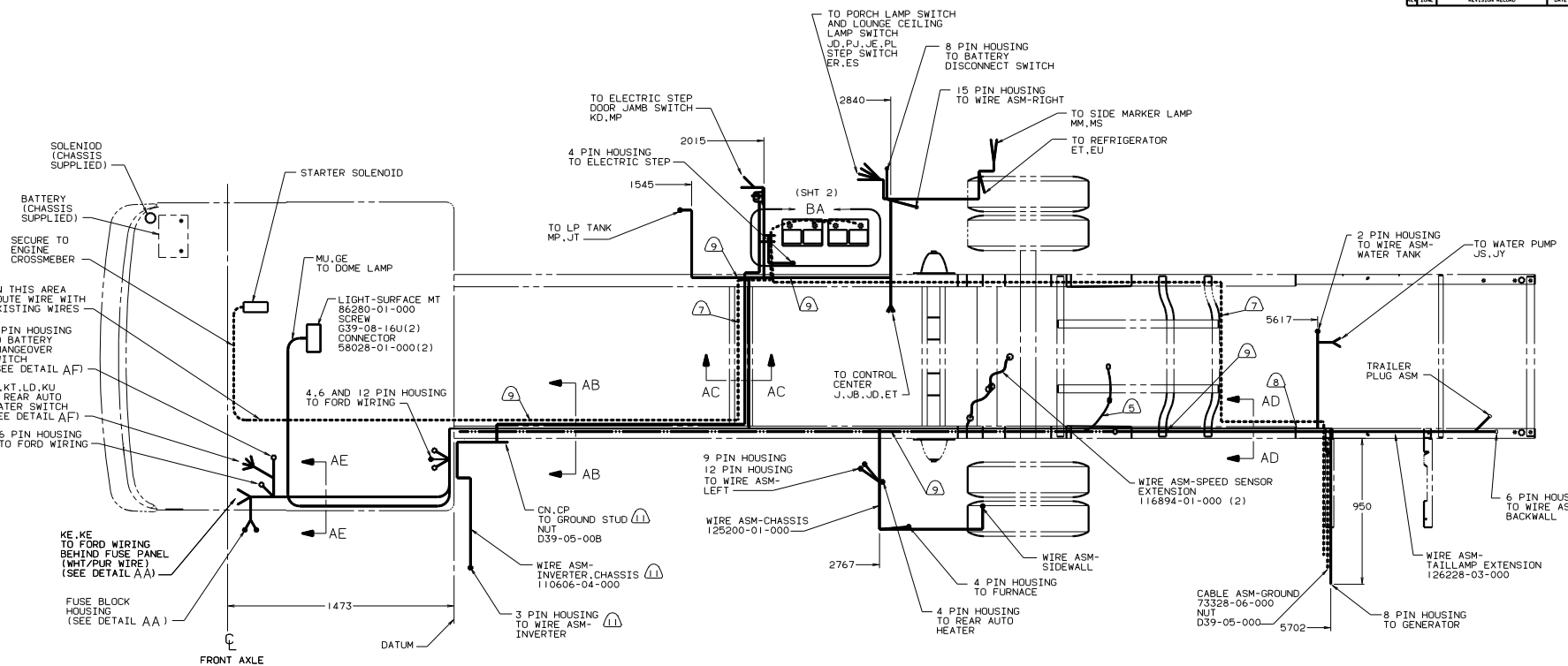
DANGER

Danger of electrical shock, burns or death. Always remove all power sources before attempting any repair, service or diagnostic work. Power can be present from shore power, generator, inverter or battery. All power sources must be disabled and secured before performing any service.



CAUTION

If you lack the skills, tools or equipment to perform diagnostic or repair work leave such work to an authorized Winnebago Industries dealer or other qualified shop.



- 12 CUT OFF EXCESS ENDS OF WIRE TIES.
- 11 40F INVERTER-DC/AC, 130W.
- 10 28X MIRRORS-EXT. W/DEFROST(WINNEBAGO). STANDARD FOR ITASCA.
- 9 WIRES TO BE TIED ON TOP OF RAIL USING EXISTING HOLES.
- 8 WIRES TO BE TIED INSIDE RAIL USING EXISTING HOLES.
- 7 WIRES TO BE TIED TO CROSS MEMBER USING EXISTING HOLES.
- 6 CUT WIRE AND RECONNECT AS SHOWN.
- 5 USE AUX FUEL TANKS SENDER WIRE EXT (CHASSIS SUPPLIED).
- 4 611 RR AUTO HTR/MOTORAID.

- 3. USE WIRE TIES 8343-01-000 AND 116673-01-000 APPROXIMATELY 600MM ON CENTER UNLESS OTHERWISE SPECIFIED.
- 2. SECURE CONDUIT 41953-01-000 OVER ALL WIRE IN CONTACT WITH SHARP EDGES.

1. LEGEND: ●●● FORD WIRING ——— WINNEBAGO WIRING CABLE.

FOR ELECTRICAL TORQUE SPECIFICATIONS SEE DWG NO. 128783-01-000

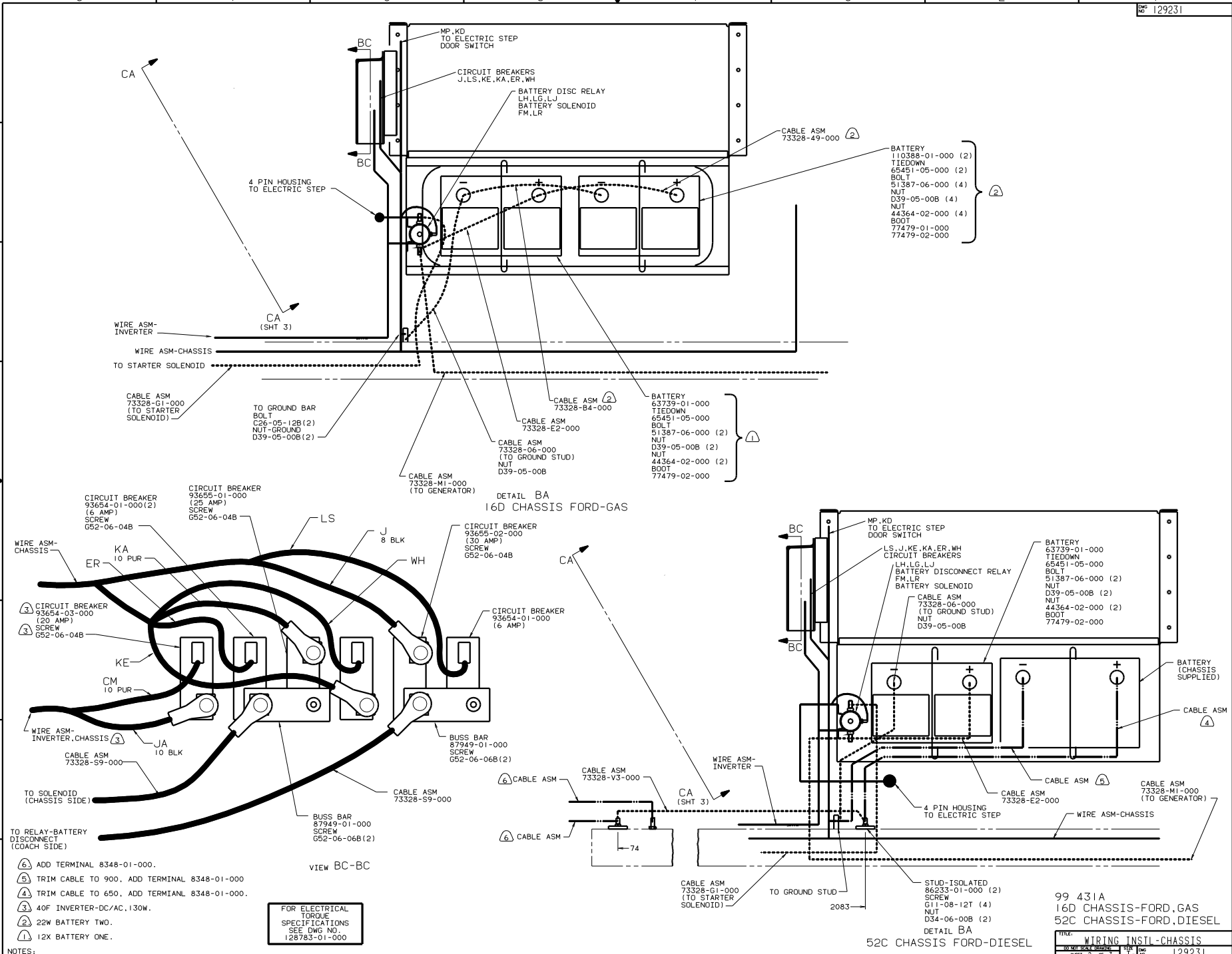
16D CHASSIS-FORD, GAS
52C CHASSIS-FORD, DIESEL

QTY	DATE	UNSPECIFIED TOLERANCES ARE:	MATERIAL
CHP	DATE	HALF DIM (H)	
DFE	DATE	ONE-PLACE (H, H1)	
D/E	DATE	TWO-PLACE (H, H1)	
CONP	DATE	THIRD PLACE (H)	

WINNEBAGO 99 431A

WIRING INSTL-CHASSIS

SHEET 1 OF 3



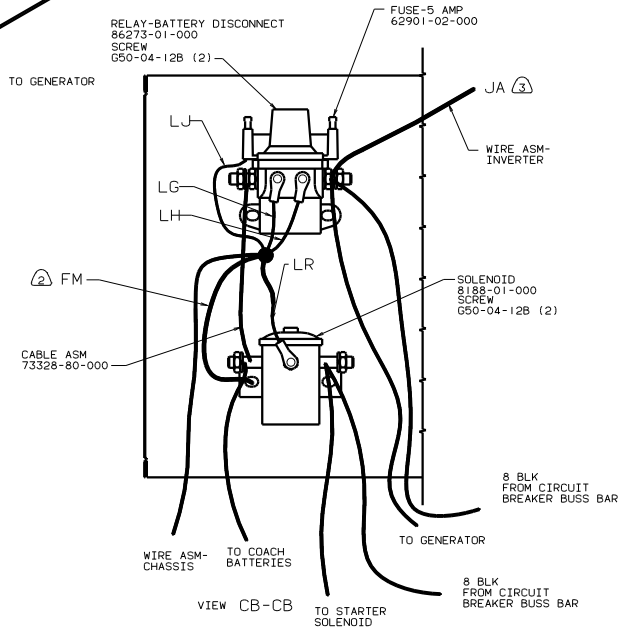
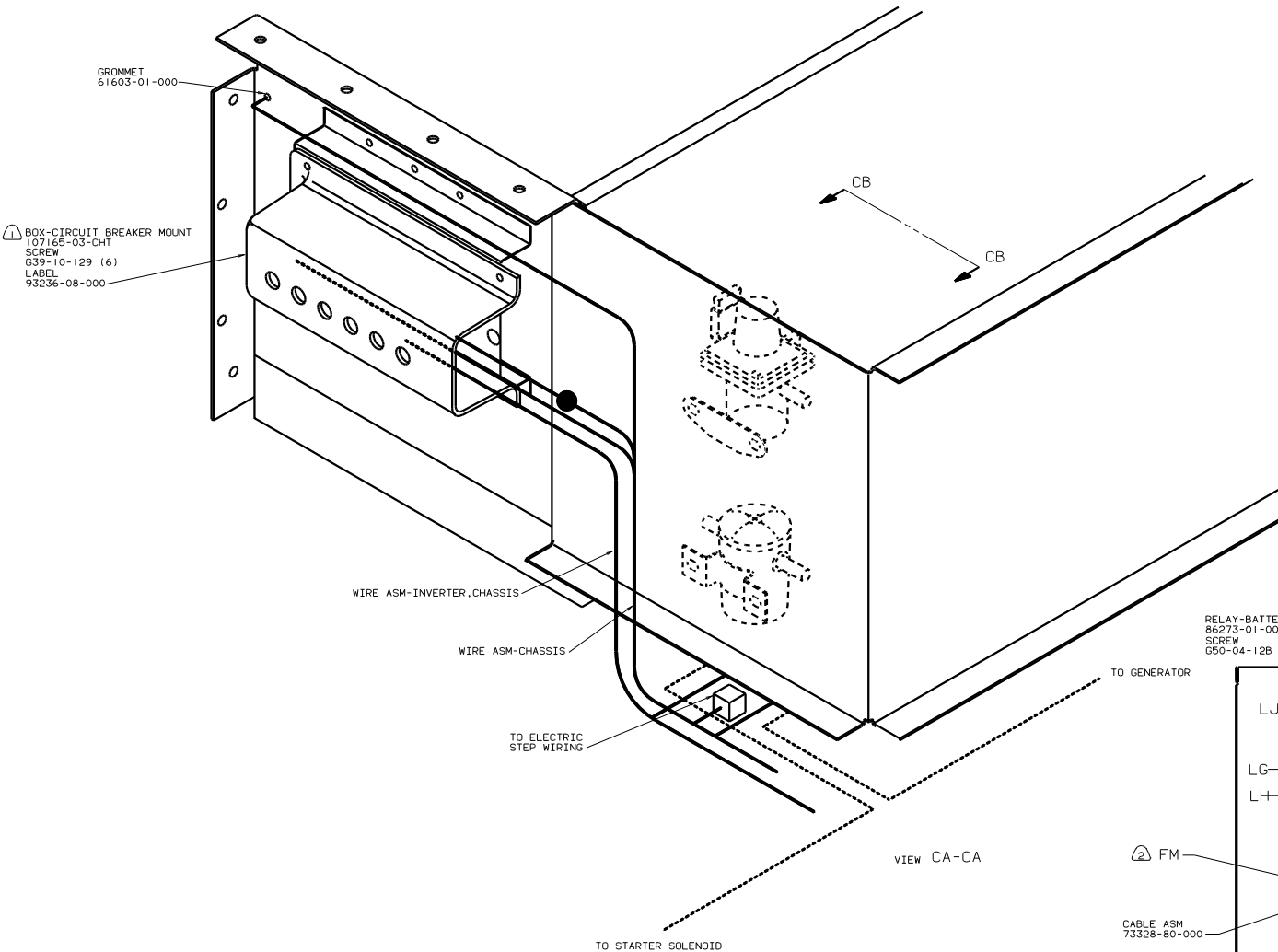
- BATTERY 110388-01-000 (2)
- TIEDOWN 68491-05-000 (2)
- BOLT 51387-06-000 (4)
- NUT D39-05-00B (4)
- NUT 44364-02-000 (4)
- BOOT 77479-01-000
- 77479-02-000

- BATTERY 63739-01-000
- TIEDOWN 65451-05-000
- BOLT 51387-06-000 (2)
- NUT D39-05-00B (2)
- NUT 44364-02-000 (2)
- BOOT 77479-02-000

FOR ELECTRICAL TORQUE SPECIFICATIONS SEE DWG NO. 128783-01-000

- ⑥ ADD TERMINAL 8348-01-000.
- ⑤ TRIM CABLE TO 900. ADD TERMINAL 8348-01-000
- ④ TRIM CABLE TO 650. ADD TERMINAL 8348-01-000.
- ③ 40F INVERTER-DC/AC, 130W.
- ② 22W BATTERY TWO.
- ① 12X BATTERY ONE.

99 431A		16D CHASSIS-FORD,GAS	
52C CHASSIS-FORD,DIESEL		DETAIL BA	
52C CHASSIS FORD-DIESEL		WIRING INSTL-CHASSIS	
DATE	BY	CHK	APP
SHEET 2 OF 3		DWG NO 129231	



- (3) 40F INVERTER-DC/AC, 130W.
- (2) SECURE WITH SOLENOID MOUNTING SCREW.
- (1) LOCATE BOX VERTICALLY BY CENTERING ON HOLE IN COMPT.

FOR ELECTRICAL TORQUE SPECIFICATIONS SEE DWG NO. 128783-01-000

99 431A
16D CHASSIS-FORD, GAS
52C CHASSIS-FORD, DIESEL

TITLE	WIRING INSTL-CHASSIS
NO. OF SCALE EDITS	1
SHEET	3 OF 3
REV	1 E
DWG NO.	129231