



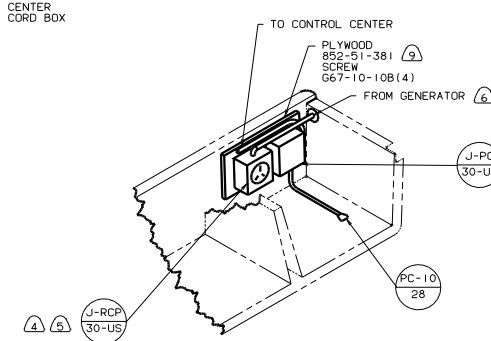
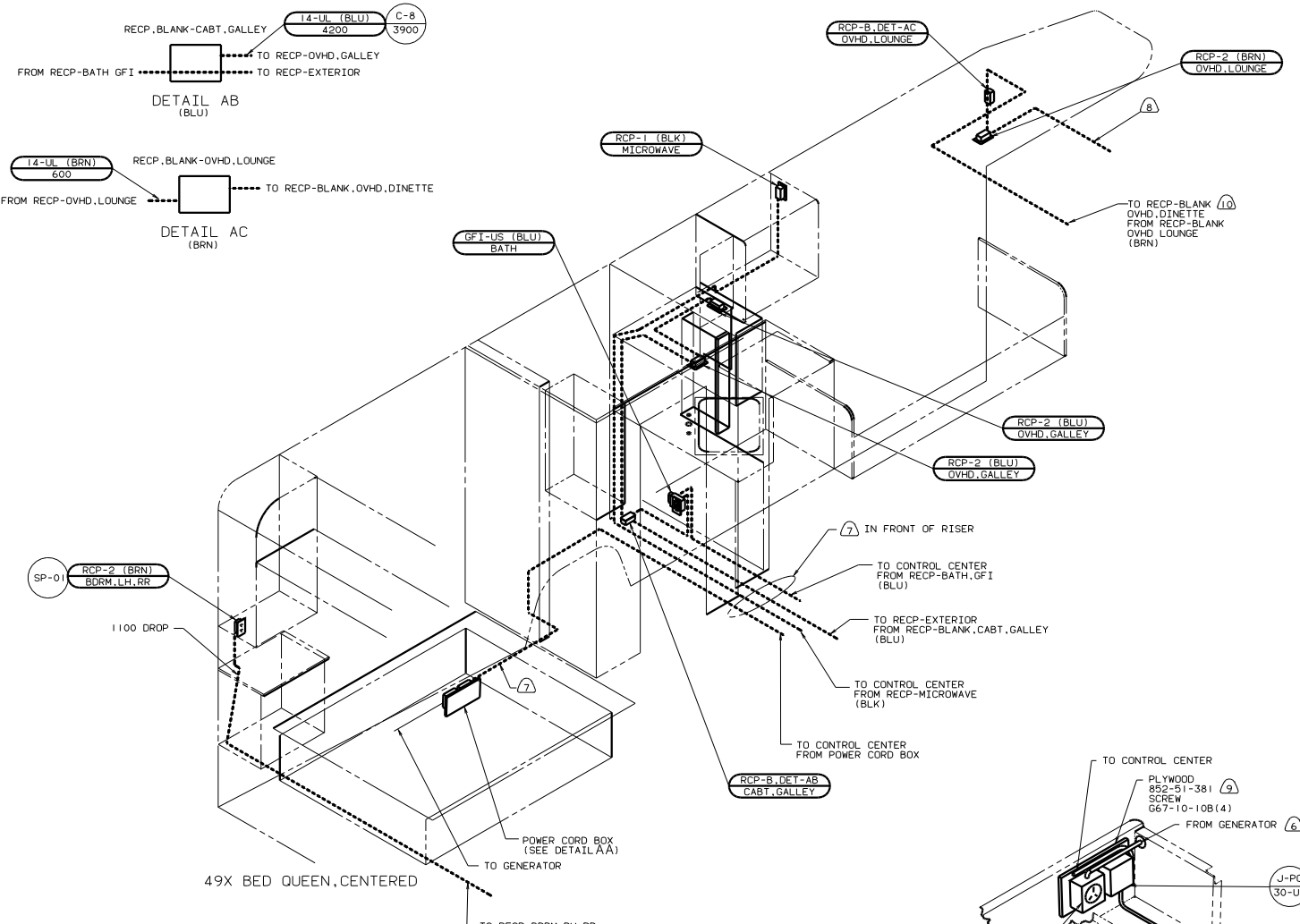
DANGER

Danger of electrical shock, burns or death. Always remove all power sources before attempting any repair, service or diagnostic work. Power can be present from shore power, generator, inverter or battery. All power sources must be disabled and secured before performing any service.



CAUTION

If you lack the skills, tools or equipment to perform diagnostic or repair work leave such work to an authorized Winnebago Industries dealer or other qualified shop.



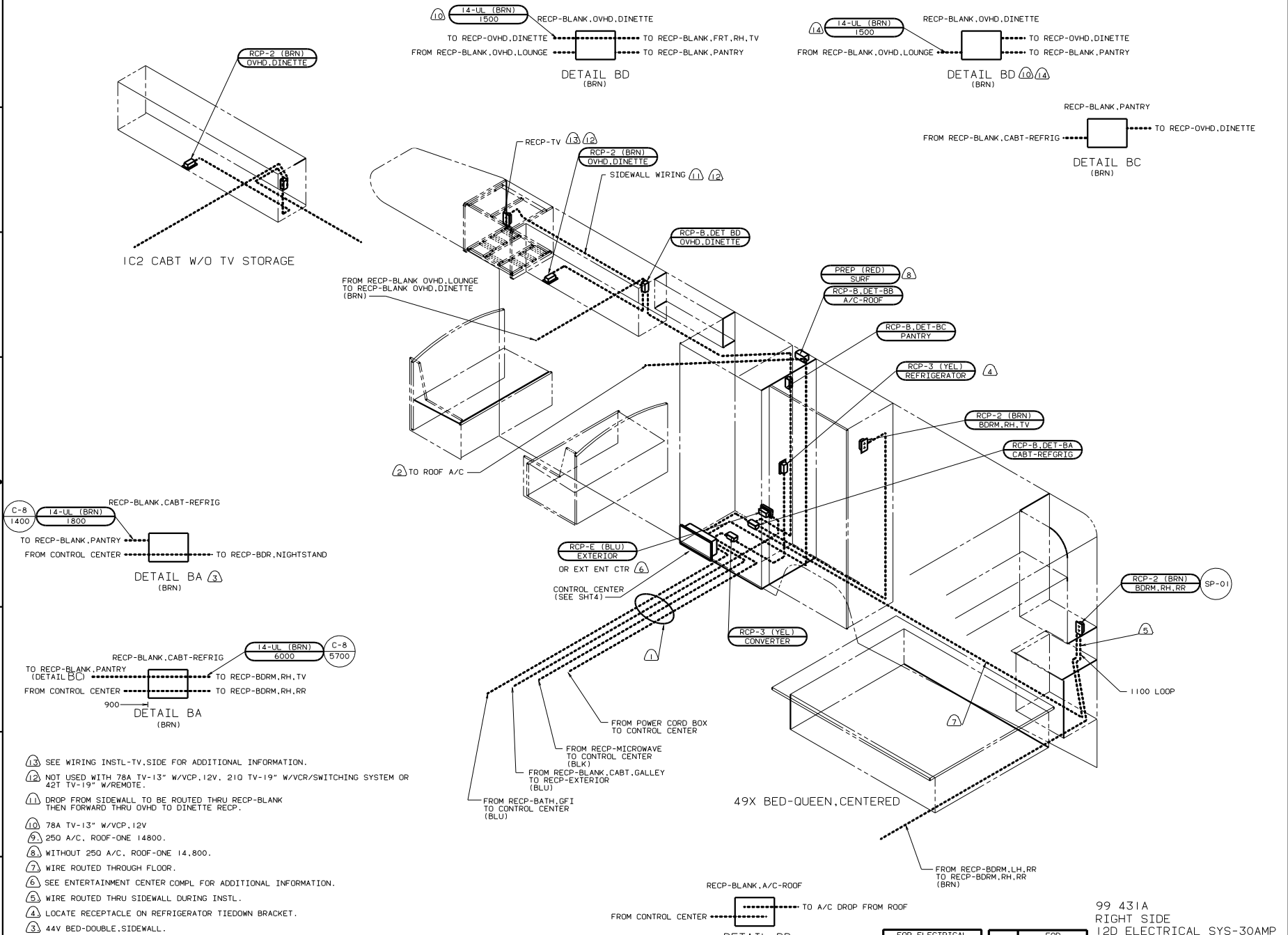
- NOTES:
- WIRE ROUTED IN ROOF.
 - PAINT EXPOSED SURFACES BLACK WITH 106112-01-000.
 - SEE WIRING INSTL-TV/VCR,FRONT FOR ADDITIONAL INFORMATION.
 - WIRE ROUTED BELOW FLOOR.
 - SEAL WITH BEDDING COMPOUND 69639-01-000.
 - INSTALL RECEPTACLE WITH GROUND OPENING LOCATED FORWARD IN VEHICLE.
 - 40N GEN-4.0KW MICROLITE,GAS.
 - ALL GROUND WIRES TO BE COVERED WITH TUBING 8041-02-000.
 - ALL 110V WIRES ARE TO BE CLAMPED WITH CLAMP 10495-05-000 WITHIN 200 OF OUTLET BOXES. USE SCREW G67-10-12B.
 - ALL WIRES TO BE CLAMPED WITH CLAMP 10495-01-000 OR CLIP 80734-02-000 EVERY 600, USE SCREW G67-10-12B UNLESS OTHERWISE SPECIFIED.

FOR ELECTRICAL SPECIFICATIONS SEE DWG NO. 128783-01-000

FOR ELECTRICAL CALLOUTS SEE DWG NO. 121339-01-000

LEFT SIDE
 12D ELECTRICAL SYS-30AMP
 IBI CODE STANDARDS-USA

WINNEBAGO		99 431A
QTY IN	DATE	UNSPECIFIED TOLERANCES ARE:
CHG	DATE	WHOLE DIM (1)
REV	DATE	ONE-PLACE (16.01)
D/E	DATE	TWO-PLACE (16.00)
DATE	DATE	ANGLE
COMP	DATE	THIRD WHOLE (16.000)
PROD	DATE	PRODUCTION
LAND	DATE	
REV	SCALE	NOTE
WIRING INSTL-BODY(110L30USA)		129228
SHEET	1 OF 14	1 E



- 13 SEE WIRING INSTL-TV,SIDE FOR ADDITIONAL INFORMATION.
- 12 NOT USED WITH 78A TV-13" W/VCP,12V, 210 TV-19" W/VCR/SWITCHING SYSTEM OR 42T TV-19" W/REMOTE.
- 11 DROP FROM SIDEWALL TO BE ROUTED THRU RECP-BLANK THEN FORWARD THRU OVHD TO DINETTE RECP.
- 10 78A TV-13" W/VCP,12V
- 9 250 A/C, ROOF-ONE 14800.
- 8 WITHOUT 250 A/C, ROOF-ONE 14,800.
- 7 WIRE ROUTED THROUGH FLOOR.
- 6 SEE ENTERTAINMENT CENTER COMPL FOR ADDITIONAL INFORMATION.
- 5 WIRE ROUTED THRU SIDEWALL DURING INSTL.
- 4 LOCATE RECEPTACLE ON REFRIGERATOR TIEDOWN BRACKET.
- 3 44V BED-DOUBLE,SIDEWALL.
- 2 WIRE ROUTED IN ROOF.
- 1 WIRE ROUTED BELOW FLOOR

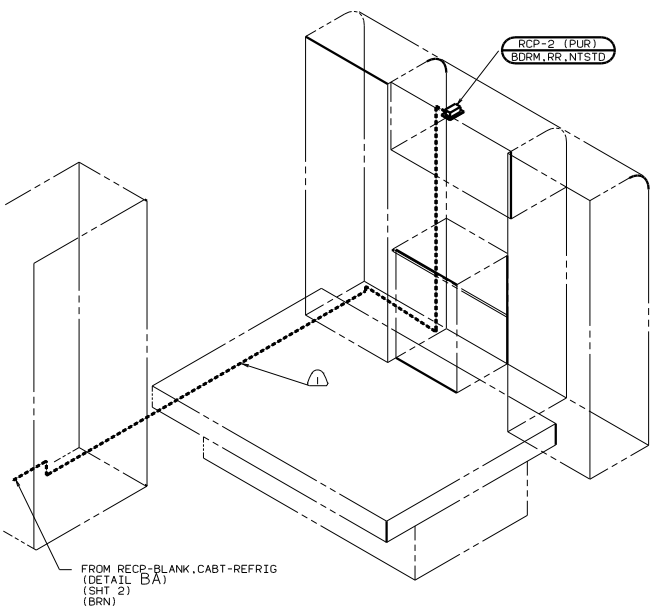
NOTES:

14 210 TV-19" W/VCR/SWITCHING SYSTEM OR 42T TV-19" W/REMOTE.

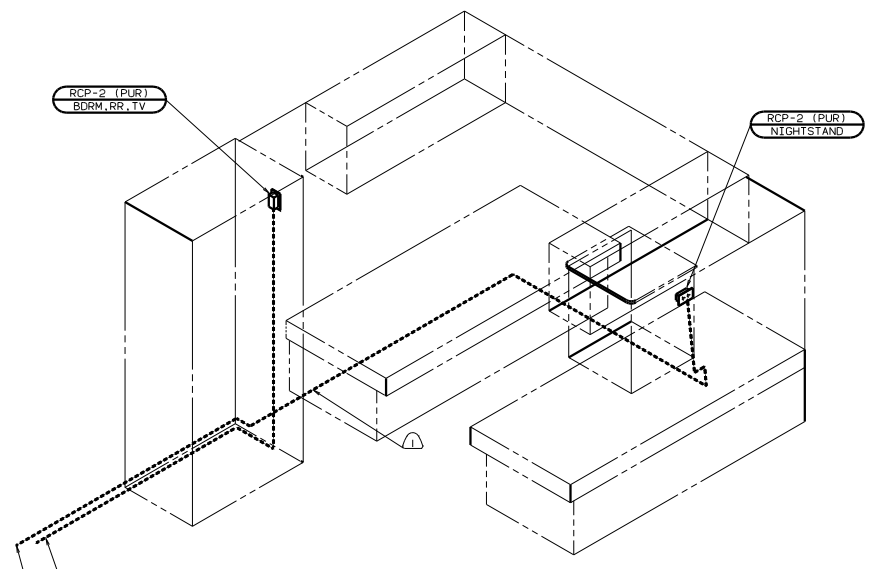
FOR ELECTRICAL TORQUE SPECIFICATIONS SEE DWG NO. 128783-01-000	X-X	FOR ELECTRICAL CALLOUTS SEE DWG NO. 121339-01-000
--	-----	---

99 431A
 RIGHT SIDE
 120 ELECTRICAL SYS-30AMP
 1B1-CODE STANDARDS-USA

TITLE	WIRING INSTL-BODY(110R30USA)
NO. OF SHEETS	2 OF 14
SHEET NO.	1E
DATE	129228



44V DOUBLE BED



45G TWIN BEDS

⚠ WIRE ROUTED THRU FLOOR.

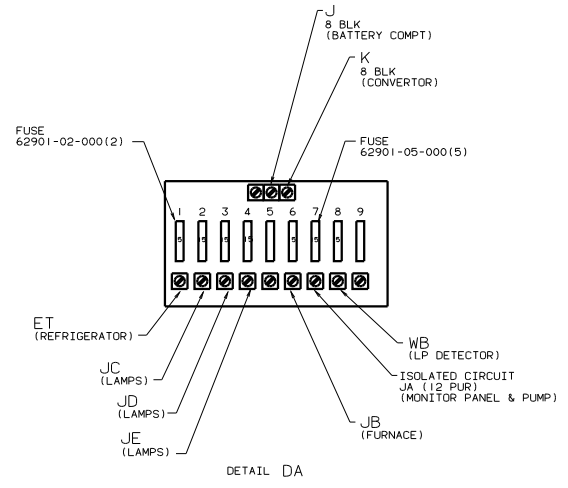
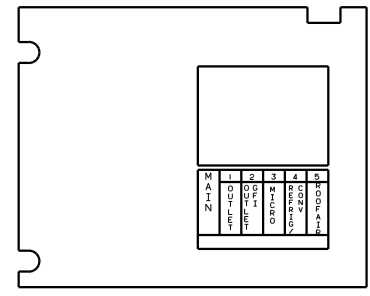
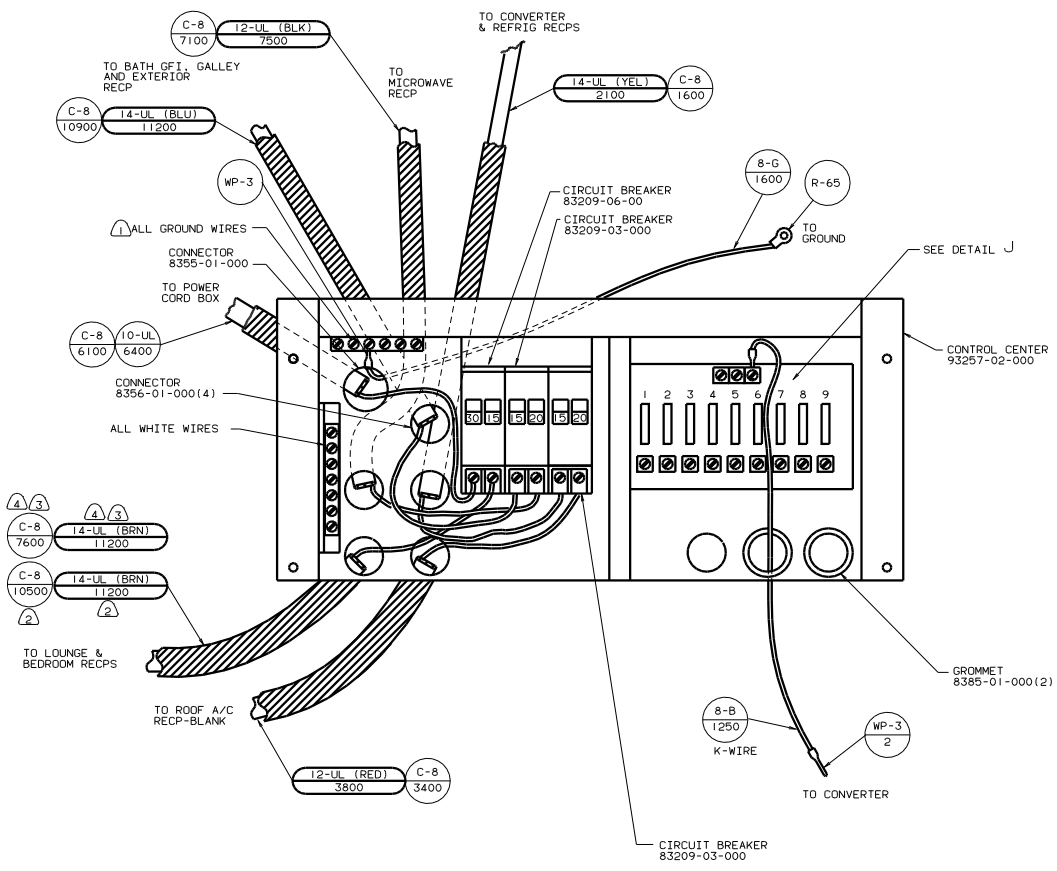
NOTES:

FOR ELECTRICAL TORQUE SPECIFICATIONS SEE DWG NO. 128783-01-000

FOR ELECTRICAL CALLOUTS SEE DWG NO. 121339-01-000

99 431A
 12D ELECTRICAL SYS-30 AMP
 265 CODE STANDARDS-CSA
 1B1 CODE STANDARDS-USA

TITLE		WIRING INSTL-BODY(L10 BDRM)	
NO. OF SHEETS	TOTAL SHEETS	DWG NO.	129228
SHEET 3	OF 14	REV	1.0



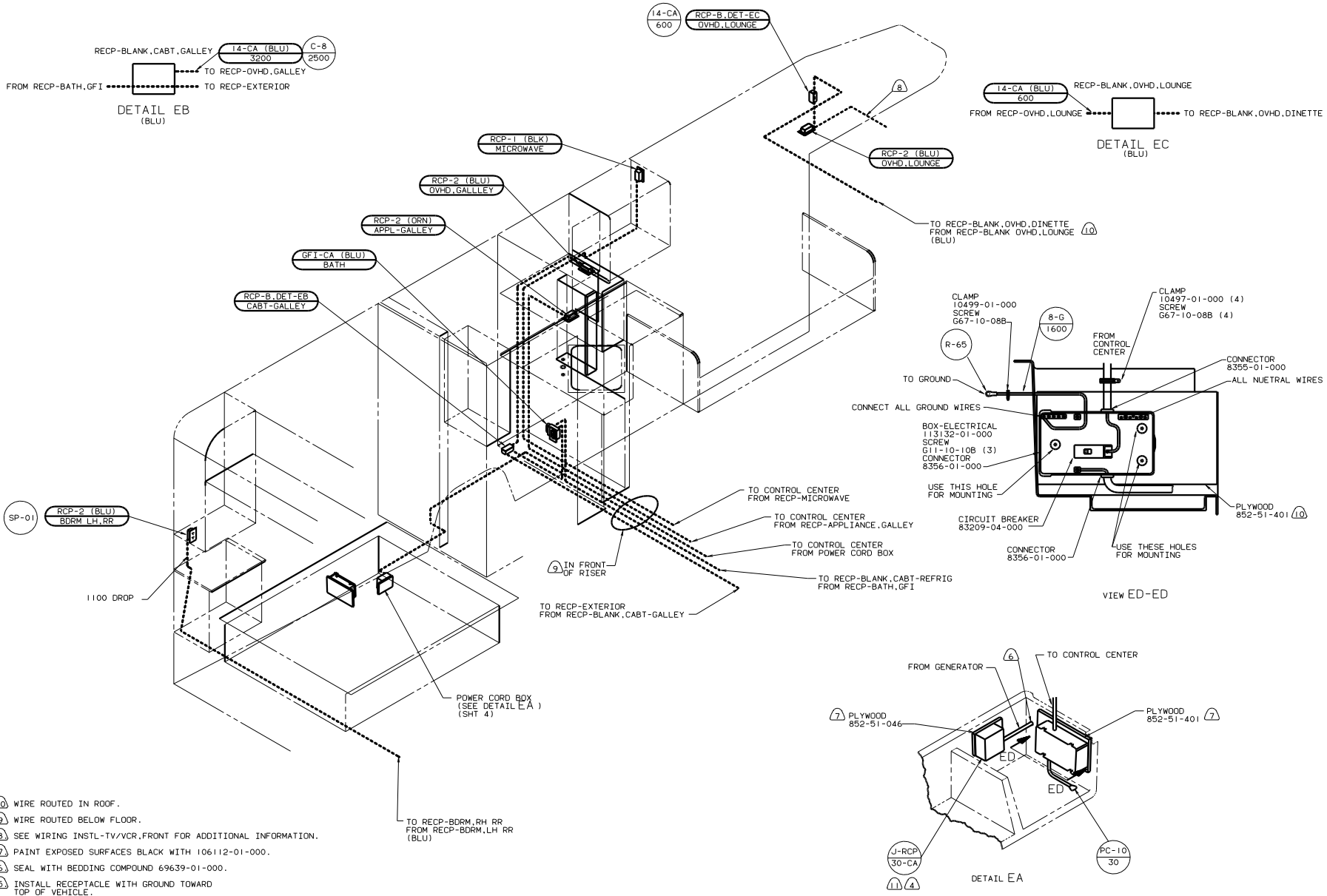
- ④ 44V BED-DOUBLE, SIDEWALL.
- ③ 45G BED-TWINS.
- ② 49X BED-QUEEN, CENTERED.
- ① ALL GROUND WIRES TO BE COVERED WITH TUBING 8041-02-000.

FOR ELECTRICAL TORQUE SPECIFICATIONS SEE DWG NO. 128783-01-000

FOR ELECTRICAL CALLOUTS SEE DWG NO. 121339-01-000

99 431A
CONTROL CENTER
12D ELECTRICAL SYS-30 AMP
IB1 CODE STANDARDS-USA

TITLE		WIRING INSTL-BODY(30 CC USA)	
NO. THIS SHEET CONTAINS		1 OF 1	
SHEET		4 OF 14	
DWG NO.		129228	



DETAIL EB (BLU)

DETAIL EC (BLU)

VIEW ED-ED

DETAIL EA

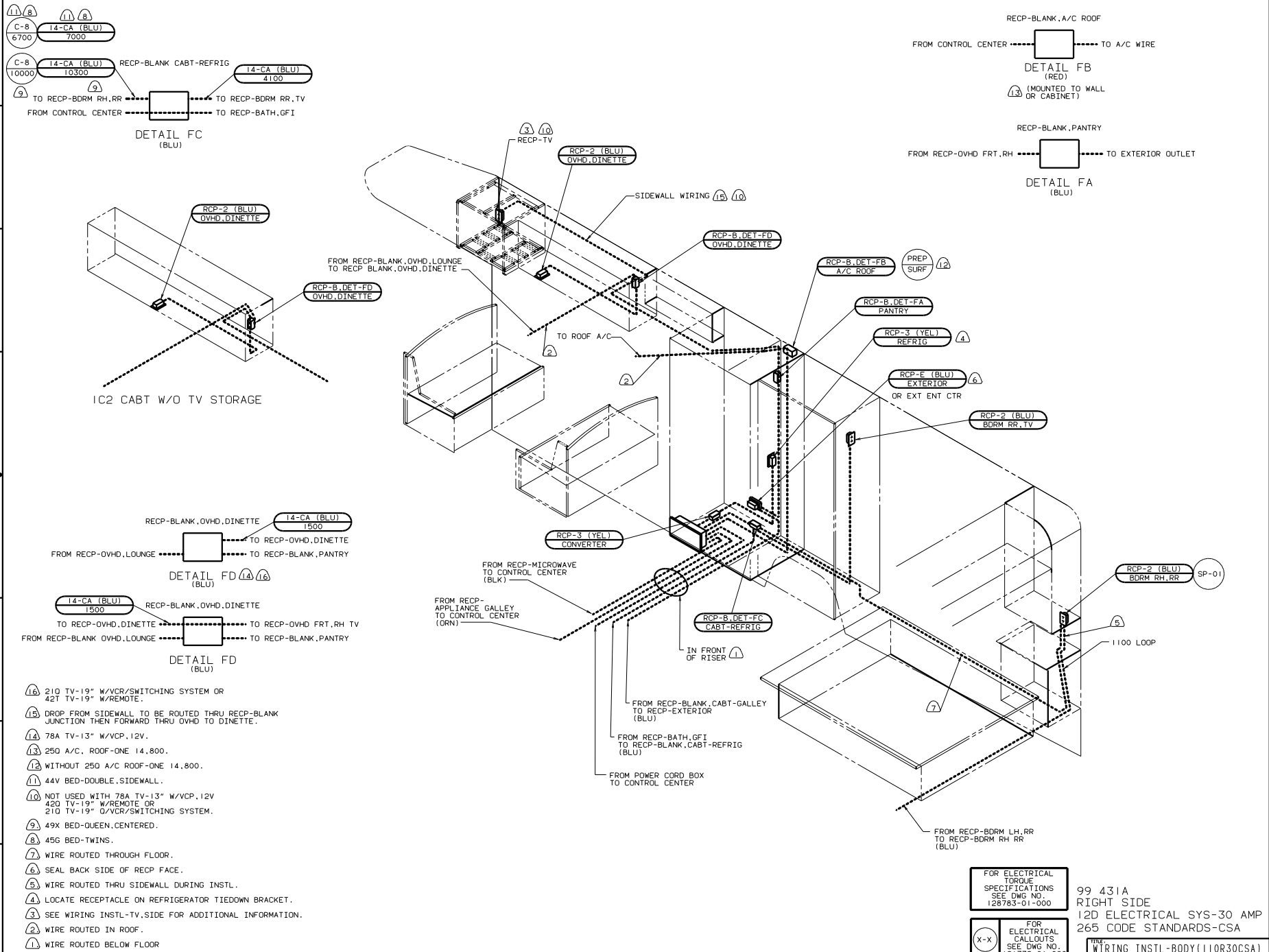
- NOTES:
1. ALL WIRES TO BE CLAMPED WITH CLAMP 10495-01-000 OR CLIP 80734-02-000 EVERY 600, USE SCREW G67-10-12B UNLESS OTHERWISE SPECIFIED.
 2. ALL 110V WIRES ARE TO BE CLAMPED WITH CLAMP 10495-05-000 WITHIN 200 OF OUTLET BOXES. USE SCREW G67-10-12B.
 3. ALL GROUND WIRES TO BE COVERED WITH TUBING 8041-02-000.
 4. 40N GEN-4, 0KW MICROLITE, GAS.
 5. SEAL WITH BEDDING COMPOUND 69639-01-000.
 6. PAINT EXPOSED SURFACES BLACK WITH 106112-01-000.
 7. WIRE ROUTED BELOW FLOOR.
 8. WIRE ROUTED IN ROOF.

FOR ELECTRICAL TORQUE SPECIFICATIONS SEE DWG NO. 128783-01-000

FOR ELECTRICAL CALLOUTS SEE DWG NO. 121339-01-000

99 431A
LEFT SIDE
112D ELECTRICAL SYS-30 AMP
265 CODE STANDARDS-CSA

TITLE	WIRING INSTL-BODY(110L30CSA)
DATE	129228
SHEET	5 OF 14



- (16) 210 TV-19" W/VCR/SWITCHING SYSTEM OR 42T TV-19" W/REMOTE.
- (15) DROP FROM SIDEWALL TO BE ROUTED THRU RECP-BLANK JUNCTION THEN FORWARD THRU OVHD TO DINETTE.
- (14) 78A TV-13" W/VCP, 12V.
- (13) 250 A/C, ROOF-ONE 14,800.
- (12) WITHOUT 250 A/C ROOF-ONE 14,800.
- (11) 44V BED-DOUBLE, SIDEWALL.
- (10) NOT USED WITH 78A TV-13" W/VCP, 12V 420 TV-19" W/REMOTE OR 210 TV-19" O/VCR/SWITCHING SYSTEM.
- (9) 49X BED-QUEEN, CENTERED.
- (8) 45G BED-TWINS.
- (7) WIRE ROUTED THROUGH FLOOR.
- (6) SEAL BACK SIDE OF RECP FACE.
- (5) WIRE ROUTED THRU SIDEWALL DURING INSTL.
- (4) LOCATE RECEPTACLE ON REFRIGERATOR TIEDOWN BRACKET.
- (3) SEE WIRING INSTL-TV, SIDE FOR ADDITIONAL INFORMATION.
- (2) WIRE ROUTED IN ROOF.
- (1) WIRE ROUTED BELOW FLOOR

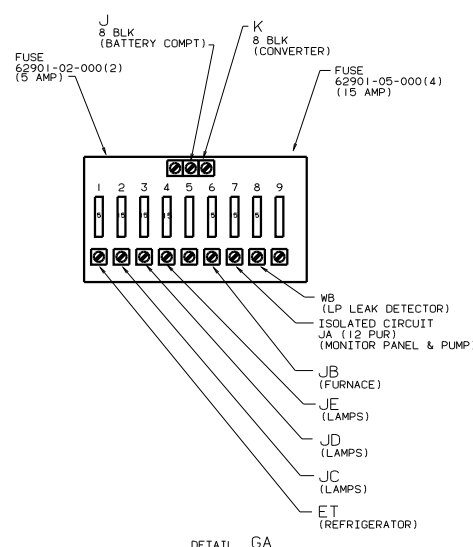
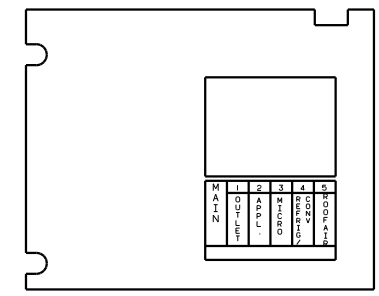
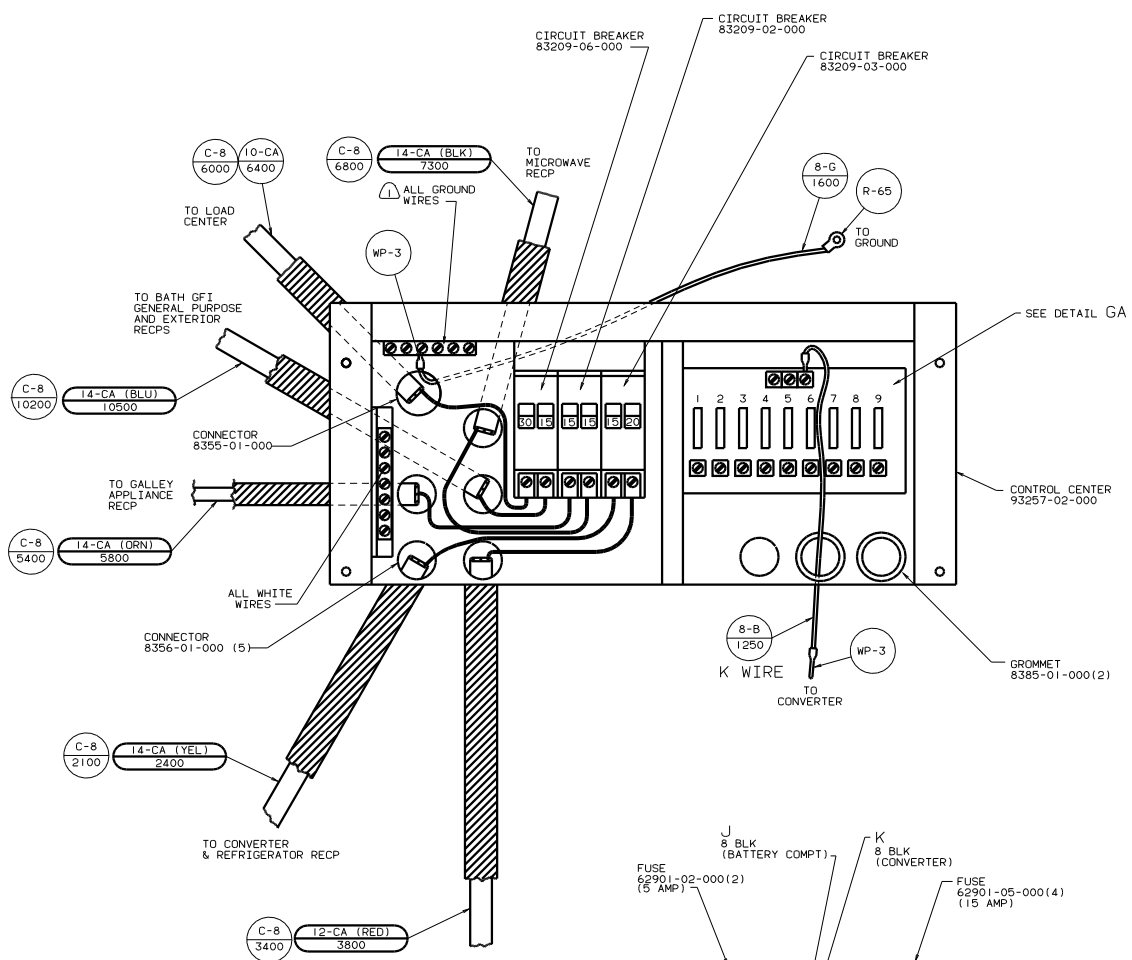
FOR ELECTRICAL TORQUE SPECIFICATIONS SEE DWG NO. 128783-01-000

99 431A
RIGHT SIDE
12D ELECTRICAL SYS-30 AMP
265 CODE STANDARDS-CSA

FOR ELECTRICAL CALLOUTS SEE DWG NO. 121339-01-000

WIRING INSTL-BODY(110R30CSA)
SHEET 6 OF 14

129228



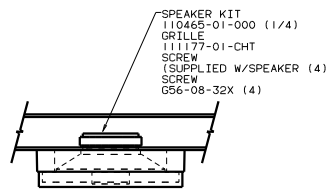
1 ALL GROUND WIRES TO BE COVERED WITH TUBING 8041-02-000.

FOR ELECTRICAL TORQUE SPECIFICATIONS SEE DWG NO. 128783-01-000

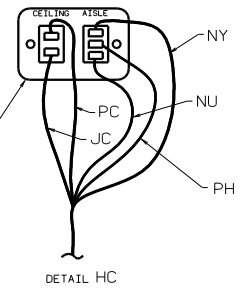
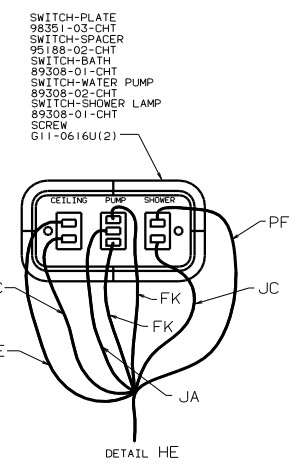
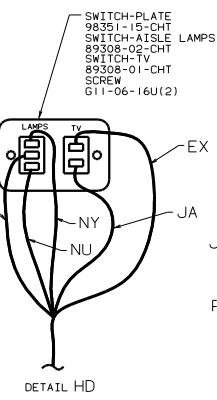
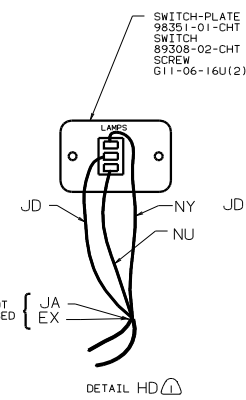
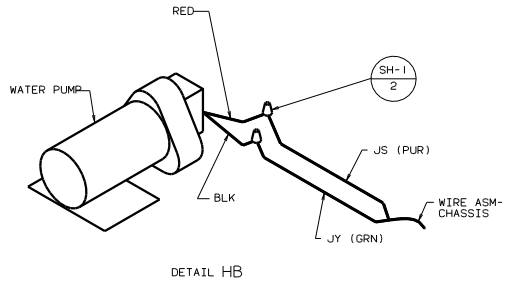
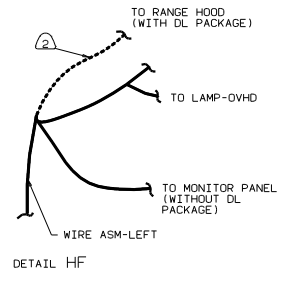
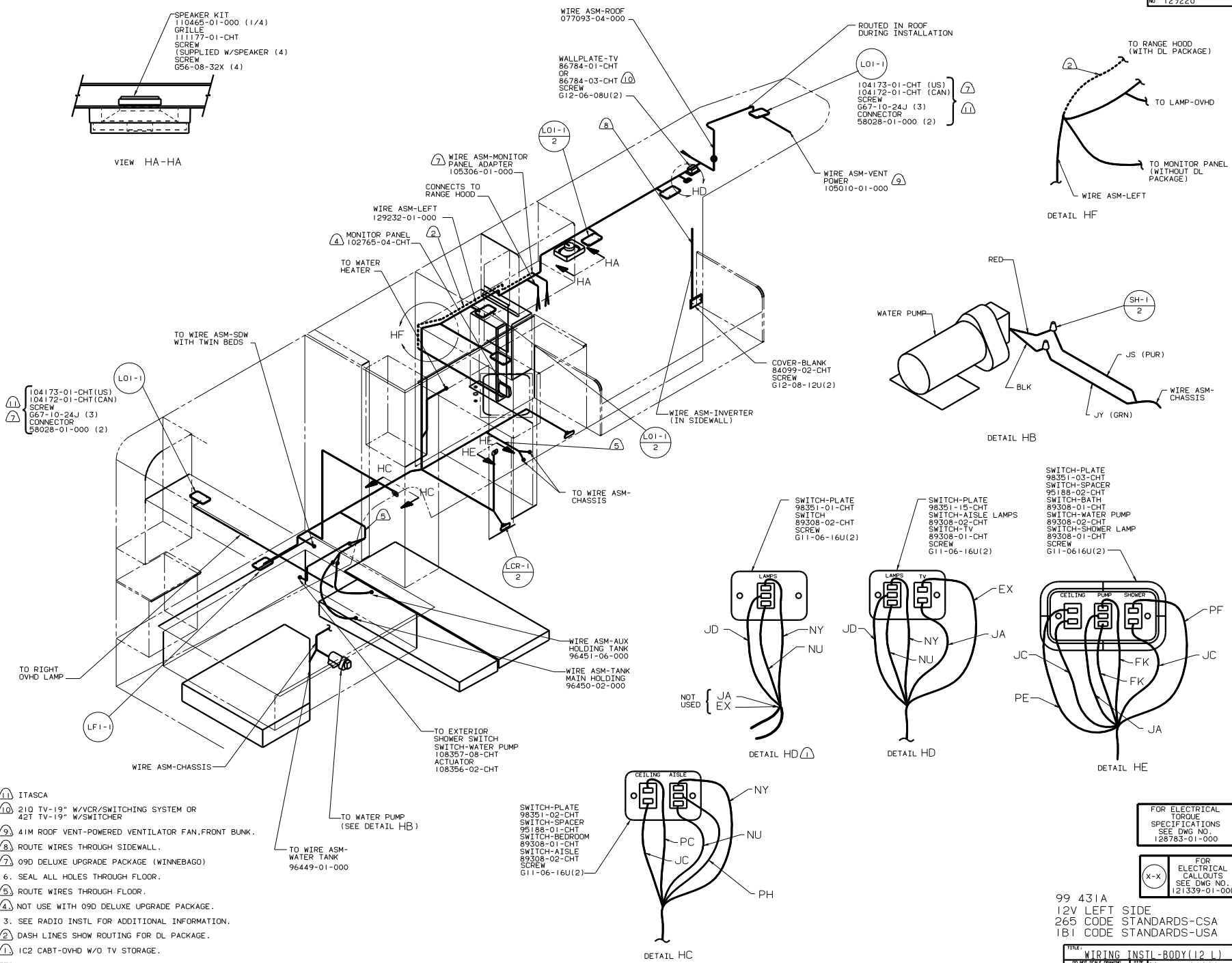
FOR ELECTRICAL CALLOUTS SEE DWG NO. 121339-01-000

99 431A CONTROL CENTER 120 ELECTRICAL SYS-30 AMP 265 CODE STANDARDS-CSA

TITLE WIRING INSTL-BODY(30 CC CSA) SHEET 7 OF 14 DWG NO 129228



VIEW HA-HA



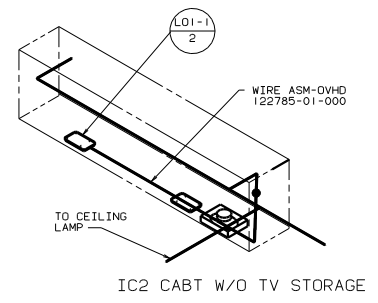
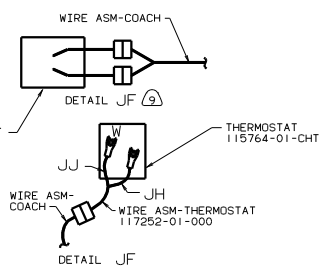
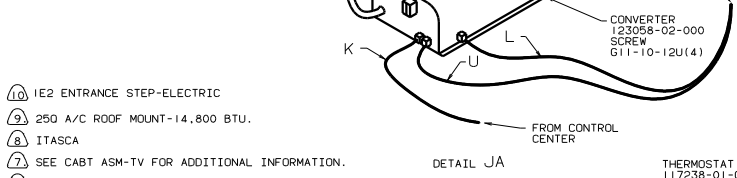
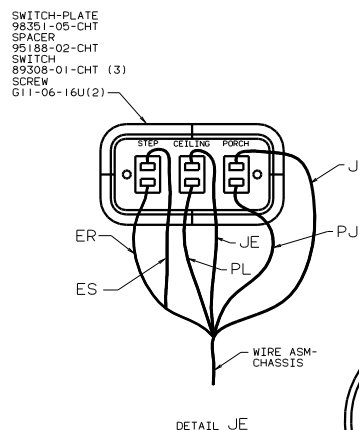
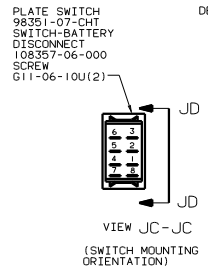
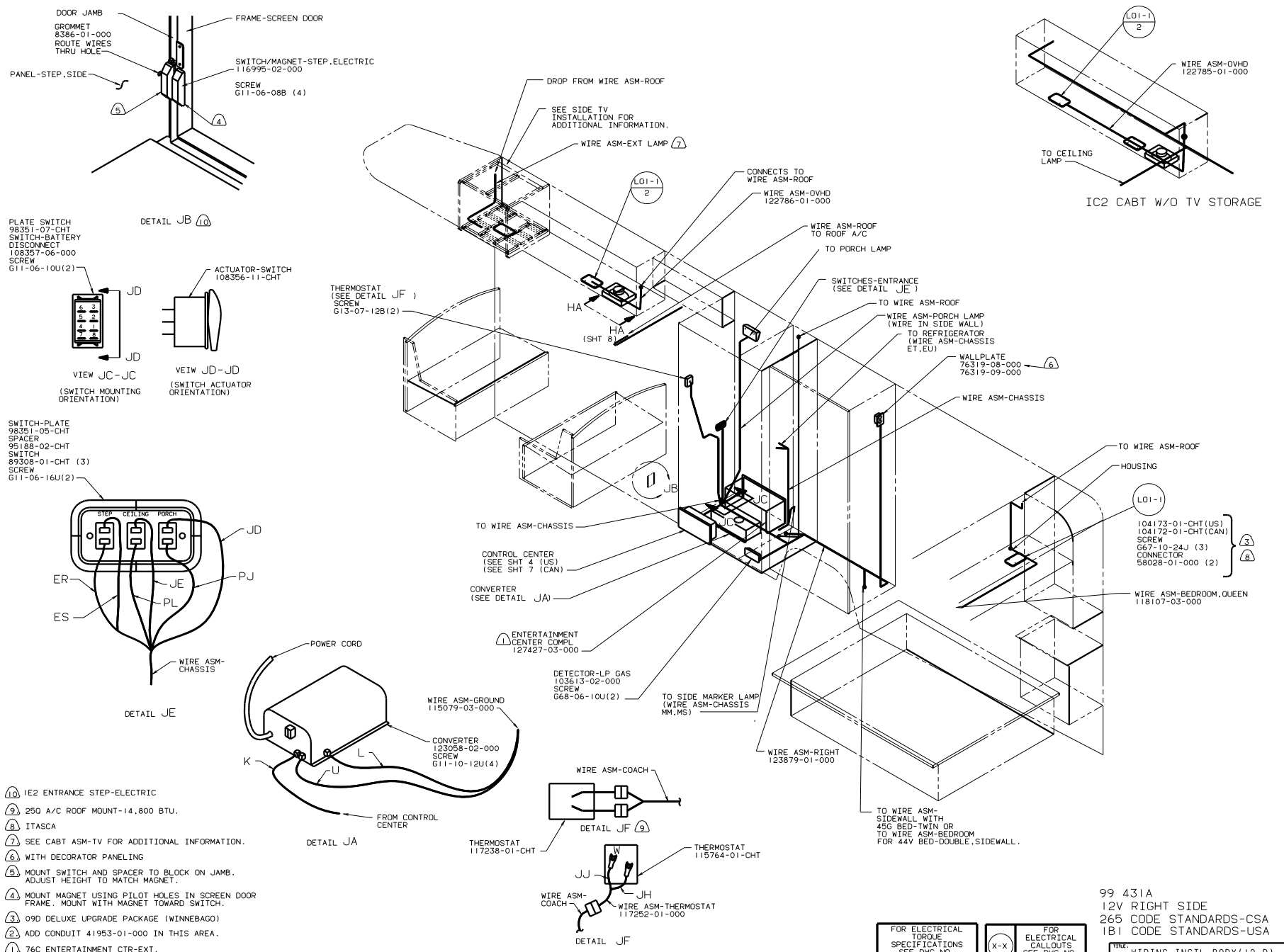
- NOTES:
- 11 ITASCA
 - 10 210 TV-19" W/VCR/SWITCHING SYSTEM OR 42T TV-19" W/SWITCHER
 - 9 41M ROOF VENT-POWERED VENTILATOR FAN, FRONT BUNK.
 - 8 ROUTE WIRES THROUGH SIDEWALL.
 - 7 09D DELUXE UPGRADE PACKAGE (WINNEBAGO)
 - 6 SEAL ALL HOLES THROUGH FLOOR.
 - 5 ROUTE WIRES THROUGH FLOOR.
 - 4 NOT USE WITH 09D DELUXE UPGRADE PACKAGE.
 - 3 SEE RADIO INSTL FOR ADDITIONAL INFORMATION.
 - 2 DASH LINES SHOW ROUTING FOR DL PACKAGE.
 - 1 IC2 CABT-OVHD W/O TV STORAGE.

FOR ELECTRICAL TORQUE SPECIFICATIONS SEE DWG NO. 128783-01-000

FOR ELECTRICAL CALLOUTS SEE DWG NO. 121339-01-000

99 431A
12V LEFT SIDE
265 CODE STANDARDS-CSA
IB1 CODE STANDARDS-USA

TITLE: WIRING INSTL - BODY (12 L)	
NO. OF SHEETS: 8	SHEET NO. 8 OF 14
REV. NO. 1	DWG. NO. 129228



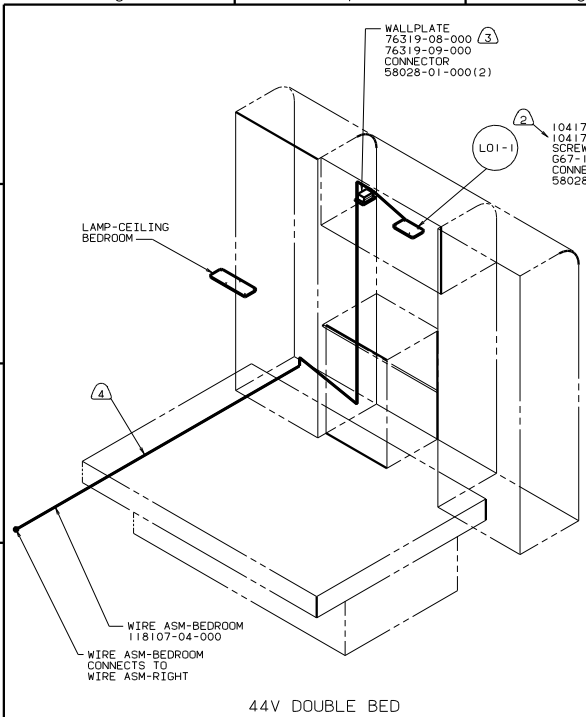
- NOTES:**
- ⑩ IE2 ENTRANCE STEP-ELECTRIC
 - ⑨ 250 A/C ROOF MOUNT-14,800 BTU.
 - ⑧ ITASCA
 - ⑦ SEE CABT ASM-TV FOR ADDITIONAL INFORMATION.
 - ⑥ WITH DECORATOR PANELING
 - ⑤ MOUNT SWITCH AND SPACER TO BLOCK ON JAMB. ADJUST HEIGHT TO MATCH MAGNET.
 - ④ MOUNT MAGNET USING PILOT HOLES IN SCREEN DOOR FRAME. MOUNT WITH MAGNET TOWARD SWITCH.
 - ③ 09D DELUXE UPGRADE PACKAGE (WINNEBAGO)
 - ② ADD CONDUIT 41953-01-000 IN THIS AREA.
 - ① 76C ENTERTAINMENT CTR-EXT.

FOR ELECTRICAL TORQUE SPECIFICATIONS SEE DWG NO. 128783-01-000

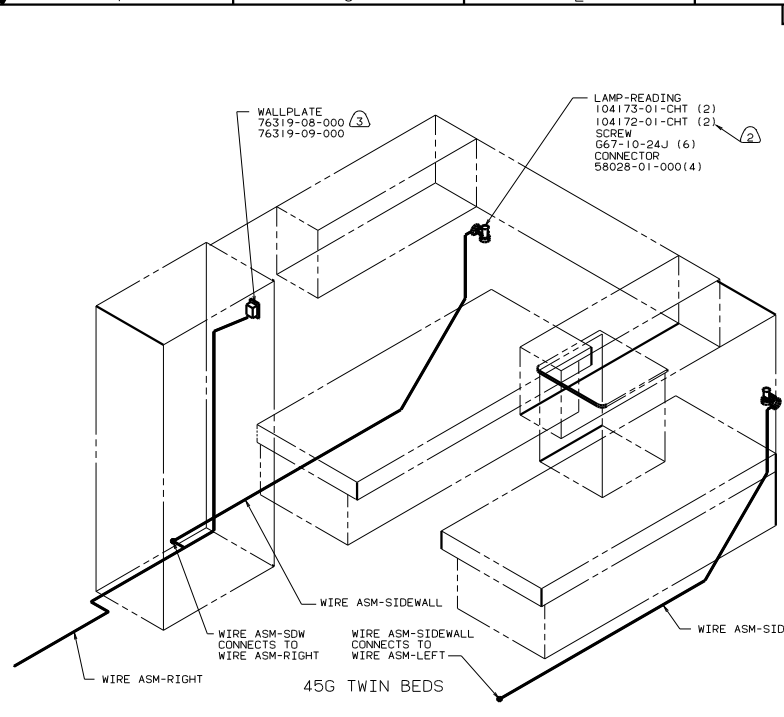
FOR ELECTRICAL CALLOUTS SEE DWG NO. 121339-01-000

99 431A
12V RIGHT SIDE
265 CODE STANDARDS-CSA
IB1 CODE STANDARDS-USA

TITLE	WIRING INSTL-BODY(12_R)
NO. OF SHEETS	12
SHEET NO.	9 OF 14
DATE	129228



44V DOUBLE BED



45G TWIN BEDS

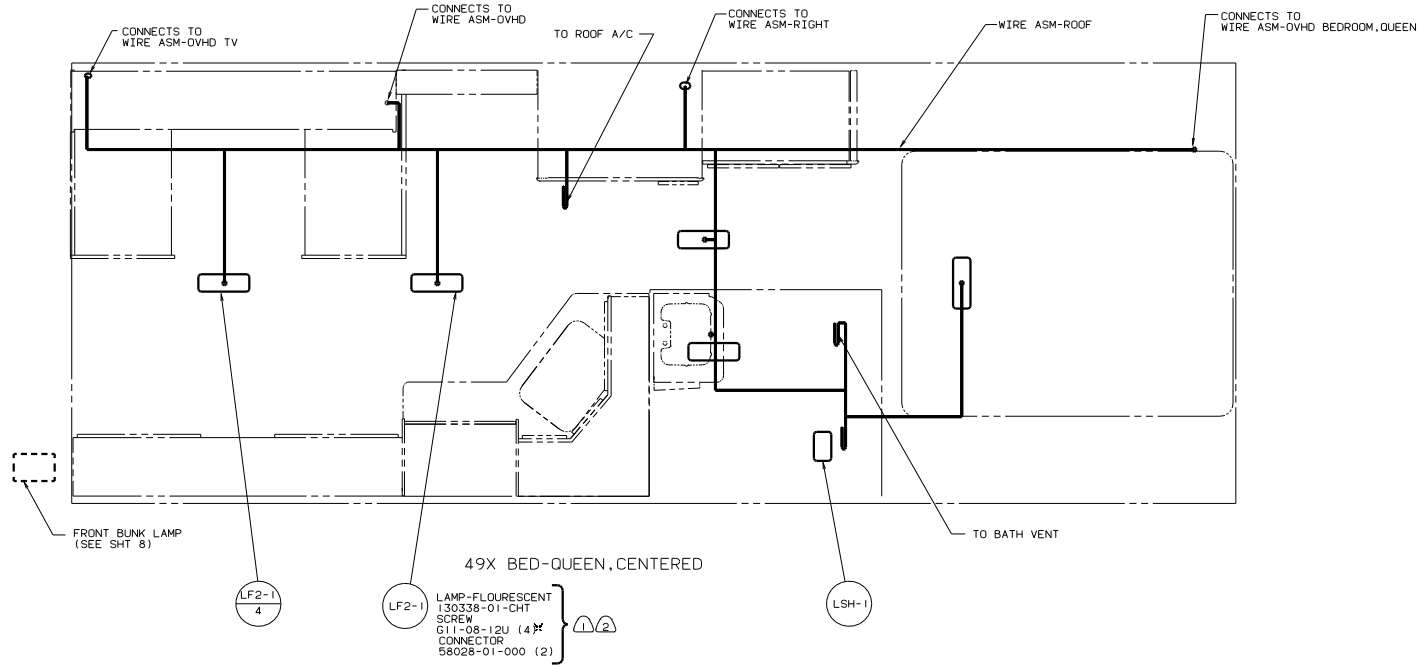
- (5) ITASCA UNITS.
- (4) WIRE ROUTED THRU FLOOR.
- (3) WITH DECORATOR PANELING.
- (2) 265 CODE STANDARDS-CSA.
- (1) 09D DELUXE UPGRADE PACKAGE (WINNEBAGO)

FOR ELECTRICAL TORQUE SPECIFICATIONS SEE DWG NO. 128783-01-000

FOR ELECTRICAL CALLOUTS SEE DWG NO. 121339-01-000

99 431A
12V BEDROOMS
265 CODE STANDARDS-CSA
1B1 CODE STANDARDS-USA

WIRING INSTL-BODY(12 BDRM)
SHEET 10 OF 14



49X BED-QUEEN, CENTERED

LF2-1
4

LF2-1

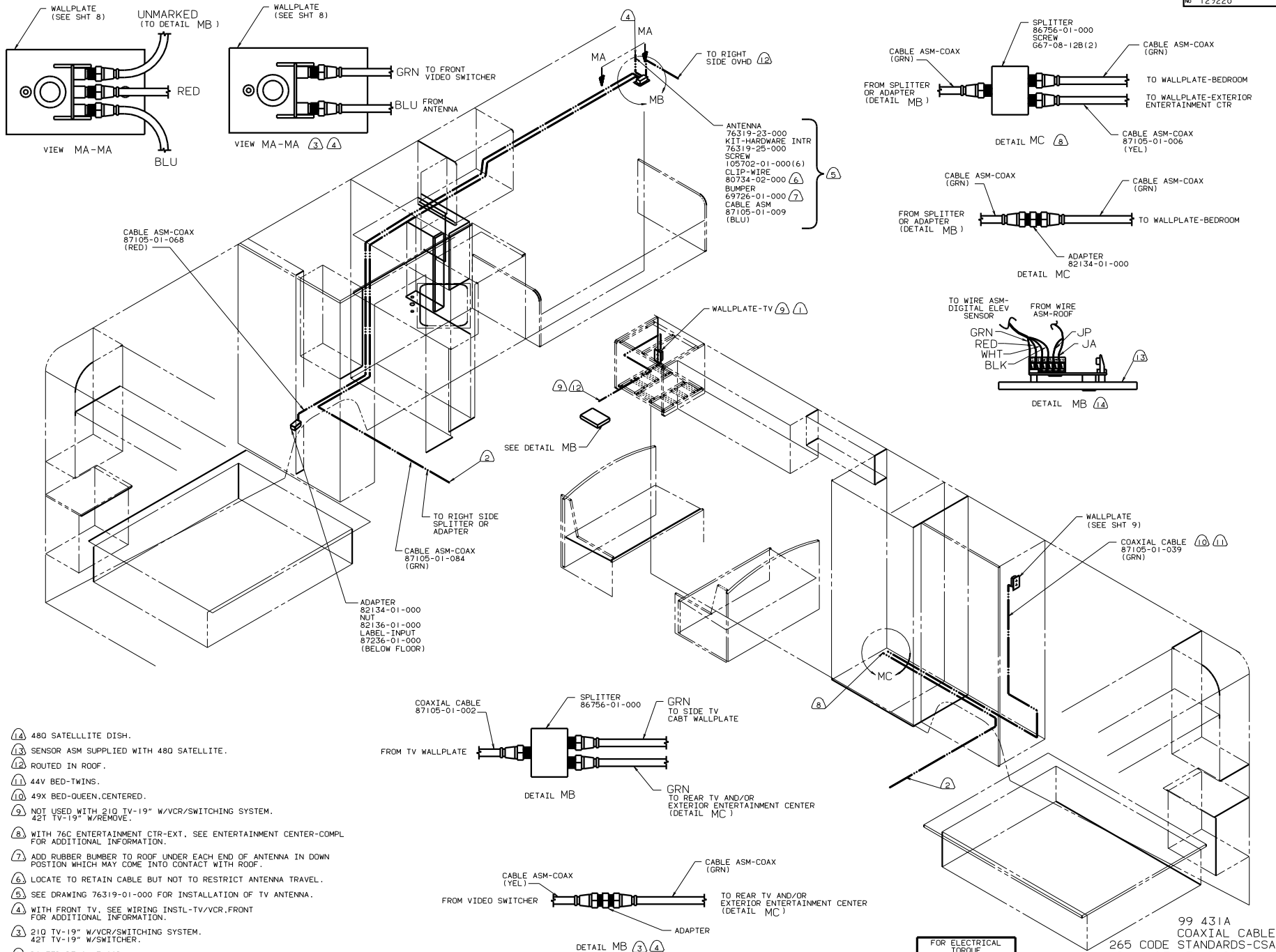
LAMP-FLOURESCENT
130338-01-CHT
SCREW
G11-08-12U (4)
CONNECTOR
58028-01-000 (2)

LSH-1

- NOTES:
- 3. SEE ROOF ASM FOR ADDITIONAL INFORMATION.
 - (2) 09D DELUXE UPGRADE PACKAGE (WINNEBAGO).
 - (1) ITASCA

99 431A

TITLE		WIRING INSTL-BODY(CLING LMP)	
NO. OF SHEETS	14	SHEET NO.	11
DATE		FILE NO.	129228

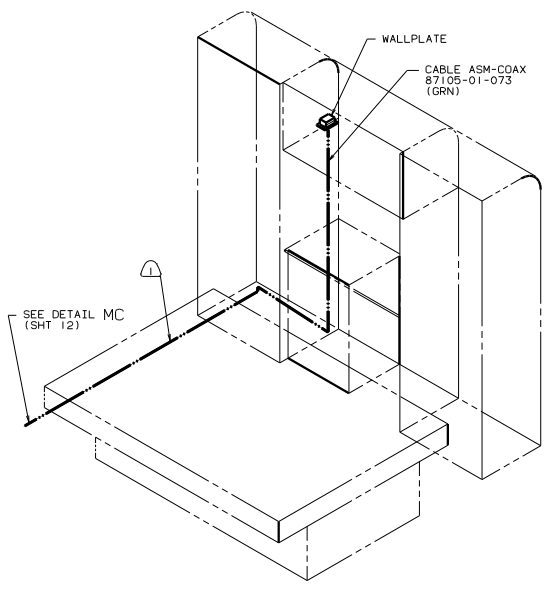


- (14) 480 SATELLITE DISH.
- (13) SENSOR ASM SUPPLIED WITH 480 SATELLITE.
- (12) ROUTED IN ROOF.
- (11) 44V BED-TWINS.
- (10) 49X BED-QUEEN, CENTERED.
- (9) NOT USED WITH 210 TV-19" W/VCR/SWITCHING SYSTEM. 42T TV-19" W/SWITCHER.
- (8) WITH 76C ENTERTAINMENT CTR-EXT. SEE ENTERTAINMENT CENTER-COMPL FOR ADDITIONAL INFORMATION.
- (7) ADD RUBBER BUMPER TO ROOF UNDER EACH END OF ANTENNA IN DOWN POSITION WHICH MAY COME INTO CONTACT WITH ROOF.
- (6) LOCATE TO RETAIN CABLE BUT NOT TO RESTRICT ANTENNA TRAVEL.
- (5) SEE DRAWING 76319-01-000 FOR INSTALLATION OF TV ANTENNA.
- (4) WITH FRONT TV. SEE WIRING INSTL-TV/VCR, FRONT FOR ADDITIONAL INFORMATION.
- (3) 210 TV-19" W/VCR/SWITCHING SYSTEM. 42T TV-19" W/SWITCHER.
- (2) ROUTED BELOW FLOOR.
- (1) WITH SIDE TV. SEE WIRING INSTL-TV/VCP SIDE FOR ADDITIONAL INFORMATION.

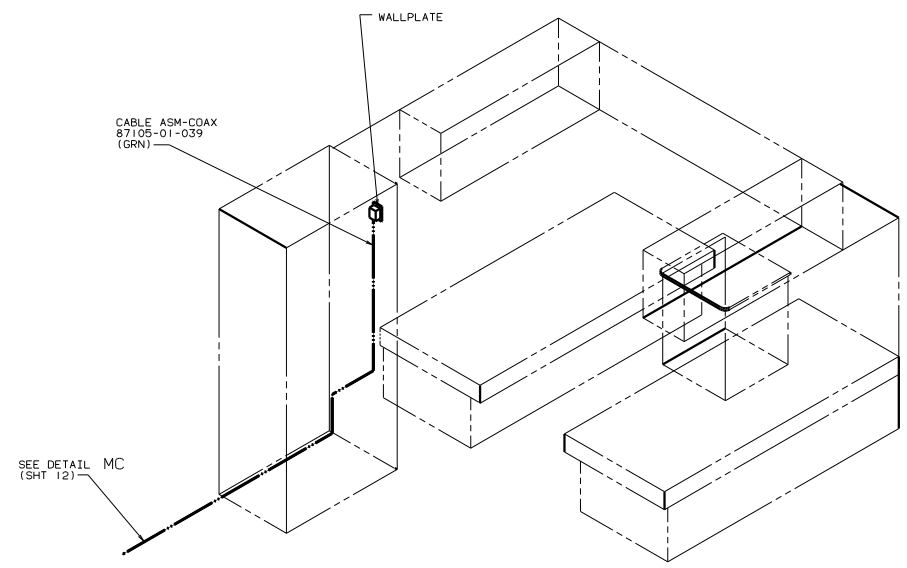
FOR ELECTRICAL TORQUE SPECIFICATIONS SEE DWG NO. 128783-01-000

99 431A
COAXIAL CABLE
265 CODE STANDARDS-CSA
IB1 CODE STANDARDS-USA

TITLE	WIRING INSTL-BODY(COAX)
NO. OF SHEETS	14
SHEET NO.	12
REV	1
DATE	129228



44V DOUBLE BED



45G TWIN BEDS

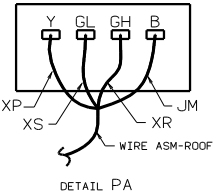
1 Routed thru floor.

NOTES:

FOR ELECTRICAL
TORQUE
SPECIFICATIONS
SEE DWG NO.
128783-01-000

99 431A
COAXIAL CABLE
265 CODE STANDARDS-CSA
IB1 CODE STANDARDS-USA

TITLE		129228	
WIRING INSTL-BODY(COAX BDRM)		FIG	NO
SHEET 13 OF 14		1E	NO



2 AIR CONDITIONER
131188-01-CHT
CEILING ASM
131184-01-CHT
(SEE DETAIL PA
FOR WIRING)

LAMP-MARKER, BASE
111102-01-000(5)
LAMP-MARKER, LENS, AMBER
111102-02-000(5)
SCREW
G11-08-12U(EXT) (10)

SATELLITE
120233-04-000

WIRE ASM-CLEARANCE, FRT
(IN ROOF)

LAMP-CENTER, BRAKE
121950-01-000
SCREW
(SUPPLIED W/LAMP)

WIRE ASM-SIDEWALL
WIRE ASM-
CLEARANCE, RR
(IN BACKWALL)

LAMP-MARKER, BASE
111102-01-000(5)
LAMP-MARKER, LENS, RED
111102-03-000(5)
SCREW
G11-08-12U(EXT) (10)

WIRE ASM-
SIDEWALL

TAIL LAMP ASM
81638-01-000(2)
SCREW
G67-10-129(16)
POD, TAIL LAMP
103355-02-CHT(2)
SCREW
78538-01-CHT(EXT) (4)
SEALER TAPE
69640-21-000(3,4)

BRACKET-LICENSE
66432-03-000
SCREW
G67-10-129(2)
LIGHT-LICENSE
66432-02-000
SCREW
G56-10-12U(EXT) (2)

5 WIRE ASM-
BACKWALL
CONNECTS TO
WIRE ASM-CHASSIS

WIRE ASM-CHASSIS

TO TRAILER
PLUG ASM

LAMP-MARKER, BASE
111102-01-000(2)
LAMP-MARKER, LENS, RED
111102-03-000(2)
SCREW
G11-08-12U(EXT) (4)

WIRE ASM-TAILLAMPS
(IN BACKWALL)

LAMP
97917-01-CHT
SCREW
G11-08-12T(2) } US
LAMP
8089-02-000
SCREW
G67-06-10T (EXT) (2) } 6, 7
SEAL
CONNECTOR
58028-01-000 (2)

LAMP-MARKER, BASE
111102-01-000(2)
LAMP-MARKER, LENS, AMBER
111102-02-000(2)
SCREW
G11-08-12U(EXT) (4)

ANTENNA-SHAFT EXTENDER
109889-04-000
BRACKET-ANTENNA GROUND
108847-01-000
ANTENNA
90944-01-000
SEAL
CABLE ANTENNA EXTENSION
77069-02-000 (2)

BRACKET-ANTENNA GROUND 4

WIRE GROUND
FROM ROOF ASM

VIEW PB-PB

- 8 265 CODE STANDARDS-CSA.
- 7 INSTALL WITH WIRES TOWARD ROOF.
- 6 CONNECT TO WIRE ASM-SIDEWALL
- 5 SECURE WIRE BELOW COACH WITH CLAMP 10495-01-000 & SCREW G67-10-12B.
- 4 WRAP BRACKET LEGS AROUND ANTENNA BASE.
- 3 76C ENTERTAINMENT CTR-EXT.
- 2 250 A/C ROOF-ONE 14,800.

1. CONNECTOR-PLUG, TRAILER 113589-01-000 TO BE SUPPLIED LOOSE IN COACH WITH TRAILER TOW PACKAGE.

FOR ELECTRICAL
TORQUE
SPECIFICATIONS
SEE DWG NO
128783-01-000

99 431A
EXTERIOR LIGHTING
265 CODE STANDARDS-CSA
1B1 CODE STANDARDS-USA

TITLE: WIRING INSTL-BODY(EX L)
SHEET 14 OF 14