



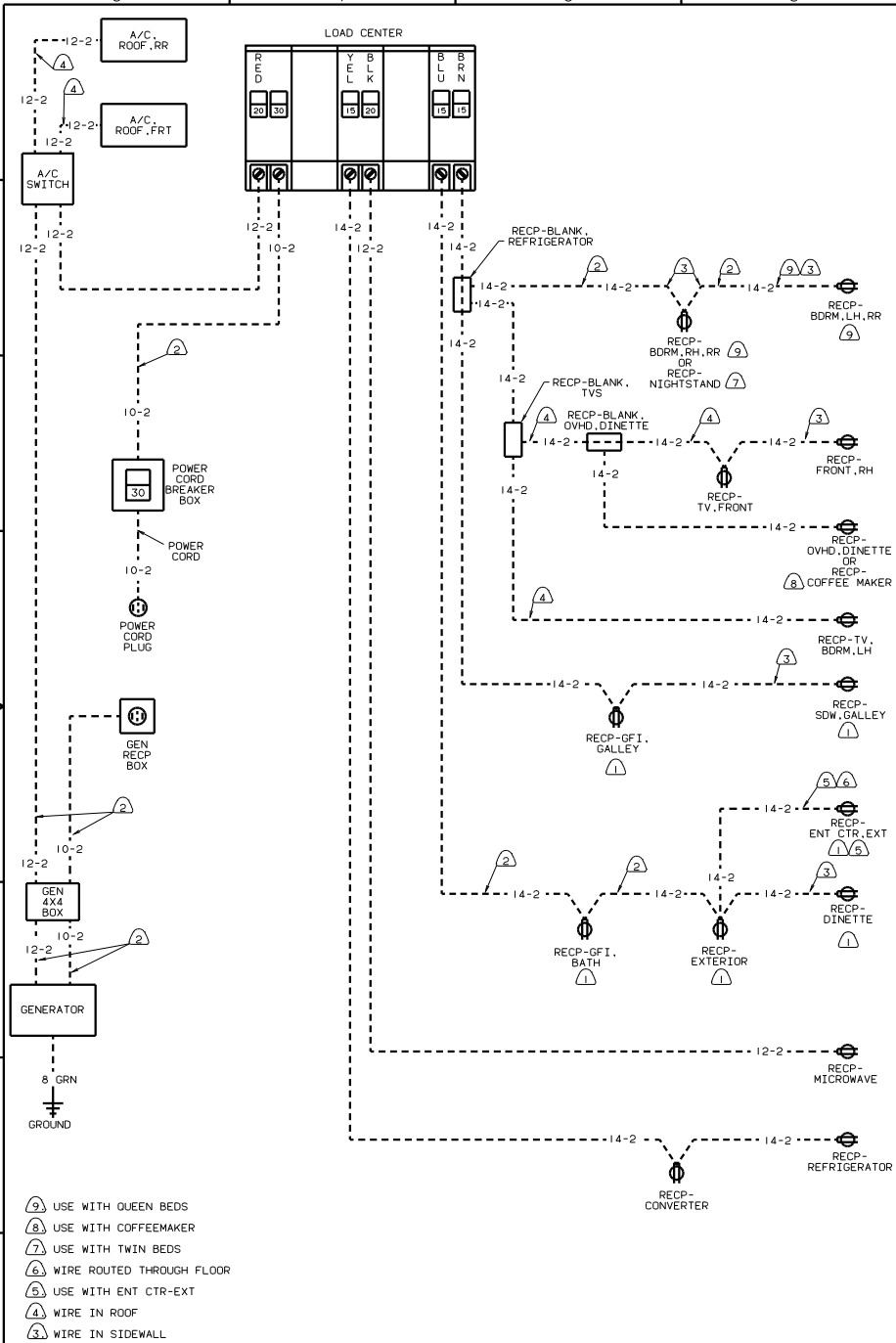
**DANGER**

**Danger of electrical shock, burns or death.** Always remove all power sources before attempting any repair, service or diagnostic work. Power can be present from shore power, generator, inverter or battery. All power sources must be disabled and secured before performing any service.

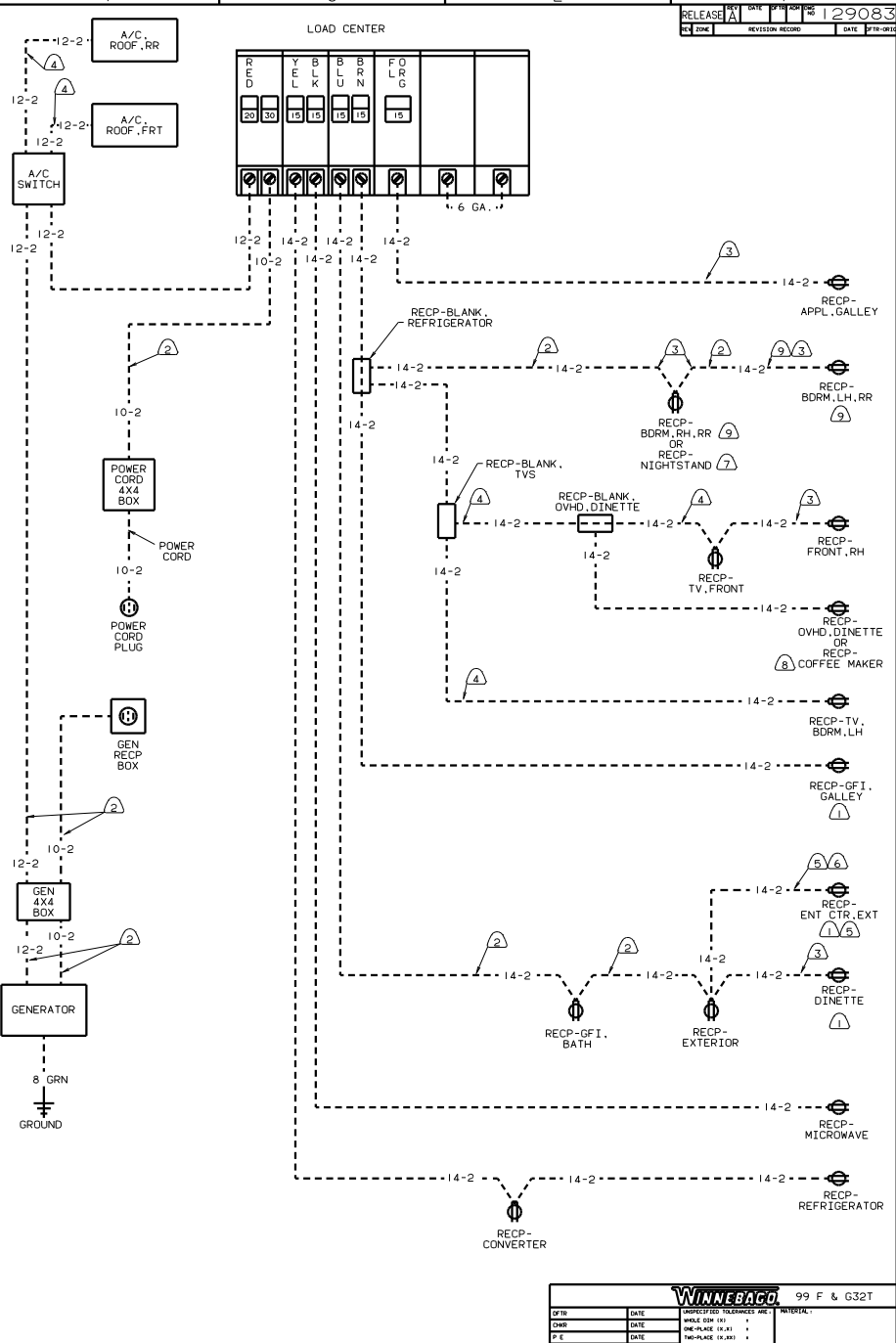


**CAUTION**

If you lack the skills, tools or equipment to perform diagnostic or repair work leave such work to an authorized Winnebago Industries dealer or other qualified shop.



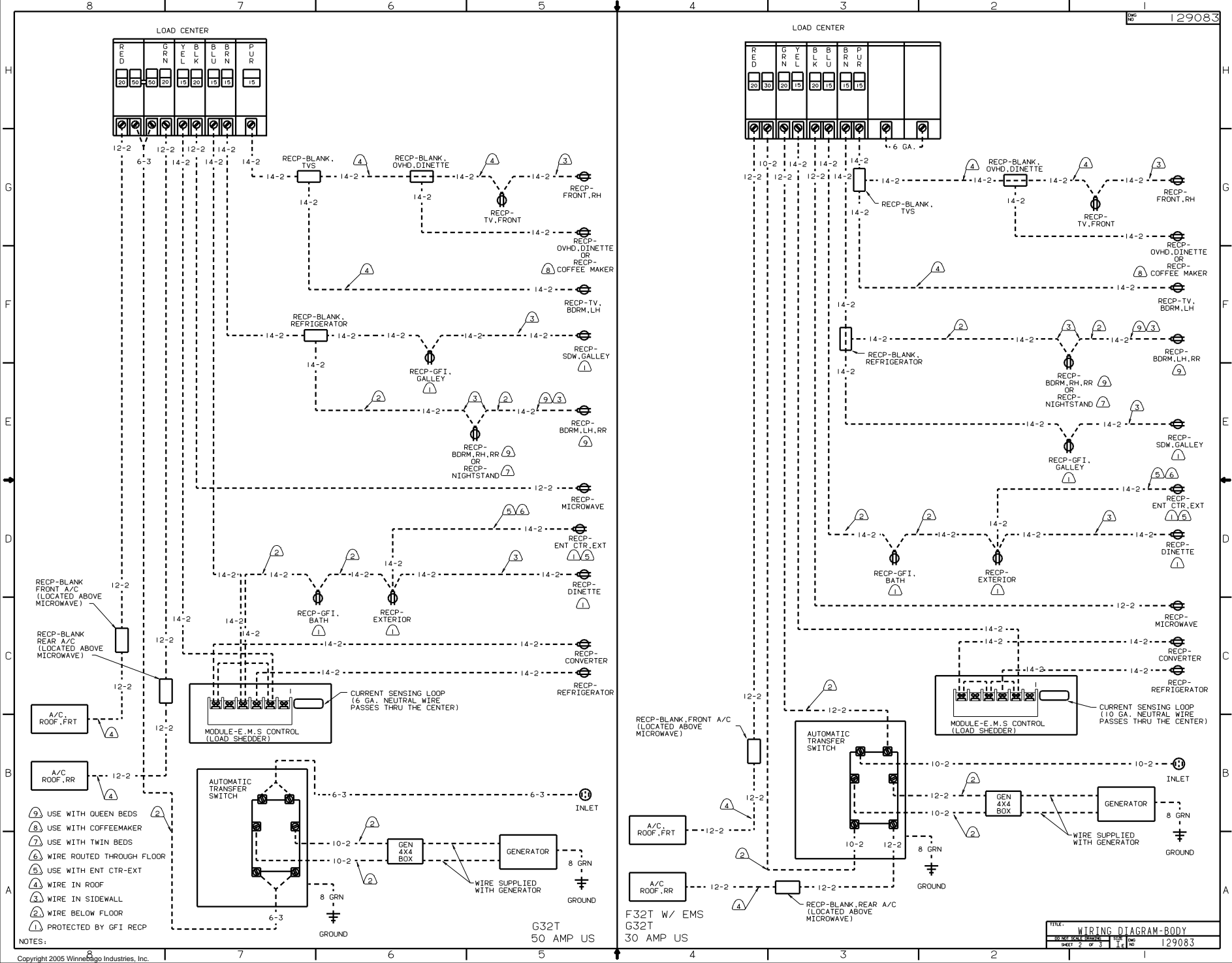
F32T W/O EMS  
 30 AMP US



F32T W/O EMS  
 30 AMP CAN

- (9) USE WITH QUEEN BEDS
- (8) USE WITH COFFEEMAKER
- (7) USE WITH TWIN BEDS
- (6) WIRE ROUTED THROUGH FLOOR
- (5) USE WITH ENT CTR-EXT
- (4) WIRE IN ROOF
- (3) WIRE IN SIDEWALL
- (2) WIRE BELOW FLOOR
- (1) PROTECTED BY GFI RECP

<b>WINNEBAGO</b>		99 F & G32T	
OF IN	DATE	UNSPECIFIED TOLERANCES ARE	MATERIAL
CHP	DATE	WHOLE OR 1/2	
D/E	DATE	ONE-PLACE (1/2)	
D/E	DATE	TWO-PLACE (1/2)	
D/E	DATE	ANGLE	
COMP	DATE	INDICATE WELD PROTECTION	
LAYOUT		TITLE	
BY		DRAWING	
SCALE		NOTE	
ALL DIMENSIONS ARE IN MILLIMETERS		SHEET 1 OF 3	
		129083	



LOAD CENTER

LOAD CENTER

RECP-BLANK FRONT A/C (LOCATED ABOVE MICROWAVE)

RECP-BLANK REAR A/C (LOCATED ABOVE MICROWAVE)

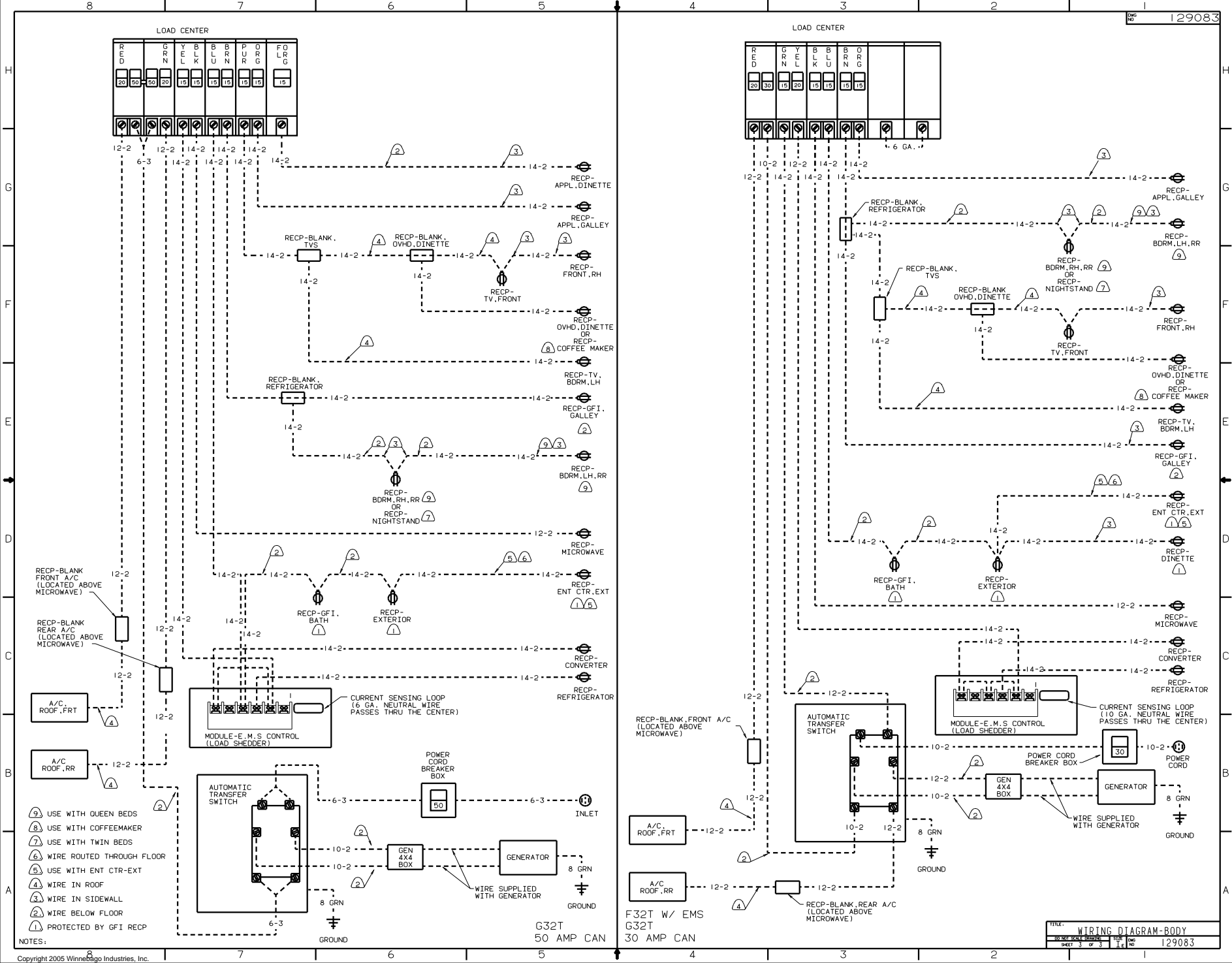
A/C ROOF, FRT

A/C ROOF, RR

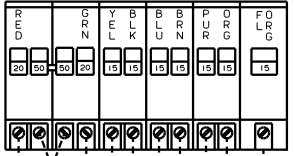
- 9 USE WITH QUEEN BEDS
- 8 USE WITH COFFEEMAKER
- 7 USE WITH TWIN BEDS
- 6 WIRE ROUTED THROUGH FLOOR
- 5 USE WITH ENT CTR-EXT
- 4 WIRE IN ROOF
- 3 WIRE IN SIDEWALL
- 2 WIRE BELOW FLOOR
- 1 PROTECTED BY GFI RECP

G32T  
50 AMP US

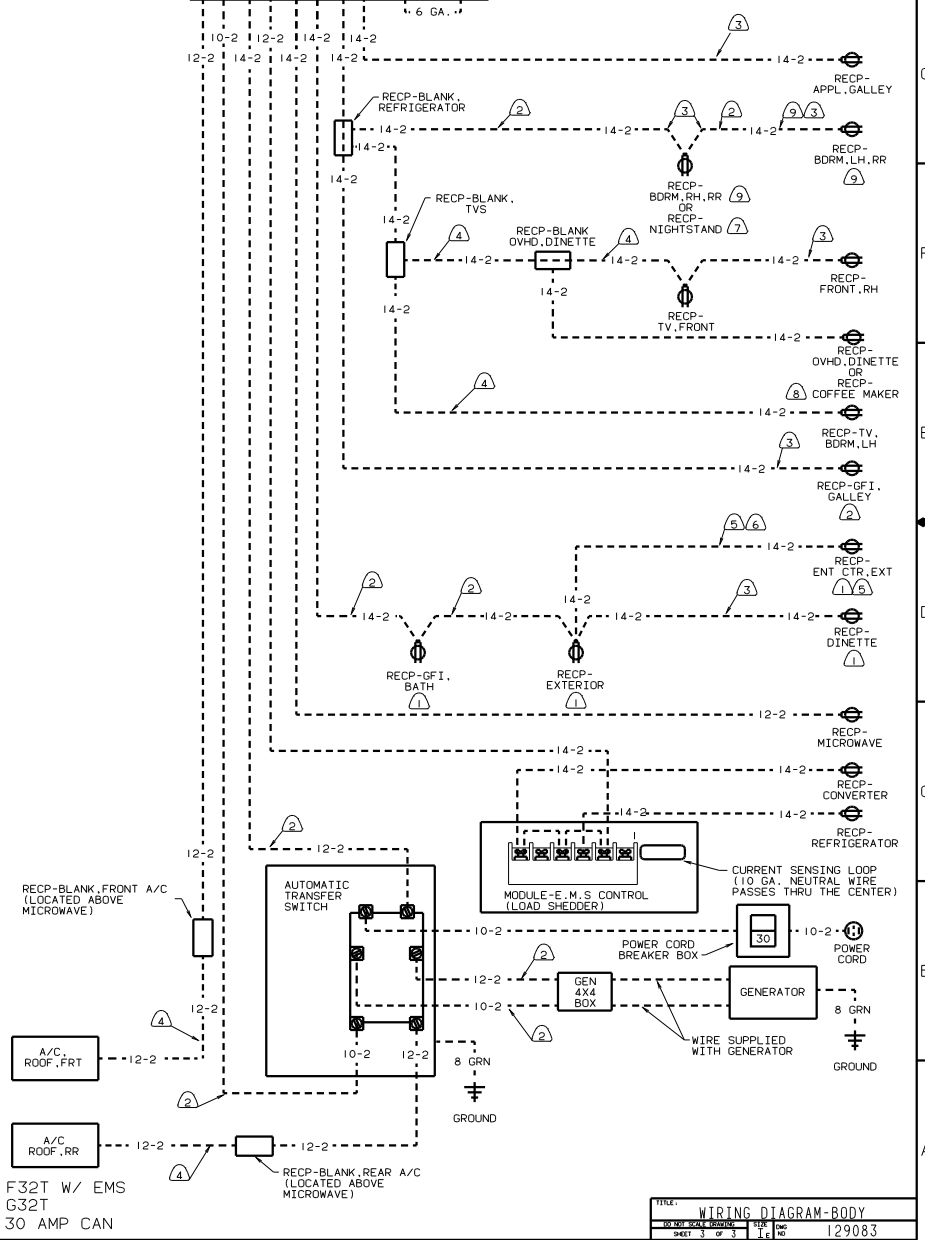
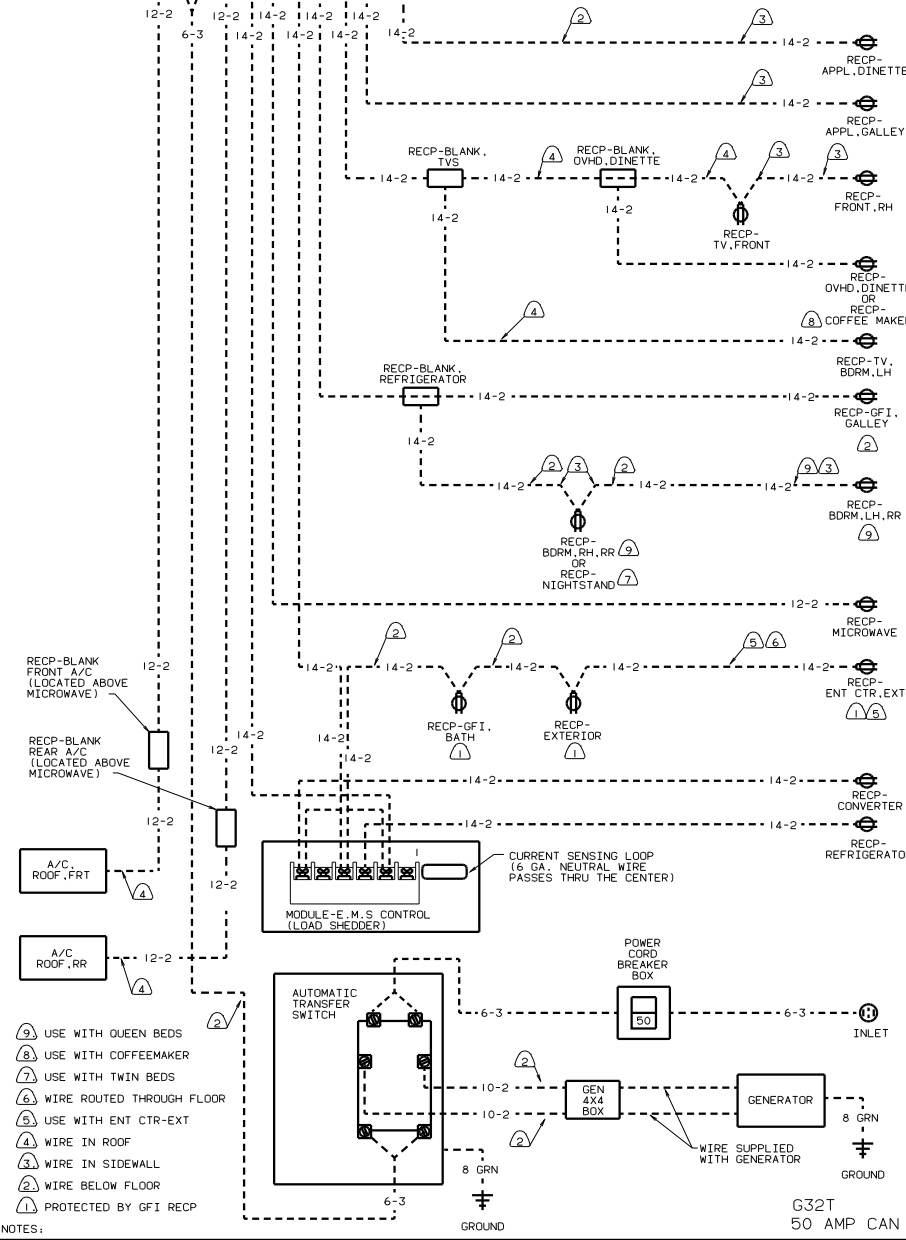
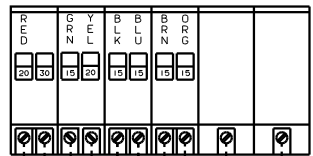
F32T W/ EMS  
30 AMP US



LOAD CENTER



LOAD CENTER



- NOTES:
- ⑨ USE WITH QUEEN BEDS
  - ⑧ USE WITH COFFEEMAKER
  - ⑦ USE WITH TWIN BEDS
  - ⑥ WIRE ROUTED THROUGH FLOOR
  - ⑤ USE WITH ENT CTR-EXT
  - ④ WIRE IN ROOF
  - ③ WIRE IN SIDEWALL
  - ② WIRE BELOW FLOOR
  - ① PROTECTED BY GFI RECP

G32T  
50 AMP CAN

F32T W/ EMS  
G32T  
30 AMP CAN