



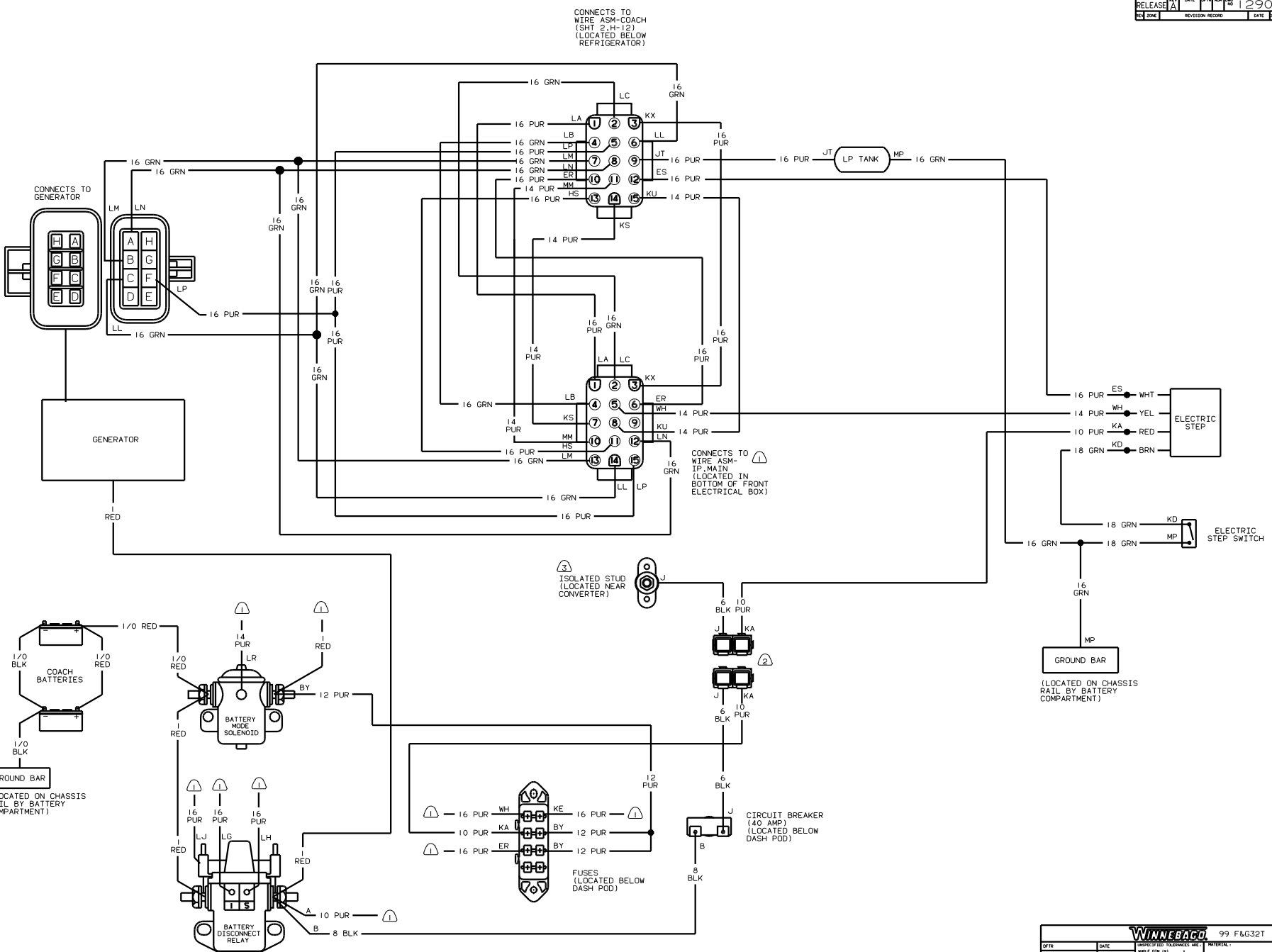
DANGER

Danger of electrical shock, burns or death. Always remove all power sources before attempting any repair, service or diagnostic work. Power can be present from shore power, generator, inverter or battery. All power sources must be disabled and secured before performing any service.



CAUTION

If you lack the skills, tools or equipment to perform diagnostic or repair work leave such work to an authorized Winnebago Industries dealer or other qualified shop.



CONNECTS TO WIRE ASM-COACH (SHT 2,H-12) (LOCATED BELOW REFRIGERATOR)

CONNECTS TO WIRE ASM-IP, MAIN (LOCATED IN BOTTOM OF FRONT ELECTRICAL BOX)

ISOLATED STUD (LOCATED NEAR CONVERTER)

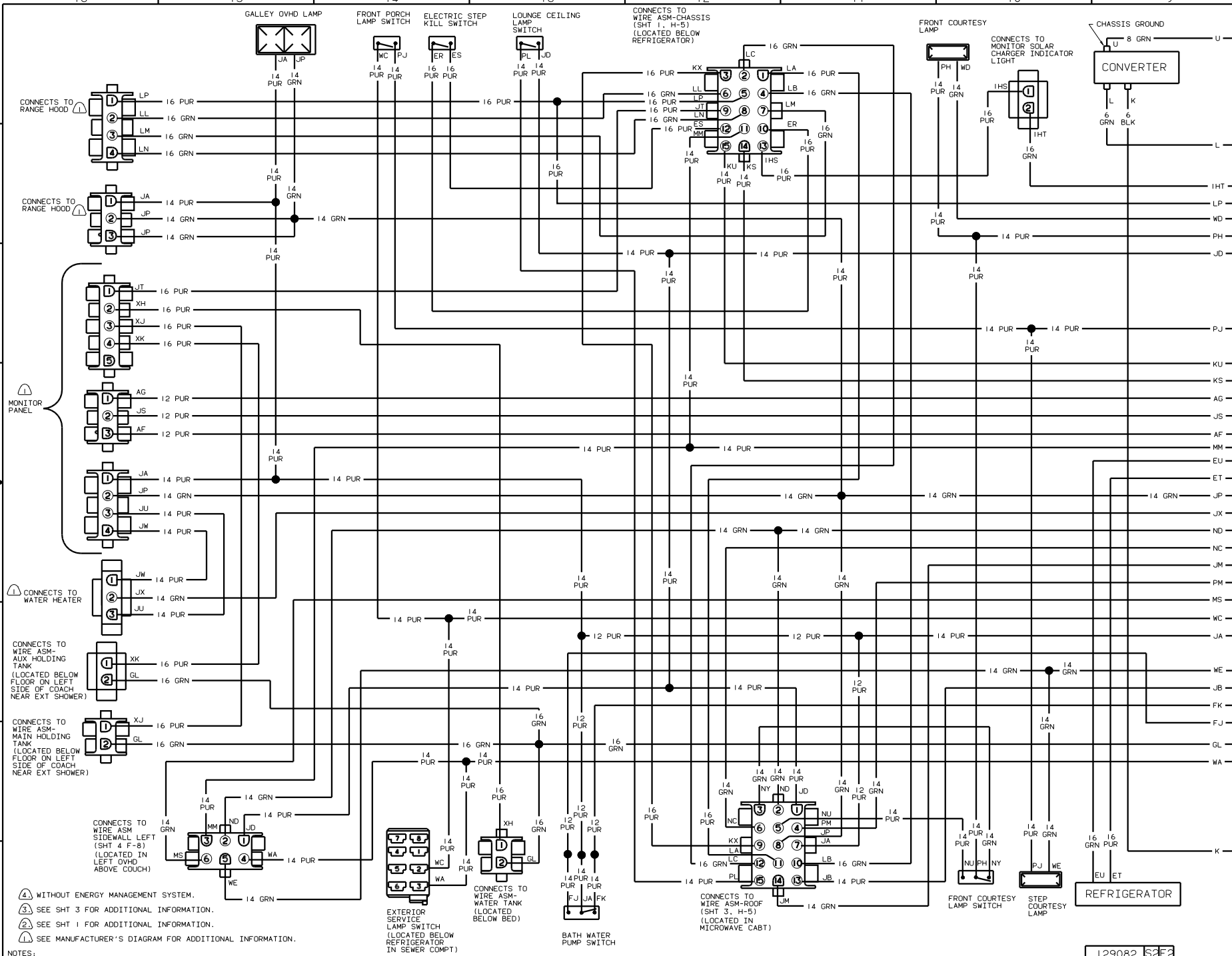
CIRCUIT BREAKER (40 AMP) (LOCATED BELOW DASH POD)

FUSES (LOCATED BELOW DASH POD)

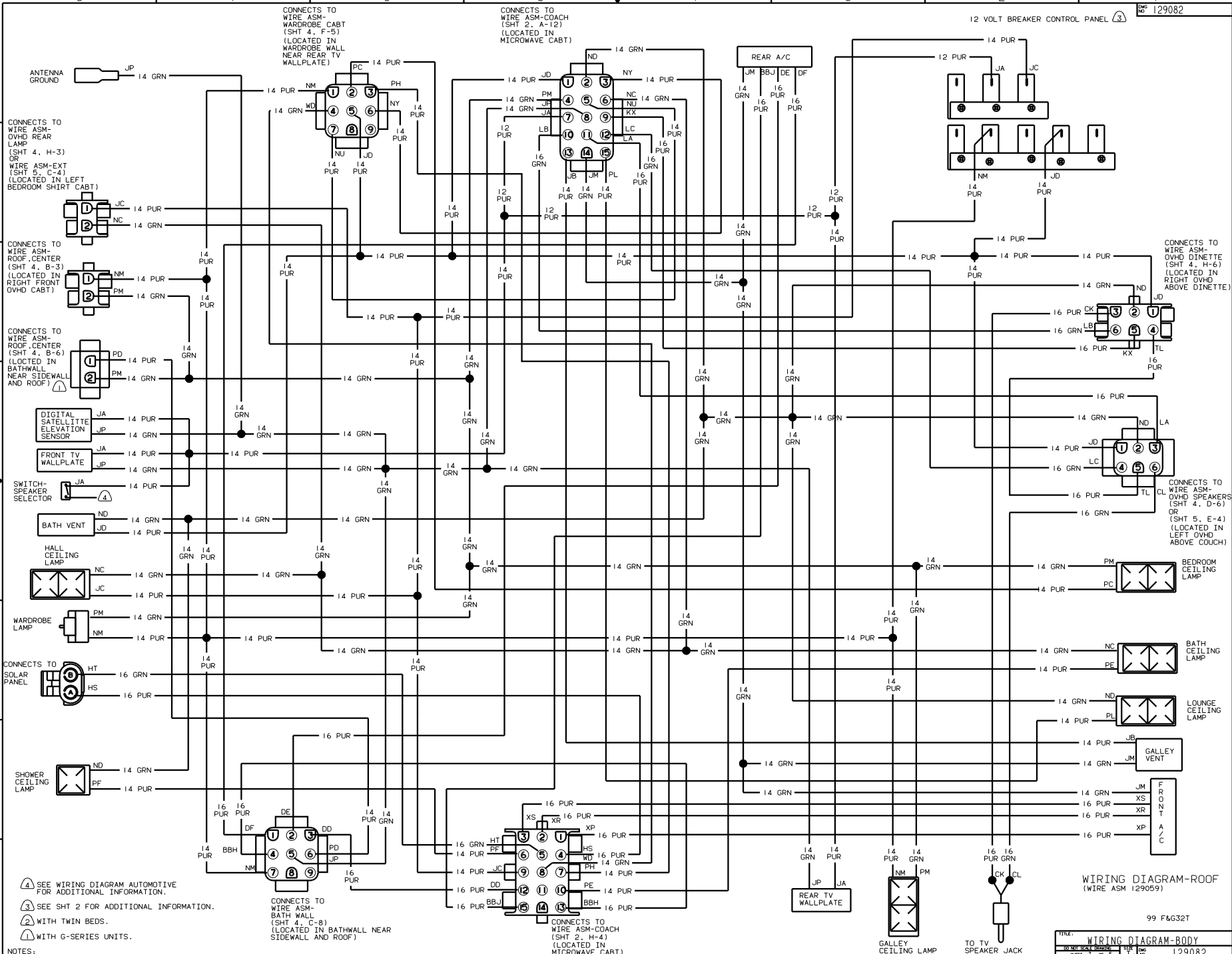
OF IN		DATE	UNSPECIFIED TOLERANCES ARE:	MATERIAL
CHP	DATE	WHOLE OR 1/2"	±	
PIE	DATE	ONE-PLACE (1/32)	±	
D/E	DATE	TWO-PLACE (1/64)	±	
DATE	DATE	THREE-PLACE (1/128)	±	
DATE	DATE	FOUR-PLACE (1/256)	±	
DATE	DATE	FIVE-PLACE (1/512)	±	
DATE	DATE	SIX-PLACE (1/1024)	±	
DATE	DATE	SEVEN-PLACE (1/2048)	±	
DATE	DATE	EIGHT-PLACE (1/4096)	±	
DATE	DATE	NINE-PLACE (1/8192)	±	
DATE	DATE	TEN-PLACE (1/16384)	±	
DATE	DATE	ELEVEN-PLACE (1/32768)	±	
DATE	DATE	TWELVE-PLACE (1/65536)	±	
DATE	DATE	THIRTEEN-PLACE (1/131072)	±	
DATE	DATE	FOURTEEN-PLACE (1/262144)	±	
DATE	DATE	FIFTEEN-PLACE (1/524288)	±	
DATE	DATE	SIXTEEN-PLACE (1/1048576)	±	
DATE	DATE	SEVENTEEN-PLACE (1/2097152)	±	
DATE	DATE	EIGHTEEN-PLACE (1/4194304)	±	
DATE	DATE	NINETEEN-PLACE (1/8388608)	±	
DATE	DATE	TWENTY-PLACE (1/16777216)	±	
DATE	DATE	TWENTY-ONE-PLACE (1/33554432)	±	
DATE	DATE	TWENTY-TWO-PLACE (1/67108864)	±	
DATE	DATE	TWENTY-THREE-PLACE (1/134217728)	±	
DATE	DATE	TWENTY-FOUR-PLACE (1/268435456)	±	
DATE	DATE	TWENTY-FIVE-PLACE (1/536870912)	±	
DATE	DATE	TWENTY-SIX-PLACE (1/1073741824)	±	
DATE	DATE	TWENTY-SEVEN-PLACE (1/2147483648)	±	
DATE	DATE	TWENTY-EIGHT-PLACE (1/4294967296)	±	
DATE	DATE	TWENTY-NINE-PLACE (1/8589934592)	±	
DATE	DATE	THIRTY-PLACE (1/17179869184)	±	
DATE	DATE	THIRTY-ONE-PLACE (1/34359738368)	±	
DATE	DATE	THIRTY-TWO-PLACE (1/68719476736)	±	
DATE	DATE	THIRTY-THREE-PLACE (1/137438953472)	±	
DATE	DATE	THIRTY-FOUR-PLACE (1/274877906944)	±	
DATE	DATE	THIRTY-FIVE-PLACE (1/549755813888)	±	
DATE	DATE	THIRTY-SIX-PLACE (1/1099511627776)	±	
DATE	DATE	THIRTY-SEVEN-PLACE (1/2199023255552)	±	
DATE	DATE	THIRTY-EIGHT-PLACE (1/4398046511104)	±	
DATE	DATE	THIRTY-NINE-PLACE (1/8796093022208)	±	
DATE	DATE	FOURTY-PLACE (1/17592186044416)	±	
DATE	DATE	FOURTY-ONE-PLACE (1/35184372088832)	±	
DATE	DATE	FOURTY-TWO-PLACE (1/70368744177664)	±	
DATE	DATE	FOURTY-THREE-PLACE (1/140737488355328)	±	
DATE	DATE	FOURTY-FOUR-PLACE (1/281474976710656)	±	
DATE	DATE	FOURTY-FIVE-PLACE (1/562949953421312)	±	
DATE	DATE	FOURTY-SIX-PLACE (1/1125899906842624)	±	
DATE	DATE	FOURTY-SEVEN-PLACE (1/2251799813685248)	±	
DATE	DATE	FOURTY-EIGHT-PLACE (1/4503599627370496)	±	
DATE	DATE	FOURTY-NINE-PLACE (1/9007199254740992)	±	
DATE	DATE	FIFTY-PLACE (1/18014398509481984)	±	
DATE	DATE	FIFTY-ONE-PLACE (1/36028797018963968)	±	
DATE	DATE	FIFTY-TWO-PLACE (1/72057594037927936)	±	
DATE	DATE	FIFTY-THREE-PLACE (1/144115188075855872)	±	
DATE	DATE	FIFTY-FOUR-PLACE (1/288230376151711744)	±	
DATE	DATE	FIFTY-FIVE-PLACE (1/576460752303423488)	±	
DATE	DATE	FIFTY-SIX-PLACE (1/1152921504606846976)	±	
DATE	DATE	FIFTY-SEVEN-PLACE (1/2305843009213693952)	±	
DATE	DATE	FIFTY-EIGHT-PLACE (1/4611686018427387904)	±	
DATE	DATE	FIFTY-NINE-PLACE (1/9223372036854775808)	±	
DATE	DATE	SIXTY-PLACE (1/18446744073709551616)	±	
DATE	DATE	SIXTY-ONE-PLACE (1/36893488147419103232)	±	
DATE	DATE	SIXTY-TWO-PLACE (1/73786976294838206464)	±	
DATE	DATE	SIXTY-THREE-PLACE (1/147573952589676412928)	±	
DATE	DATE	SIXTY-FOUR-PLACE (1/295147905179352825856)	±	
DATE	DATE	SIXTY-FIVE-PLACE (1/590295810358705651712)	±	
DATE	DATE	SIXTY-SIX-PLACE (1/1180591620717411303424)	±	
DATE	DATE	SIXTY-SEVEN-PLACE (1/2361183241434822606848)	±	
DATE	DATE	SIXTY-EIGHT-PLACE (1/4722366482869645213696)	±	
DATE	DATE	SIXTY-NINE-PLACE (1/9444732965739290427392)	±	
DATE	DATE	SEVENTY-PLACE (1/18889465931478580854784)	±	
DATE	DATE	SEVENTY-ONE-PLACE (1/37778931862957161709568)	±	
DATE	DATE	SEVENTY-TWO-PLACE (1/75557863725914323419136)	±	
DATE	DATE	SEVENTY-THREE-PLACE (1/151115727451828646838272)	±	
DATE	DATE	SEVENTY-FOUR-PLACE (1/302231454903657293676544)	±	
DATE	DATE	SEVENTY-FIVE-PLACE (1/604462909807314587353088)	±	
DATE	DATE	SEVENTY-SIX-PLACE (1/1208925819614629174706176)	±	
DATE	DATE	SEVENTY-SEVEN-PLACE (1/2417851639229258349412352)	±	
DATE	DATE	SEVENTY-EIGHT-PLACE (1/4835703278458516698824704)	±	
DATE	DATE	SEVENTY-NINE-PLACE (1/9671406556917033397649408)	±	
DATE	DATE	EIGHTY-PLACE (1/19342813113834066795298816)	±	
DATE	DATE	EIGHTY-ONE-PLACE (1/38685626227668133590597632)	±	
DATE	DATE	EIGHTY-TWO-PLACE (1/77371252455336267181195264)	±	
DATE	DATE	EIGHTY-THREE-PLACE (1/154742504910672534362390528)	±	
DATE	DATE	EIGHTY-FOUR-PLACE (1/309485009821345068724781056)	±	
DATE	DATE	EIGHTY-FIVE-PLACE (1/618970019642690137449562112)	±	
DATE	DATE	EIGHTY-SIX-PLACE (1/1237940039285380274899124224)	±	
DATE	DATE	EIGHTY-SEVEN-PLACE (1/2475880078570760549798248448)	±	
DATE	DATE	EIGHTY-EIGHT-PLACE (1/4951760157141521099596488896)	±	
DATE	DATE	EIGHTY-NINE-PLACE (1/9903520314283042199192977792)	±	
DATE	DATE	NINETY-PLACE (1/19807040628566084398385955936)	±	
DATE	DATE	NINETY-ONE-PLACE (1/39614081257132168796771911872)	±	
DATE	DATE	NINETY-TWO-PLACE (1/79228162514264337593543823744)	±	
DATE	DATE	NINETY-THREE-PLACE (1/158456325028528675187087647488)	±	
DATE	DATE	NINETY-FOUR-PLACE (1/316912650057057350374175294976)	±	
DATE	DATE	NINETY-FIVE-PLACE (1/633825300114114700748350589952)	±	
DATE	DATE	NINETY-SIX-PLACE (1/1267650600228229401496701179904)	±	
DATE	DATE	NINETY-SEVEN-PLACE (1/2535301200456458802993402359808)	±	
DATE	DATE	NINETY-EIGHT-PLACE (1/5070602400912917605986804719616)	±	
DATE	DATE	NINETY-NINE-PLACE (1/10141204801825835211973609439232)	±	
DATE	DATE	HUNDRED-PLACE (1/20282409603651670423947218878464)	±	

WIRING DIAGRAM-CHASSIS (WIRE ASM 127255)

- ③ SEE SHT 2 FOR ADDITIONAL INFORMATION.
- ② CONNECTION MADE IN FRONT ELECTRICAL BOX.
- ① SEE WIRING DIAGRAM-AUTO FOR ADDITIONAL INFORMATION.



- ⚠ WITHOUT ENERGY MANAGEMENT SYSTEM.
- ③ SEE SHT 3 FOR ADDITIONAL INFORMATION.
- ② SEE SHT 1 FOR ADDITIONAL INFORMATION.
- ⚠ SEE MANUFACTURER'S DIAGRAM FOR ADDITIONAL INFORMATION.



⚠ SEE WIRING DIAGRAM AUTOMOTIVE FOR ADDITIONAL INFORMATION.
 Ⓜ SEE SHT 2 FOR ADDITIONAL INFORMATION.
 Ⓜ WITH TWIN BEDS.
 Ⓜ WITH G-SERIES UNITS.

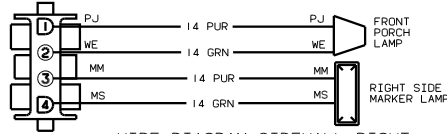
WIRING DIAGRAM-ROOF (WIRE ASM 129059)

99 F&G32T

TITLE:	WIRING DIAGRAM-BODY
NO. OF SHEETS:	5
SHEET NO.:	1
REV. NO.:	1
REV. DATE:	

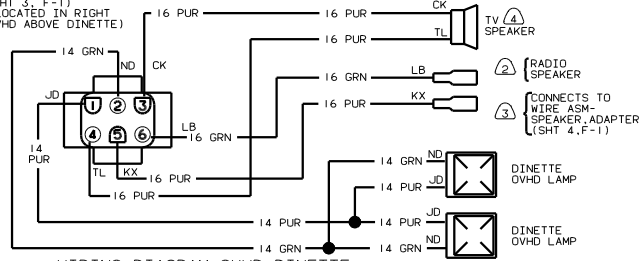
129082

CONNECTS TO WIRE ASM-COACH (SHT 2, B-1) (LOCATED IN OVHD ABOVE DINETTE TABLE)



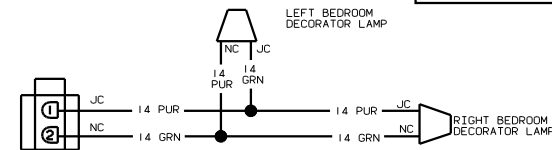
WIRE DIAGRAM SIDEWALL, RIGHT
(WIRE ASM 127256-01)

CONNECTS TO WIRE ASM-ROOF (SHT 3, F-1) (LOCATED IN RIGHT OVHD ABOVE DINETTE)



WIRING DIAGRAM OVHD DINETTE
(WIRE ASM 129057-01)

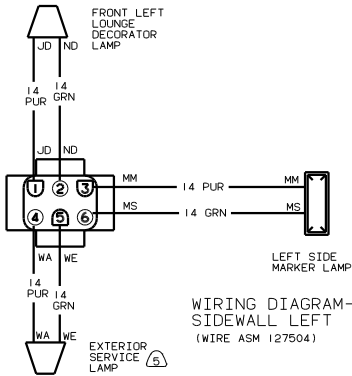
REF 129082



CONNECTS TO CONNECTING WIRE ASM-ROOF (SHT 3, G-8) OR (WIRE ASM-EXT (SHT 5, C-4) (LOCATED IN REAR BEDROOM OVHD CABT))

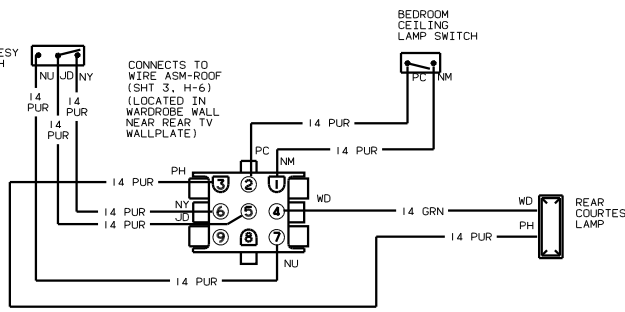
WIRING DIAGRAM OVHD
(WIRE ASM 125266-03)

CONNECTS TO WIRE ASM-COACH (SHT 2, A-15) (LOCATED IN LEFT OVHD ABOVE COUCH)



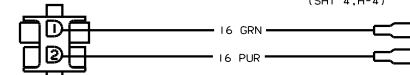
WIRING DIAGRAM-SIDEWALL LEFT
(WIRE ASM 127504)

CONNECTS TO WIRE ASM-ROOF (SHT 3, H-6) (LOCATED IN WARDROBE WALL NEAR REAR TV WALLPLATE)



WIRING DIAGRAM WARDROBE CABT
(WIRE ASM 123010-02)

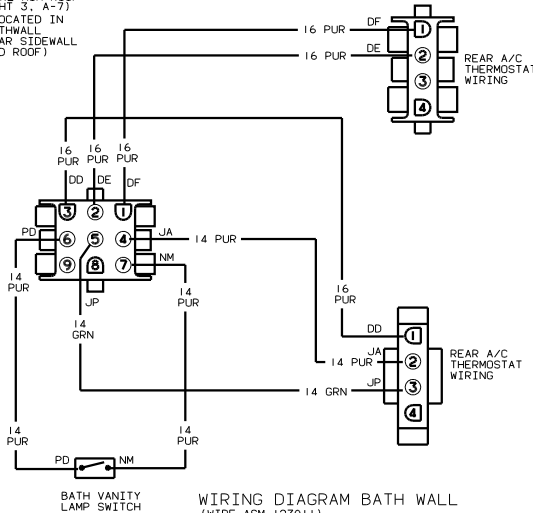
CONNECTS TO SPEAKER (LOCATED IN FRONT OVHDS)



WIRING DIAGRAM-SPEAKER, ADAPTER
(WIRE ASM-124843-05)

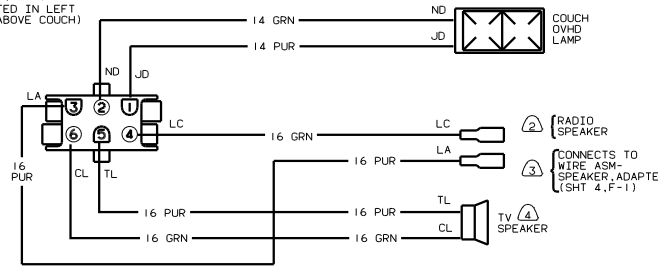
CONNECTS TO WIRE ASM-OVHD SPEAKERS (SHT 4, C-4) OR WIRE ASM-OVHD DINETTE (SHT 4, H-4)

CONNECTS TO WIRE ASM-ROOF (SHT 3, A-7) (LOCATED IN BATHWALL NEAR SIDEWALL AND ROOF)



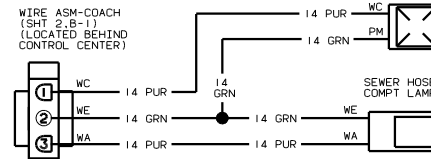
WIRING DIAGRAM BATH WALL
(WIRE ASM 123011)

CONNECTS TO WIRE ASM-ROOF (SHT 3, E-1) (LOCATED IN LEFT OVHD ABOVE COUCH)



WIRING DIAGRAM OVHD SPEAKERS
(WIRE ASM 123008-02)

WIRE ASM-COACH (SHT 2, B-1) (LOCATED BEHIND CONTROL CENTER)

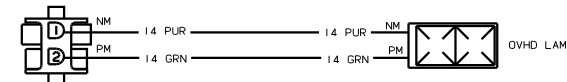


WIRING DIAGRAM-COMPT LAMPS
(WIRE ASM 127793-02)



WIRING DIAGRAM ROOF, CENTER
(WIRE ASM 77093-04)

CONNECTS TO WIRE ASM-ROOF (SHT 3, F-8) (LOCATED IN BATH WALL NEAR SIDEWALL AND ROOF)

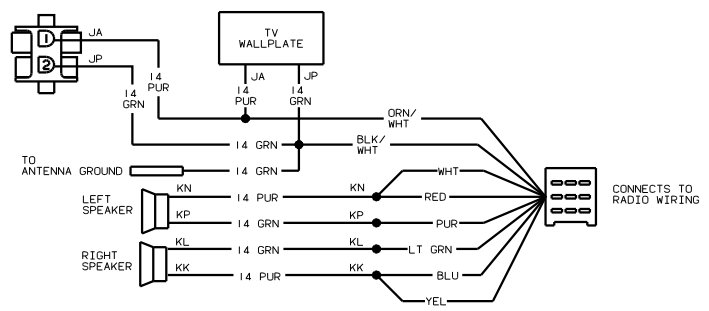


WIRING DIAGRAM ROOF, CENTER
(WIRE ASM 77093-14)

- ⑦ WITH TWIN BEDS.
- ⑥ WITH COMFORT & CONV PKG.
- ⑤ WITH G-SERIES UNITS.
- ④ NOT USED WITH DELUXE SOUND.
- ③ WITH DELUXE SOUND.
- ② WITHOUT DELUXE SOUND.
- ① SEE WIRING DIAGRAM-AUTO FOR ADDITIONAL INFORMATION.

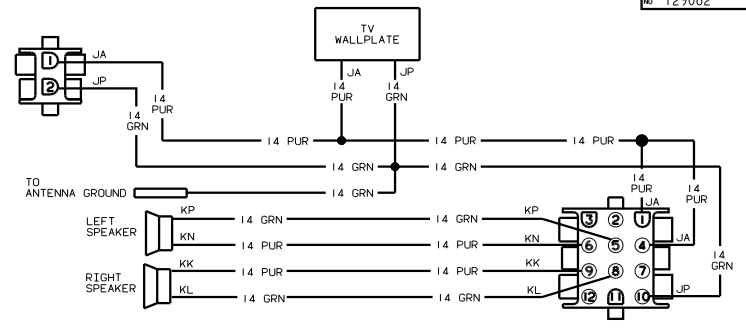
99 F&G32T

CONNECTS TO WIRE ASM COACH (SHT 2,C-1) (LOCATED BELOW FRONT DINETTE SEAT)

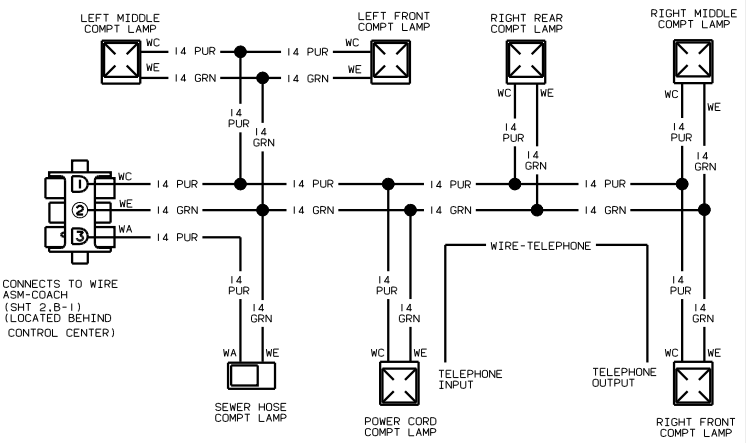


WIRING DIAGRAM ENTERTAINMENT CENTER (WIRE ASM-125853-01) (WITH EXTERIOR ENTERTAINMENT CENTER/CASSETTE)

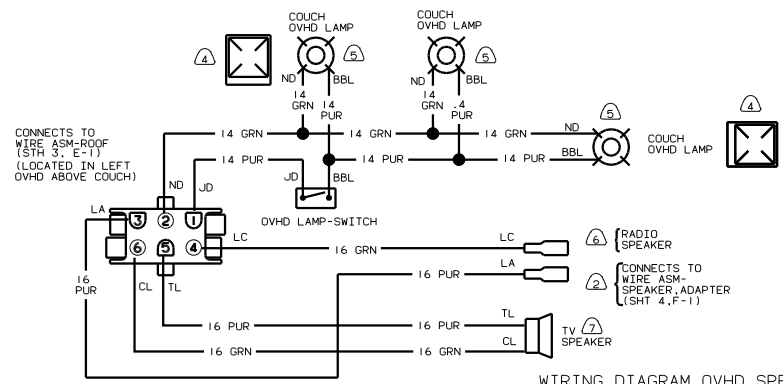
CONNECTS TO WIRE ASM COACH (SHT 2,C-1) (LOCATED BELOW FRONT DINETTE SEAT)



WIRING DIAGRAM ENTERTAINMENT CENTER (WIRE ASM-125853-04) (WITH EXTERIOR ENTERTAINMENT CENTER/COMPACT DISC)

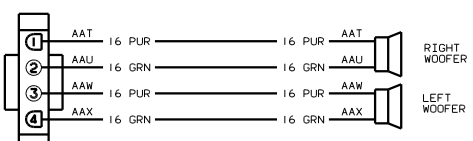


WIRING DIAGRAM-COMPT LAMPS (ROUTED IN FLOOR) (WIRE ASM 129513)



WIRING DIAGRAM OVHD SPEAKERS (WIRE ASM 129834)

CONNECTS TO WIRE ASM-AMPLIFIER

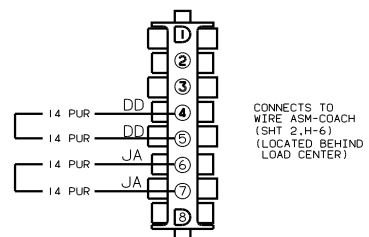


WIRING DIAGRAM-SPEAKER, DELUXE EXTENSION (WIRE ASM-125898-02-000)

CONNECTS TO WIRE ASM-ROOF (SHT 3, G-8) (LOCATED IN REAR OVHD LEFT SIDE)



WIRING DIAGRAM OVHD, REAR EXTENSION (WIRE ASM 130858)



WIRING DIAGRAM-JUMPER (WIRE ASM-130106)

- (9) WITH TWIN BEDS.
- (8) WITHOUT ENERGY MANAGEMENT SYSTEM.
- (7) NOT USED WITH DELUXE SOUND.
- (6) WITHOUT DELUXE SOUND.
- (5) WITH COMFORT & CONVENIENCE PACKAGE.
- (4) WITH F-SERIES.
- (3) WITH G-SERIES.
- (2) WITH DELUXE SOUND.
- (1) SEE WIRING DIAGRAM-AUTO FOR ADDITIONAL INFORMATION.