



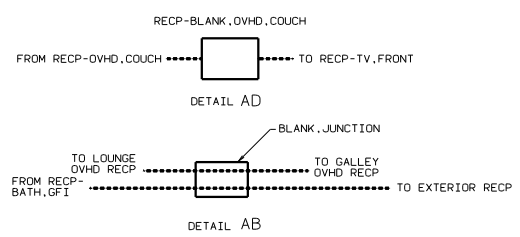
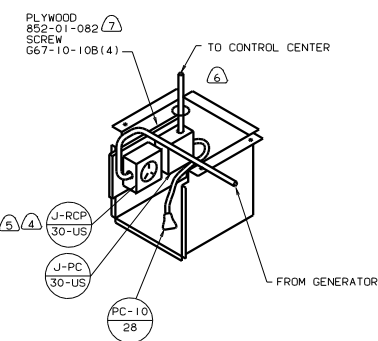
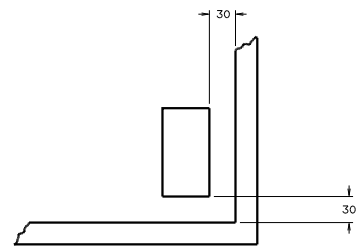
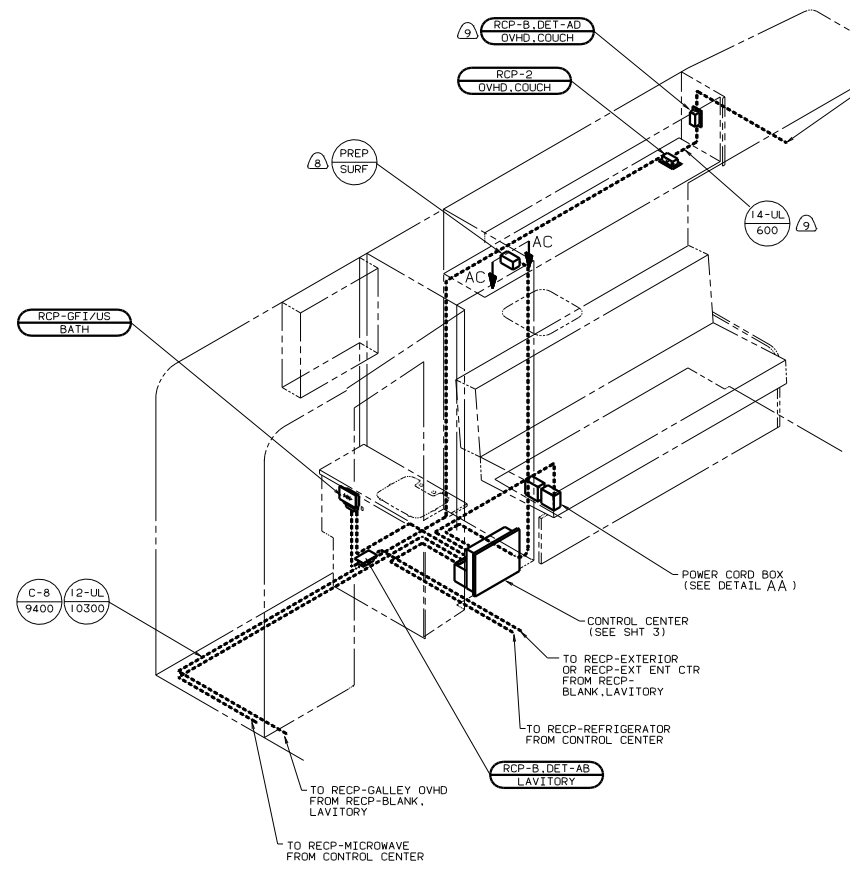
DANGER

Danger of electrical shock, burns or death. Always remove all power sources before attempting any repair, service or diagnostic work. Power can be present from shore power, generator, inverter or battery. All power sources must be disabled and secured before performing any service.



CAUTION

If you lack the skills, tools or equipment to perform diagnostic or repair work leave such work to an authorized Winnebago Industries dealer or other qualified shop.



FOR ELECTRICAL TDRULE SPECIFICATIONS SEE DWG NO. 128783-01-000

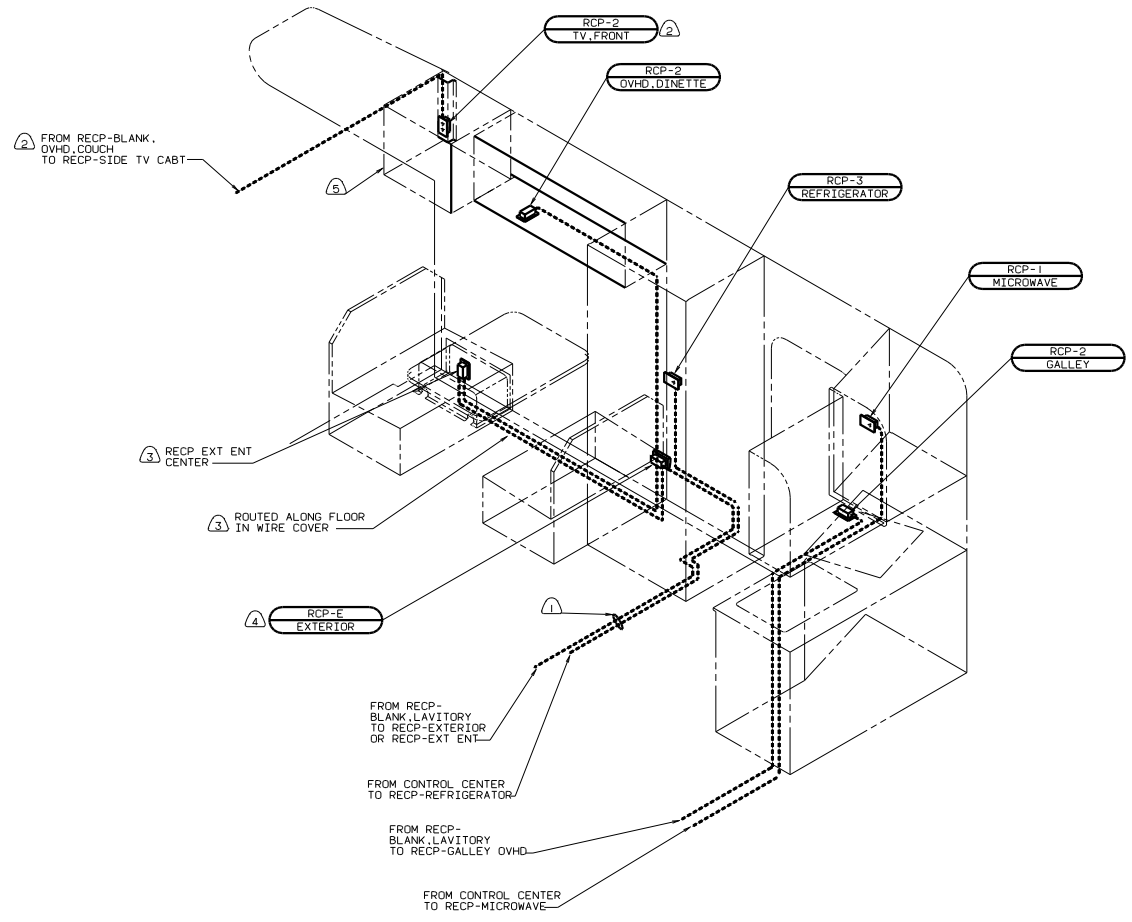
FOR ELECTRICAL CALLOUTS SEE DWG NO. 121339-01-000

- NOTES:
- (9) NOT USED WITH 78A TV-12V 13" COLOR TV, 12V VCR.
 - (8) NOT USED WITH 29D A/C ROOF-ONE 13,500.
 - (7) PAINT EXPOSED SURFACES BLACK WITH 106112-01-000.
 - (6) SEAL WITH BEDDING COMPOUND 69639-01-000.
 - (5) INSTALL RECP WITH GROUND TOWARD OUTBOARD SIDE OF VEHICLE.
 - (4) 40 GEN-4, 0KW ONAN GAS
3. ALL GROUND WIRES TO BE COVERED WITH TUBING 8041-02-000.
2. ALL 110V WIRES ARE TO BE CLAMPED WITH CLAMP 10497-05-000 WITHIN 200 OF OUTLET BOXES, USE SCREW 667-10-12B.
1. ALL WIRES TO BE CLAMPED WITH CLAMP 10495-01-000 OR CLIP 80734-01-000 EVERY 1200, USE SCREW 667-10-12B UNLESS OTHERWISE SPECIFIED.

WINNEBAGO 99 322E

| | | |
|------|----------------------------|----------|
| DATE | UNDESIGNED TOLERANCES ARE: | MATERIAL |
| DATE | WHOLE DIM 1/16" | |
| DATE | ONE-PLACE 1/32" | |
| DATE | TWO-PLACE 1/64" | |
| DATE | THREE-PLACE 1/128" | |
| DATE | FOUR-PLACE 1/256" | |
| DATE | ANGLE | |
| DATE | THRU HOLE PROJECTION | |
| DATE | | |

WIRING INSTL-BODY (110130US)
 SHEET 1 OF 10
 REF: 126215-F 1



- 5) SEE WIRING INSTL-TV/VCR, SIDE FOR ADDITIONAL INFORMATION.
- 4) NOT USED WITH 76C ENTERTAINMENT CENTER-EXTERIOR.
- 3) WITH EXTERIOR ENTERTAINMENT CENTER ONLY. (FEATURE 76C).
- 2) NOT USE WITH SIDE TV/VCR. (FEATURE 78A).
- 1) WIRE ROUTED THRU MAIN FLOOR.

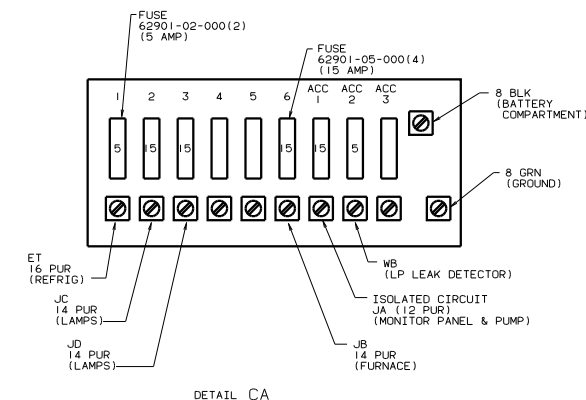
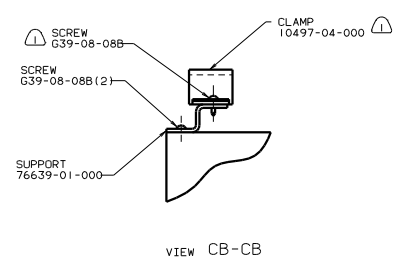
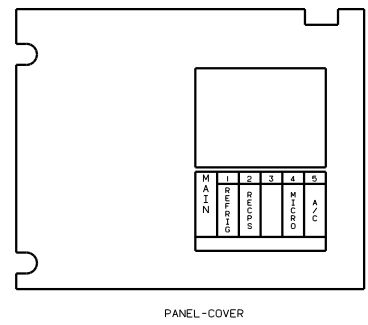
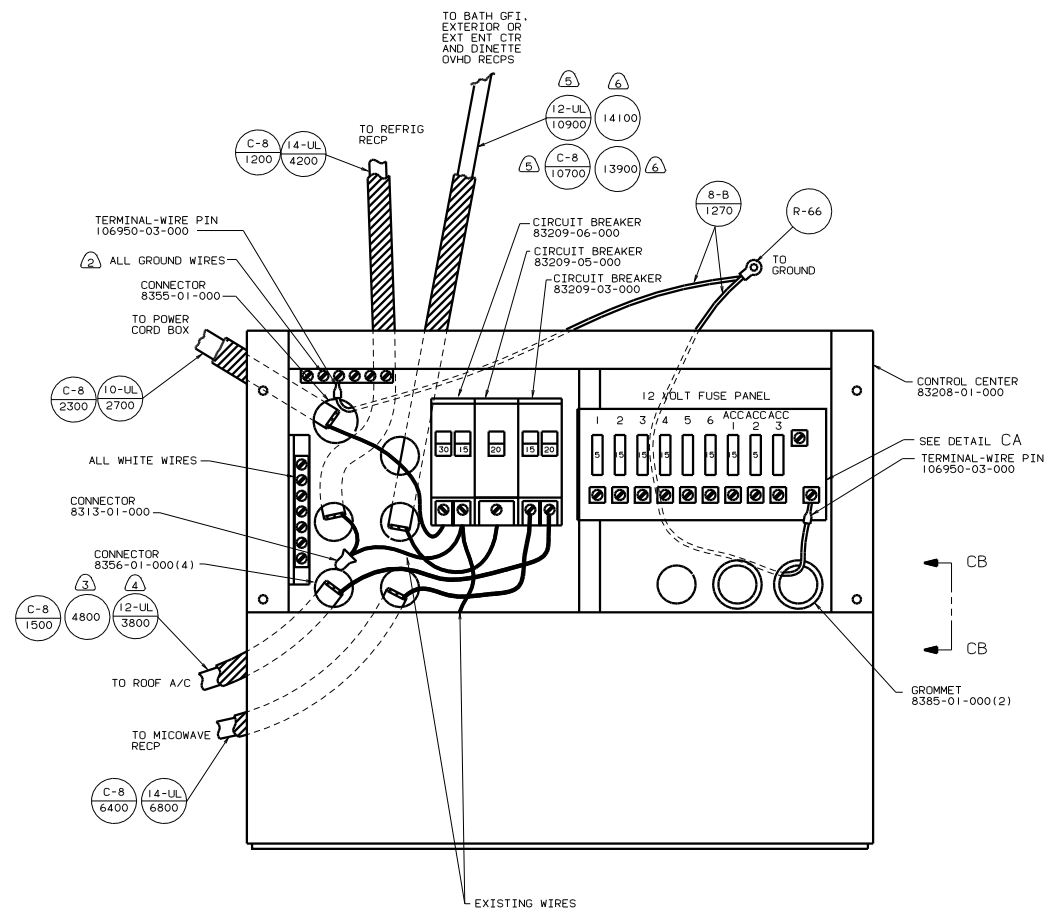
NOTES:

FOR ELECTRICAL TORQUE SPECIFICATIONS SEE DWG NO. 128783-01-000

FOR ELECTRICAL CALLOUTS SEE DWG NO. 121339-01-000

99 322E

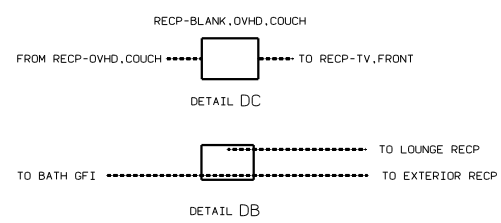
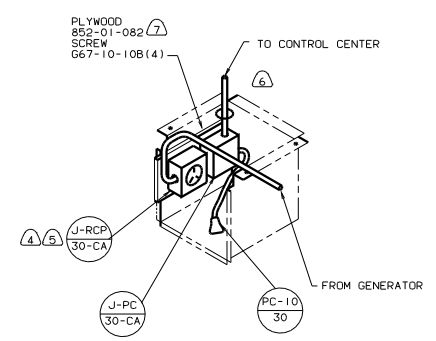
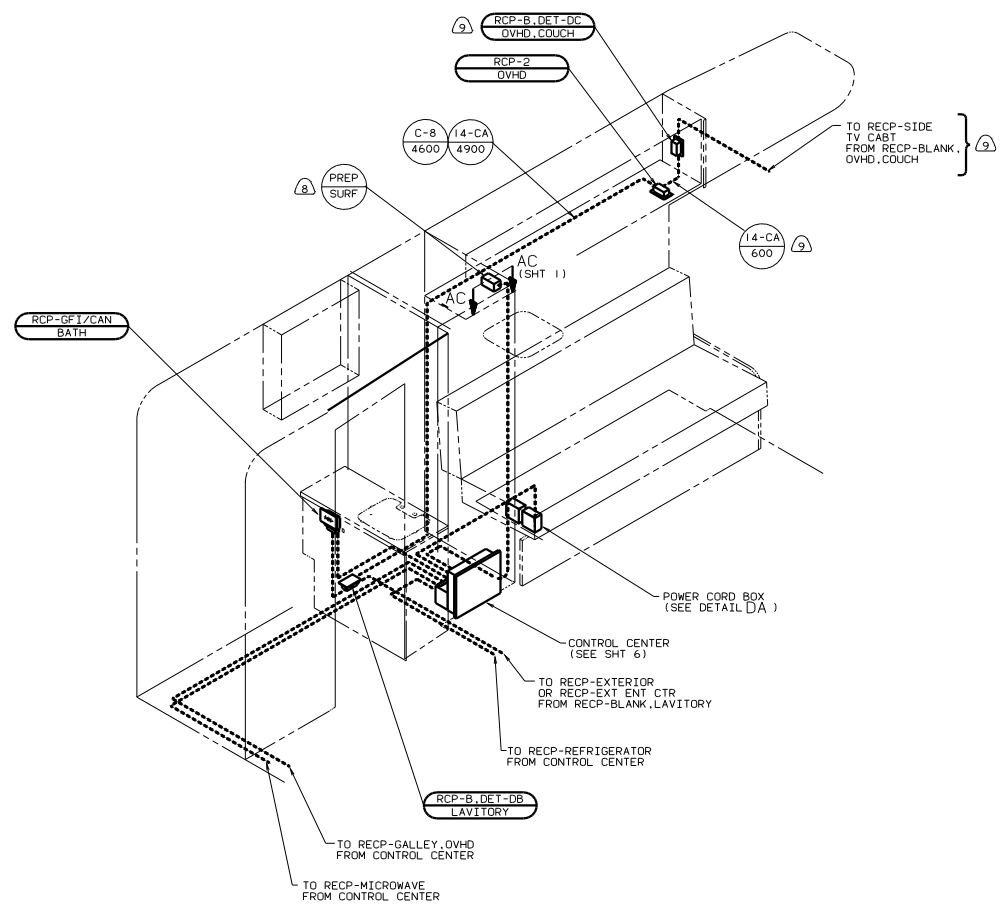
| | | | |
|-----------------------------|--------------|--------|------|
| TITLE | | 129064 | |
| WIRING INSTL-BODY(11OR30US) | | 129064 | |
| NO. OF SHEETS | TOTAL SHEETS | DATE | REV. |
| 2 | 10 | | |



- ① WITH EXTERIOR ENTERTAINMENT CENTER RECP. (FEATURE 76C).
- ② WITH EXTERIOR RECP.
- ③ WITH A/C PREP.
- ④ WITH A/C.
- ⑤ ALL GROUND WIRES TO BE COVERED WITH TUBING 8041-02-000.
- ⑥ FASTEN ALL WIRES TO SUPPORT. USE ONE SCREW PER CLAMP.

FOR ELECTRICAL TORQUE SPECIFICATIONS SEE DWG NO. 129763-01-000

FOR ELECTRICAL CALLOUTS SEE DWG NO. 121339-01-000



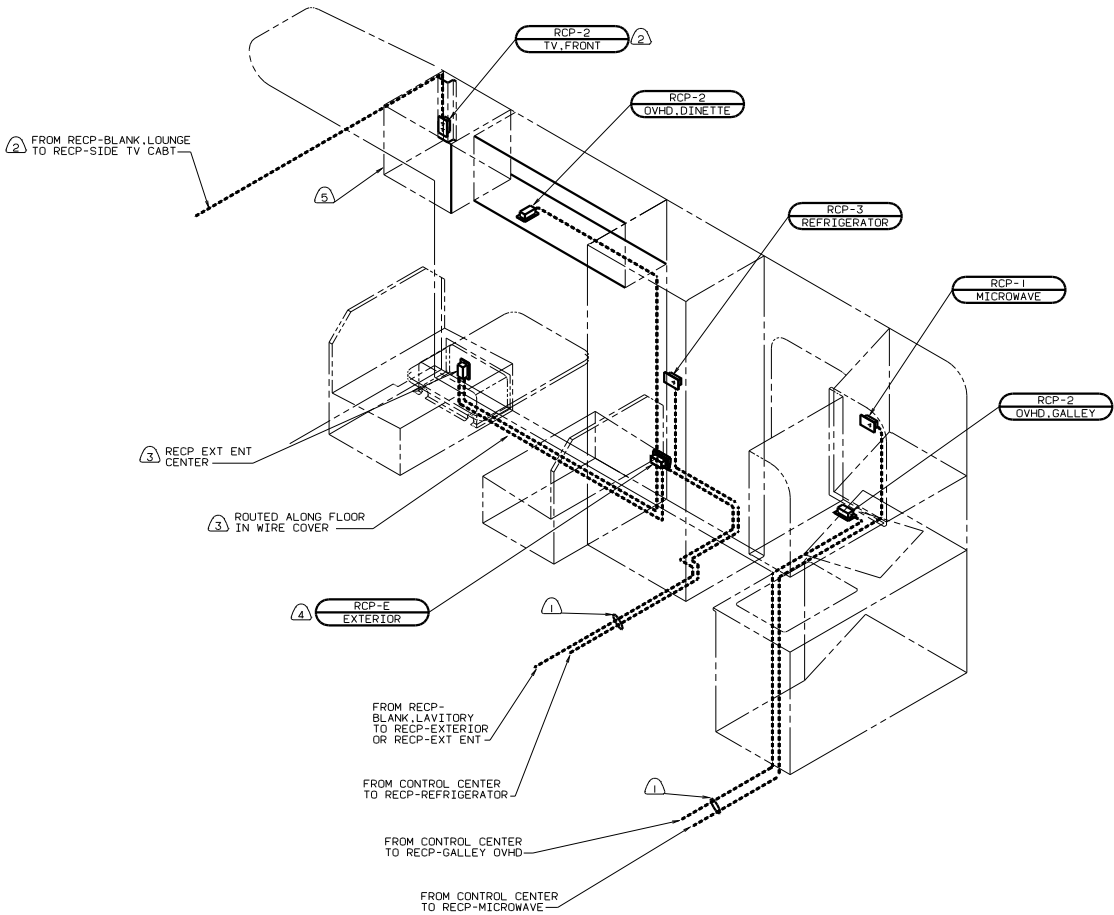
- (9) NOT USED WITH 78A TV-12V 13" COLOR, 12V VCR.
 - (8) NOT USED WITH 29D A/C ROOF-ONE 13,500.
 - (7) PAINT EXPOSED SURFACES BLACK WITH 106112-01-000.
 - (6) SEAL WITH BEDDING COMPOUND 69639-01-000.
 - (5) INSTALL RECP WITH GROUND TOWARD OUTBOARD SIDE OF VEHICLE.
 - (4) 40N GEN-4, 0KW ONAN GAS.
3. ALL GROUND WIRES TO BE COVERED WITH TUBING 8041-02-000.
2. ALL 100V WIRES ARE TO BE CLAMPED WITH CLAMP 10497-05-000 WITHIN 200 OF OUTLET BOXES, USE SCREW 667-10-128.
1. ALL WIRES TO BE CLAMPED WITH CLAMP 10495-01-000 OR CLIP 80734-01-000 EVERY 1200, USE SCREW 667-10-128 UNLESS OTHERWISE SPECIFIED.

FOR ELECTRICAL TORQUE SPECIFICATIONS SEE DWG NO. 128783-01-000

FOR ELECTRICAL CALLOUTS SEE DWG NO. 121339-01-000

99 322E

WIRING INSTL-BODY (110130CAN)
 SHEET 4 OF 10
 129064



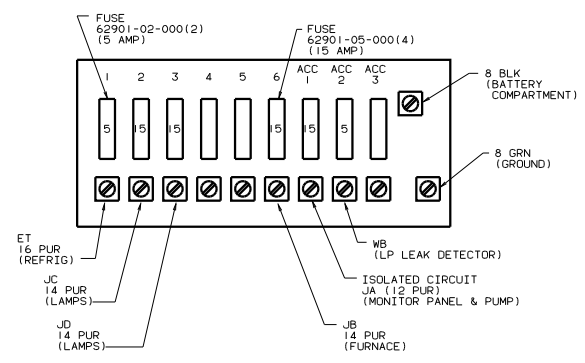
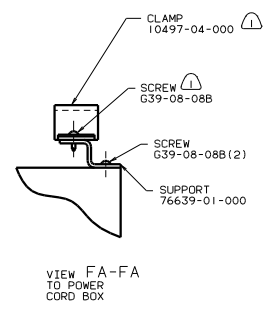
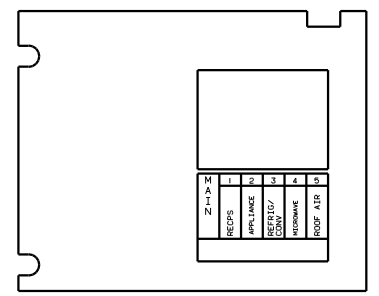
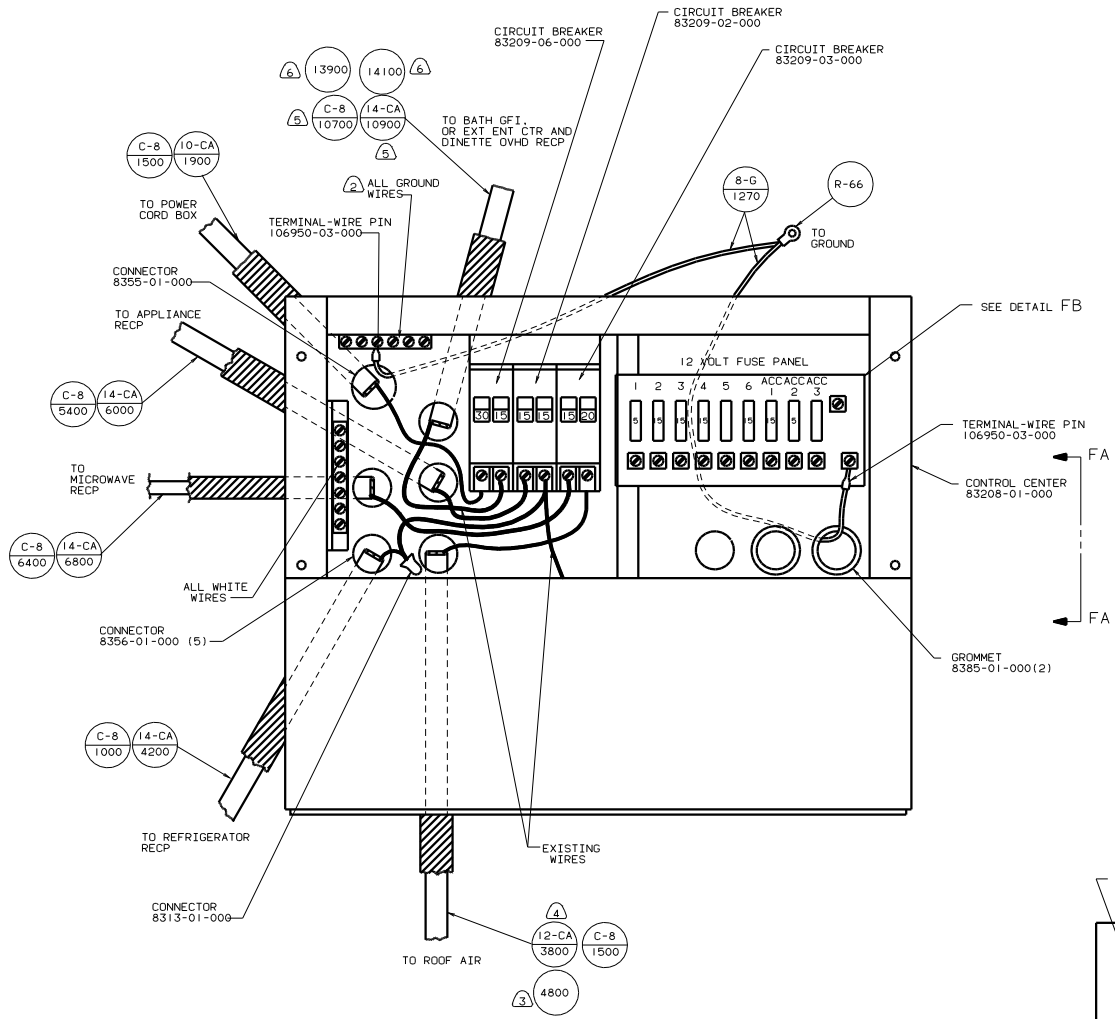
- NOTES:
- ⑤ SEE WIRING INSTL-TV/VCR. SIDE FOR ADDITIONAL INFORMATION.
 - ④ NOT USED WITH 76C, EXTERIOR ENTERTAINMENT CENTER.
 - ③ WITH EXTERIOR ENTERTAINMENT CENTER ONLY. (FEATURE 76C).
 - ② NOT USED WITH SIDE TV/VCR. (FEATURE 78A).
 - ① WIRE ROUTED THROUGH MAIN FLOOR.

FOR ELECTRICAL TORQUE SPECIFICATIONS SEE DWG NO. 129783-01-000

FOR ELECTRICAL CALLOUTS SEE DWG NO. 121339-01-000

99 322E

TITLE: WIRING INSTL-BODY (110R30CAN)
 SHEET 5 OF 10



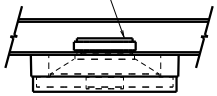
- Ⓐ WITH EXTERIOR ENTERTAINMENT CENTER RECP. (FEATURE 76C).
- Ⓑ WITH EXTERIOR RECP.
- Ⓒ WITH A/C.
- Ⓓ WITH A/C PREP.
- ② ALL GROUND WIRES TO BE COVERED WITH TUBING 8041-02-000.
- ① FASTEN ALL WIRES TO SUPPORT. USE ONE SCREW PER CLAMP.

FOR ELECTRICAL TORQUE SPECIFICATIONS SEE DWG NO. 128783-01-000

FOR ELECTRICAL CALLOUTS SEE DWG NO. 121339-01-000

CONTROL CENTER (CAN) 99 322E

- SPEAKER KIT
110465-01-000 (1/4)
- GRILLE
111177-01-CHT
- SCREW
(SUPPLIED W/SPEAKER) (4)
- SCREW
G56-08-32X (4)



VIEW GB-GB

- 3 WIRE ASM-WATER PUMP SWITCH
- 3 SWITCH
103494-03-000
- 3 ACTUATOR
108357-08-000
- 2 WIRE ASM-JUMPER
108356-02-CHT
- 103493-01-000

- SWITCH PLATE
98351-01-CHT
- SWITCH-CEILING, BATH
89308-01-CHT
- SCREW
G11-06-10J (2)

- PANEL-MONITOR
102765-02-CHT
- (W/O ELEC WATER HEATER)
- 102765-04-CHT
- (W/ELEC WATER HEATER)
- SCREW
G13-06-16U(4)

- WIRE ASM-LEFT
129127-01-000

- 4 WIRE ASM-ELECTRIC STEP EXT
129124-01-000

- WALLPLATE TV
86784-01-CHT
- SCREW
G67-06-08U (2)

WIRE ASM-ROOF.CENTER

WIRE ASM-ROOF.FRONT
TO RIGHT SIDE

LF2-1
3

WIRE ASM-WATER TANK
96449-01-000

TO WATER PUMP
(SEE DETAIL GC)

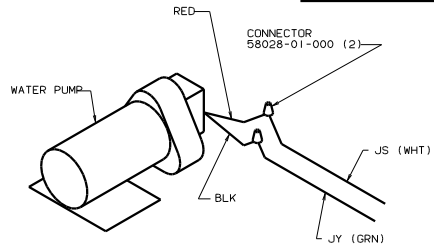
CONTROL CENTER
(SEE SHT 3 OR 6)

TO WIRE ASM-CHASSIS

WIRE ASM-MAIN HOLDING TANK
96450-02-000

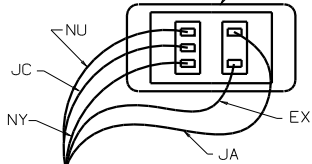
WIRE ASM-AUX HOLDING TANK
96451-02-000

TO RIGHT SIDE



DETAIL GC

- SWITCH-PLATE
TORQUE
98351-15-CHT
- SWITCH
89308-01-CHT
- 89308-02-CHT
- SCREW
G11-06-10U(2)



VIEW GA-GA

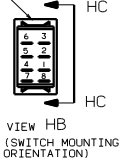
- 4 IE2 DOOR,STEP-MAIN,SINGLE ELECTRIC
W/DOOR JAMB SWITCH.
 - 3 USE WITH EXTERIOR SHOWER. (FEATURE 64R).
 - 2 USE WITHOUT EXTERIOR SHOWER. (FEATURE 64R).
1. SEE RADIO INSTALLATION FOR ADDITIONAL INFORMATION.

FOR ELECTRICAL
TORQUE
SPECIFICATIONS
SEE DWG NO.
128783-01-000

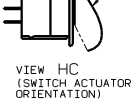
FOR
ELECTRICAL
CALLOUTS
SEE DWG NO.
121359-01-000

| | |
|---------------|-------------------------|
| 99 322E | |
| TITLE | WIRING INSTL-BODY(12 L) |
| NO. OF SHEETS | 7 OF 10 |
| DWG NO | 129064 |

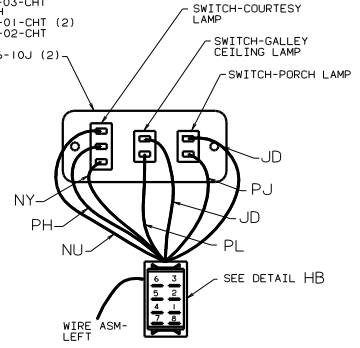
PLATE-SWITCH
98351-07-CHT
SWITCH-BATTERY DISCONNECT
108357-06-CHT
SCREW
G11-06-10U(2)



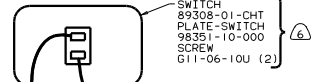
ACTUATOR-SWITCH
108356-11-CHT



SWITCH-PLATE
98351-03-CHT
SWITCH
89308-01-CHT (2)
89308-02-CHT
SCREW
G11-06-10J (2)

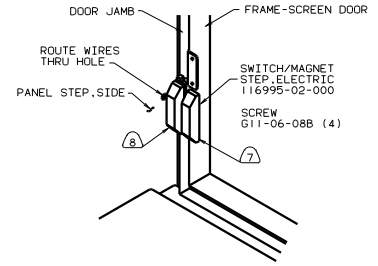
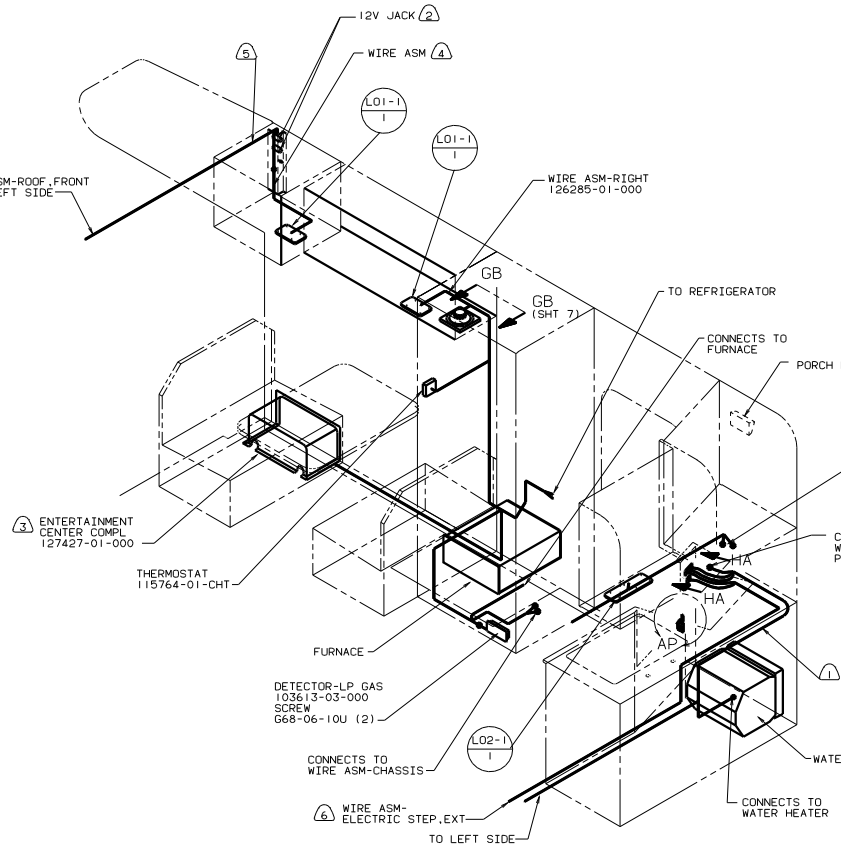


VIEW HA-HA



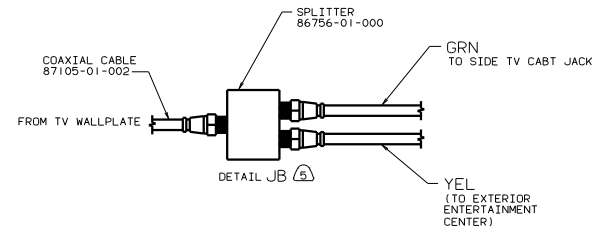
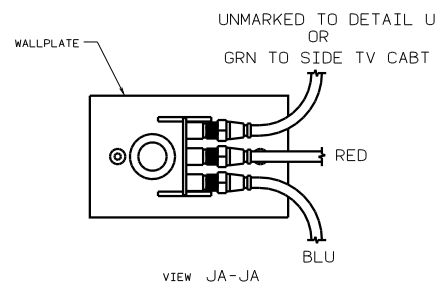
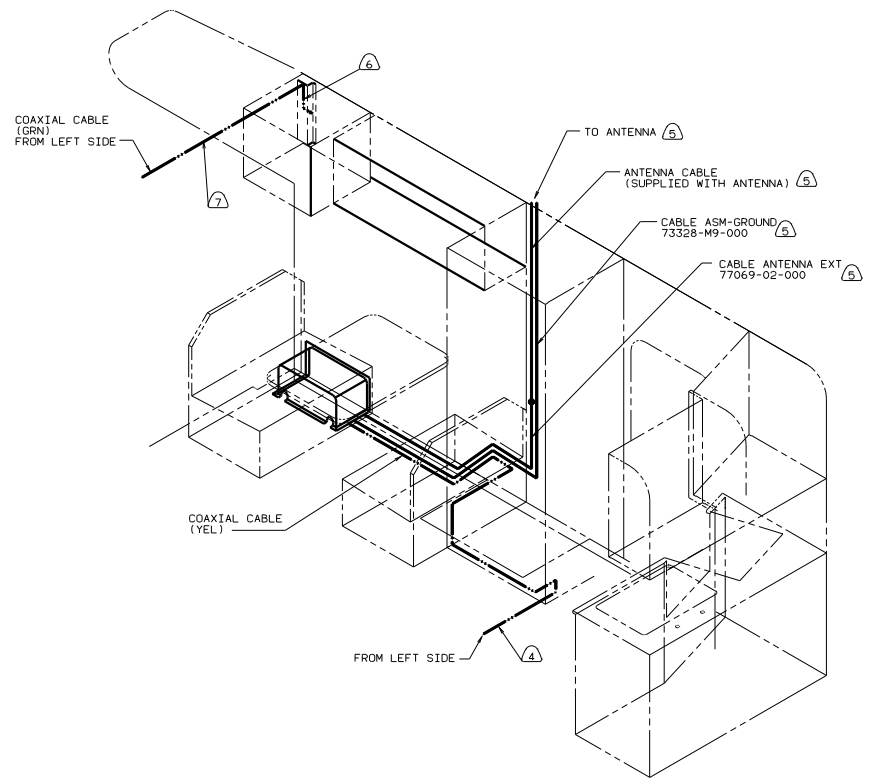
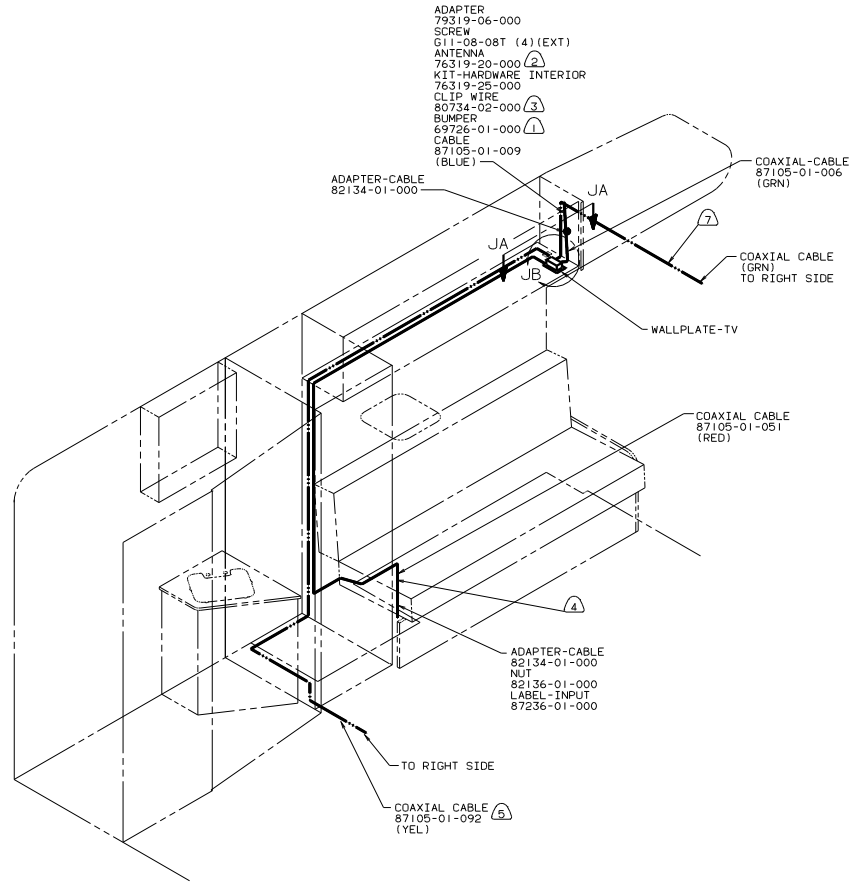
- Ⓐ MOUNT SWITCH AND SPACER TO BLOCK ON JAMB. ADJUST HEIGHT TO MATCH MAGNET.
- Ⓑ MOUNT MAGNET USING PILOT HOLES IN SCREEN DOOR FRAME. MOUNT WITH MAGNET TOWARD SWITCH.
- Ⓒ 1E2 ENTRANCE STEP-ELECTRIC
- Ⓓ TAPE BACK JA AND JP FOR 2ND 12V JACK WHEN IT IS NOT NEEDED.
- Ⓔ SEE CABT ASM FOR ADDITIONAL INFORMATION.
- Ⓚ WITH EXTERIOR ENTERTAINMENT CENTER. (FEATURE 76C).
- Ⓛ SEE WIRING INSTL-TV/VCR.SIDE FOR ADDITIONAL INFORMATION.
- Ⓜ ATTACH TO SIDEWALL OR BOTTOM OF COUNTERTOP USE CLAMP 10495-01-000 RO CLIP 80734-02-000 EVERY 1200. USE SCREW G67-10-12B UNLESS OTHERWISE SPECIFIED.

NOTES:



FOR ELECTRICAL TORQUE SPECIFICATIONS SEE DWG NO. 128783-01-000

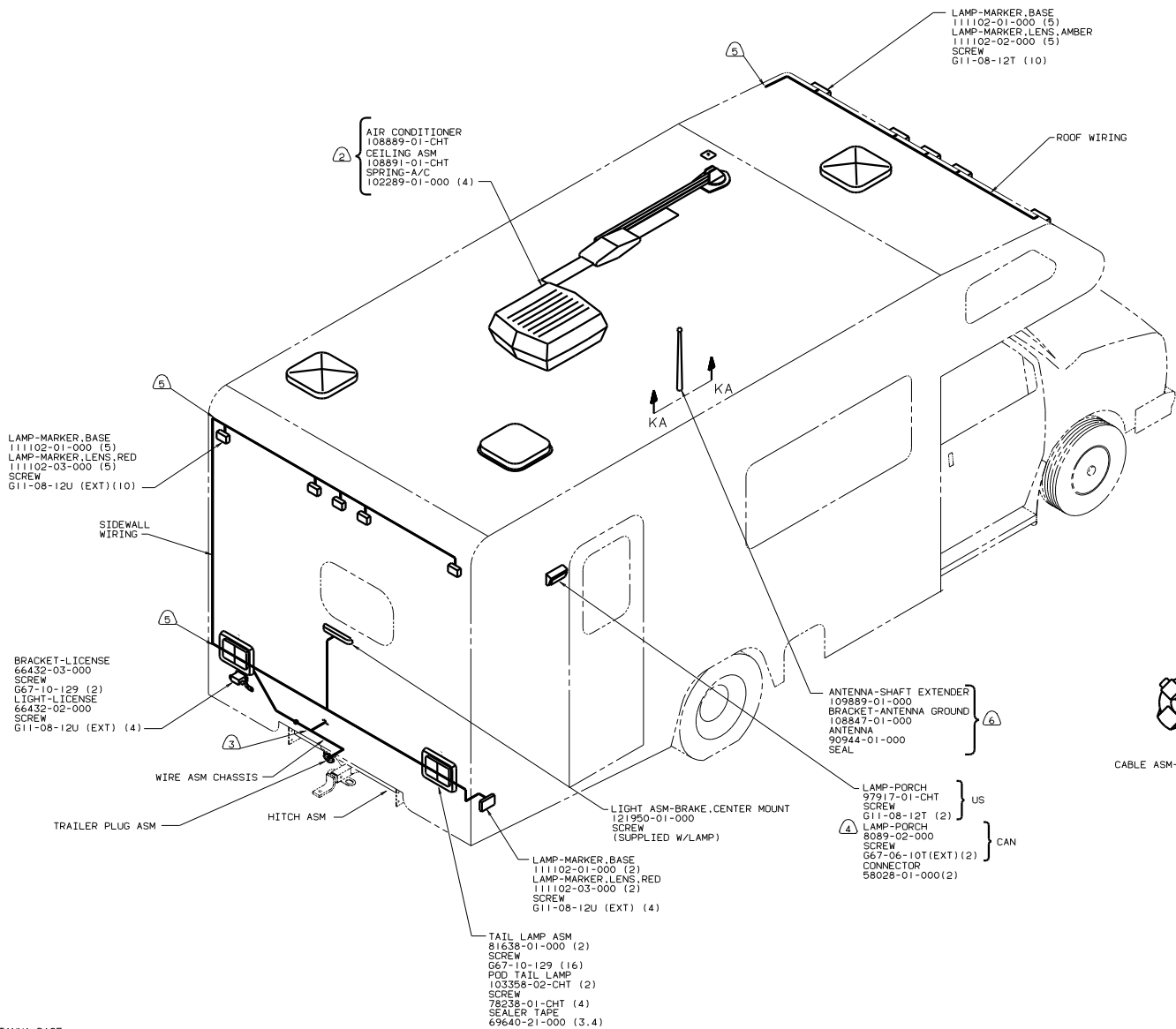
FOR ELECTRICAL CALLOUTS SEE DWG NO. 121339-01-000



- ⑦ ROUTED IN ROOF.
- ⑥ SEE WIRING INSTL-TV/VCR SIDE FOR ADDITIONAL INFORMATION.
- ⑤ WITH EXTERIOR ENTERTAINMENT CENTER. (FEATURE 76C).
- ④ ADD 600 CONVOLUTED TUBING 41953-01-000 IN THIS AREA BELOW FLOOR.
- ③ LOCATE TO RETAIN CABLE BUT NOT TO RESTRICT ANTENNA TRAVEL.
- ② SEE DRAWING 76319-01-000 FOR INSTALLATION OF TV ANTENNA.
- ① ADD RUBBER BUMPER TO ROOF UNDER EACH END OF ANTENNA IN DOWN POSITION WHICH MAY COME INTO CONTACT WITH ROOF.

FOR ELECTRICAL TORQUE SPECIFICATIONS SEE DWG NO. 128783-01-000

98 322E
WIRING INSTL-BODY(COAX)
 SHEET 3 OF 10
 129064



- ⑦ WRAP BRACKET LEG AROUND ANTENNA BASE.
- ⑥ USE WITH EXTERIOR ENTERTAINMENT CENTER. (FEATURE 76C).
- ⑤ CONNECT TO WIRE ASM-SIDEWALL.
- ④ INSTALL WITH WIRES TOWARDS ROOF.
- ③ SECURE WIRE BELOW COACH WITH CLAMP
10495-01-000 AND SCREW G67-10-12B.
- ② 29D A/C ROOF-ONE 13,500.

1. CONNECTOR-PLUG,TRAILER 113589-01-000 TO BE SUPPLIED
LOOSE IN COACH WITH TRAILER TOW PACKAGE.

FOR ELECTRICAL
TORQUE
SPECIFICATIONS
SEE DWG NO
128783-01-000

99 322E

| | | | |
|--------|---------------|-------------------------|-----|
| TITLE | | WIRING INSTL-BODY(EX L) | |
| 30 | NO. OF SHEETS | 10 | NO. |
| 1 | SHEET | 10 | NO. |
| DWG NO | | 129064 | |