



DANGER

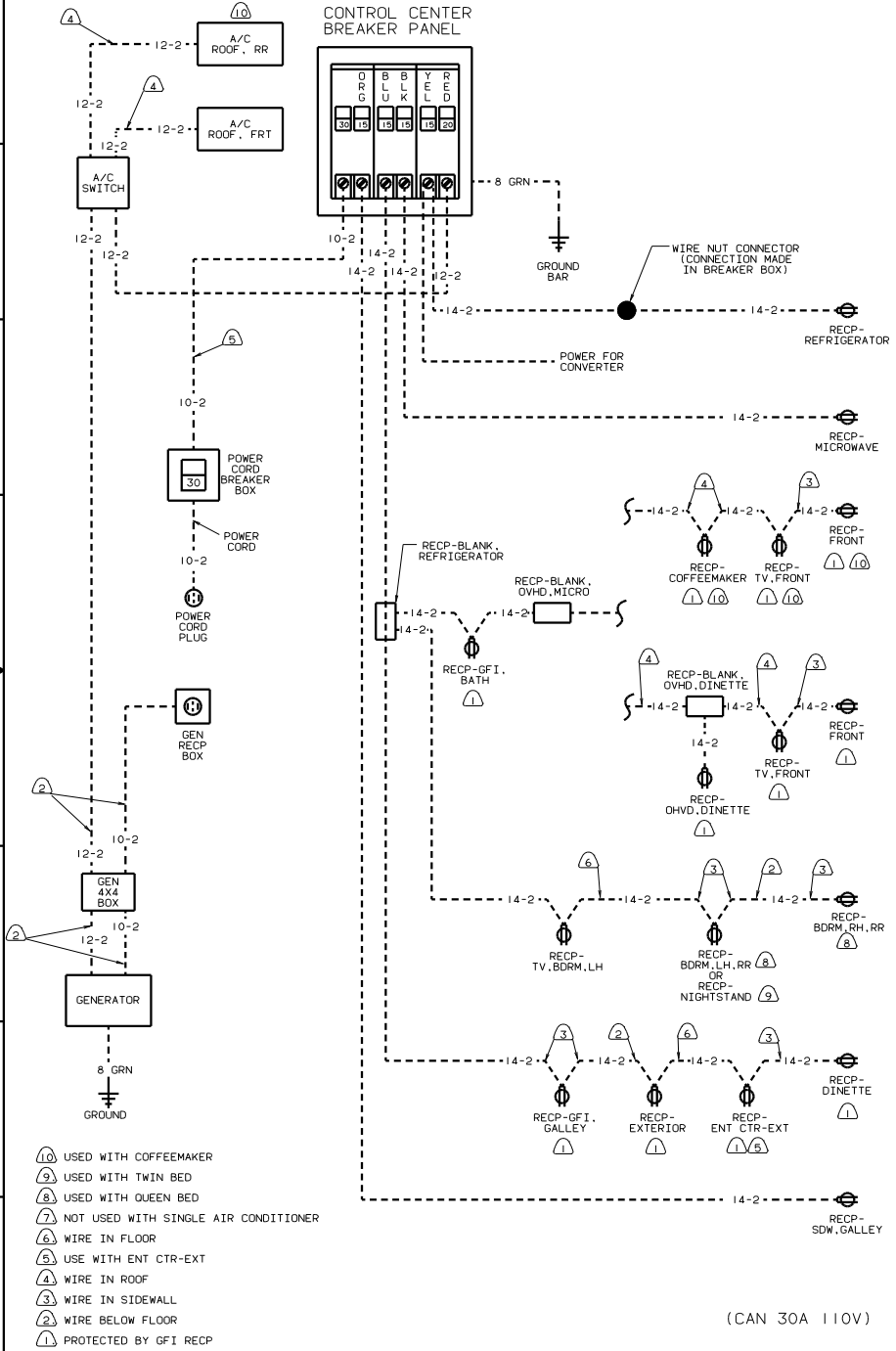
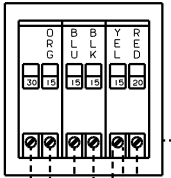
Danger of electrical shock, burns or death. Always remove all power sources before attempting any repair, service or diagnostic work. Power can be present from shore power, generator, inverter or battery. All power sources must be disabled and secured before performing any service.



CAUTION

If you lack the skills, tools or equipment to perform diagnostic or repair work leave such work to an authorized Winnebago Industries dealer or other qualified shop.

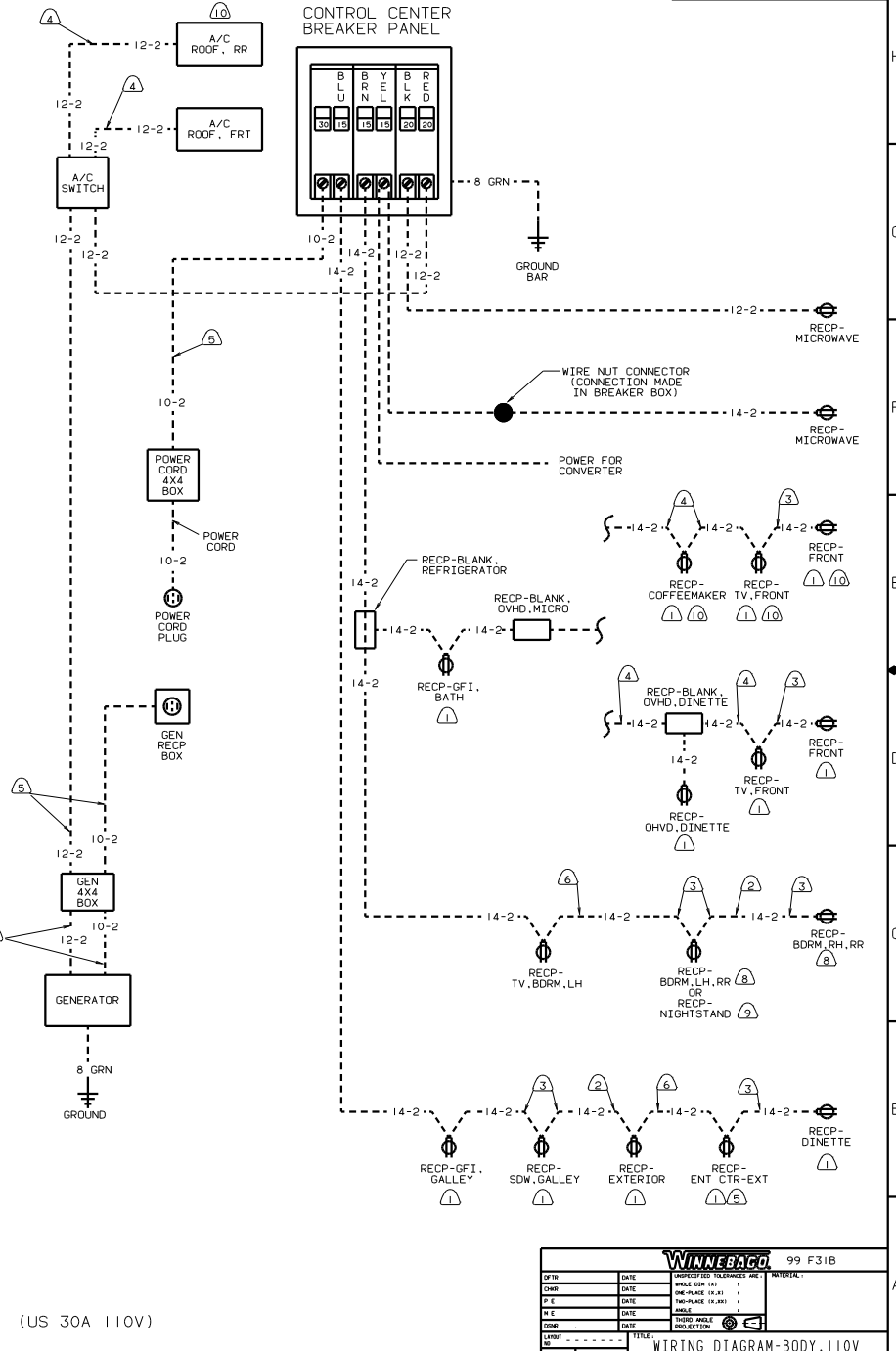
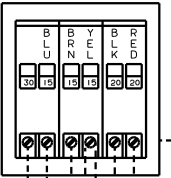
CONTROL CENTER BREAKER PANEL



- ⑩ USED WITH COFFEEMAKER
- ⑨ USED WITH TWIN BED
- ⑧ USED WITH QUEEN BED
- ⑦ NOT USED WITH SINGLE AIR CONDITIONER
- ⑥ WIRE IN FLOOR
- ⑤ USE WITH ENT CTR-EXT
- ④ WIRE IN ROOF
- ③ WIRE IN SIDEWALL
- ② WIRE BELOW FLOOR
- ① PROTECTED BY GFI RECP

(CAN 30A 110V)

CONTROL CENTER BREAKER PANEL



(US 30A 110V)

WINNEBAGO 99 F31B

OP TR	DATE	UNDESIGNED TOLERANCES ARE:	MATERIAL
CHP	DATE	ONE-PLACE (1:1)	
D/E	DATE	TWO-PLACE (1:2)	
D/E	DATE	THREE-PLACE (1:3)	
COMP	DATE	THREE-PLACE (1:3)	

WIRING DIAGRAM-BODY 110V

SHEET 1 OF 2

REF: 126640 A I