



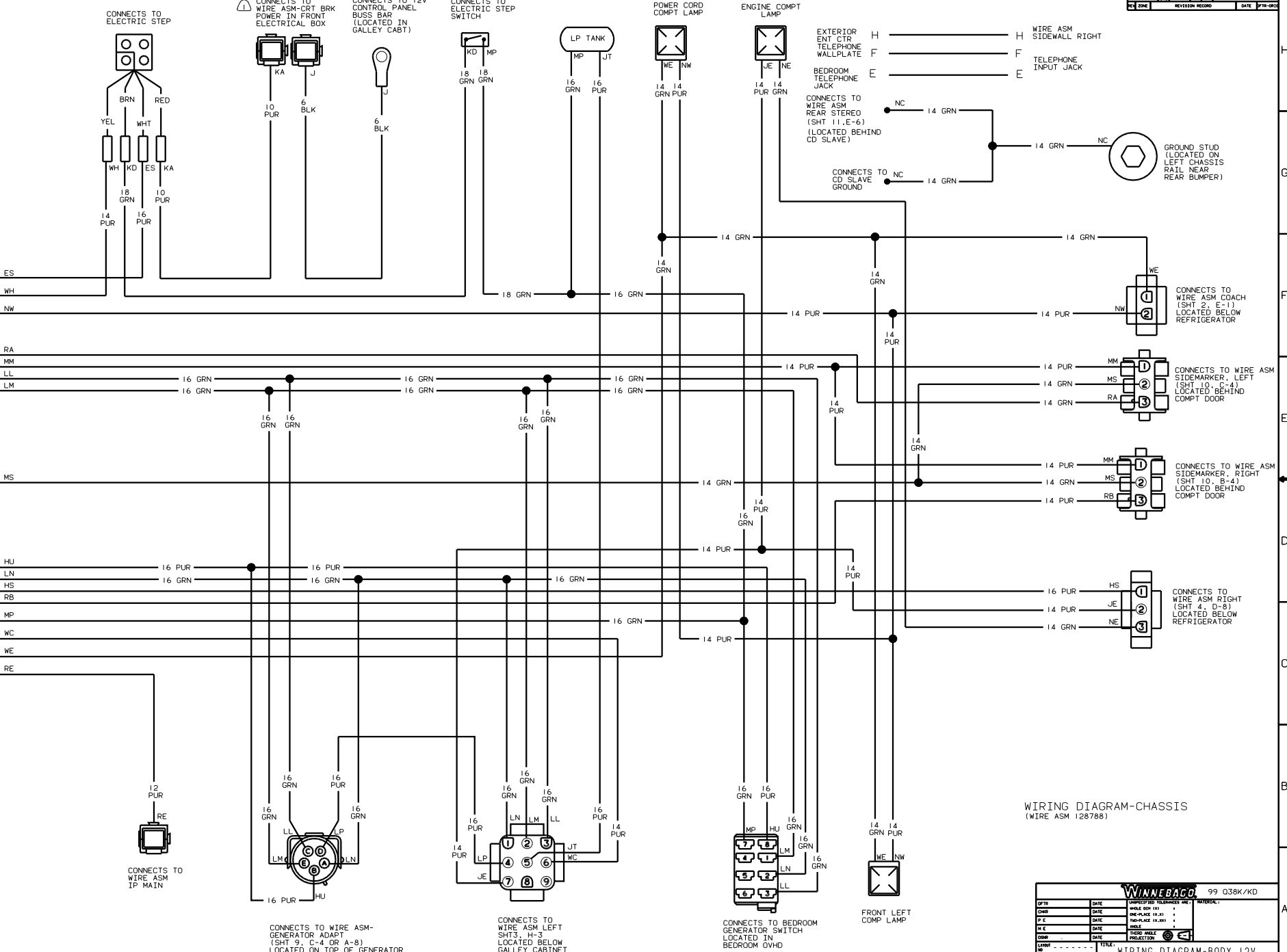
DANGER

Danger of electrical shock, burns or death. Always remove all power sources before attempting any repair, service or diagnostic work. Power can be present from shore power, generator, inverter or battery. All power sources must be disabled and secured before performing any service.



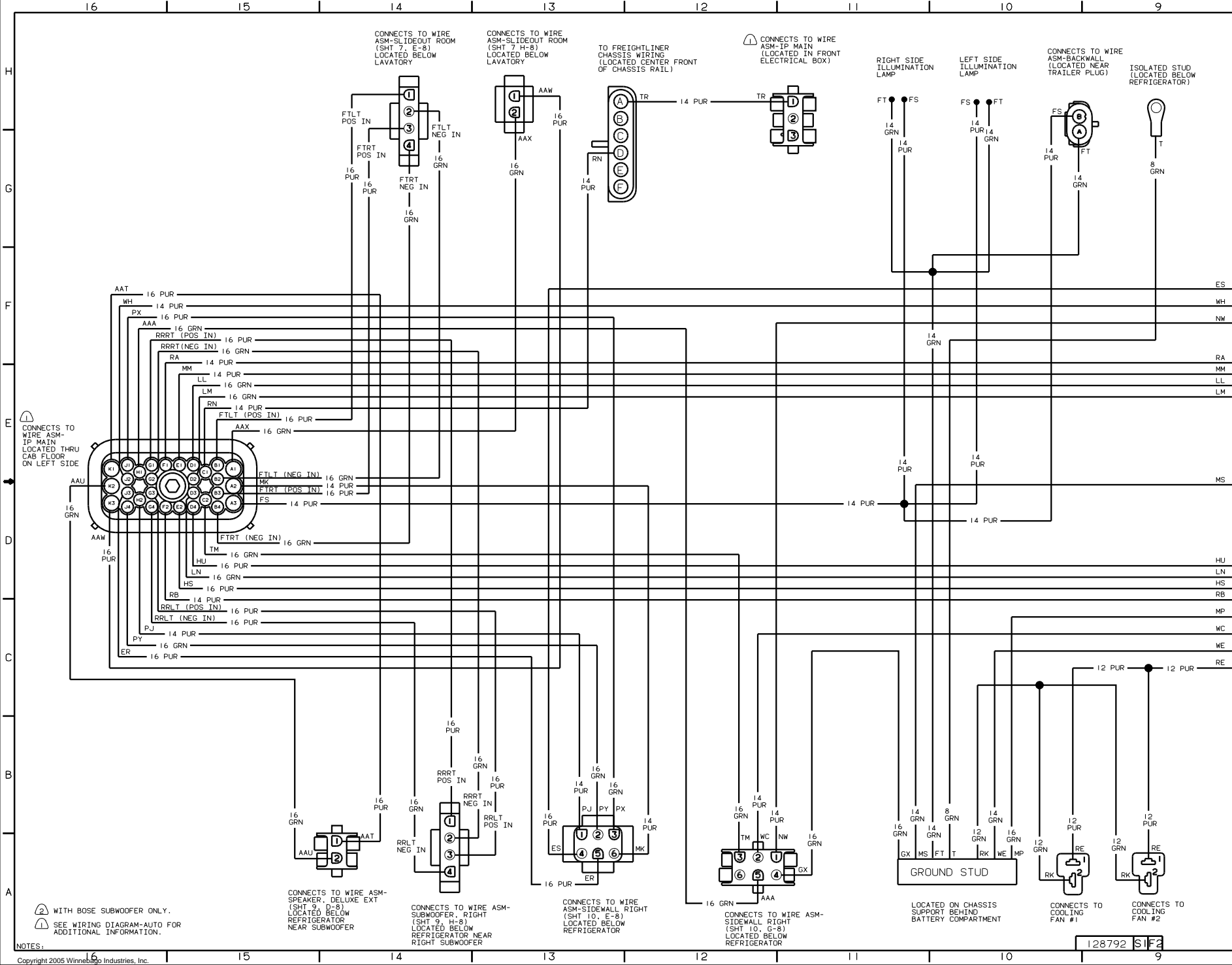
CAUTION

If you lack the skills, tools or equipment to perform diagnostic or repair work leave such work to an authorized Winnebago Industries dealer or other qualified shop.



WIRING DIAGRAM-CHASSIS (WIRE ASM 128788)

DFTD		DATE	UNPREPARED TELEPHONE WIRE MATERIAL
CWD	DATE	WIRE ASM (SHT 11)	
P.E.	DATE	WIRE ASM (SHT 11)	
W.E.	DATE	WIRE ASM (SHT 11)	
OWD	DATE	WIRE ASM (SHT 11)	
WINNEBAGO 99 Q38K/KD WIRING DIAGRAM-BODY 12V SHEET 1 OF 1 128792			



H

G

F

E

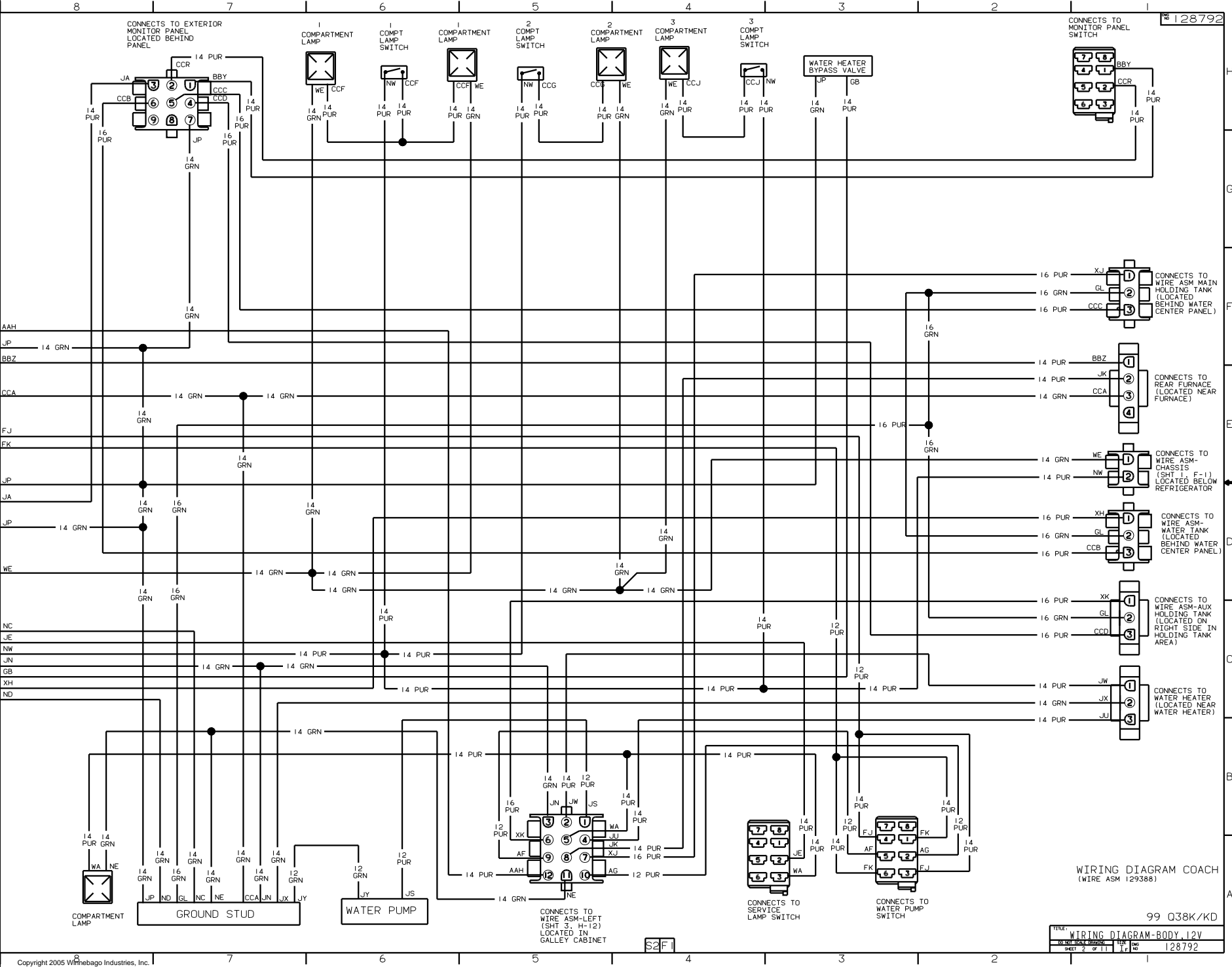
D

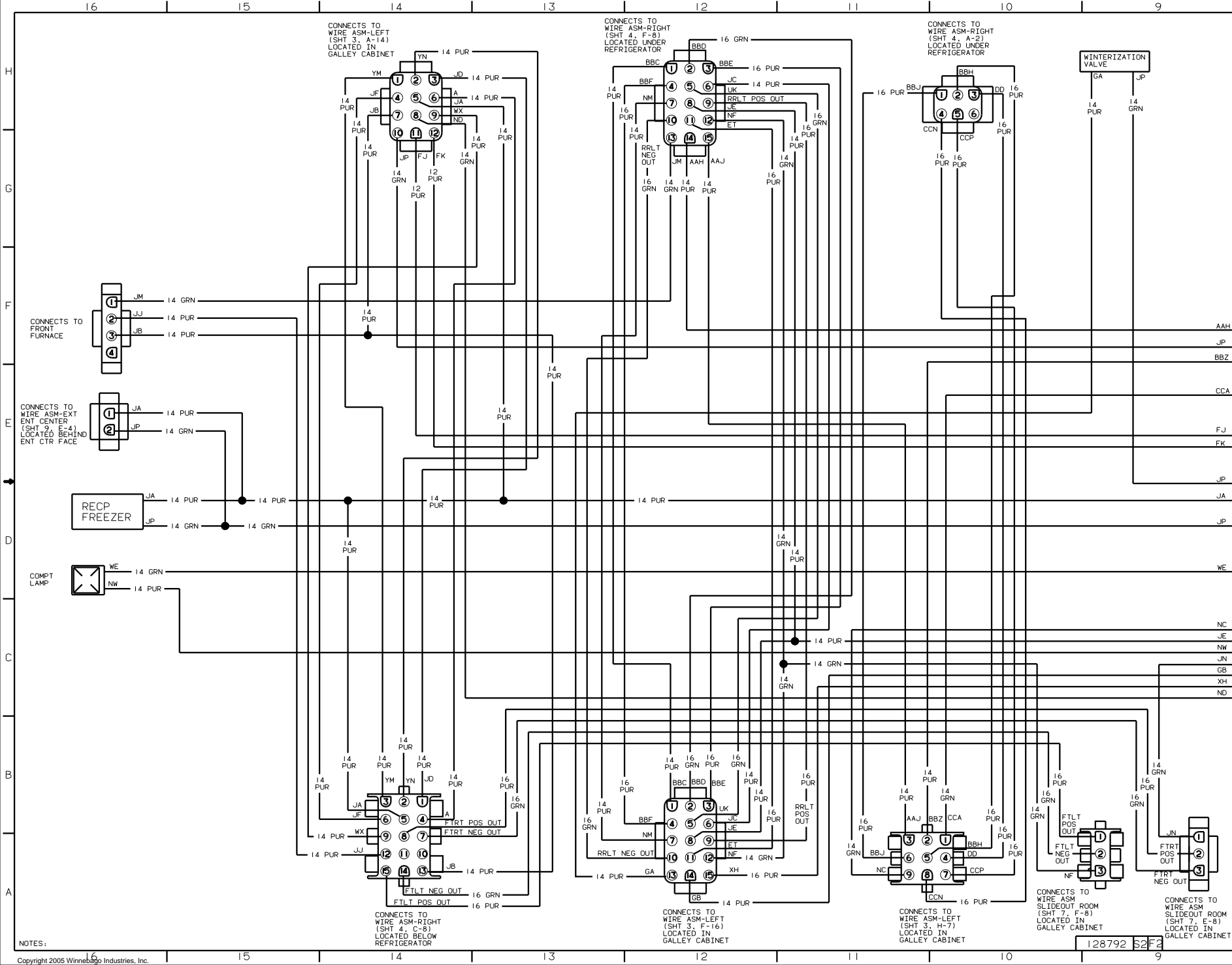
C

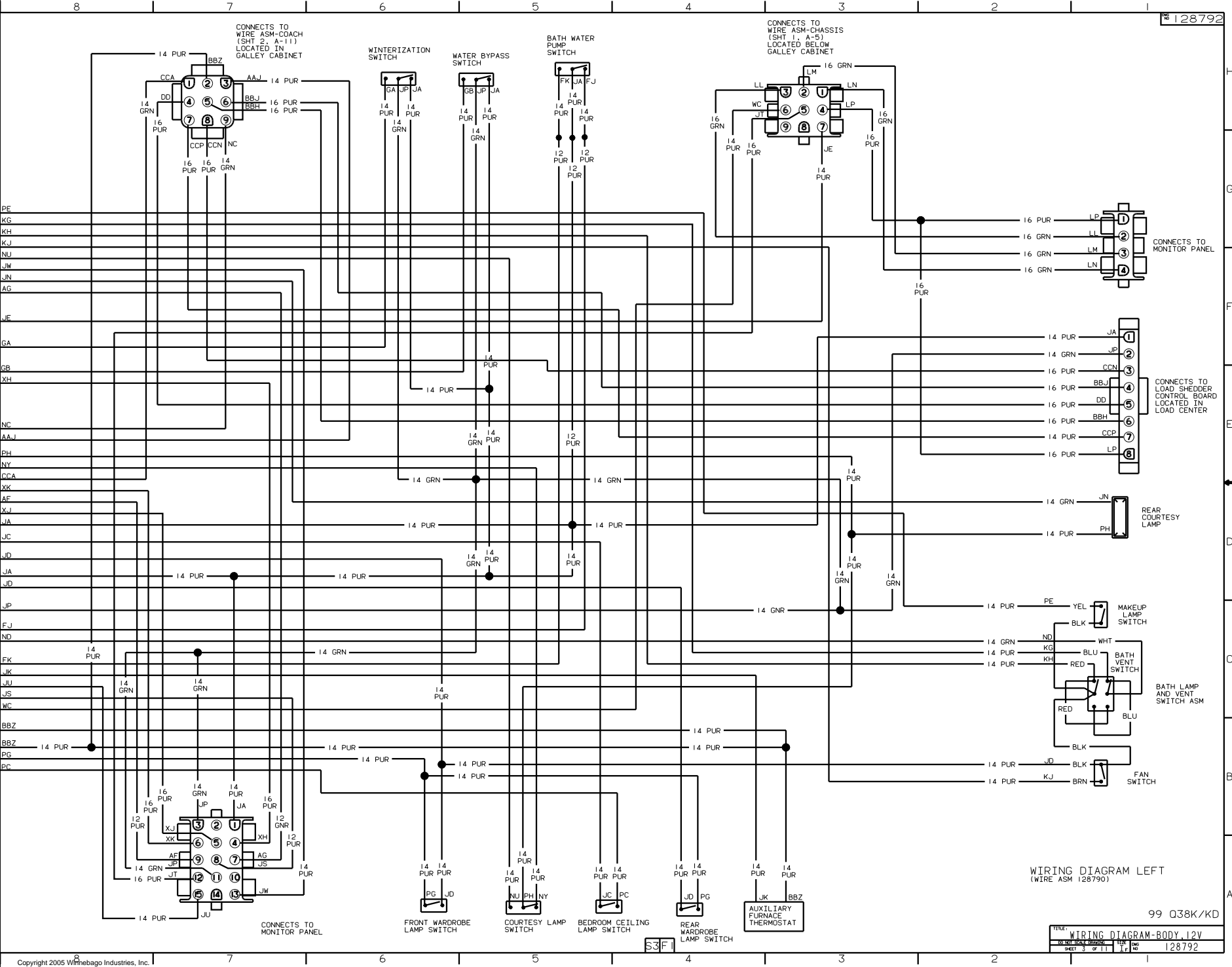
B

A

NOTES:
 ① WITH BOSE SUBWOOFER ONLY.
 ② SEE WIRING DIAGRAM-AUTO FOR ADDITIONAL INFORMATION.



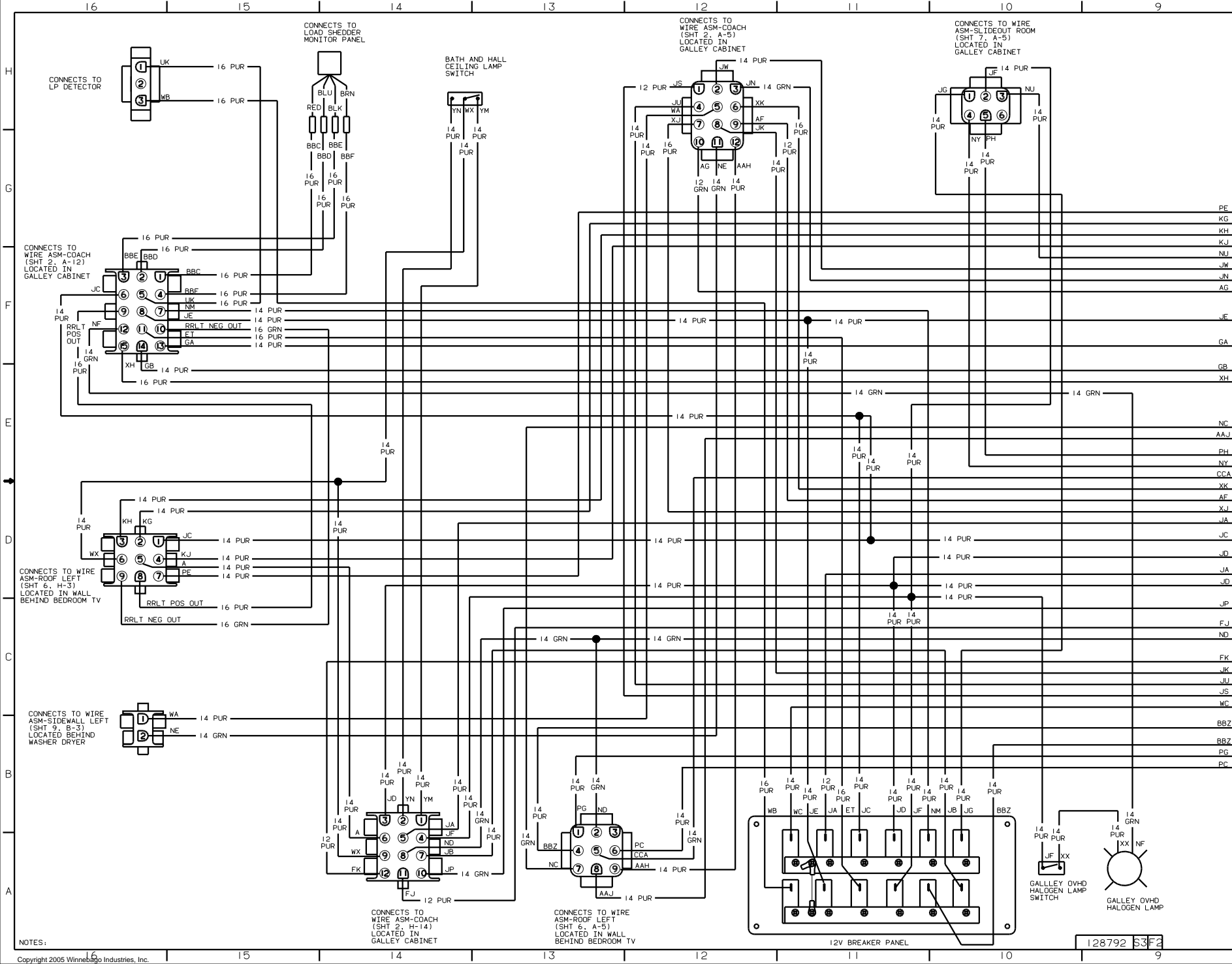




WIRING DIAGRAM LEFT (WIRE ASM 128790)

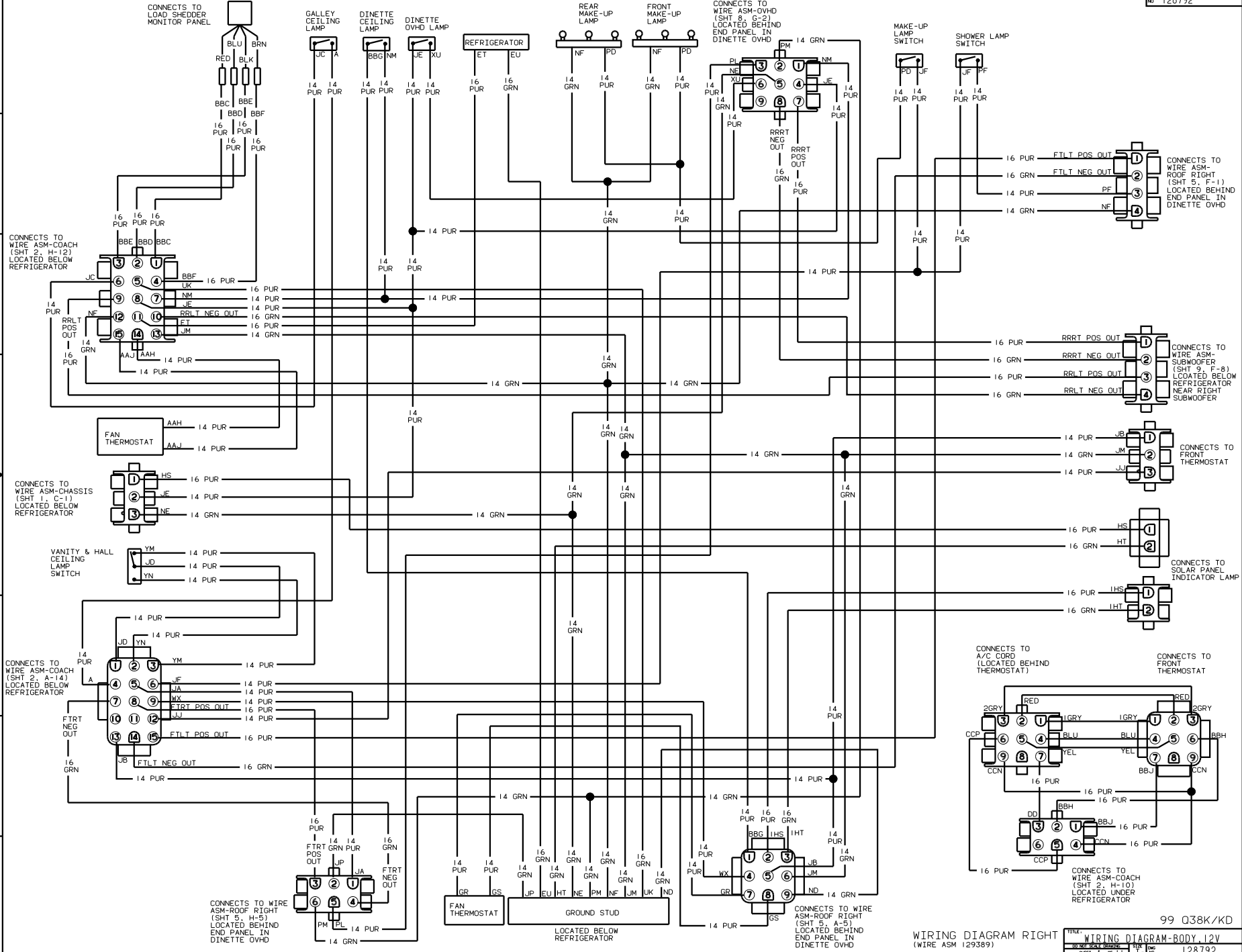
99 Q38K/KD

TITLE: WIRING DIAGRAM-BODY_12V		DATE: 04/02/03	REV: 1
DRAWN BY: [Signature]		CHECKED BY: [Signature]	DATE: 04/02/03
SHEET 3 OF 11		128792	

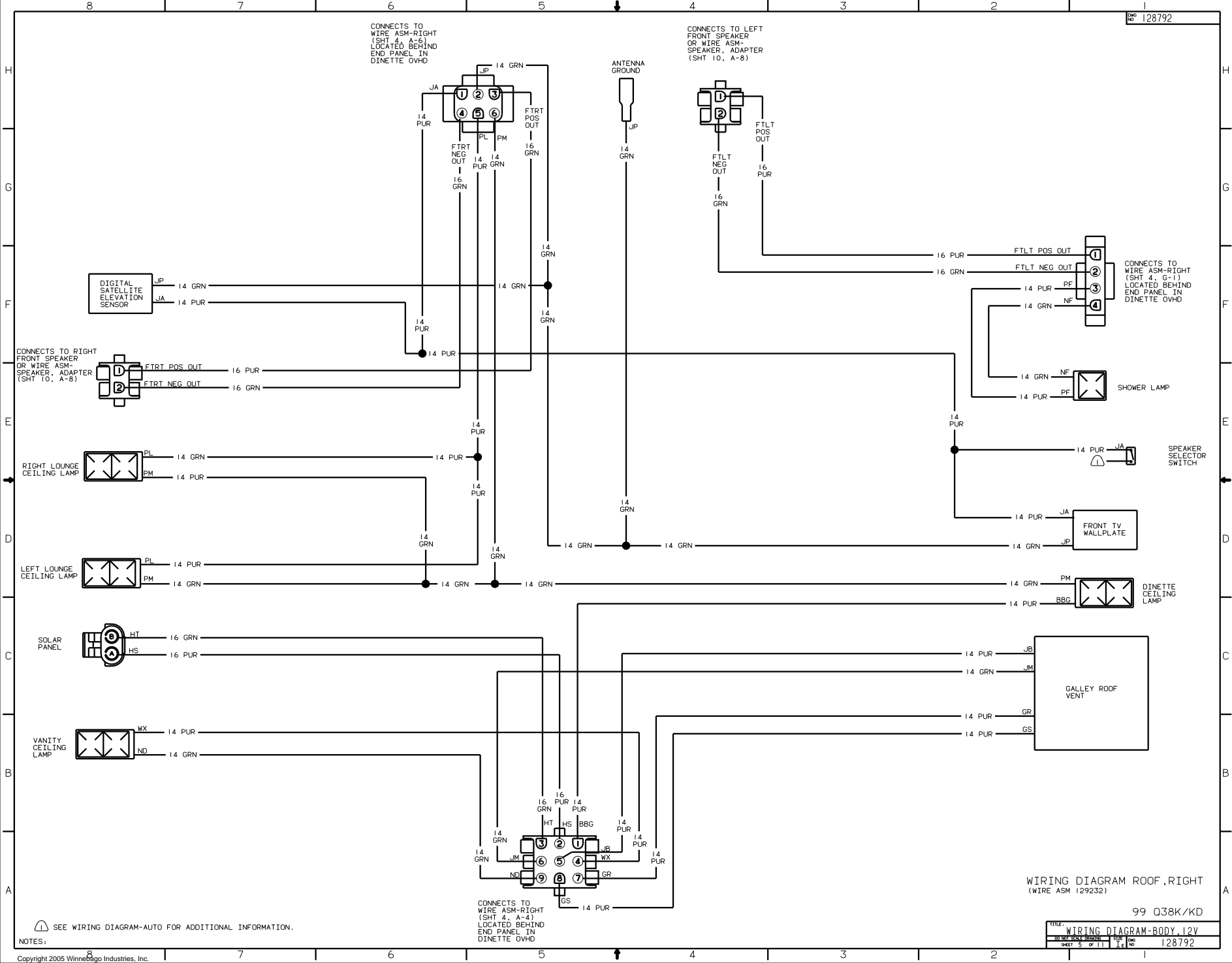


NOTES:

128792 33F2



99 Q38K/KD
 WIRING DIAGRAM RIGHT (WIRE ASM 129389)
 TITLE: WIRING DIAGRAM-BODY_12V
 SHEET 4 OF 11



CONNECTS TO WIRE ASM-RIGHT (SHT 4, A-6) LOCATED BEHIND END PANEL IN DINETTE OVHD

CONNECTS TO LEFT FRONT SPEAKER OR WIRE ASM-SPEAKER, ADAPTER (SHT 10, A-8)

CONNECTS TO WIRE ASM-RIGHT (SHT 4, G-1) LOCATED BEHIND END PANEL IN DINETTE OVHD

CONNECTS TO RIGHT FRONT SPEAKER OR WIRE ASM-SPEAKER, ADAPTER (SHT 10, A-8)

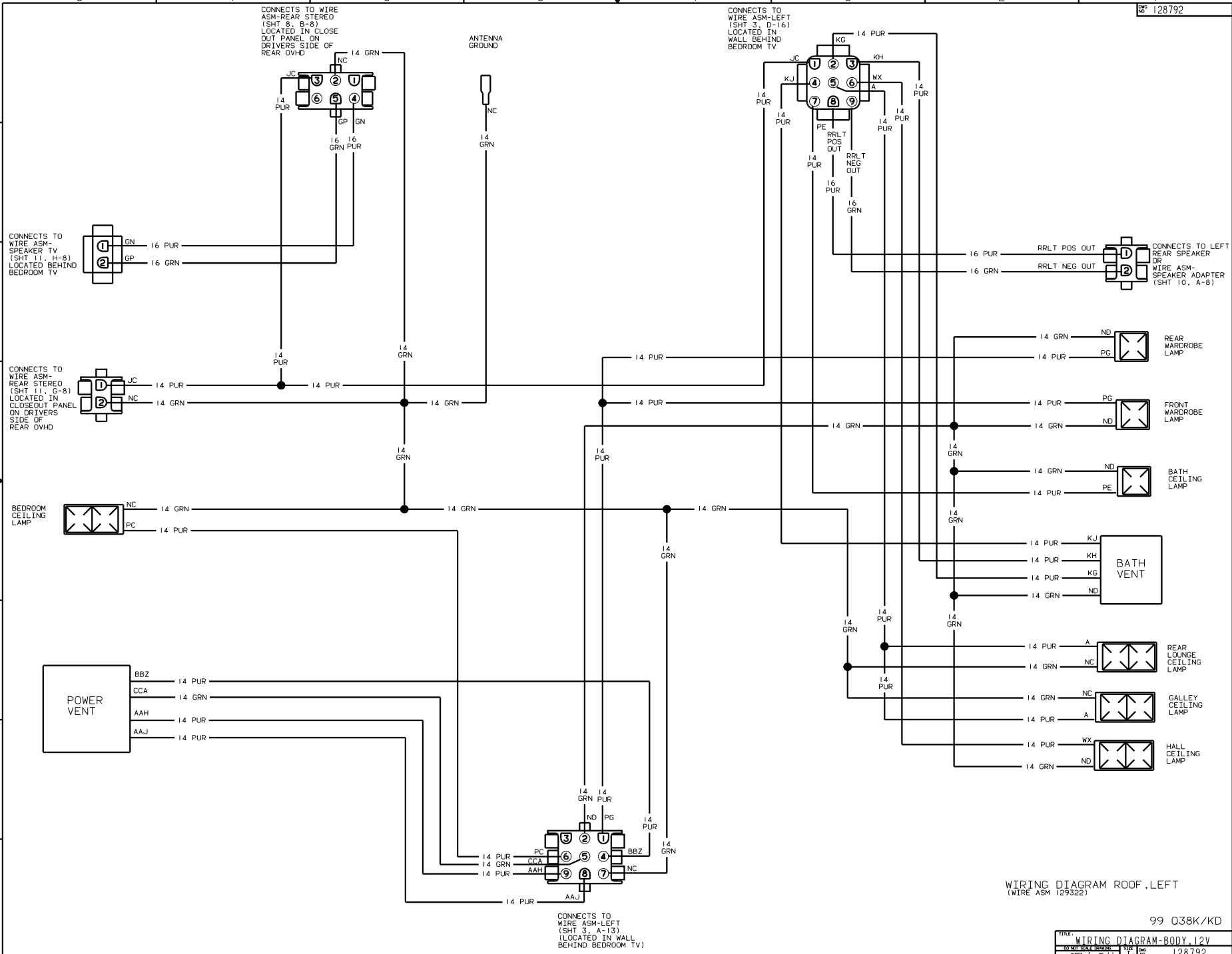
CONNECTS TO WIRE ASM-RIGHT (SHT 4, A-4) LOCATED BEHIND END PANEL IN DINETTE OVHD

WIRING DIAGRAM ROOF, RIGHT (WIRE ASM 129232)

99 Q38K/KD

NOTES: SEE WIRING DIAGRAM-AUTO FOR ADDITIONAL INFORMATION.

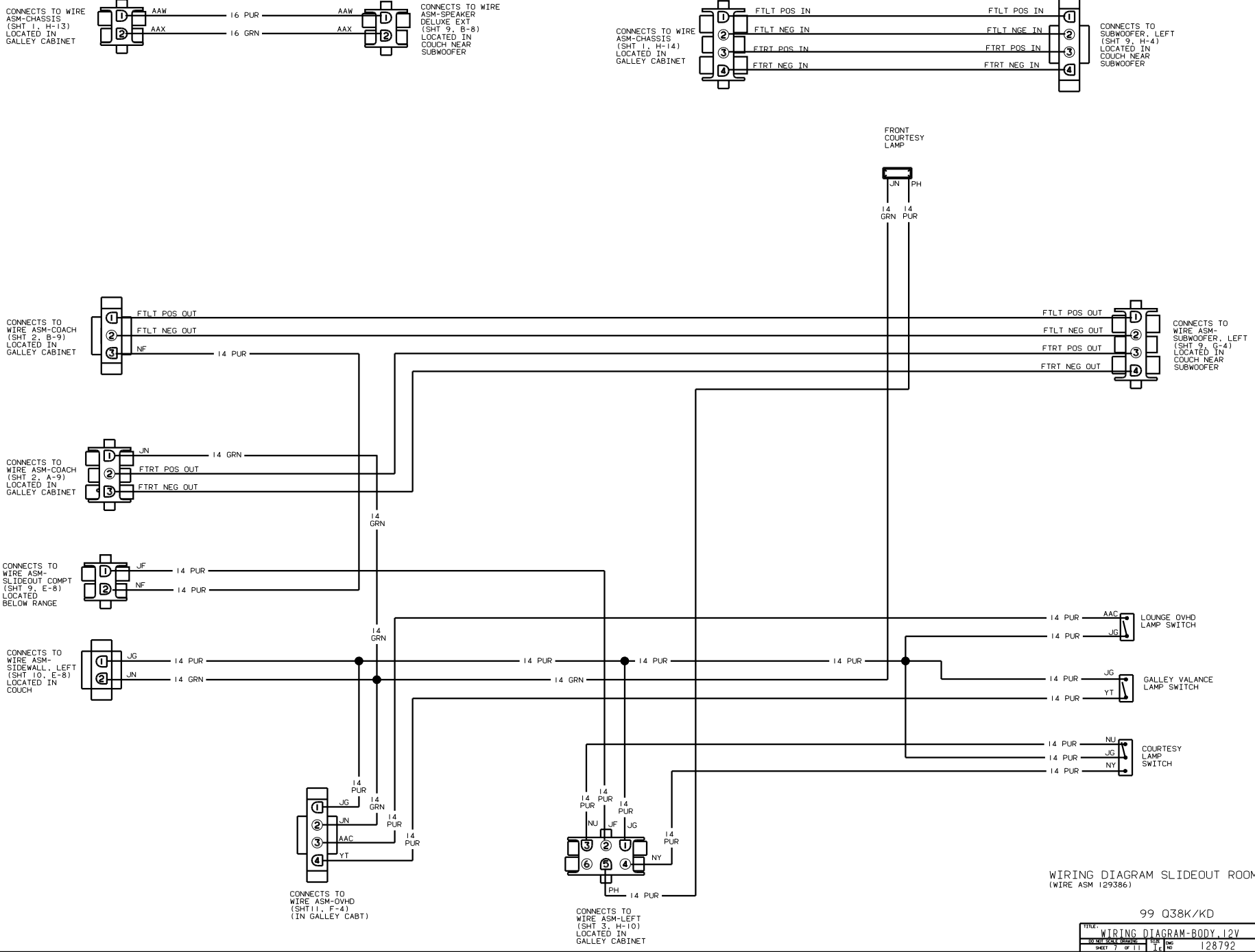
TITLE: WIRING DIAGRAM-BODY_12V	
NO. OF SHEETS: 5	SHEET NO: 5 OF 11
DATE: 1.6	REV: 1.6
128792	



WIRING DIAGRAM ROOF, LEFT
(WIRE ASM 129322)

99 Q38K/KD

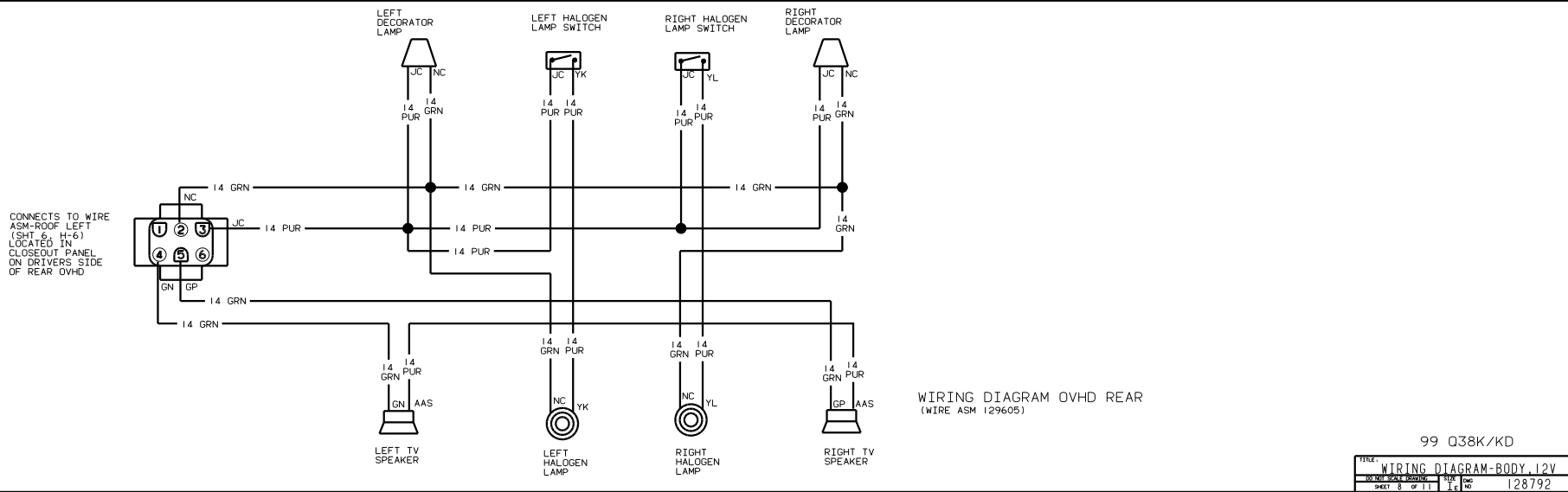
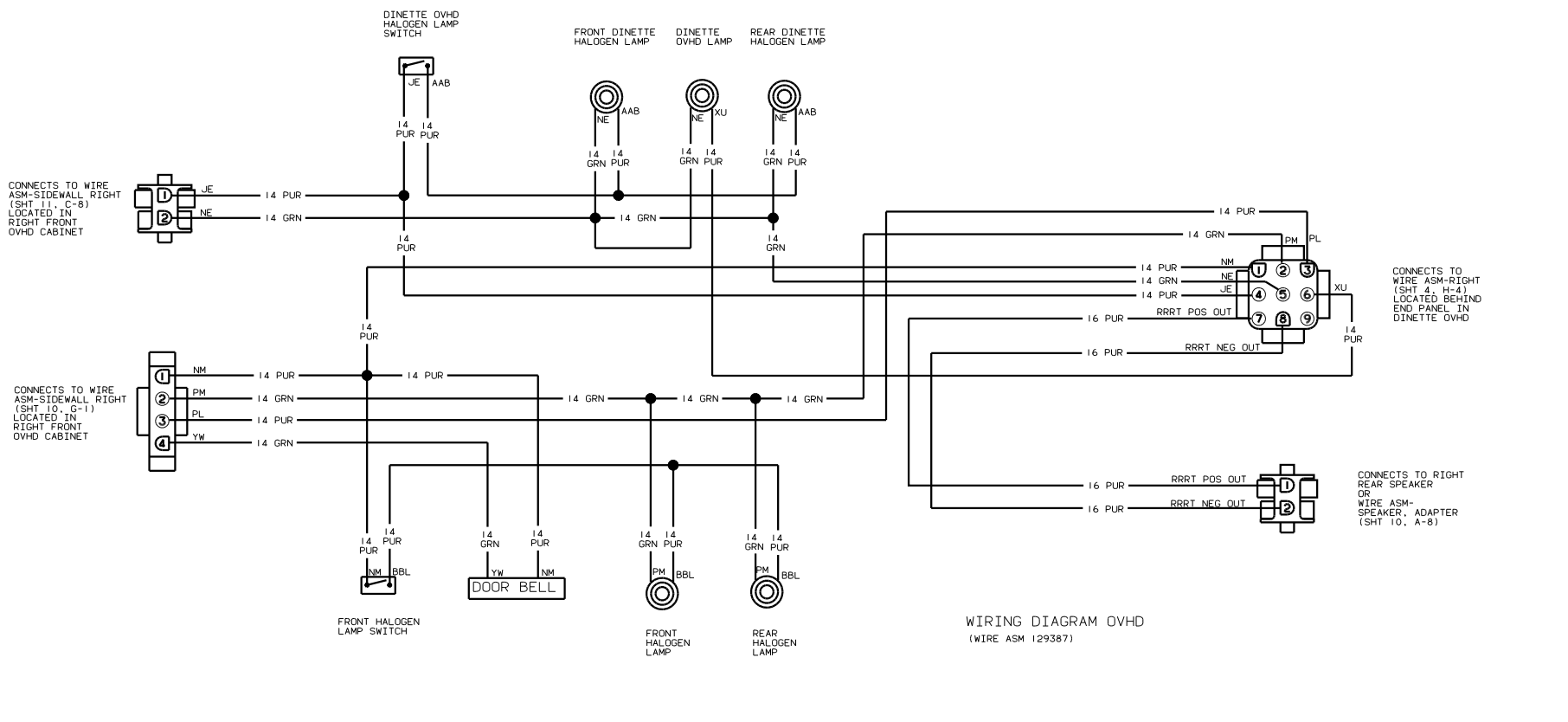
TITLE:	WIRING DIAGRAM-BODY_12V
NO. OF SHEETS:	16
SHEET NO. OF 11:	6
DATE:	128792



WIRING DIAGRAM SLIDEOUT ROOM (WIRE ASM 129386)

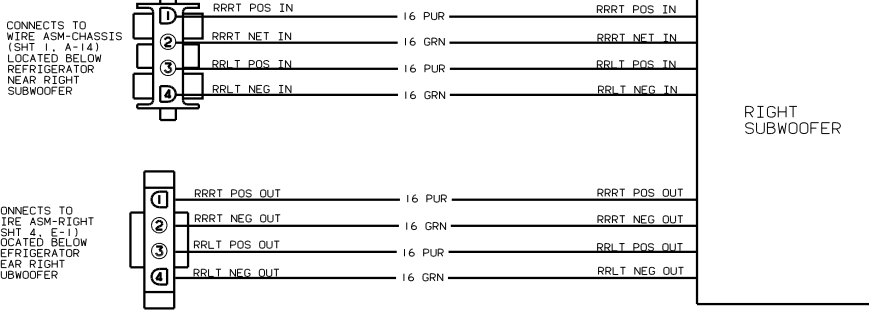
99 Q38K/KD

TITLE: WIRING DIAGRAM-BODY_12V	
NO. OF SHEETS	TOTAL SHEETS
SHEET 7 OF 11	128792

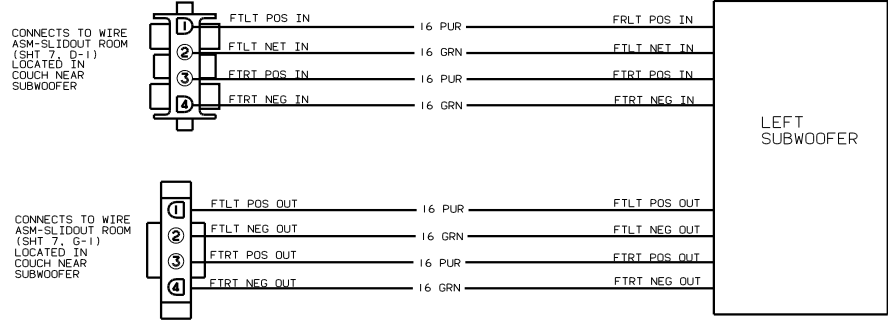


99 038K/KD

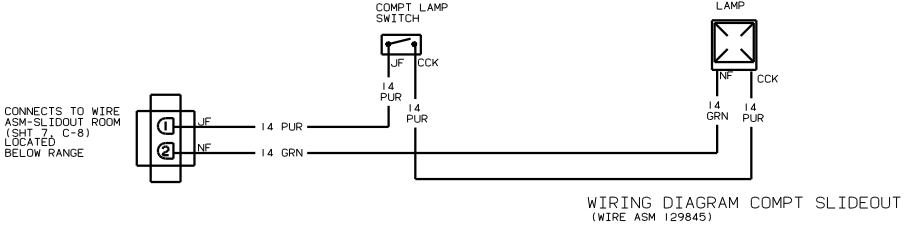
TITLE: WIRING DIAGRAM-BODY_12V	
NO. OF SHEETS: 8	SHEET NO. 8 OF 11
REV. NO. 1	DATE 128792



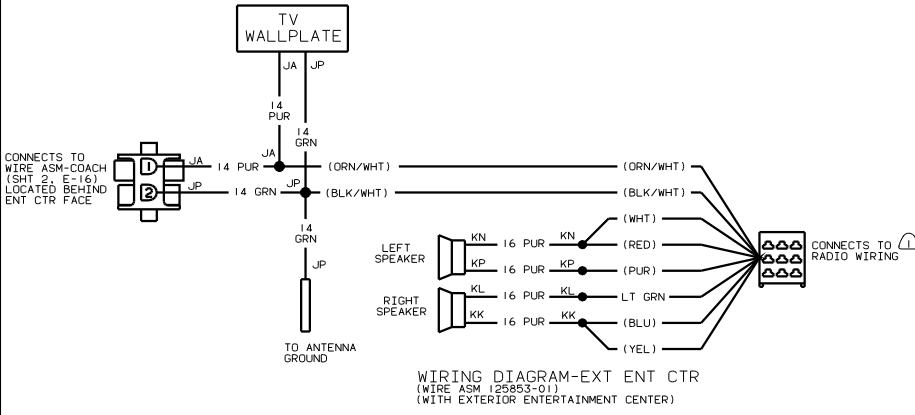
WIRING DIAGRAM SUBWOOFER RIGHT
(WIRE ASM 129724)



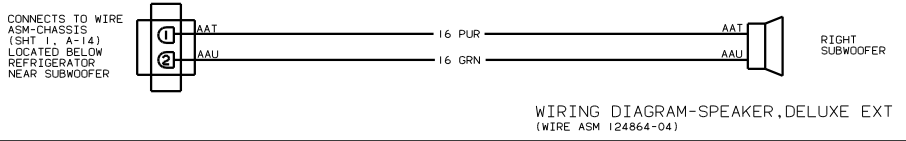
WIRING DIAGRAM SUBWOOFER LEFT
(WIRE ASM 129725)



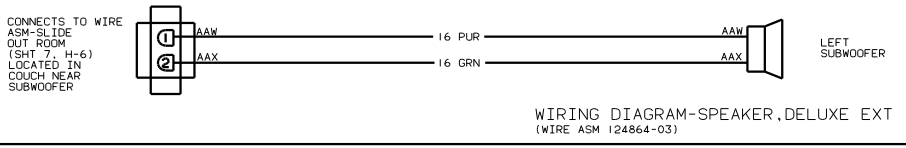
WIRING DIAGRAM COMPT SLIDEOUT
(WIRE ASM 129845)



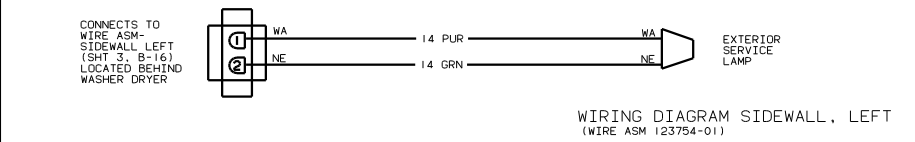
WIRING DIAGRAM-EXT ENT CTR
(WIRE ASM 125853-01)
(WITH EXTERIOR ENTERTAINMENT CENTER)



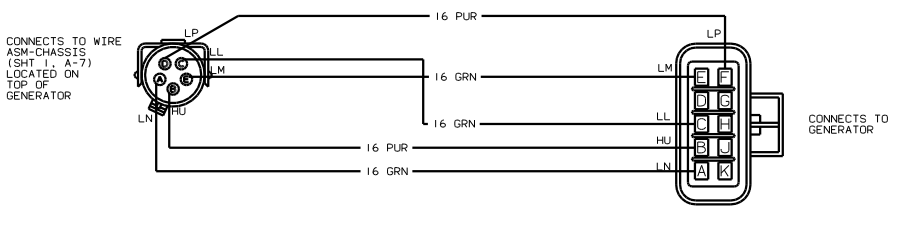
WIRING DIAGRAM-SPEAKER, DELUXE EXT
(WIRE ASM 124864-04)



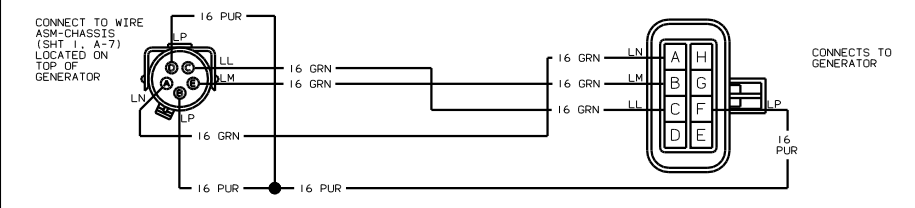
WIRING DIAGRAM-SPEAKER, DELUXE EXT
(WIRE ASM 124864-03)



WIRING DIAGRAM SIDEWALL, LEFT
(WIRE ASM 123754-01)

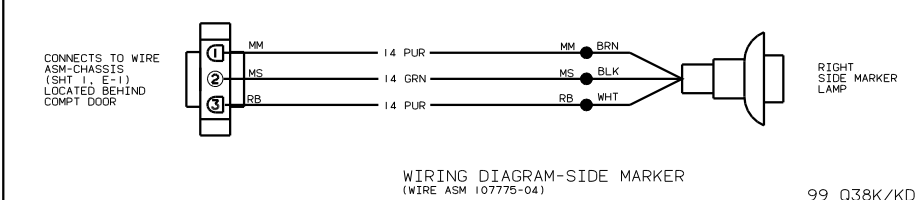
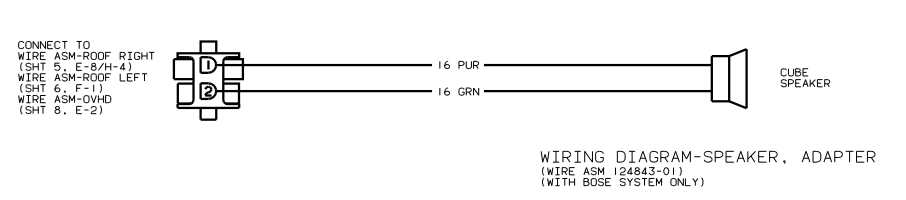
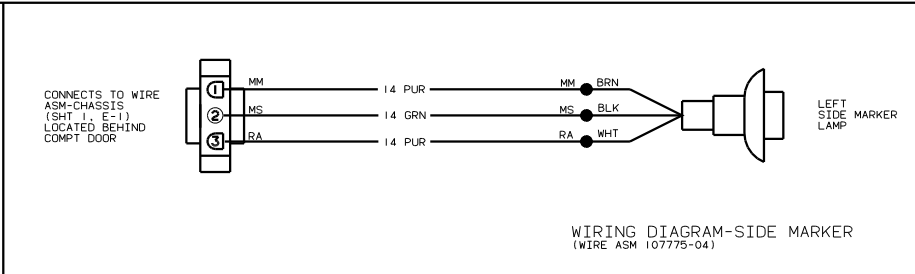
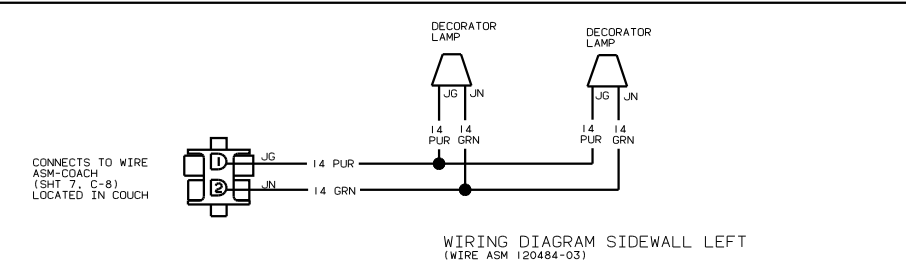
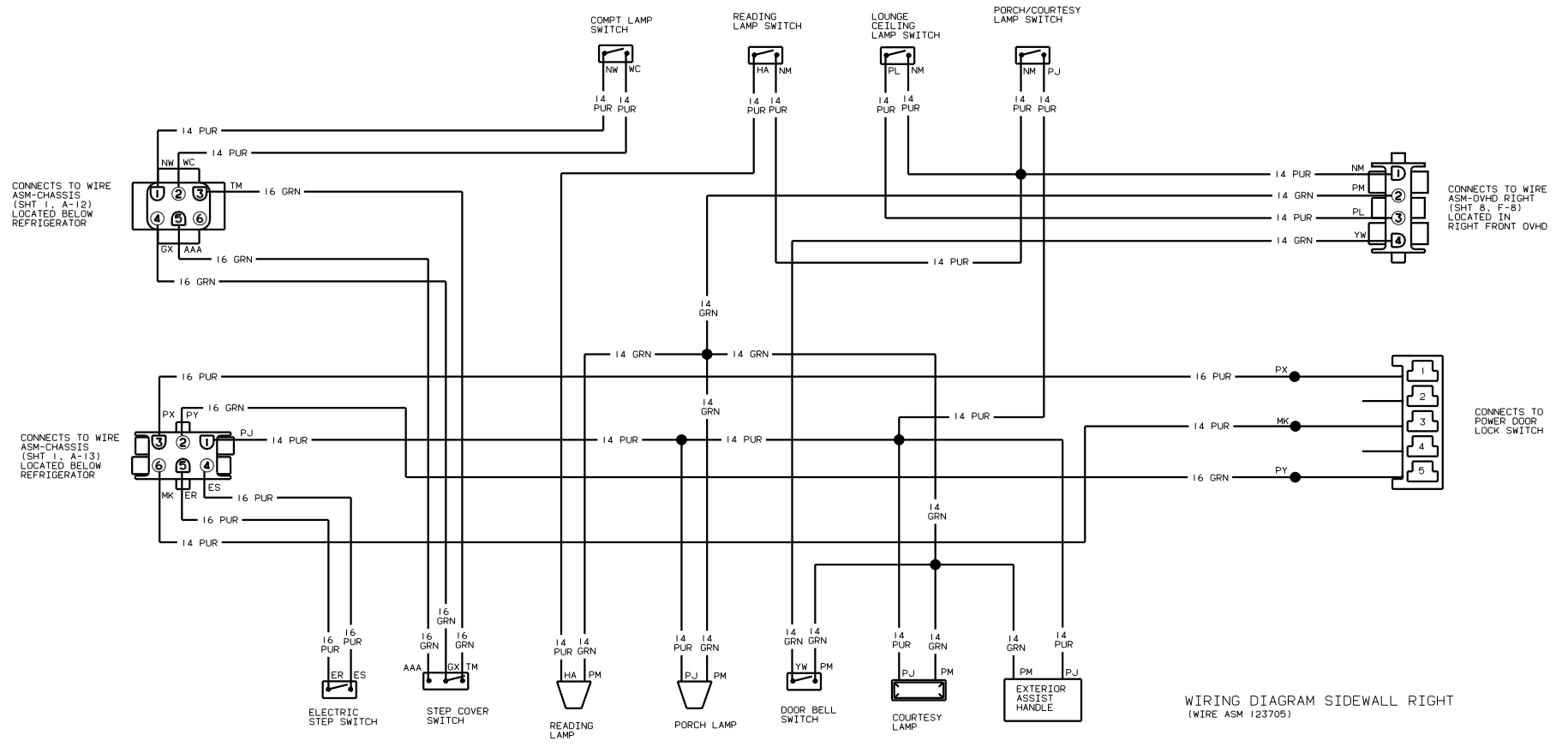


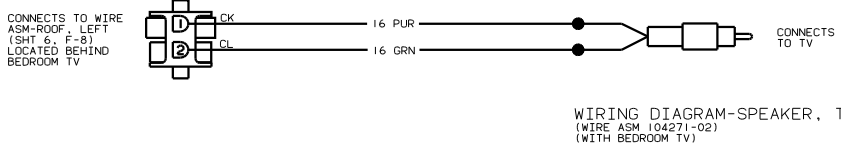
WIRING DIAGRAM-GEN ADAPTER, DIESEL
(WIRE ASM 130332-02)
(WITH DIESEL GENERATOR)



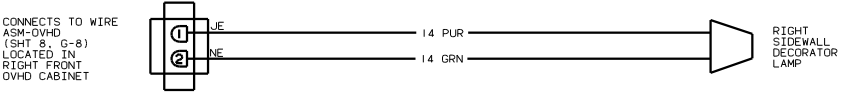
WIRING DIAGRAM-GENERATOR ADAPTER, LP
(WIRE ASM 130332-01)
(WITH LP GENERATOR)

99 Q38K/KD

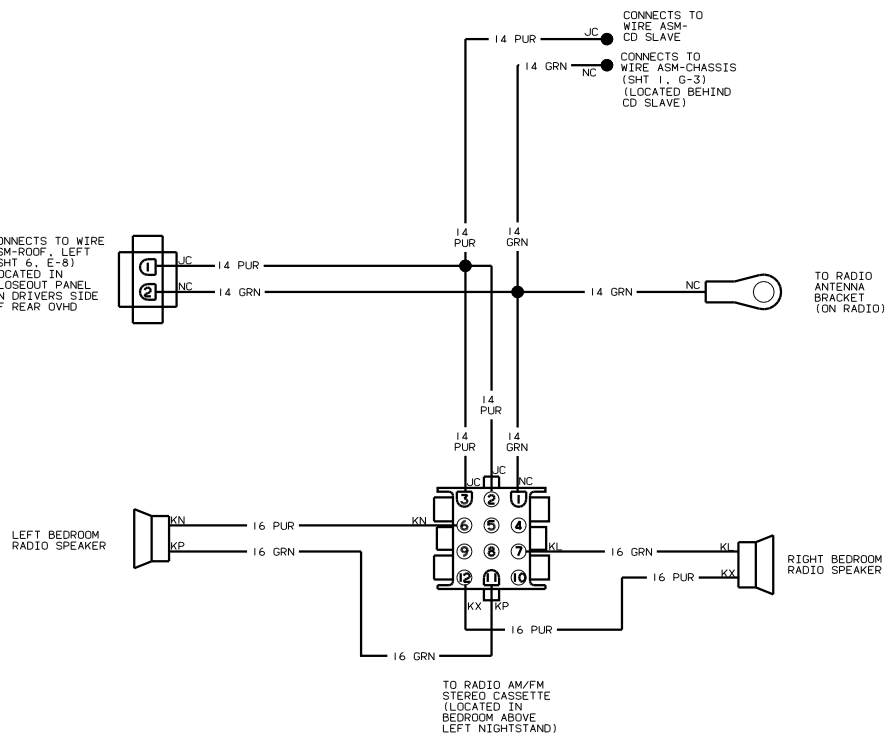




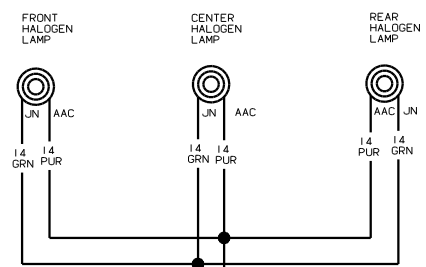
WIRING DIAGRAM-SPEAKER, TV
(WIRE ASM 104271-02)
(WITH BEDROOM TV)



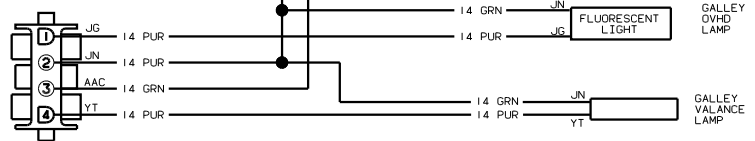
WIRING DIAGRAM-SIDEWALL, RIGHT
(WIRE ASM 93051-10)



WIRING DIAGRAM-REAR STEREO
(WIRE ASM 124336-08)
(WITH REAR STEREO)



CONNECTS TO WIRE ASM-SLIDEOUT (SHT 7, B-8) (IN GALLEY CABT)



WIRING DIAGRAM-OVHD
(WIRE ASM 131858)