



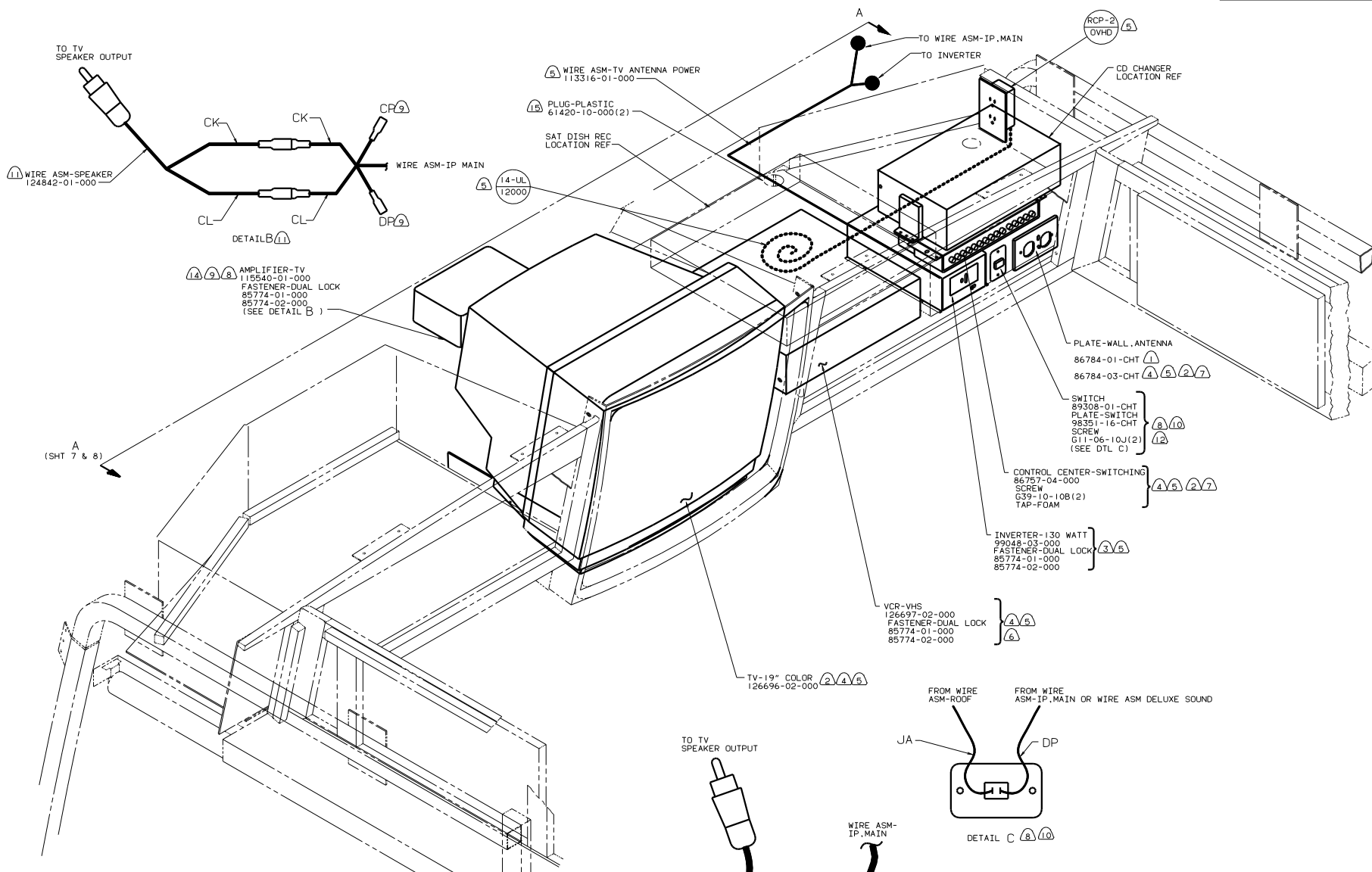
**DANGER**

**Danger of electrical shock, burns or death.** Always remove all power sources before attempting any repair, service or diagnostic work. Power can be present from shore power, generator, inverter or battery. All power sources must be disabled and secured before performing any service.



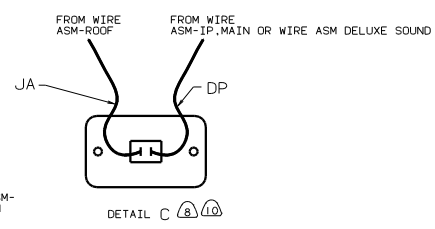
**CAUTION**

If you lack the skills, tools or equipment to perform diagnostic or repair work leave such work to an authorized Winnebago Industries dealer or other qualified shop.

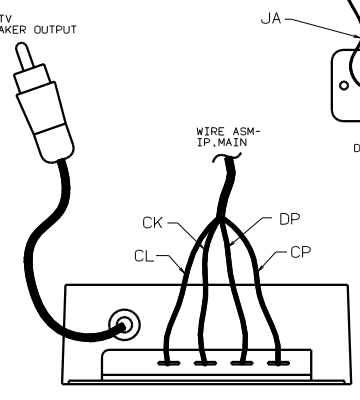


- ⑩ USED ON F & G-SERIES WITH 21V SOUND SYSTEM-DLX.
- ⑨ NOT USED WITH 21V SOUND SYSTEM-DLX.
- ⑧ STANDARD ON L-SERIES
- ⑦ 02T EXPORT TV/VCR PREP W/VIDEO SELECTION SYSTEM.
- ⑥ 72H VCR W/REMOTE.
- ⑤ 40Q TV-19", VCR, INVERTER & ANTENNA. (COIL EXCESS 110V WIRE IN OVHD)
- ④ 210 TV-19" W/VCR/SWITCHING SYSTEM.
- ③ 40F INVERTER-DC/AC, 130W.
- ② 42T TV-19" FRT SW-SYS.
- ① 193 TV ANTENNA.

- ⑮ SLIT AS NEEDED TO RUN WIRES.
- ⑭ NOT USED ON F & G SERIES.
- 13 WHERE WIRES PASS THROUGH HOLES IN STEEL AND ARE NOT OTHERWISE PROTECTED, USE GROMMET 92908-02-000.
- ⑫ REMOVE VINYL FROM CUT OUT AT INSTALLATION.
- ⑪ USED ON L SERIES WITH 21V SOUND SYSTEM-DLX.



DETAIL C ⑧ ⑩



DETAIL B ④ ⑨ ⑬

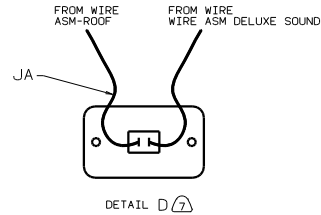
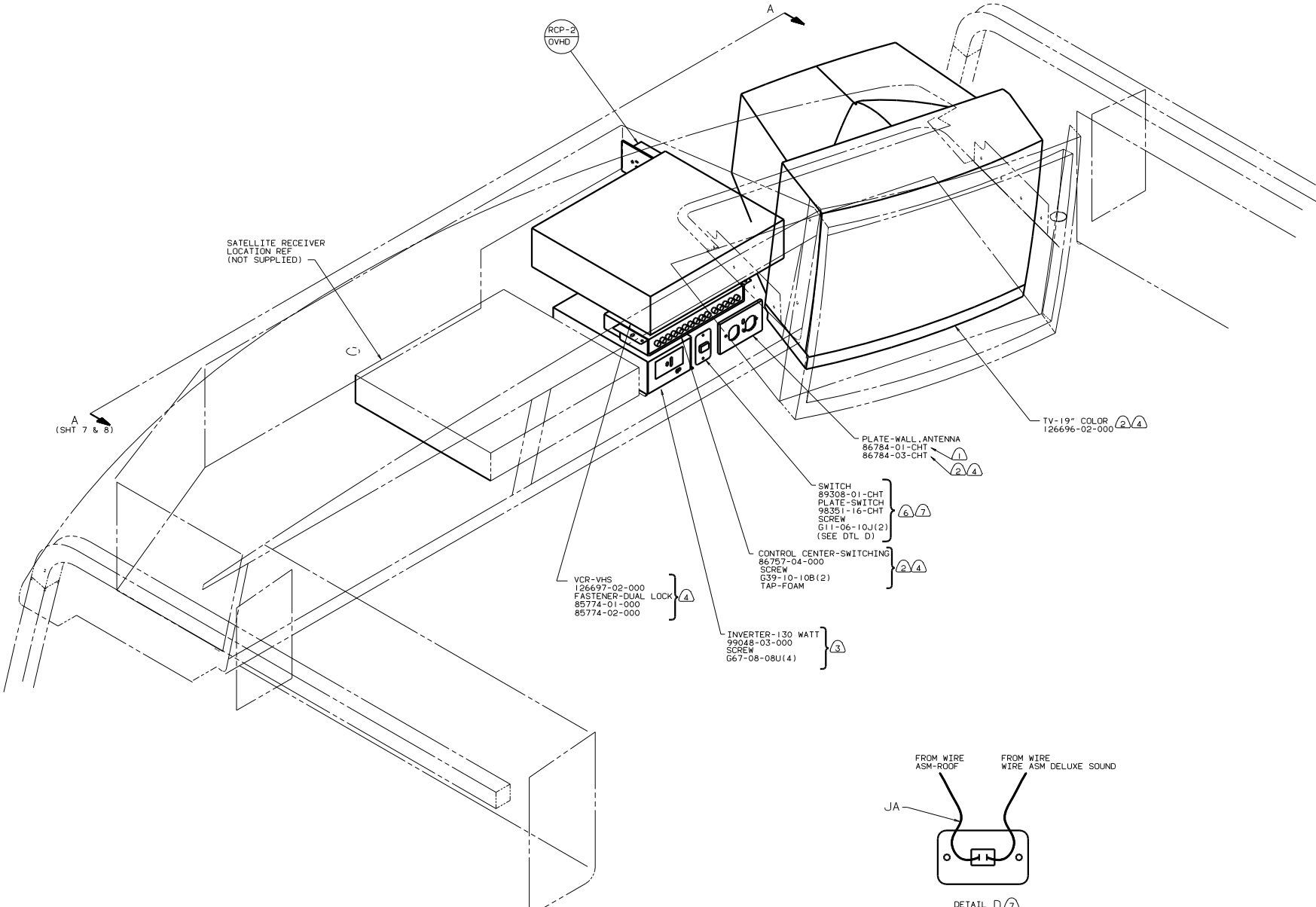
99 F-SERIES  
 99 L-SERIES  
 99 G-SERIES  
 EXCEPT  
 99 G34V

FOR ELECTRICAL CALLOUTS SEE DWG NO. 121339-01-000

**WINNEBAGO** 99 A-BODIES

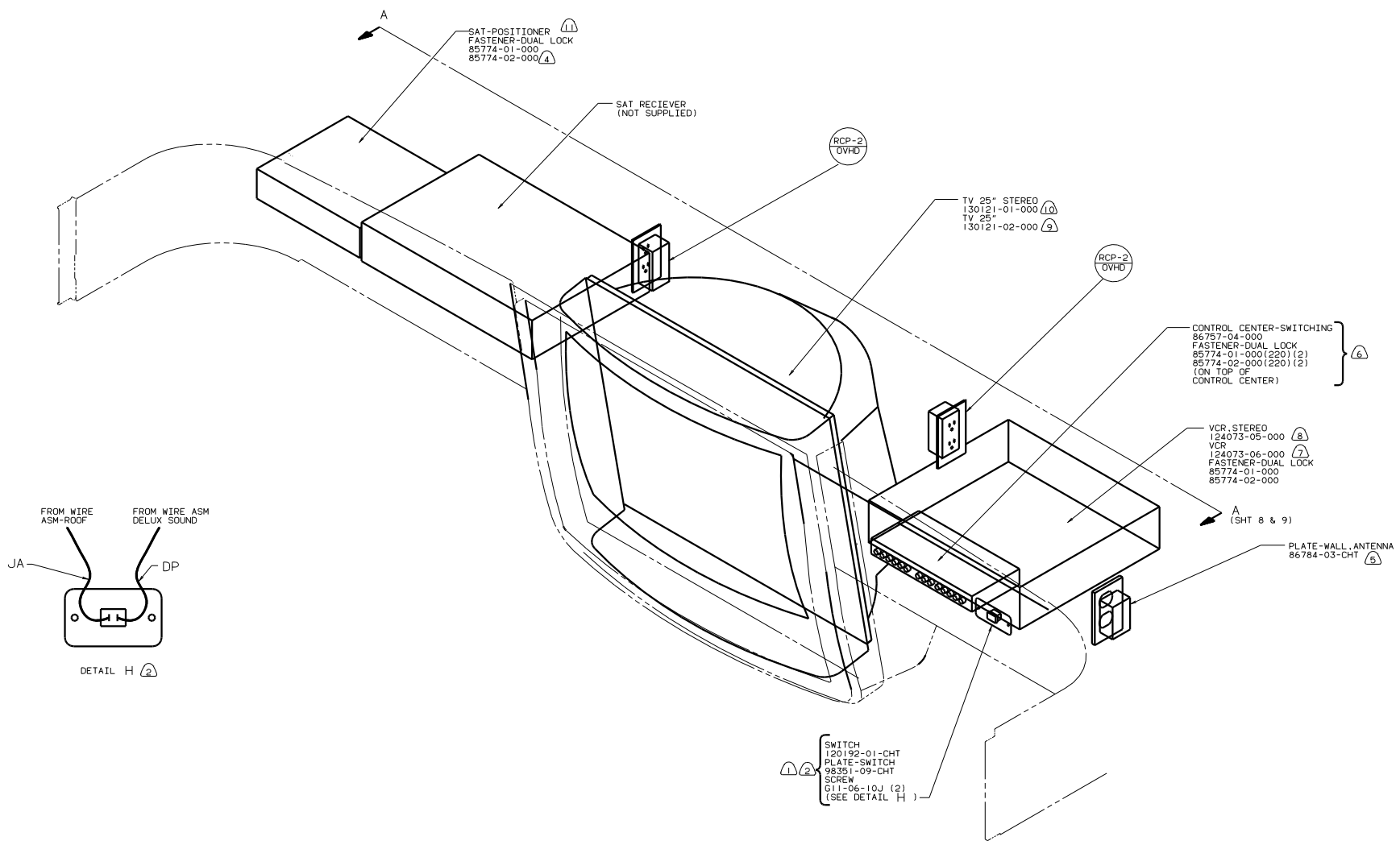
OF IN	DATE	UNSPECIFIED TOLERANCES ARE:	MATERIAL
CHP	DATE	ONE-DIGIT (1X.X1)	
TYPE	DATE	TWO-DIGIT (1X.XX)	
D/E	DATE	THREE-DIGIT (1X.XXX)	
DATE	DATE	ANGLES	
DATE	DATE	INDIC. W/ANGLE	
DATE	DATE	PROJECTION	

DRW # \_\_\_\_\_ TITLE: WIRING INSTL - TV/VCR FRONT  
 SCA: \_\_\_\_\_ DATE: \_\_\_\_\_ BY: \_\_\_\_\_  
 ALL DIMENSIONS ARE IN MILLIMETERS SHEET 1 OF 10 DWG NO. 128581



- ⑦ 21V SOUND SYSTEM-DLX.
- ⑥ REMOVE VINYL FROM CUT OUT AT INSTALLATION.
- ⑤ WHERE WIRES PASS THRU HOLES IN STEEL AND ARE NOT OTHERWISE PROTECTED, USE GROMMET 92908-02-000
- ④ 210 TV-19" W/VCR/SWITCHING SYSTEM.
- ③ 40F INVERTER-DC/AC, 130W.
- ② 42T TV-19" FRT SW-SYS.
- ① 193 TV ANTENNA.

FOR ELECTRICAL CALLOUTS SEE DWG NO. 121339-01-000

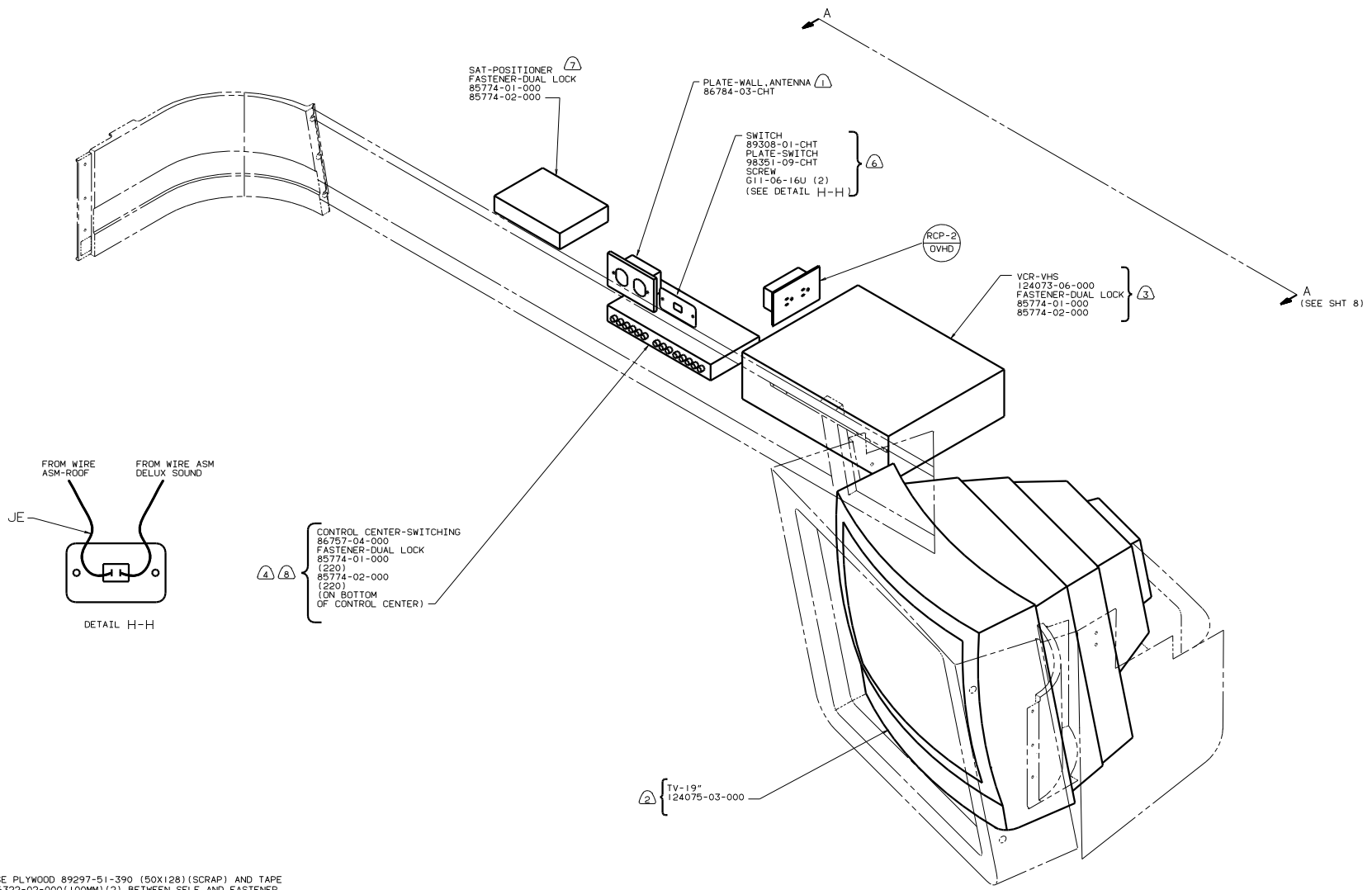


- (1) 78K SATELLITE DISH POWER.
- (10) 42Z TV-25" COLOR STEREO
- (9) 42R TV, 25".
- (8) 72M VCR, STEREO.
- (7) 72 H VCR.
- (6) 35P VIDEO SELECTION SWITCH.
- (5) 193 TV ANTENNA.
- (4) SEE WIRING INSTL-BODY FOR ADDITIONAL INFORMATION.
- 3. WHERE WIRES PASS THROUGH HOLES IN STEEL AND ARE NOT OTHERWISE PROTECTED, USE GROMMET 92908-02-000.
- (2) NOT USED WITH 38KD AND 40JD.
- (1) REMOVE VINYL FROM CUTOUT AT INSTALLATION.

NOTES:

(X-X)	FOR
	ELECTRICAL
	CALLOUTS
SEE DWG NO.	
121339-01-000	

99 Q-SERIES	
WIRING INSTL-TV/VCR FRONT	
SHEET 3 OF 10	128581

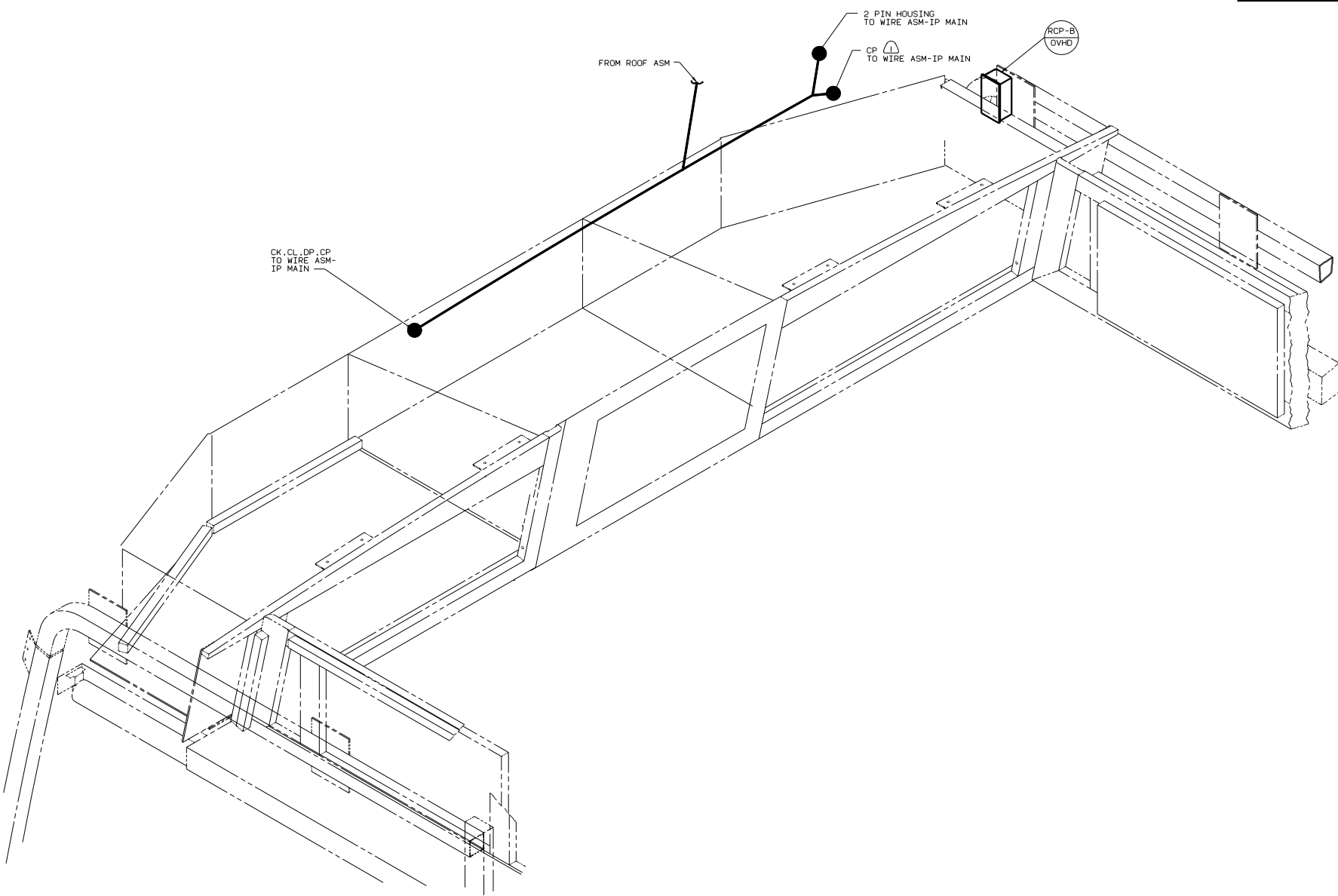


- ⑧ USE PLYWOOD 89297-51-390 (50X128) (SCRAP) AND TAPE 76322-02-000(100MM)(2) BETWEEN SELF AND FASTENER DUAL-LOCK TO MAKE UP REQUIRED THICKNESS
- ⑦ 78K SATELLITE DISH POWER.
- ⑥ REMOVE VINYL FROM CUTOUT AT INSTALLATION.
- 5. WHERE WIRES PASS THROUGH HOLES IN STEEL AND ARE NOT OTHERWISE PROTECTED, USE GROMMET 92908-02-000.
- ④ 35P VIDEO SELECTION SWITCH.
- ③ 72H VCR W/REMOTE.
- ② 420 19" TV, FRT.
- ① 193 TV ANTENNA

NOTES:

X-X  
FOR ELECTRICAL CALLOUTS SEE DWG NO. 121339-01-000

99 M-SERIES  
WIRING INSTL - TV/VCR FRONT  
SHEET 4 of 10



CK-CL-DP TO WIRE ASM-IP MAIN

FROM ROOF ASM

2 PIN HOUSING TO WIRE ASM-IP MAIN

CP TO WIRE ASM-IP MAIN

RCP-B OVHD

REMOVE TERMINALS FROM IP-MAIN AND CONNECT TO WIRE ASM-ROOF.

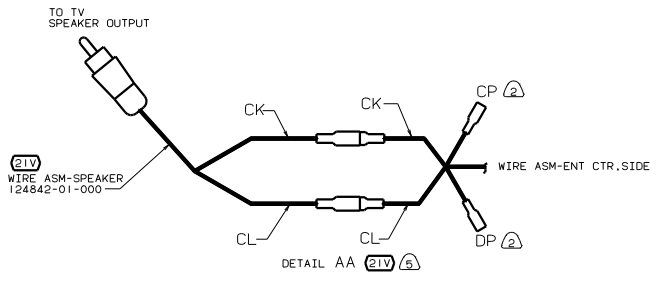
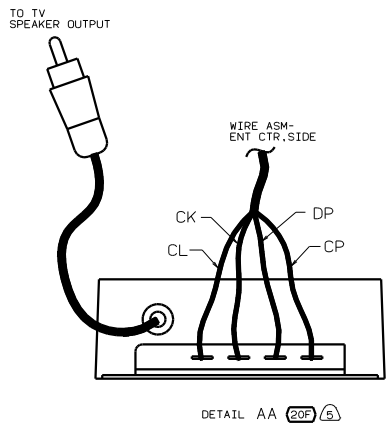
NOTES:

FOR ELECTRICAL CALLOUTS SEE DWG NO. 121339-01-000

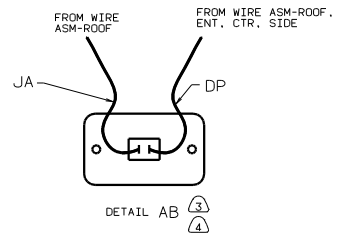
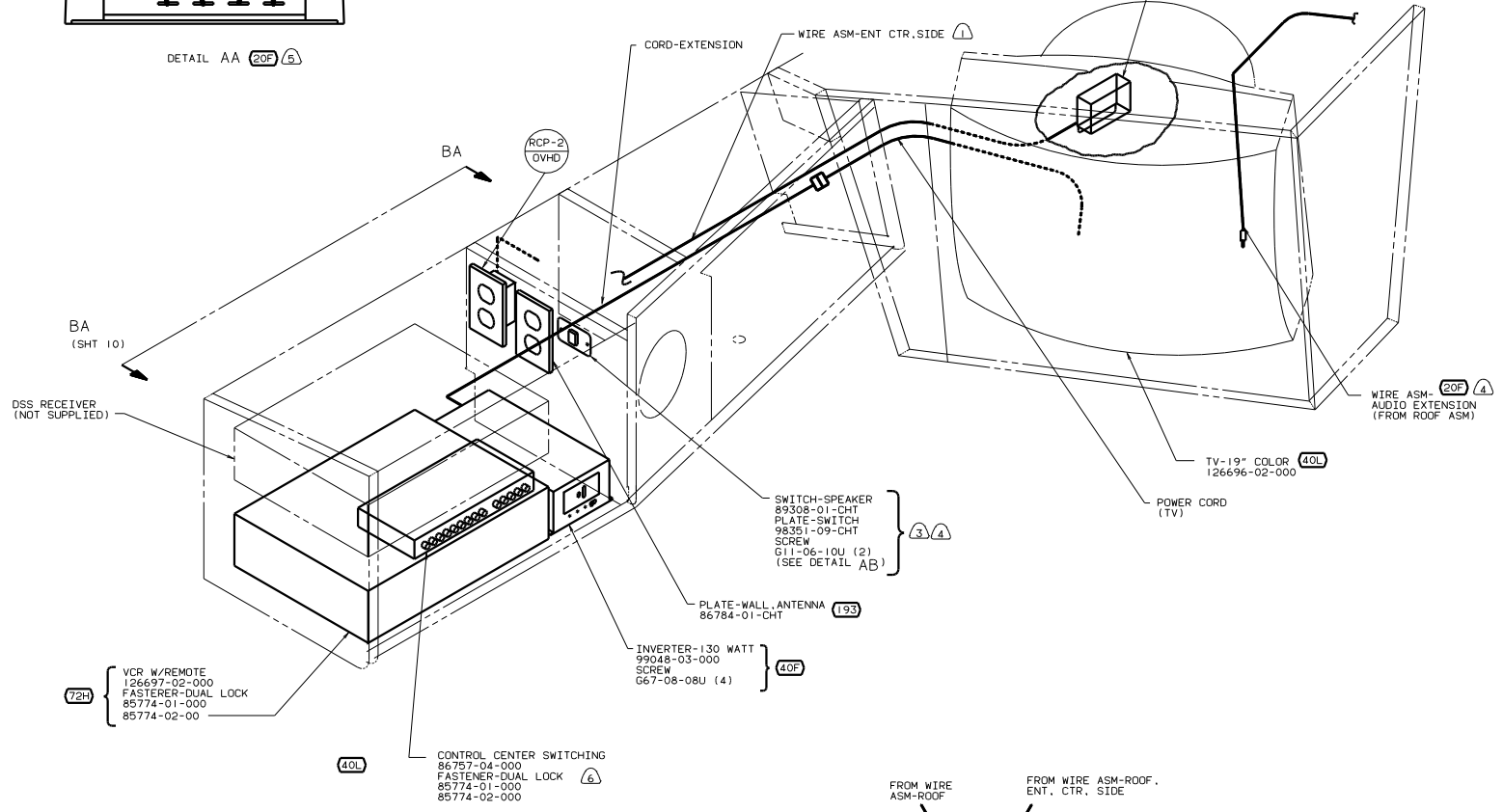
40L TV-19" DINETTE SWITCHING SYS

99 G-SERIES  
99 L-SERIES

TITLE: WIRING INSTL-IV/VCR SIDE	
NO. OF SHEETS: 5	SHEET NO: 5
REV: 1	REV NO: 1
DWG NO: 128581	



AMPLIFIER-TV 115540-01-000  
SCREW 667-08-12U (2)  
(SEE DETAIL AA) (20F) (5)



- (6) USE PLYWOOD 89297-51-390 (50X128) (SCRAP) AND TAPE 76322-02-000(100MM) (2) BETWEEN SELF AND FASTENER DUAL-LOCK TO MAKE UP REQUIRED THICKNESS
- (5) L-SERIES.
- (4) G-SERIES.
- (3) NOT USED WITH (20F)
- (2) NOT USE WITH (21V)
- (1) SEE WIRING INSTL-BODY FOR ADDITIONAL INFORMATION.

- (21V) SOUND SYSTEM-DELUXE
- (72H) VCR
- (40L) TV-19" DINETTE SWITCHING SYS
- (40F) INVERTER-DC/AC 130W
- (20F) DELUXE SOUND SYSTEM W/O
- (193) TV ANTENNA

FOR ELECTRICAL CALLOUTS SEE DWG NO. 121339-01-000

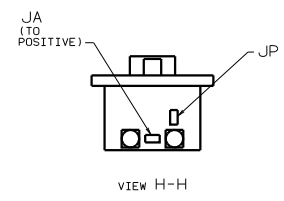
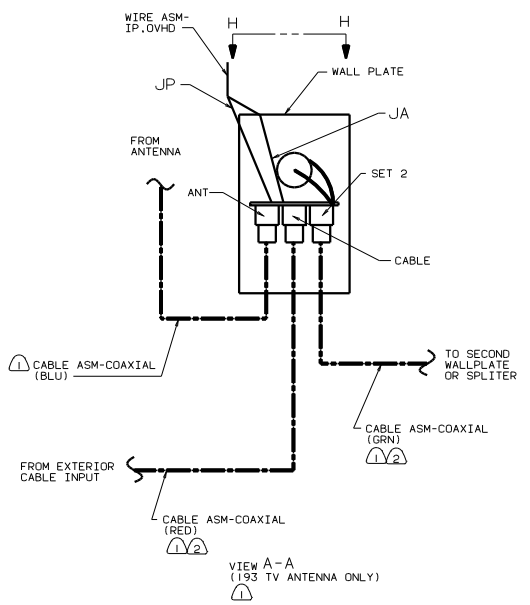
99 L-SERIES 99 G-SERIES

TITLE: WIRING INSTL-TV/VCR SIDE

NO. OF SHEETS: 6 OF 10

DATE: 11/85

DWG NO: 128581



② NOT USED ON SHELL.

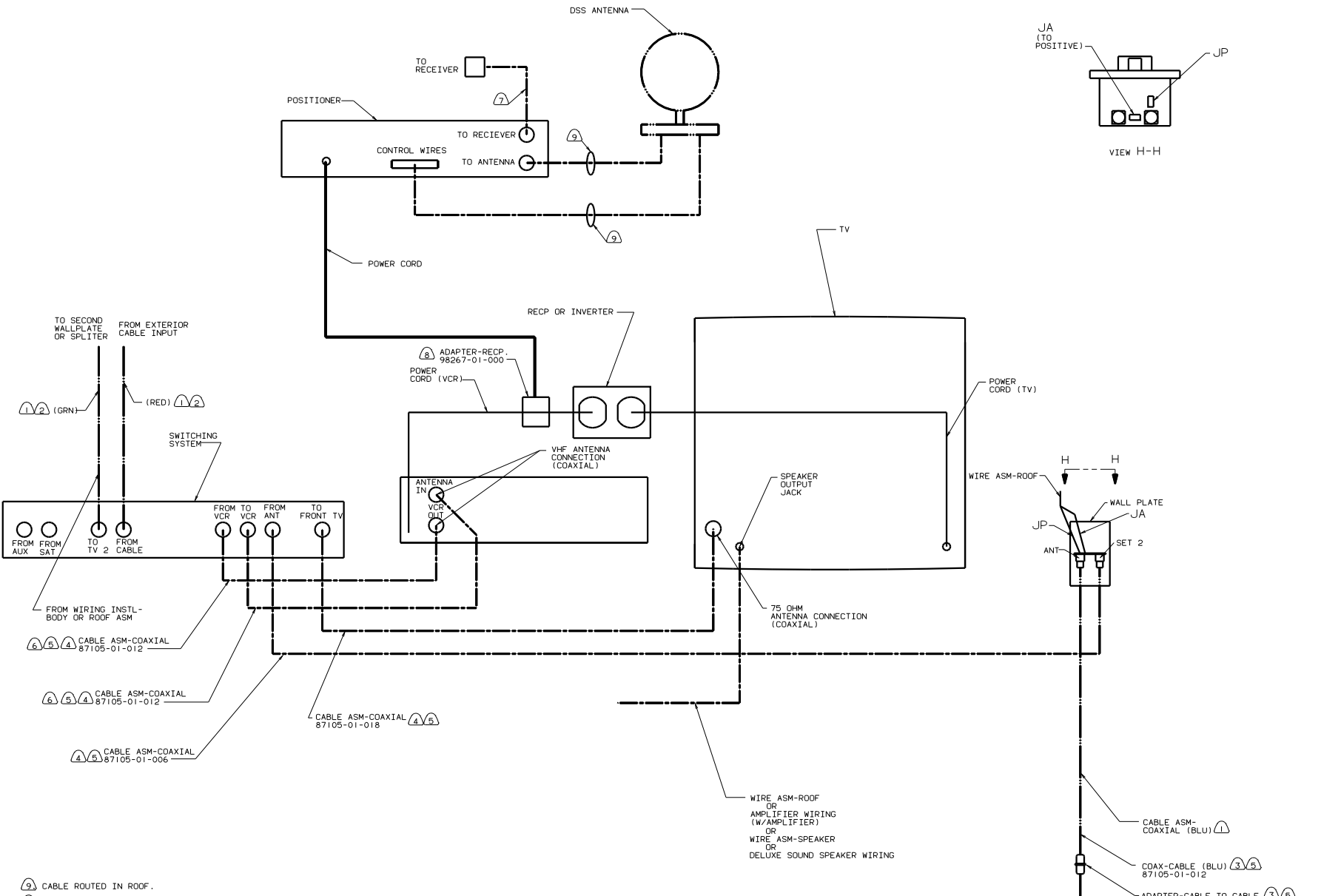
① CABLE ASM MARKED WITH COLORED TAPE AS INDICATED.

NOTES:

99 G-SERIES  
99 F-SERIES

TITLE		128581	
WIRING INSTL-TV/VCR FRONT			
NO. OF SHEETS	TOT. SHEETS	REV.	DATE
7	10	1E	



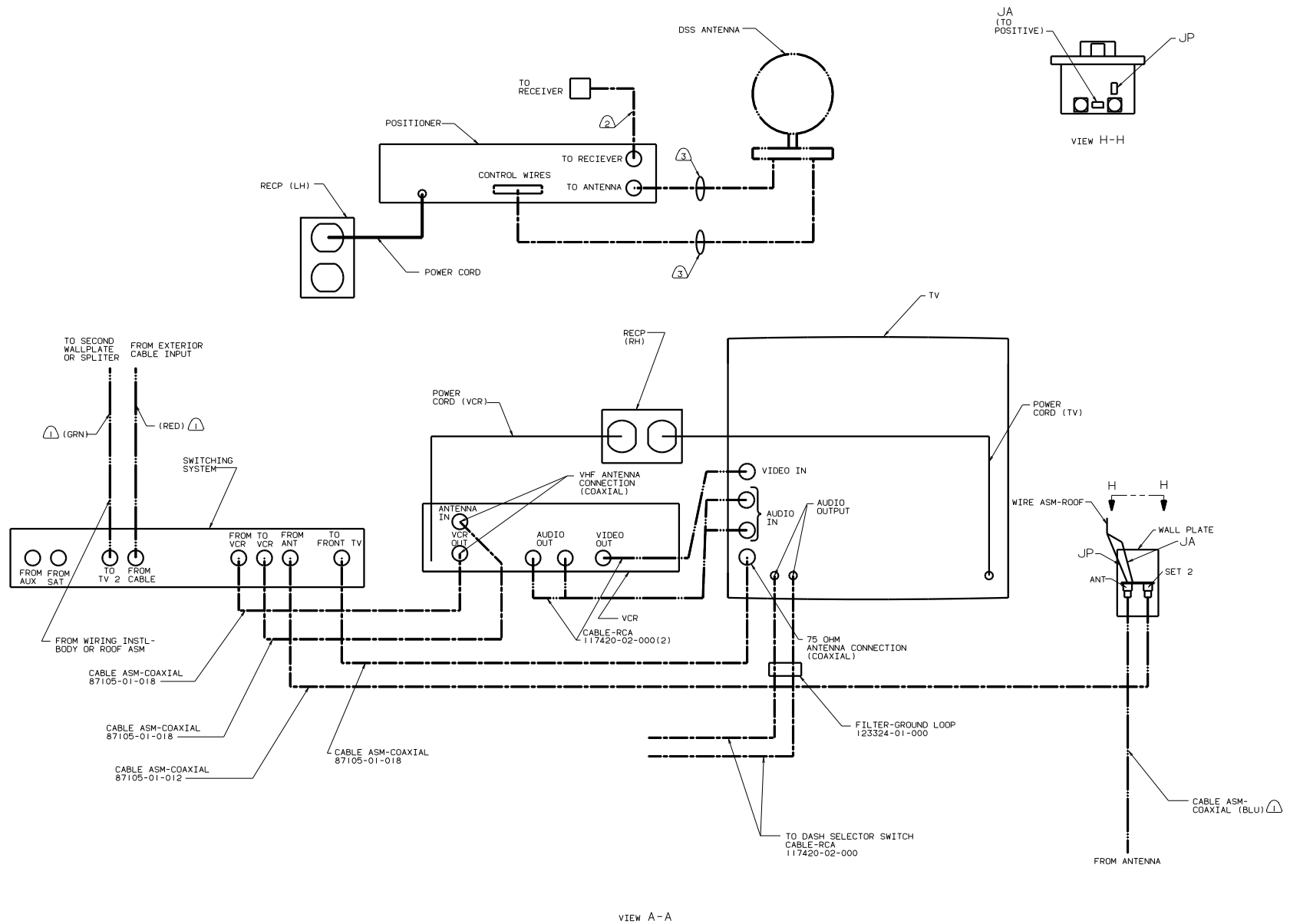


- ⑨ CABLE ROUTED IN ROOF.
- ⑧ 78K SATELLITE DISH POWER.
- ⑦ SUPPLIED WITH AUTOMATIC SATELLITE ANTENNA.
- ⑥ WITH 72H VCR W/REMOTE ONLY.
- ⑤ WITH 400 TV-19" VCR, INVERTER & ANTENNA ONLY.
- ④ WITH 210 TV-19" W/VCR/SWITCHING SYSTEM OR 420 TV-19" OR 42T TV-19" FRT & SW-SYS \* 35P VIDEO SELECTOR SWITCH ONLY.
- ③ USE WITH SHELL ONLY.
- ② NOT USED ON SHELL.
- ① CABLE ASM MARKED WITH COLORED TAPE.

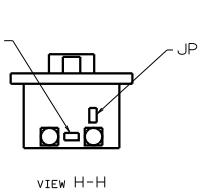
VIEW A-A

42T TV-19" FRT & SW-SYS  
 210 TV-19" W/VCR/SWITCHING SYSTEM  
 400 TV-19" VCR, INVERTER & ANTENNA  
 72H VCR W/REMOTE  
 35P VIDEO SELECTION SWITCH  
 420 TV-19"

TITLE		WIRING INSTL-TV/VCR FRONT	
NO	REV	DATE	BY
8	1		
SHEET 8 OF 10		128581	



VIEW A-A

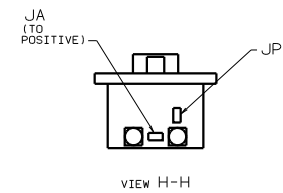
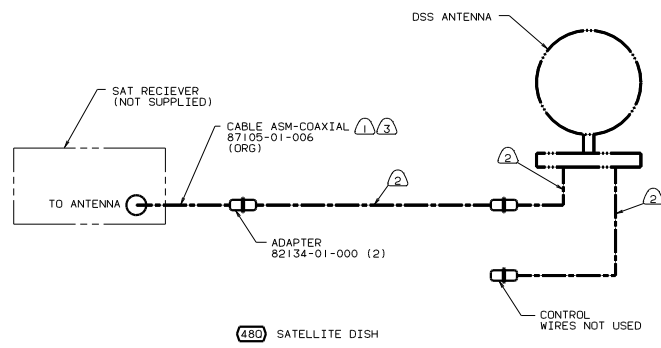


- ③ CABLE ROUTED IN ROOF.
- ② SUPPLIED WITH AUTOMATIC SATELLITE ANTENNA.
- ① CABLE ASM MARKED WITH COLORED TAPE.

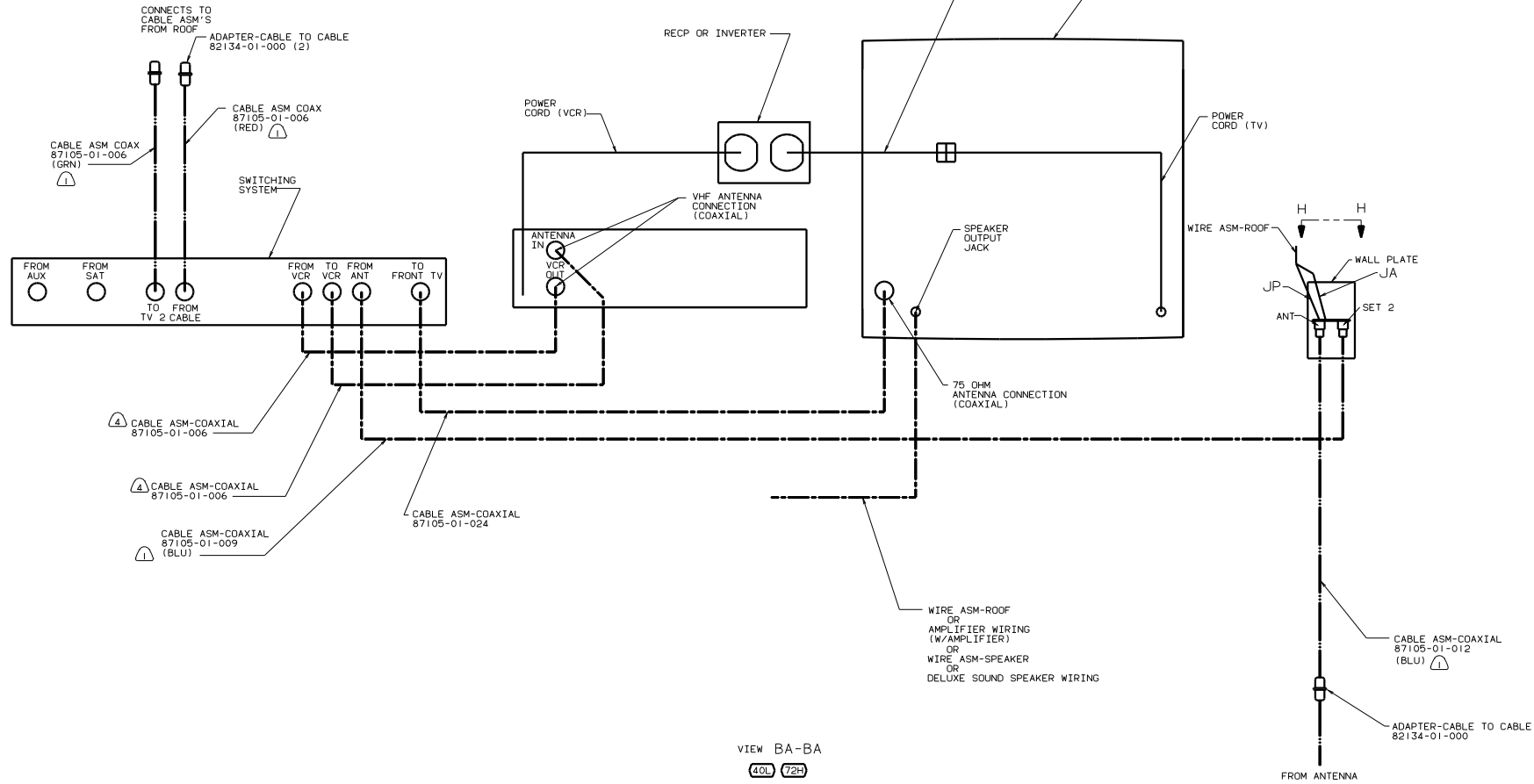
NOTES:

99 Q36, Q38 & Q40

TITLE		WIRING INSTL-TV/VCR FRONT	
NO. OF SHEETS	1	TOT. SHEETS	1
SHEET NO.	9 OF 10	REV.	1E
		128581	



480 SATELLITE DISH



VIEW BA-BA  
40L 72H

- NOTES:
- ④ WITH 72H VCR.
  - ③ CABLE ASM- TO BE PROVIDED WITH OR WITHOUT 480
  - ② WIRES IN ROOF ASM.
  - ① CABLE ASM MARKED WITH COLORED TAPE.

- 72H VCR
- 480 SATELLITE DISH
- 40L TV-19" DINETTE SWITCHING SYS

TITLE		WIRING INSTL-TV/VCR SIDE	
NO	REV	DATE	BY
1	1		
SHEET 10 OF 10		128581	