



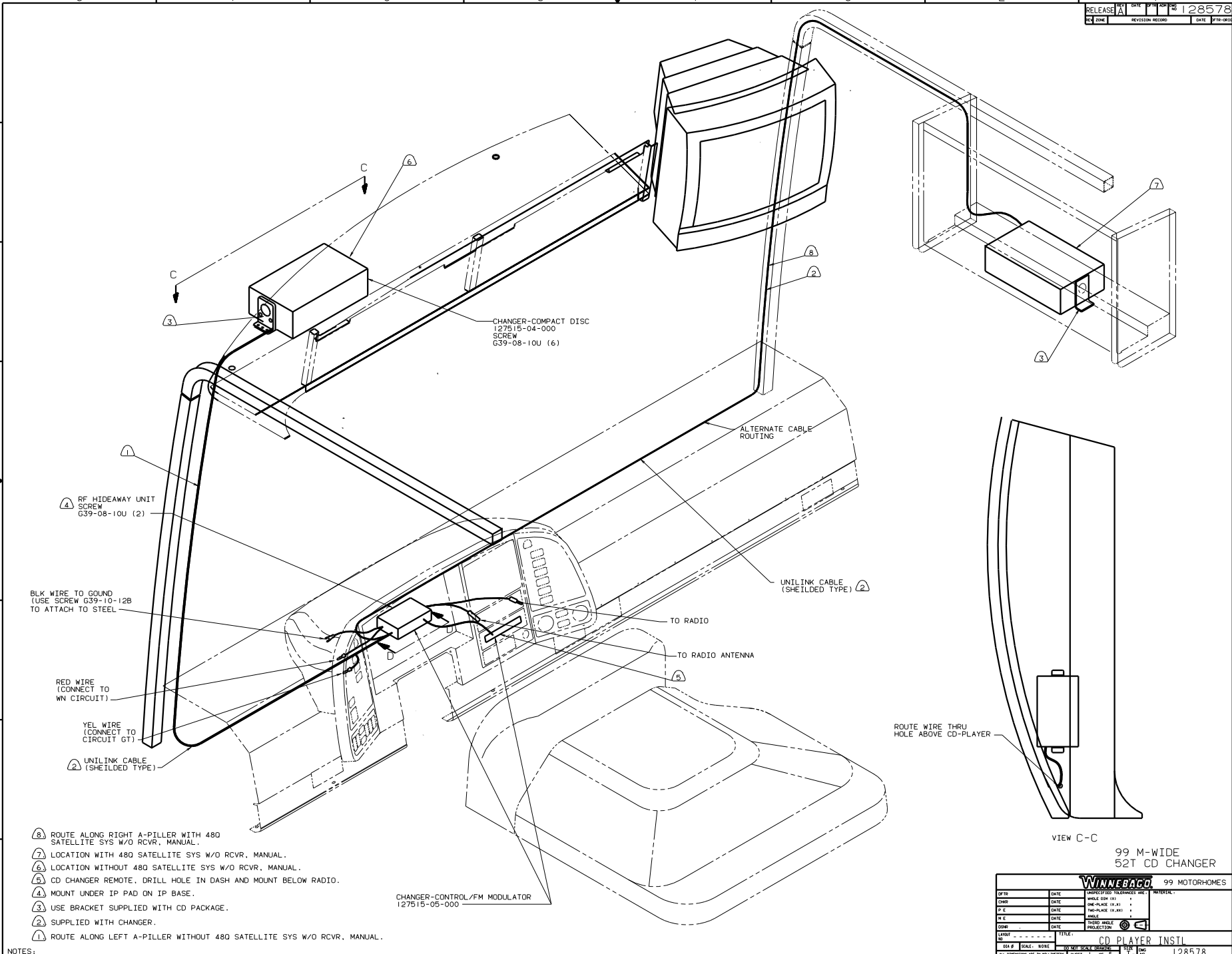
DANGER

Danger of electrical shock, burns or death. Always remove all power sources before attempting any repair, service or diagnostic work. Power can be present from shore power, generator, inverter or battery. All power sources must be disabled and secured before performing any service.



CAUTION

If you lack the skills, tools or equipment to perform diagnostic or repair work leave such work to an authorized Winnebago Industries dealer or other qualified shop.



RF HIDEAWAY UNIT SCREW G39-08-10U (2)

BLK WIRE TO GROUND (USE SCREW G39-10-12B TO ATTACH TO STEEL)

RED WIRE (CONNECT TO WN CIRCUIT)

YEL WIRE (CONNECT TO CIRCUIT GT)

UNLINK CABLE (SHIELDED TYPE)

CHANGER-COMPACT DISC 127515-04-000 SCREW G39-08-10U (6)

ALTERNATE CABLE ROUTING

UNLINK CABLE (SHIELDED TYPE)

TO RADIO

TO RADIO ANTENNA

ROUTE WIRE THRU HOLE ABOVE CD-PLAYER

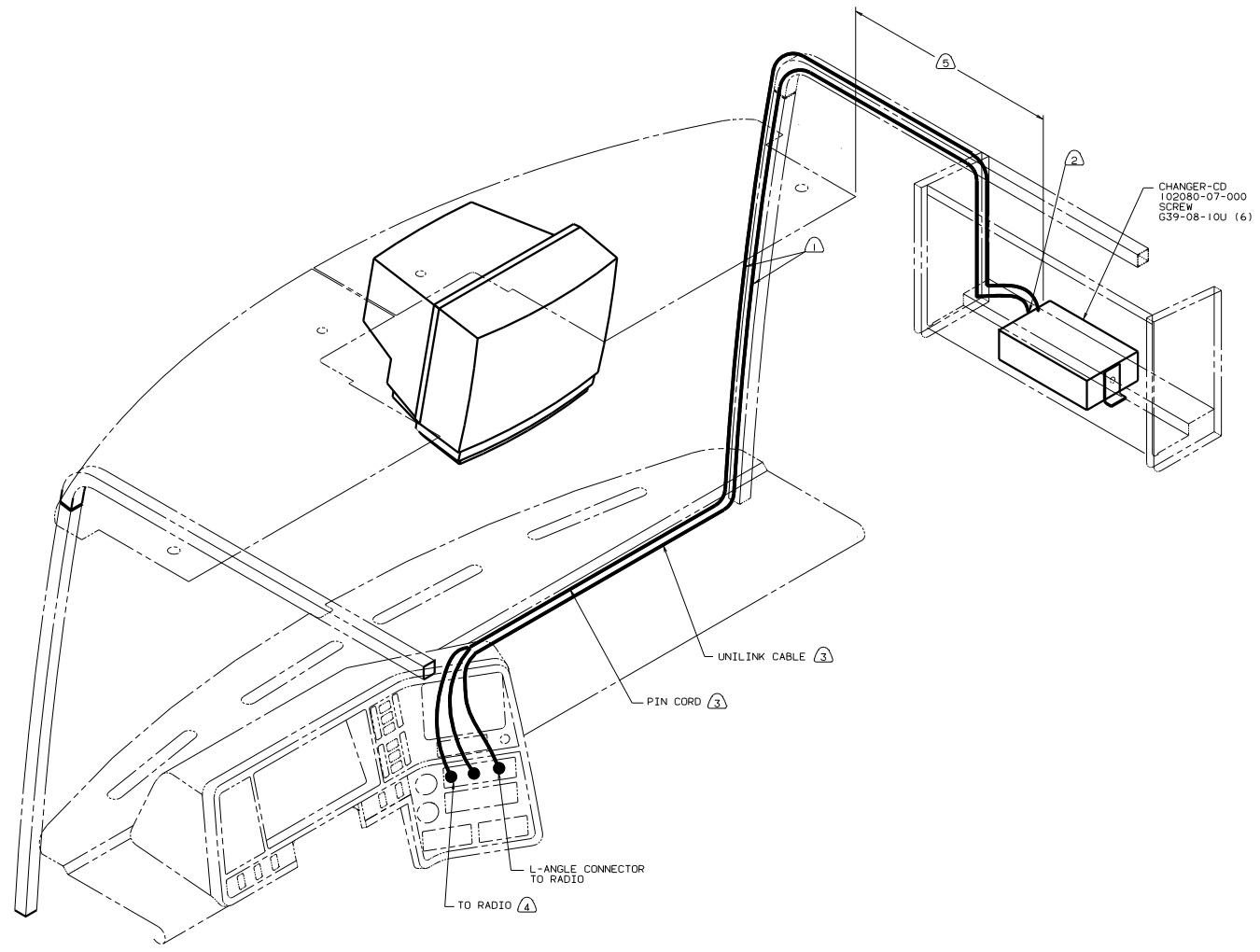
VIEW C-C

99 M-WIDE 52T CD CHANGER

- 8 ROUTE ALONG RIGHT A-PILLAR WITH 480 SATELLITE SYS W/O RCVR. MANUAL.
- 7 LOCATION WITH 480 SATELLITE SYS W/O RCVR. MANUAL.
- 6 LOCATION WITHOUT 480 SATELLITE SYS W/O RCVR. MANUAL.
- 5 CD CHANGER REMOTE. DRILL HOLE IN DASH AND MOUNT BELOW RADIO.
- 4 MOUNT UNDER IP PAD ON IP BASE.
- 3 USE BRACKET SUPPLIED WITH CD PACKAGE.
- 2 SUPPLIED WITH CHANGER.
- 1 ROUTE ALONG LEFT A-PILLAR WITHOUT 480 SATELLITE SYS W/O RCVR. MANUAL.

CHANGER-CONTROL/FM MODULATOR 127515-05-000

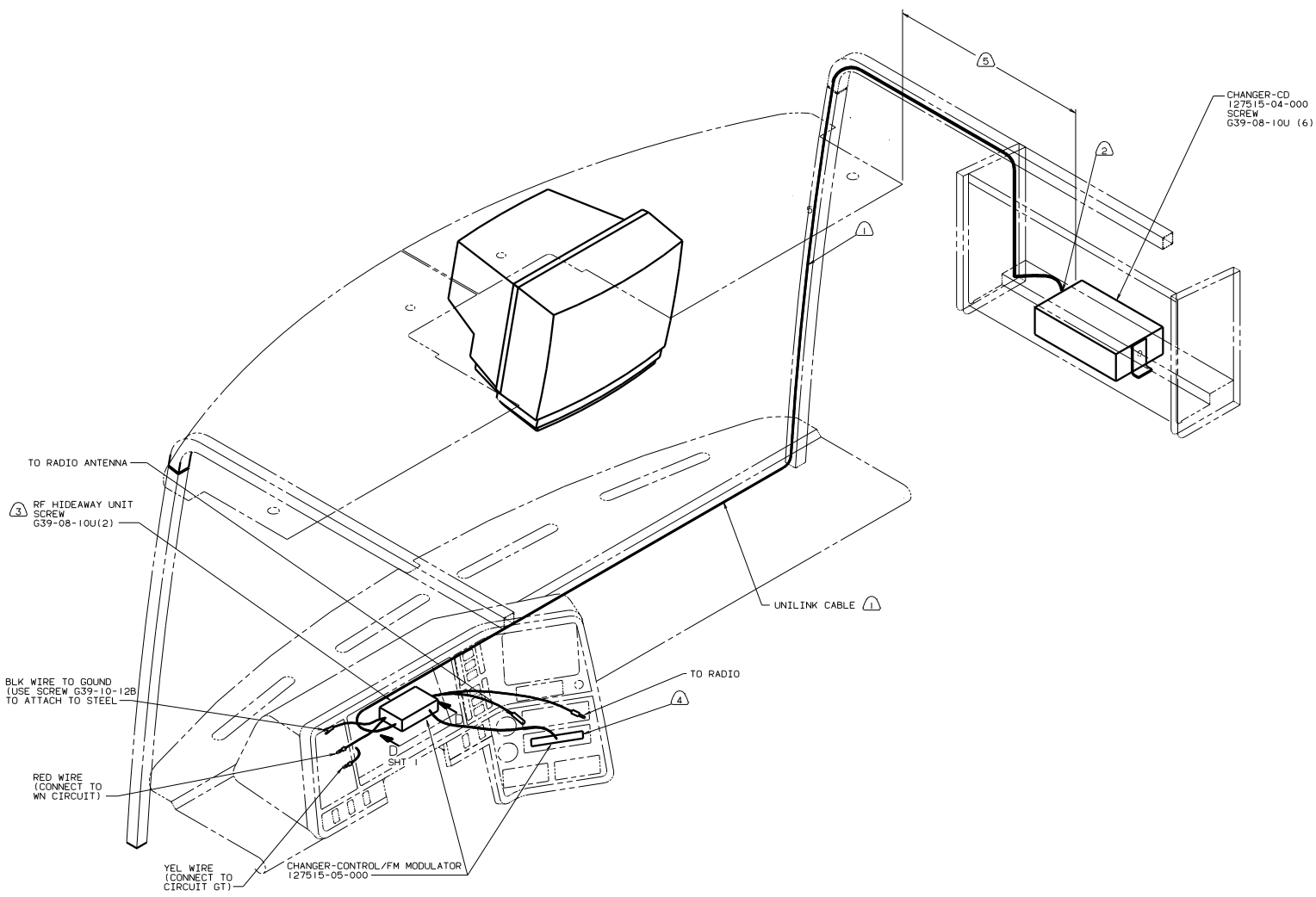
WINNEBAGO		99 MOTORHOMES	
DATE	UNDESIGNED TOLERANCES ARE:	DATE	MATERIAL
DATE	WHOLE DIM (1)	DATE	ONE-PLACE (1X.01)
DATE	FRACTIONAL DIM (1X.001)	DATE	FRACTIONAL DIM (1X.001)
DATE	ANGLE	DATE	ANGLE
DATE	THRU HOLE PROJECTION	DATE	THRU HOLE PROJECTION
DATE	PROJECTION	DATE	PROJECTION
CD PLAYER INSTL			
REV #	SCALE	NOTE	DO NOT SCALE DIMENSIONS
SHEET 1 OF 5		FIG 1	128578



- ⑤ WIRE SHOULD EXTEND 2000 PAST HEADER.
- ④ SEE RADIO INSTALLATION FOR RADIO P/N.
- ③ SUPPLIED WITH CHANGER.
- ② SEE SHT 4 FOR ADDITIONAL INFORMATION.
- ① ROUTED ALONG RIGHT A-PILLAR.

99 Q38KD, Q40JD
 52T CD CHANGER OR
 21V SOUND SYSTEM-DLX

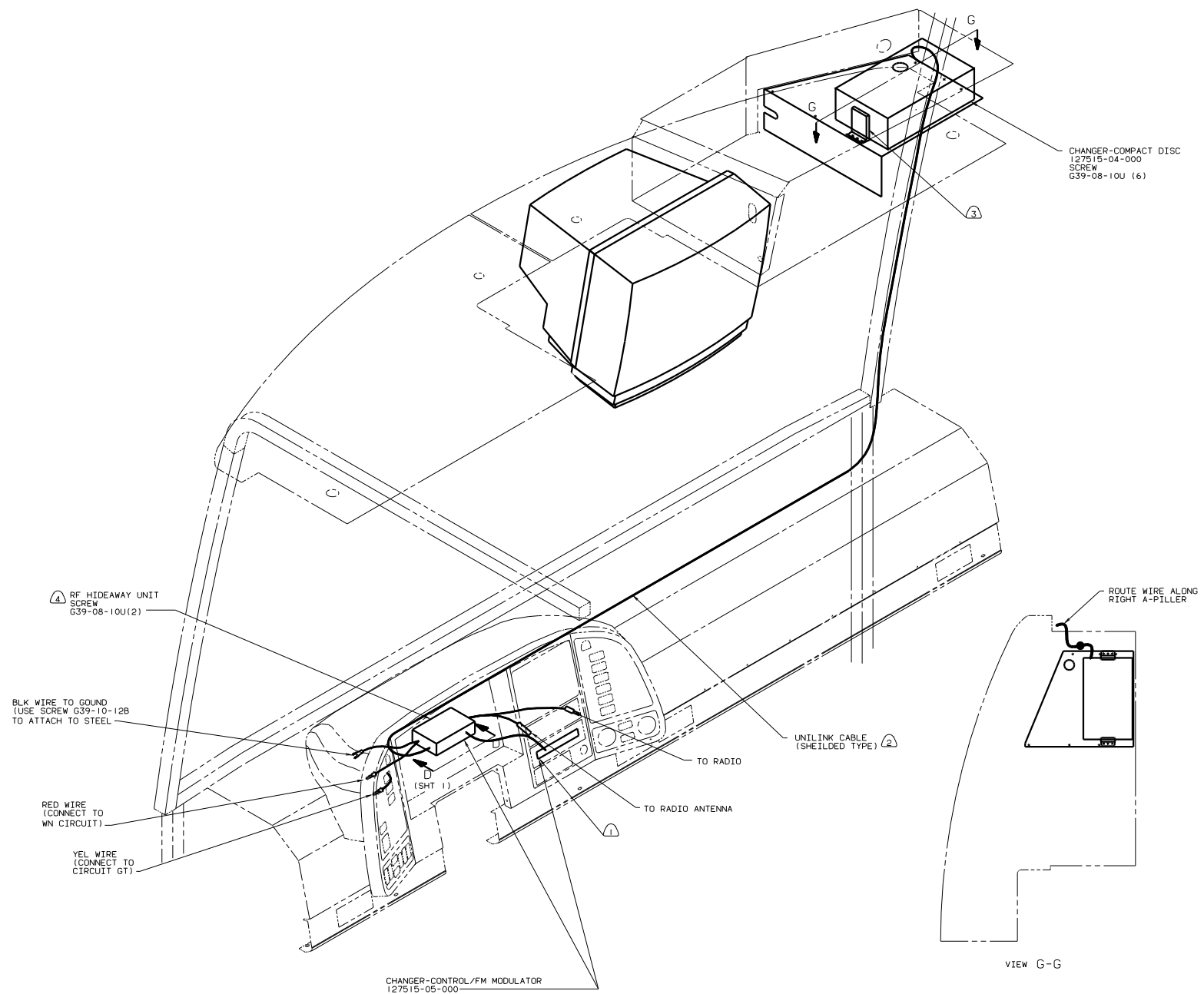
TITLE		CD PLAYER INSTL	
30 THE SCALE DRAWING	FIG. NO.	1	128578
SHEET 2 OF 5	REV. NO.		



- ⑤ WIRE SHOULD EXTEND 2000 PAST HEADER.
- ④ CD CHANGER REMOTE, DRILL HOLE IN DASH AND MOUNT BELOW RADIO.
- ③ MOUNT UNDER IP PAD ON IP BASE.
- ② USE BRACKET SUPPLIED WITH CD PACKAGE.
- ① SUPPLIED WITH CHANGER.

99 Q36C, Q38K, Q40J
52T CD CHANGER

TITLE: CD PLAYER INSTL	
DO NOT SCALE DRAWING	REV: 1.0
SHEET 3 OF 5	128578



CHANGER-COMPACT DISC
127515-04-000
SCREW
G39-08-10U (6)

4 RF HIDEAWAY UNIT
SCREW
G39-08-10U(2)

BLK WIRE TO GROUND
(USE SCREW G39-10-12B
TO ATTACH TO STEEL)

RED WIRE
(CONNECT TO
WN CIRCUIT)

YEL WIRE
(CONNECT TO
CIRCUIT GT)

UNILINK CABLE
(SHIELDED TYPE) 2

TO RADIO

TO RADIO ANTENNA

ROUTE WIRE ALONG
RIGHT A-PILLER

VIEW G-G

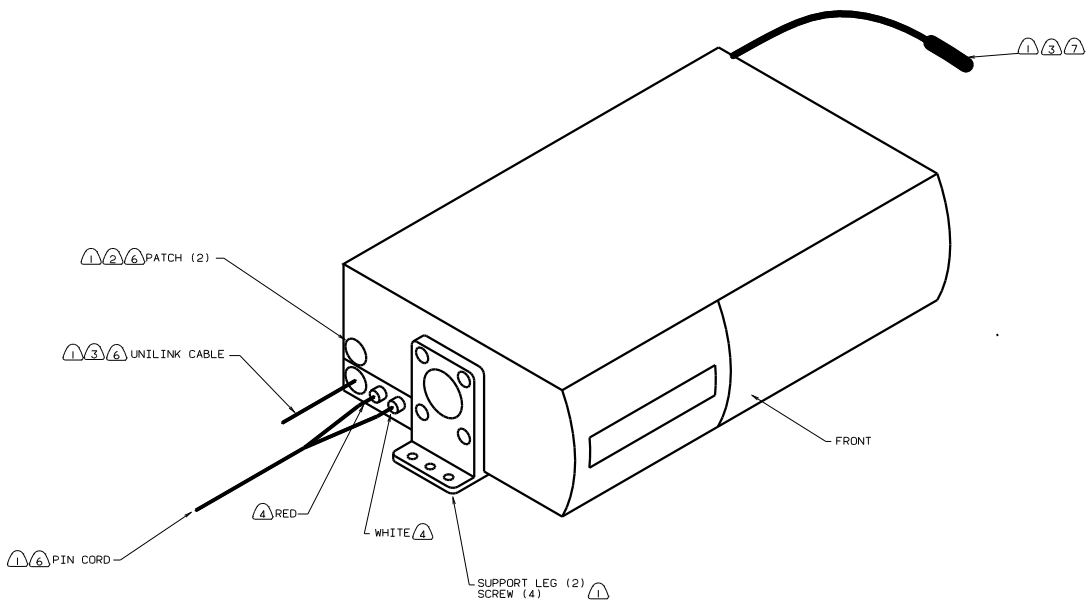
CHANGER-CONTROL/FM MODULATOR
127515-05-000

- 4 MOUNT UNDER IP PAD ON IP BASE.
- 3 USE BRACKET SUPPLIED WITH CD PACKAGE.
- 2 SUPPLIED WITH CHANGER.
- 1 CD CHANGER REMOTE. DRILL HOLE IN DASH AND MOUNT BELOW RADIO.

NOTES:

99 F.G&L-SERIES
52T CD CHANGER

TITLE		CD PLAYER INSTL	
30 X 10 SCALE DRAWING	DATE	1.0	NO
SHEET 4 OF 5	1.0	128578	



- ⑦ UNLINK CABLE ON THIS SIDE OF CHANGER 127515-04-000 ONLY.
- ⑥ Q-SERIES ONLY
- 5. SEE SHEETS 1, 2 & 3 FOR ADDITIONAL INFORMATION.
- ④ CONNECT PIN CORD CONNECTORS PER COLOR MATCH. RED TO RED. WHITE TO WHITE.
- ③ STRAIGHT CONNECTOR TO CD-CHANGER, L-CONNECTOR TO RADIO.
- ② COVER THE HOLES WHICH ARE NOT USED. WITH PATCH.
- ① SUPPLIED WITH CD CHANGER

NOTES:

TITLE		CD PLAYER INSTL	
DATE	SCALE	REV	ENG
		5	5
SHEET 5 OF 5		128578	