



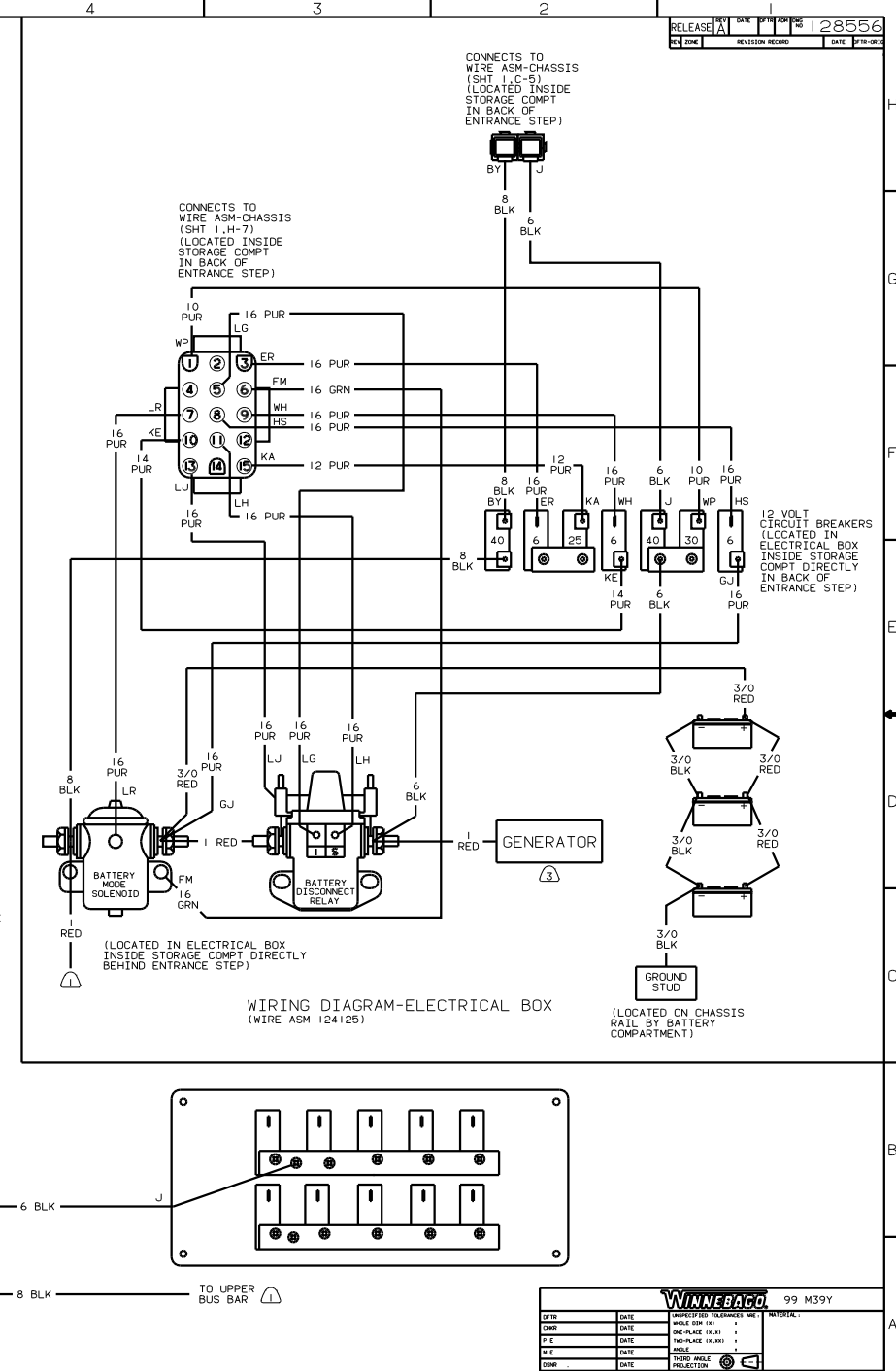
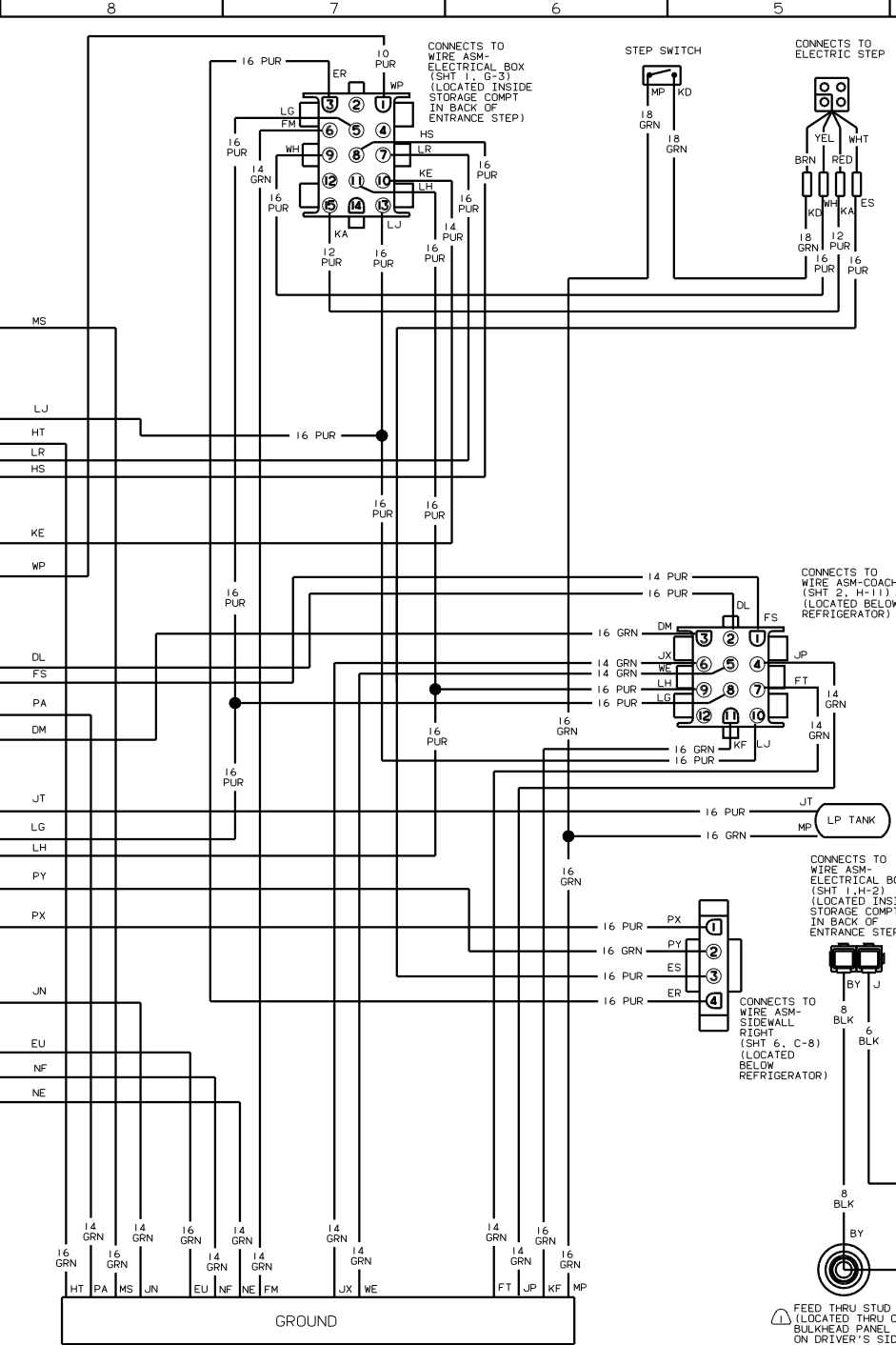
**DANGER**

**Danger of electrical shock, burns or death.** Always remove all power sources before attempting any repair, service or diagnostic work. Power can be present from shore power, generator, inverter or battery. All power sources must be disabled and secured before performing any service.



**CAUTION**

If you lack the skills, tools or equipment to perform diagnostic or repair work leave such work to an authorized Winnebago Industries dealer or other qualified shop.



WIRING DIAGRAM-ELECTRICAL BOX (WIRE ASM 124125)

WIRING DIAGRAM-CHASSIS (WIRE ASM 129921)

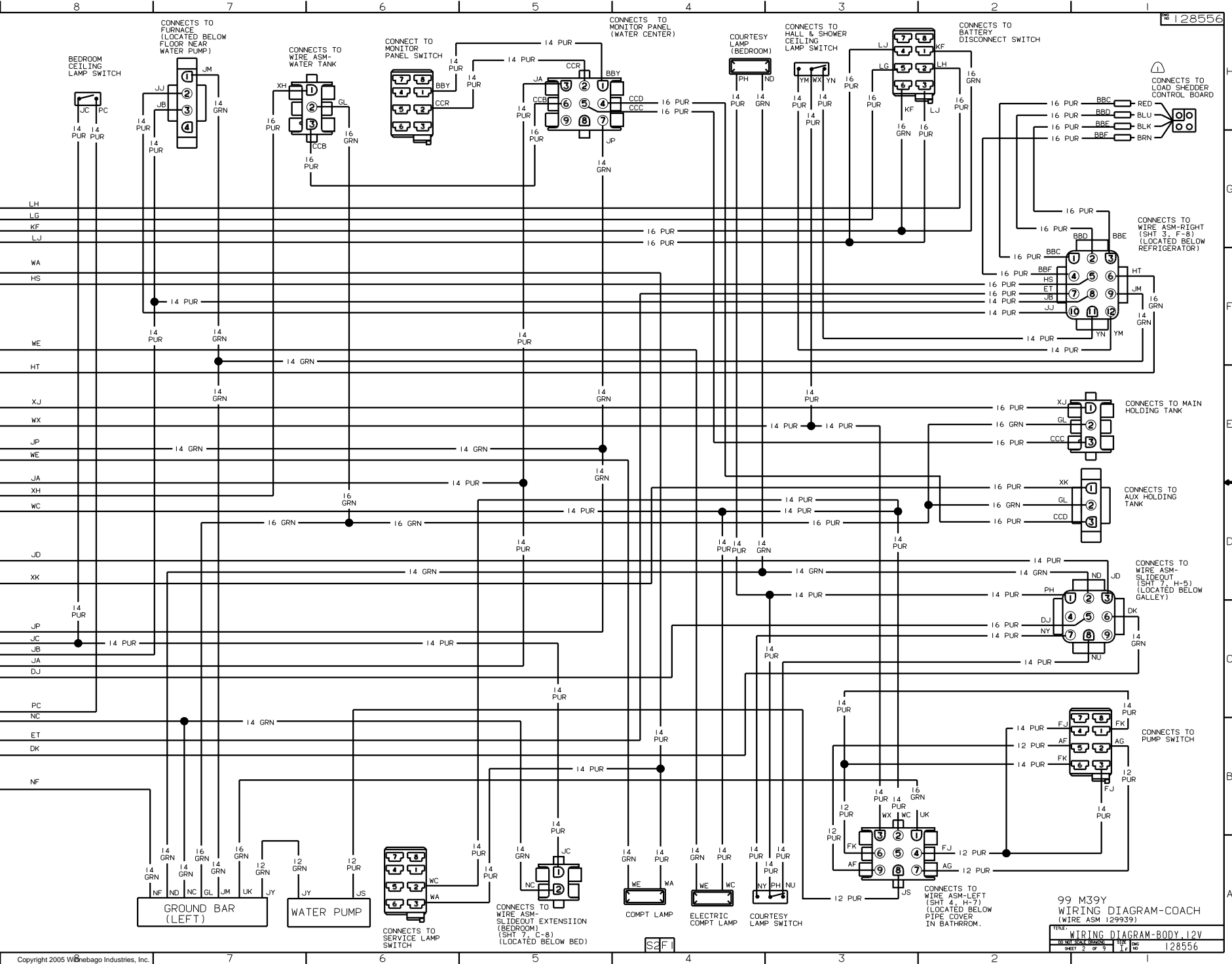
DATE		DESCRIPTION		BY	
DATE	DESCRIPTION	DATE	DESCRIPTION	DATE	DESCRIPTION
DATE	DESCRIPTION	DATE	DESCRIPTION	DATE	DESCRIPTION
DATE	DESCRIPTION	DATE	DESCRIPTION	DATE	DESCRIPTION
DATE	DESCRIPTION	DATE	DESCRIPTION	DATE	DESCRIPTION
DATE	DESCRIPTION	DATE	DESCRIPTION	DATE	DESCRIPTION

WINNEBAGO 99 M39Y

WIRING DIAGRAM-BODY.12V

128556





CONNECTS TO FURNACE (LOCATED BELOW FLOOR NEAR WATER PUMP)

CONNECT TO MONITOR PANEL SWITCH

CONNECTS TO MONITOR PANEL (WATER CENTER)

COURTESY LAMP (BEDROOM)

CONNECTS TO HALL & SHOWER CEILING LAMP SWITCH

CONNECTS TO BATTERY DISCONNECT SWITCH

CONNECTS TO LOAD SHEDDER CONTROL BOARD

CONNECTS TO WIRE ASM-RIGHT (SHT 3, F-8) (LOCATED BELOW REFRIGERATOR)

CONNECTS TO MAIN HOLDING TANK

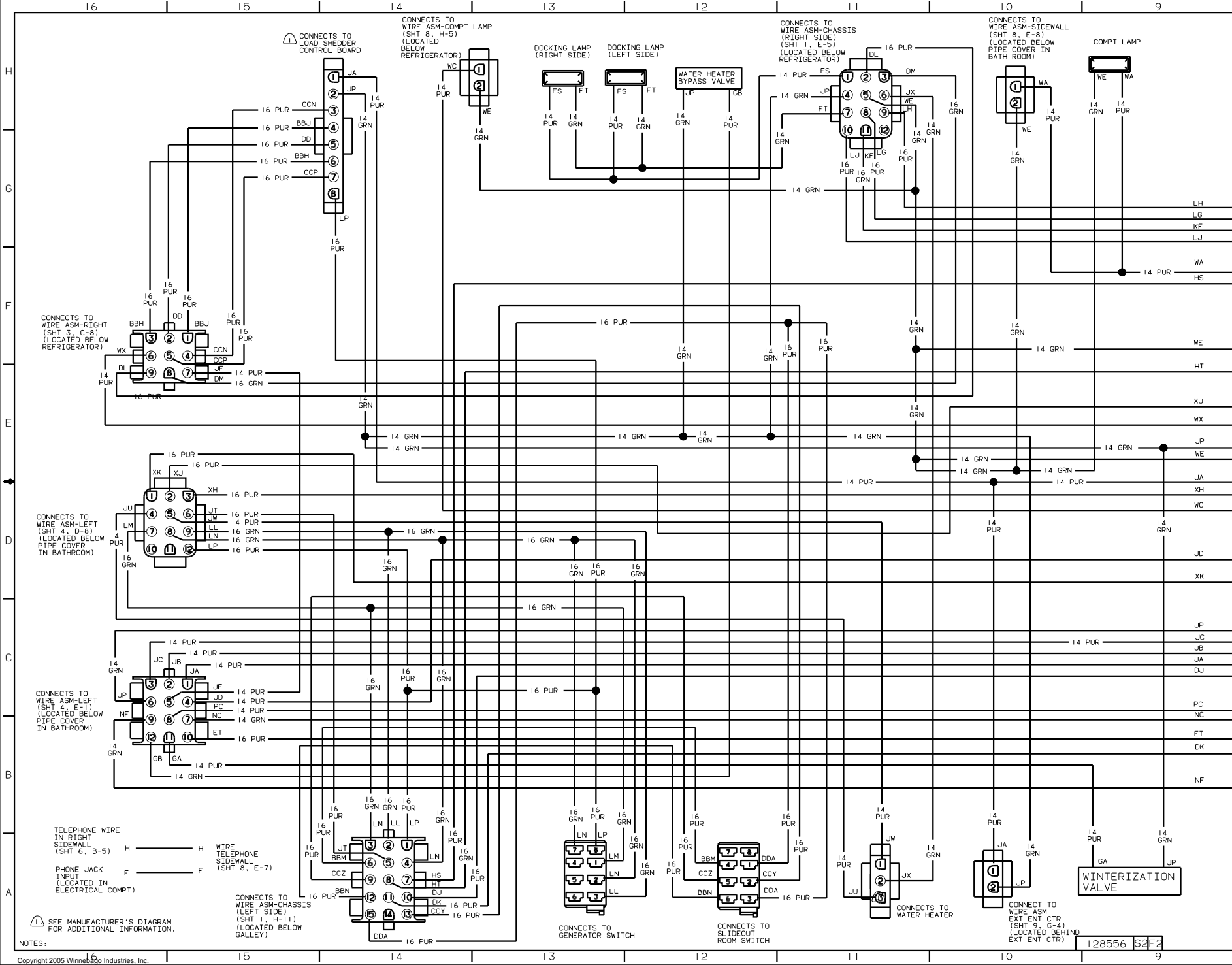
CONNECTS TO AUX HOLDING TANK

CONNECTS TO WIRE ASM-SLIDEOUT (SHT 7, H-5) (LOCATED BELOW GALLEY)

CONNECTS TO PUMP SWITCH

CONNECTS TO WIRE ASM-LEFT (SHT 4, H-7) (LOCATED BELOW PIPE COVER IN BATHROOM.)

99 M39Y WIRING DIAGRAM-COACH (WIRE ASM 129939)



CONNECTS TO  
LOAD SHEDDER  
CONTROL BOARD

CONNECTS TO  
WIRE ASM-COMPT LAMP  
(SHT 8, H-5)  
(LOCATED  
BELOW  
REFRIGERATOR)

DOCKING LAMP  
(RIGHT SIDE)

DOCKING LAMP  
(LEFT SIDE)

WATER HEATER  
BYPASS VALVE

CONNECTS TO  
WIRE ASM-CHASSIS  
(RIGHT SIDE)  
(SHT 1, E-5)  
(LOCATED BELOW  
REFRIGERATOR)

CONNECTS TO  
WIRE ASM-SIDEWALL  
(SHT 8, E-8)  
(LOCATED BELOW  
PIPE COVER IN  
BATH ROOM)

COMPT LAMP

CONNECTS TO  
WIRE ASM-RIGHT  
(SHT 3, C-8)  
(LOCATED BELOW  
REFRIGERATOR)

CONNECTS TO  
WIRE ASM-LEFT  
(SHT 4, D-8)  
(LOCATED BELOW  
PIPE COVER  
IN BATHROOM)

CONNECTS TO  
WIRE ASM-LEFT  
(SHT 4, E-1)  
(LOCATED BELOW  
PIPE COVER  
IN BATHROOM)

TELEPHONE WIRE  
IN RIGHT  
SIDEWALL  
(SHT 6, B-5)

PHONE JACK  
INPUT  
(LOCATED IN  
ELECTRICAL COMPT)

CONNECTS TO  
WIRE ASM-CHASSIS  
(LEFT SIDE)  
(SHT 1, H-11)  
(LOCATED BELOW  
GALLEY)

CONNECTS TO  
GENERATOR SWITCH

CONNECTS TO  
SLIDEOUT  
ROOM SWITCH

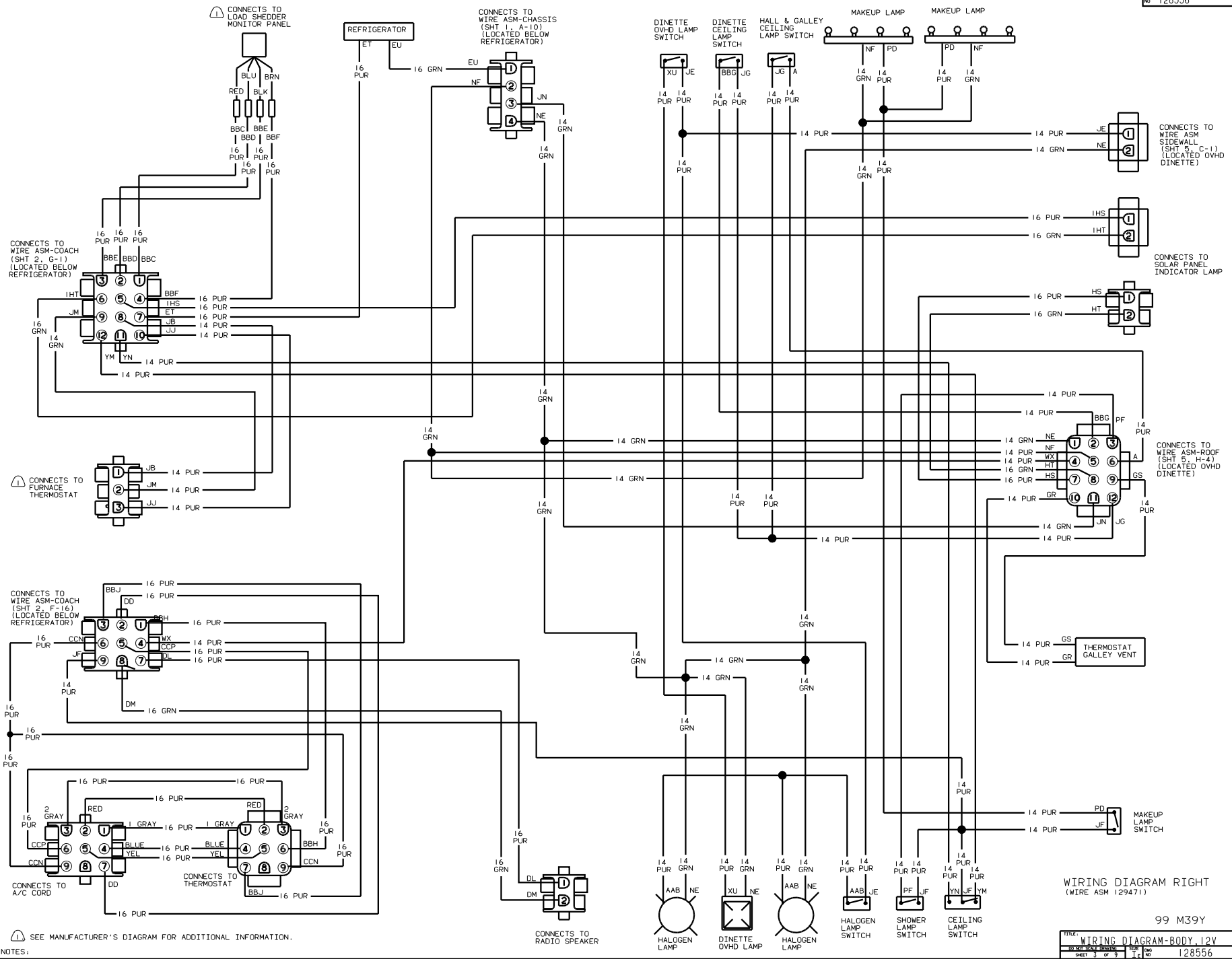
CONNECTS TO  
WATER HEATER

CONNECTS TO  
WIRE ASM  
EXT ENT CTR  
(SHT 9, G-4)  
(LOCATED BEHIND  
EXT ENT CTR)

WINTERIZATION  
VALVE

NOTES:  
SEE MANUFACTURER'S DIAGRAM  
FOR ADDITIONAL INFORMATION.

128556 S2F2



NOTES: 1. SEE MANUFACTURER'S DIAGRAM FOR ADDITIONAL INFORMATION.

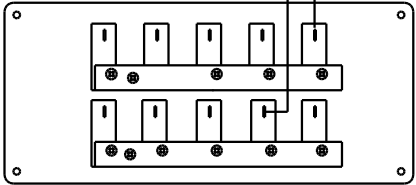
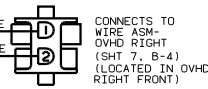
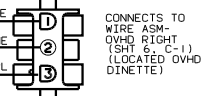
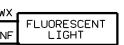
WIRING DIAGRAM RIGHT (WIRE ASM 129471)

99 M39Y

TITLE:	WIRING DIAGRAM-BODY_12V
DATE:	12/11/03
BY:	J.E.
NO. OF SHEETS:	3 OF 3
DWG. NO.:	128556



CONNECTS TO WIRE ASM-COACH (RIGHT SIDE) (SHT 3, E-1) (LOCATED OVHD DINETTE)



WIRING DIAGRAM-ROOF FRONT (WIRE ASM 129007)

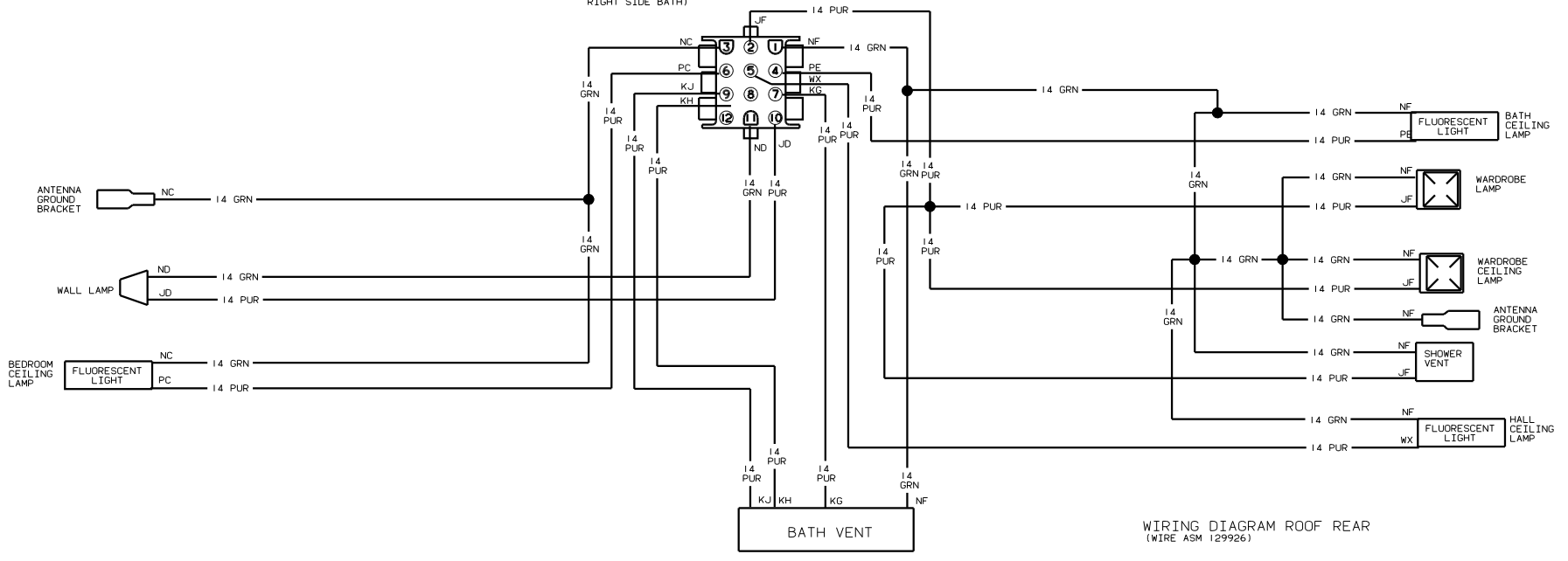
99 M39Y

TITLE: WIRING DIAGRAM-BODY 12V	
DO NOT SCALE DRAWING	DATE: 11/16/07
SHEET 5 OF 9	128556

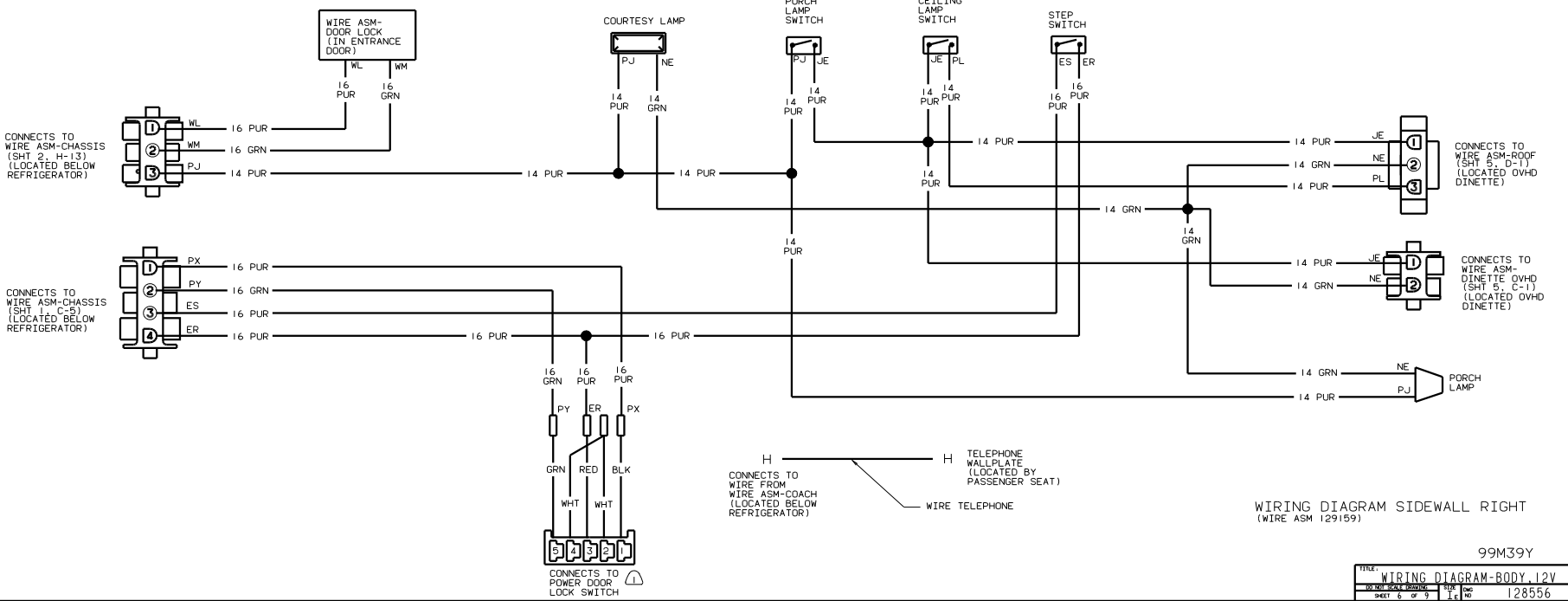
SEE SHT 4 FOR ADDITIONAL INFORMATION.



CONNECTS TO WIRE ASM-COACH (LEFT SIDE) (SHT 4, H-5) (LOCATED BELOW RIGHT SIDE BATH)



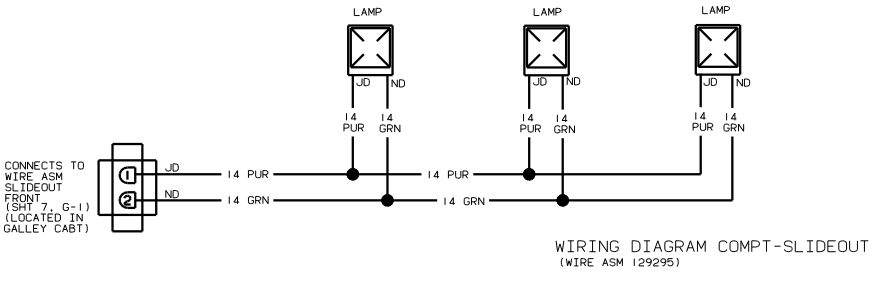
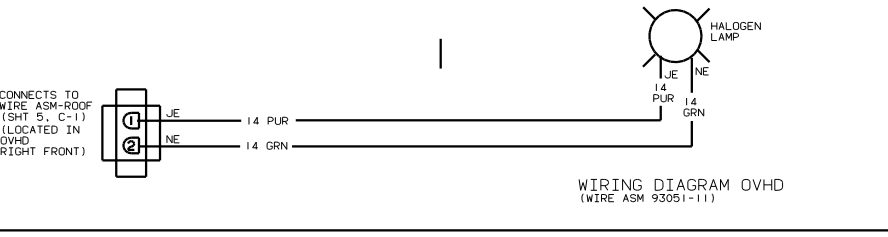
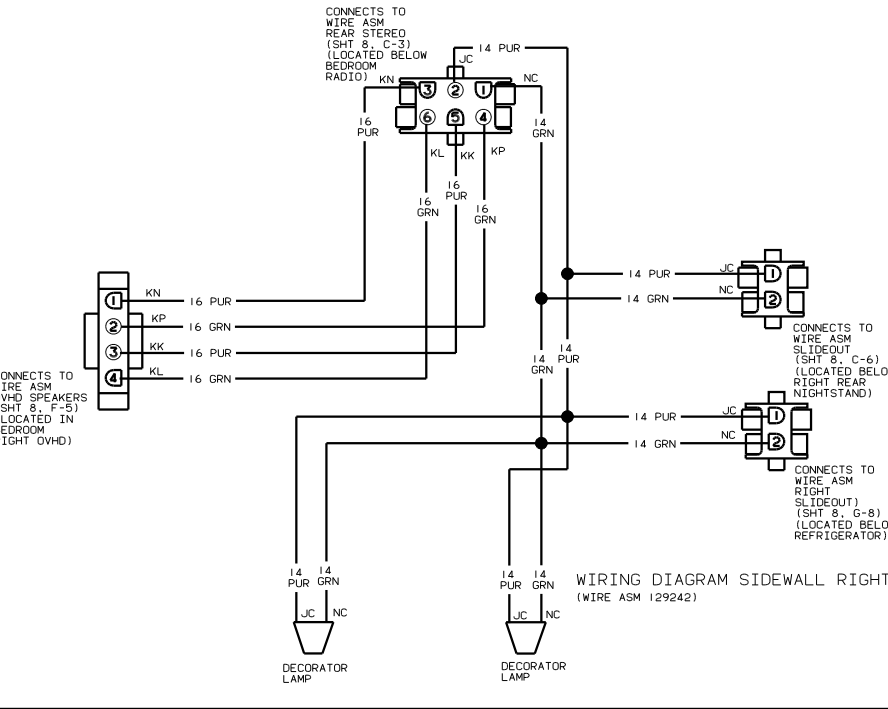
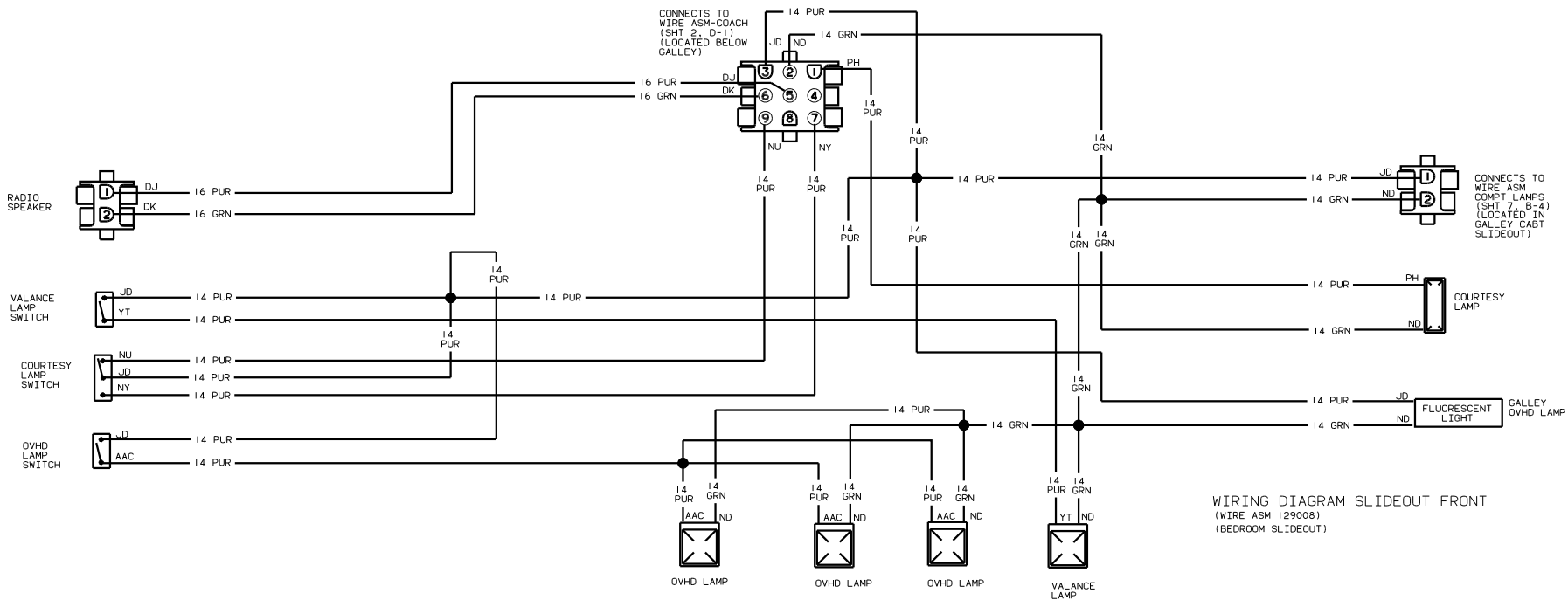
WIRING DIAGRAM ROOF REAR (WIRE ASM 129926)

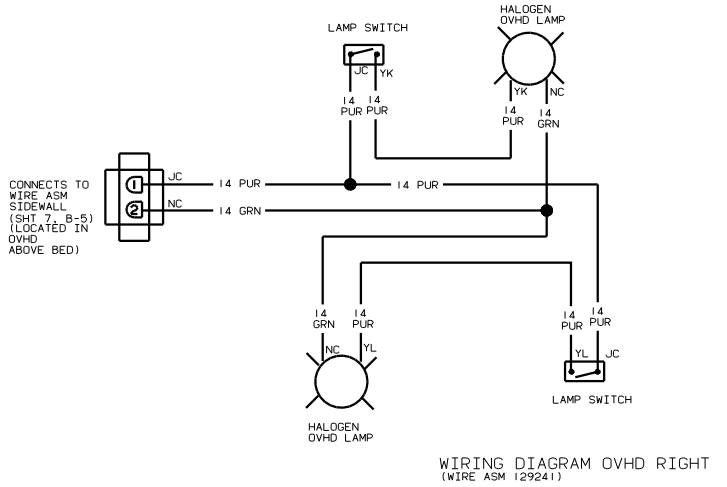


WIRING DIAGRAM SIDEWALL RIGHT (WIRE ASM 129159)

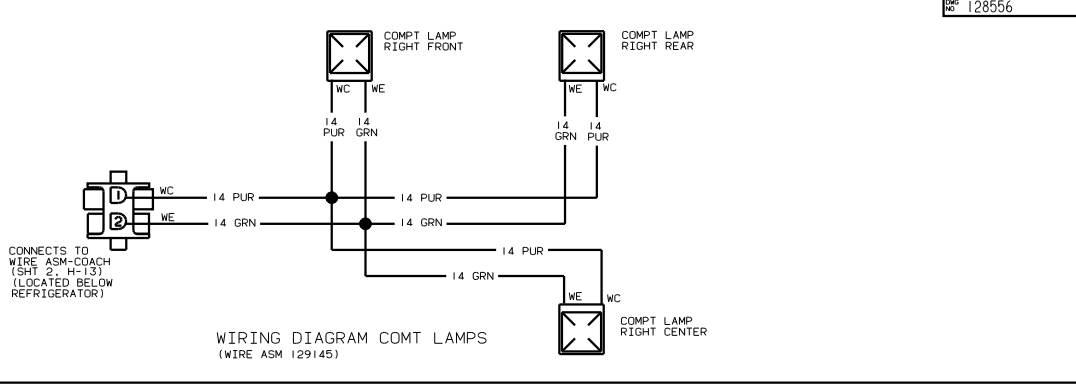
99M39Y

TITLE: WIRING DIAGRAM-BODY 12V	
NO. OF SHEETS: 9	SHEET NO. 6 OF 9
REV. NO. 1	REV. DATE 128556

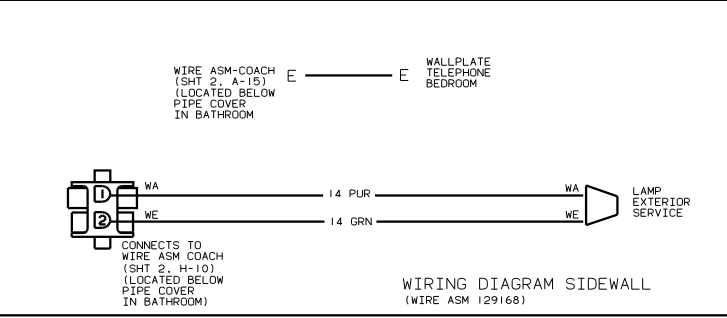




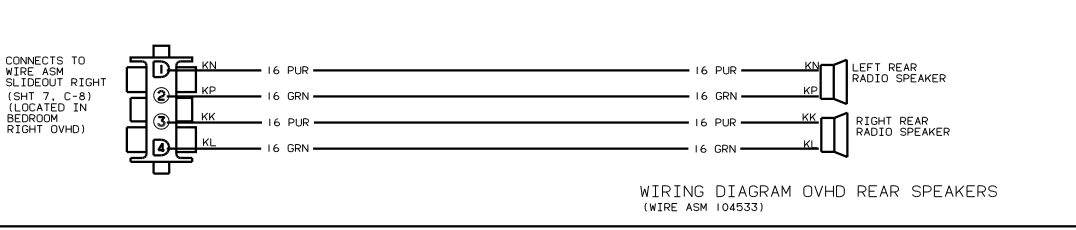
WIRING DIAGRAM OVHD RIGHT (WIRE ASM 129241)



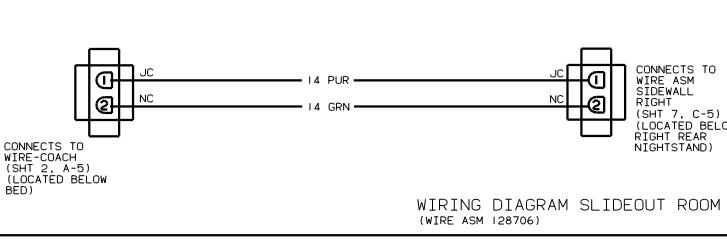
WIRING DIAGRAM COMT LAMPS (WIRE ASM 129145)



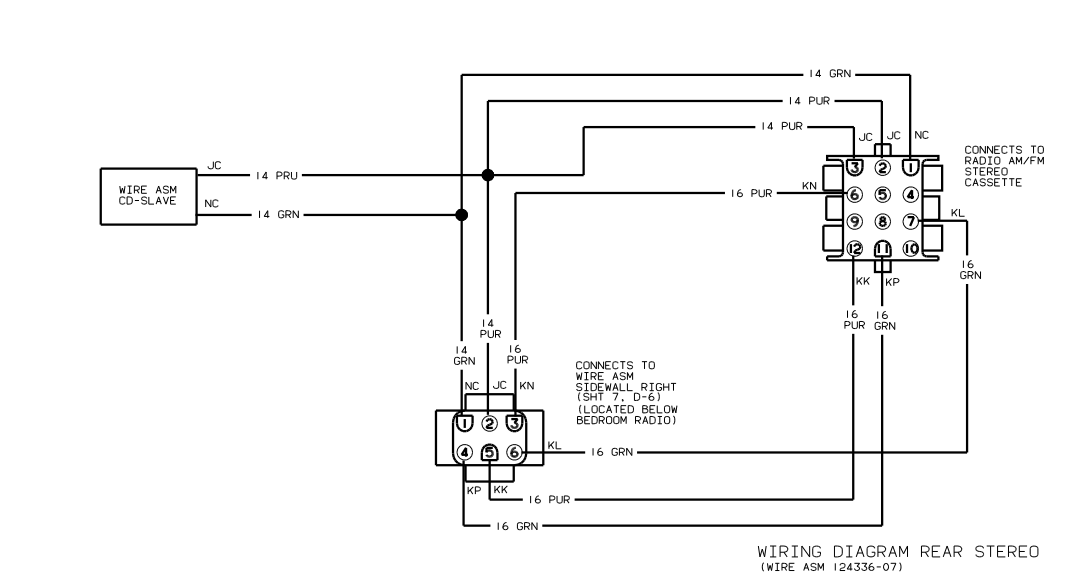
WIRING DIAGRAM SIDEWALL (WIRE ASM 129168)



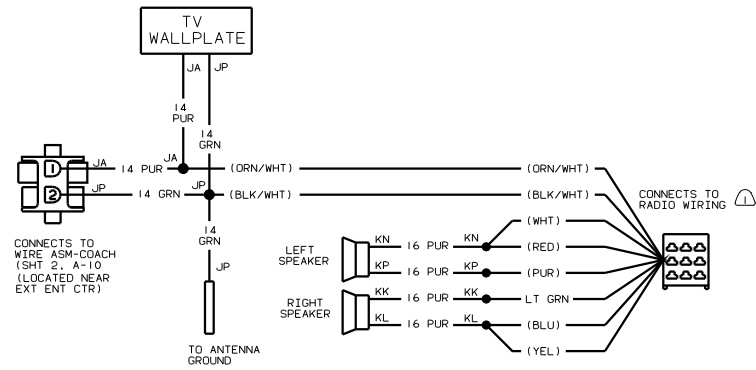
WIRING DIAGRAM OVHD REAR SPEAKERS (WIRE ASM 104533)



WIRING DIAGRAM SLIDEOUT ROOM (WIRE ASM 128706)



WIRING DIAGRAM REAR STEREO (WIRE ASM 124336-07)



WIRING DIAGRAM-EXT ENT CTR  
 (WIRE ASM 128853-01)  
 (WITH EXTERIOR ENTERTAINMENT CENTER)

SEE MANUFACTURER'S DIAGRAM FOR ADDITIONAL INFORMATION.

NOTES:

99 M39Y

TITLE: WIRING DIAGRAM-BODY 12V	
DO NOT SCALE DRAWING	FIG. NO. 1E
SHEET 9 OF 9	128556