



**DANGER**

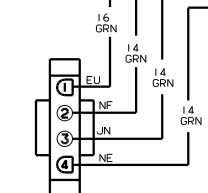
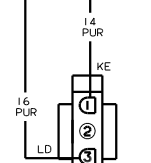
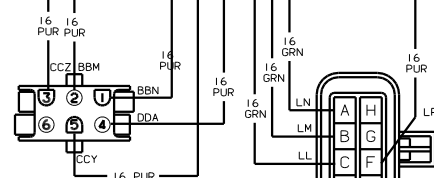
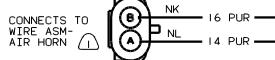
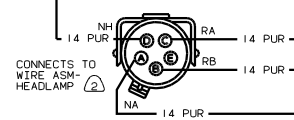
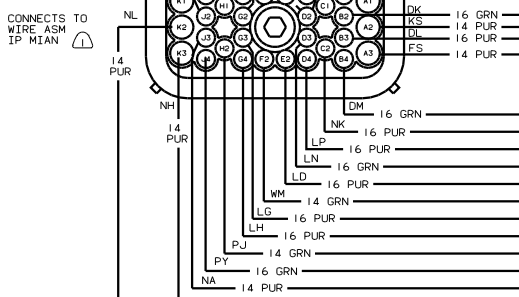
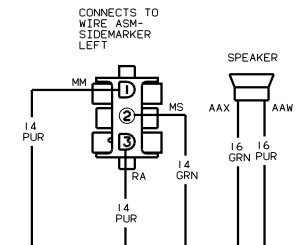
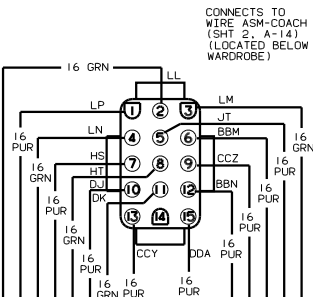
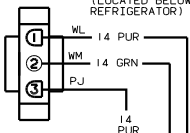
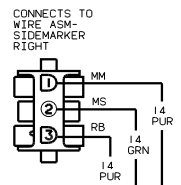
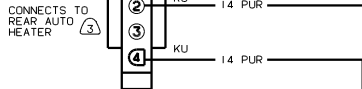
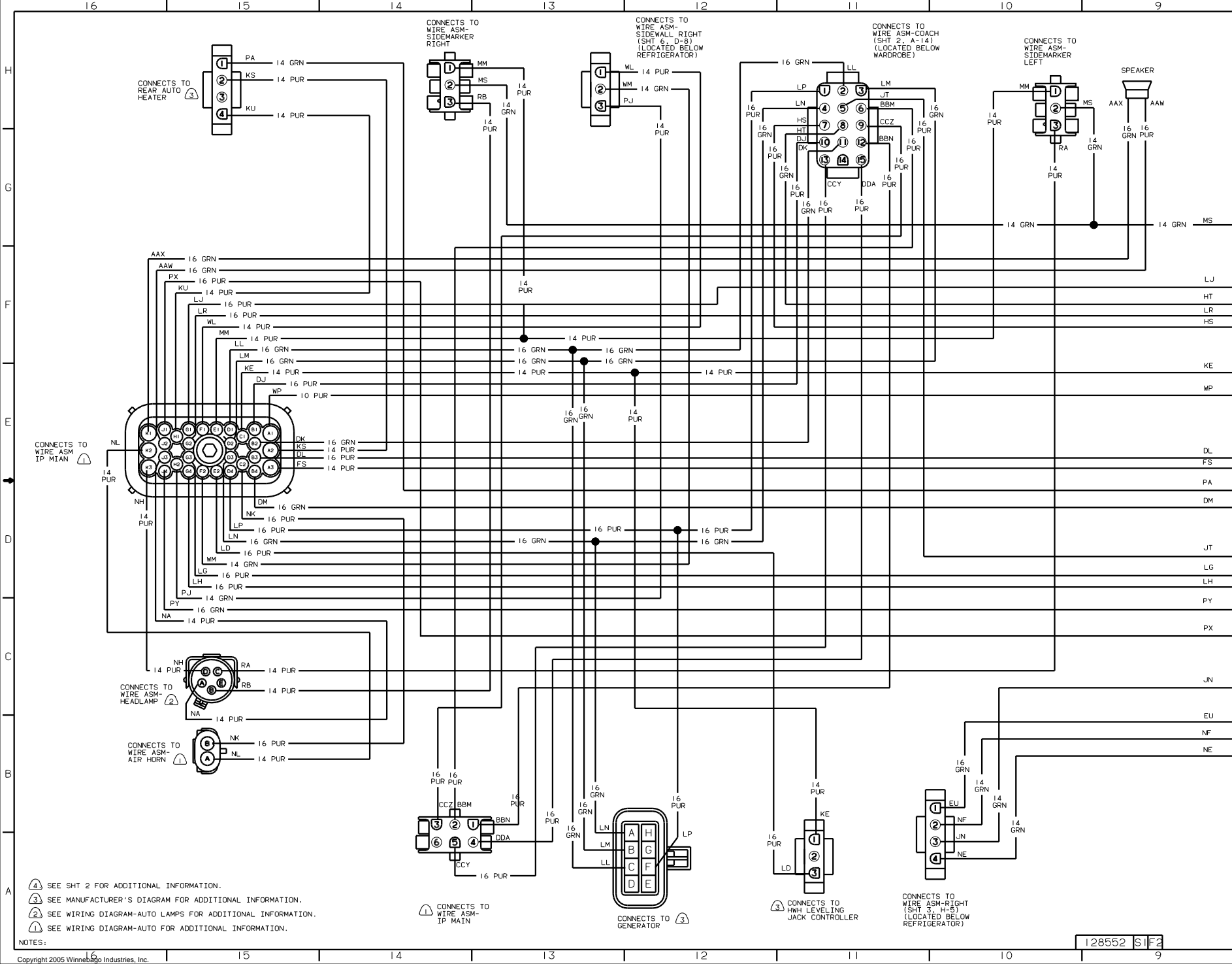
**Danger of electrical shock, burns or death.** Always remove all power sources before attempting any repair, service or diagnostic work. Power can be present from shore power, generator, inverter or battery. All power sources must be disabled and secured before performing any service.



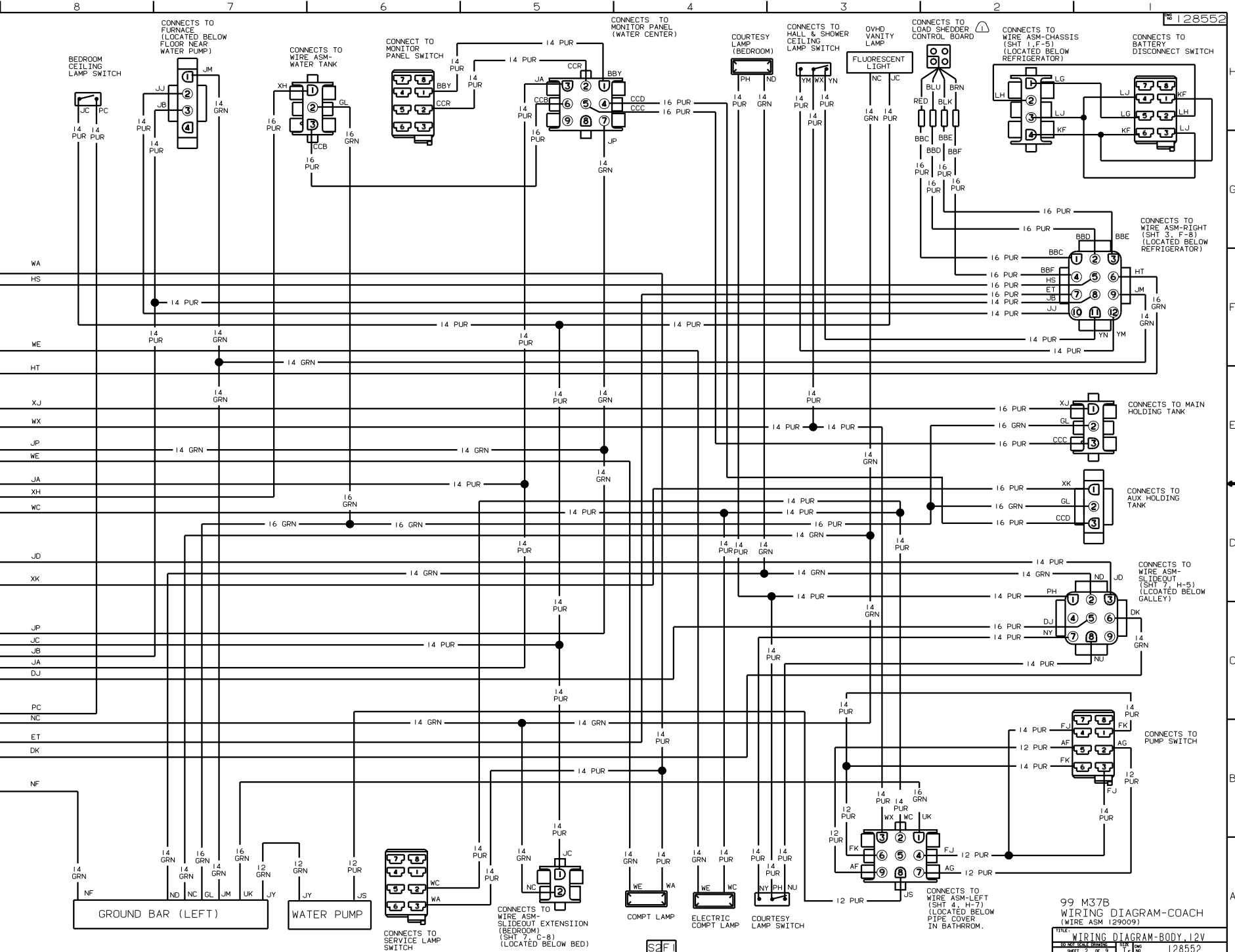
**CAUTION**

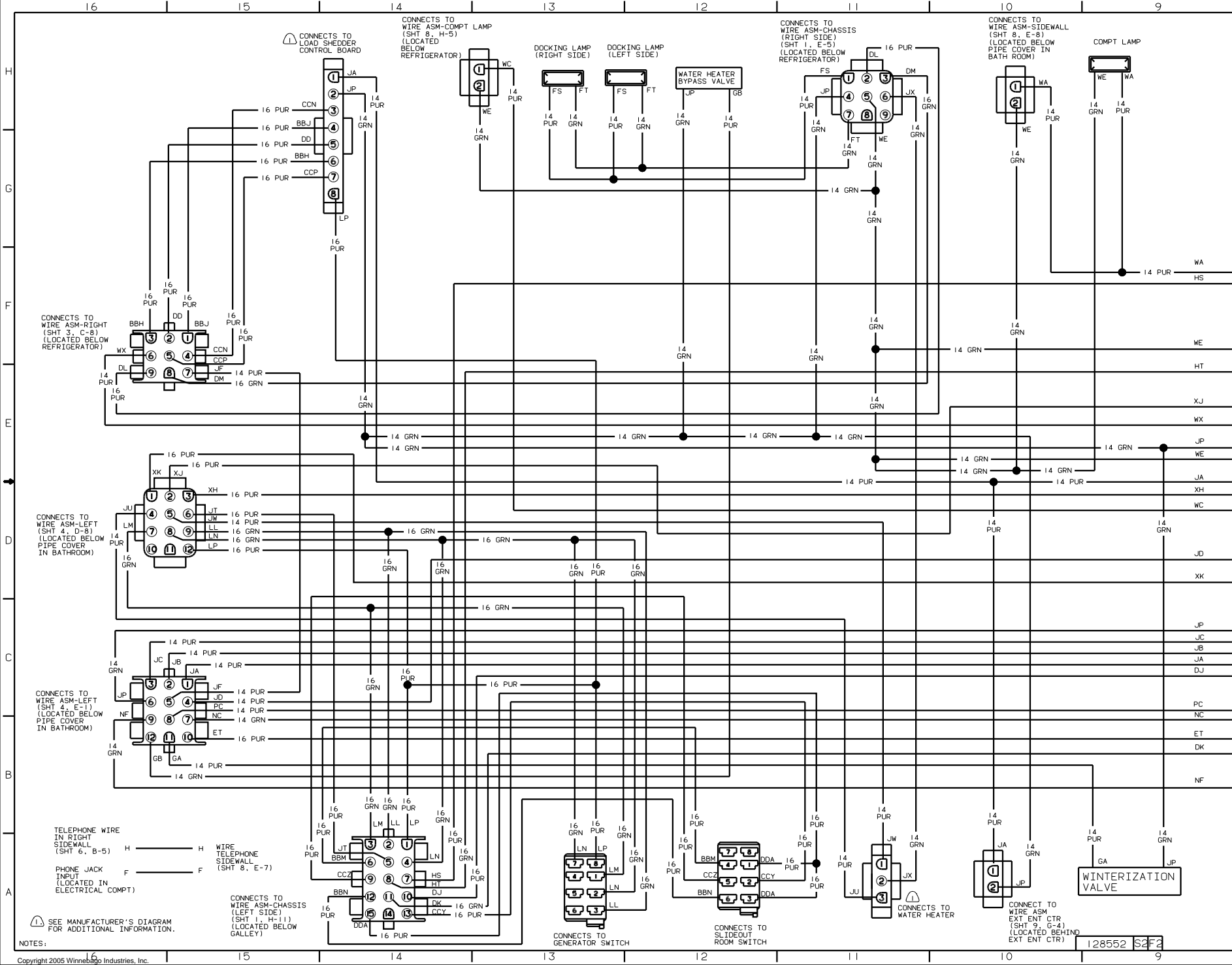
If you lack the skills, tools or equipment to perform diagnostic or repair work leave such work to an authorized Winnebago Industries dealer or other qualified shop.



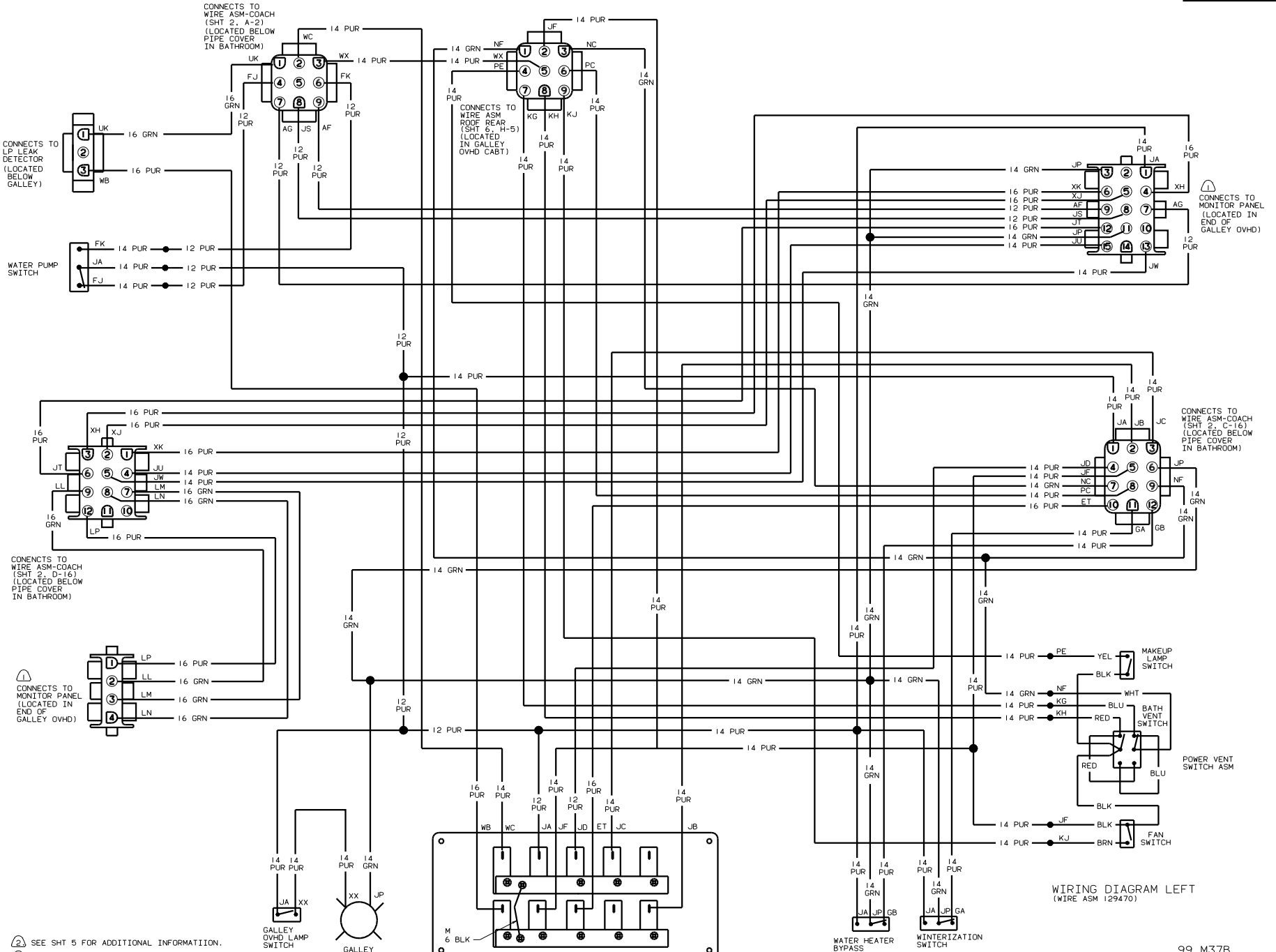


- NOTES:
- (4) SEE SHT 2 FOR ADDITIONAL INFORMATION.
  - (3) SEE MANUFACTURER'S DIAGRAM FOR ADDITIONAL INFORMATION.
  - (2) SEE WIRING DIAGRAM-AUTO LAMPS FOR ADDITIONAL INFORMATION.
  - (1) SEE WIRING DIAGRAM-AUTO FOR ADDITIONAL INFORMATION.







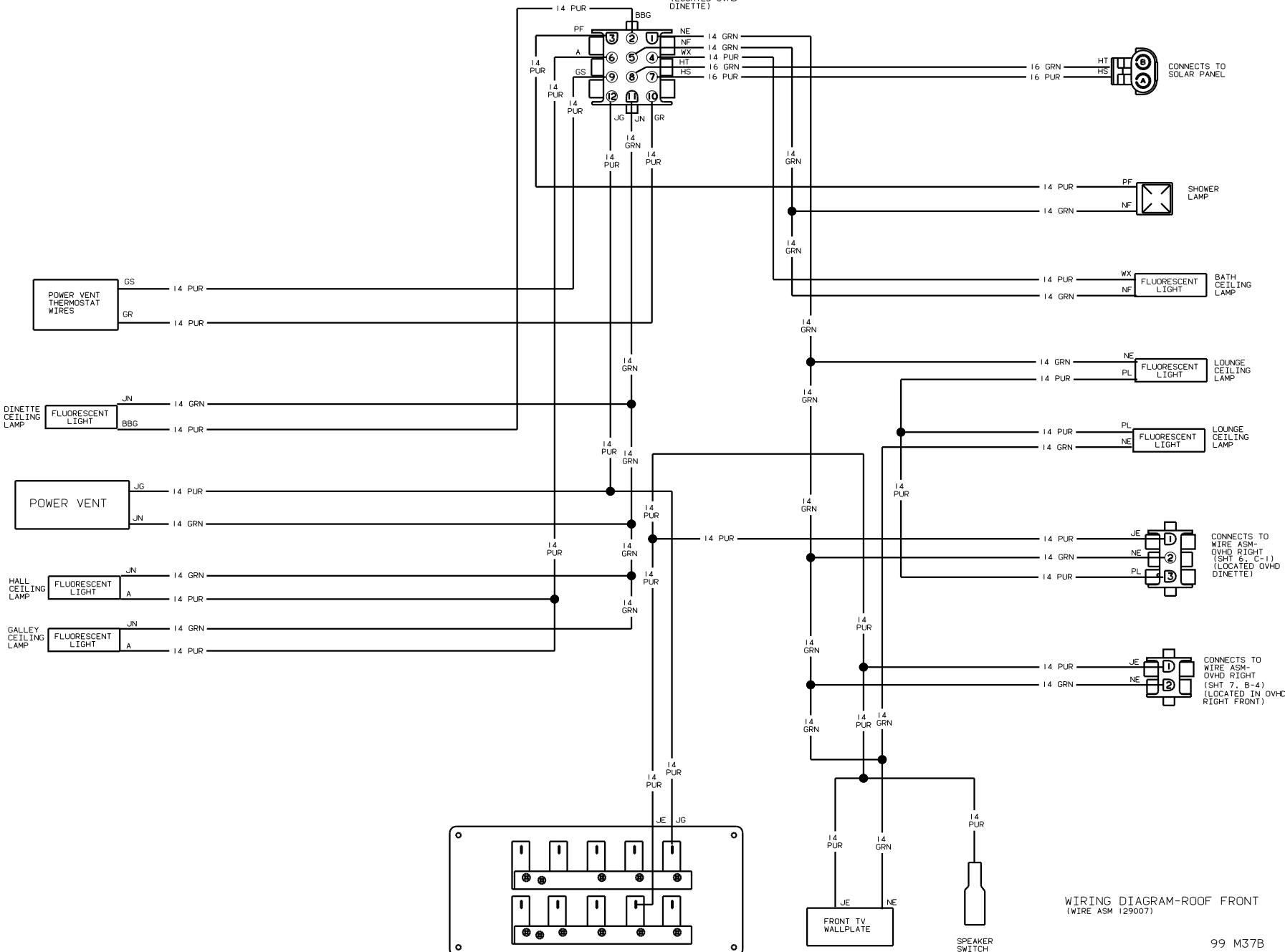


NOTES:  
 (2) SEE SHT 5 FOR ADDITIONAL INFORMATION.  
 (3) SEE MANUFACTURER'S DIAGRAM FOR ADDITIONAL INFORMATION.

WIRING DIAGRAM LEFT  
(WIRE ASM 129470)

99 M37B

TITLE: WIRING DIAGRAM-BODY 12V	
NO. OF SHEETS: 4	SHEET: 4 OF 4
DATE: 1/1/00	REV: 1
128552	



WIRING DIAGRAM-ROOF FRONT (WIRE ASM 129007)

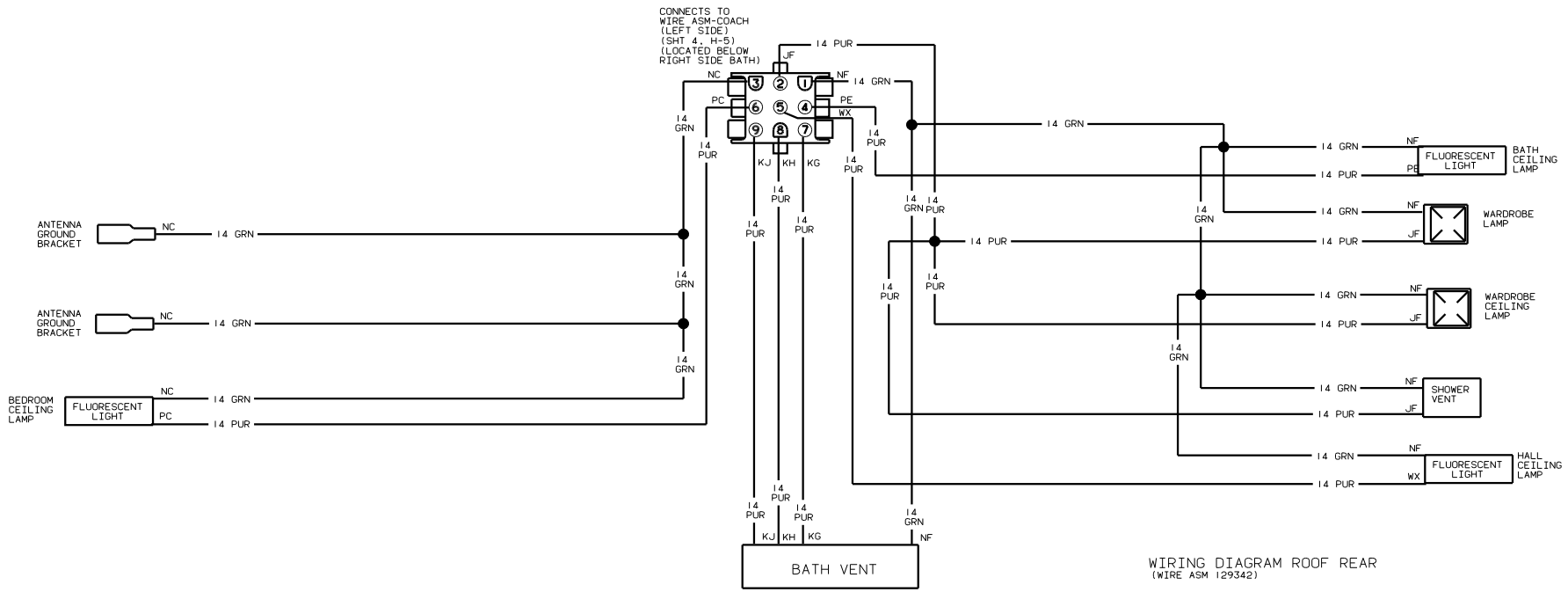
99 M37B

TITLE		WIRING DIAGRAM-BODY 12V	
DO NOT SCALE DRAWING	DATE	REV	1.0
SHEET 5 OF 9			128552

SEE SHT 4 FOR ADDITIONAL INFORMATION.



CONNECTS TO WIRE ASM-COACH (LEFT SIDE) (SHT 4, H-5) (LOCATED BELOW RIGHT SIDE BATH)



WIRING DIAGRAM ROOF REAR (WIRE ASM 129342)

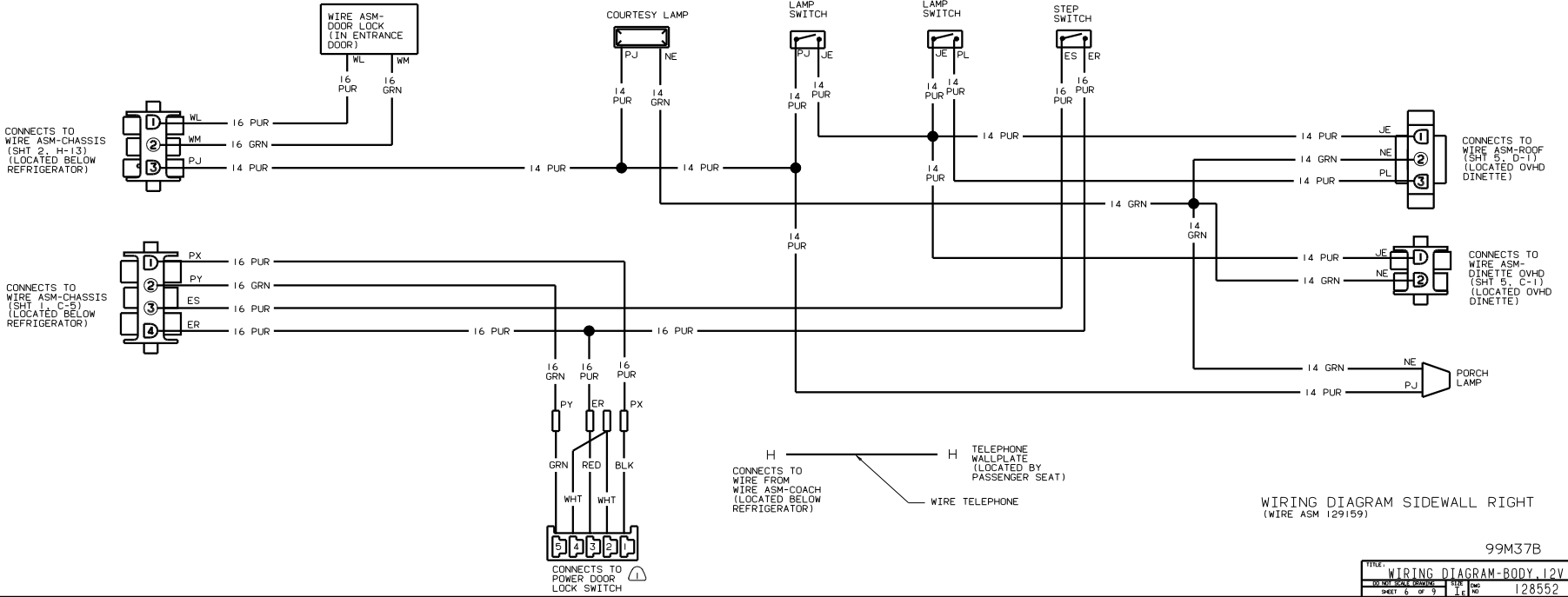
WIRE ASM-DOOR LOCK (IN ENTRANCE DOOR)

COURTESY LAMP

PORCH LAMP SWITCH

CEILING LAMP SWITCH

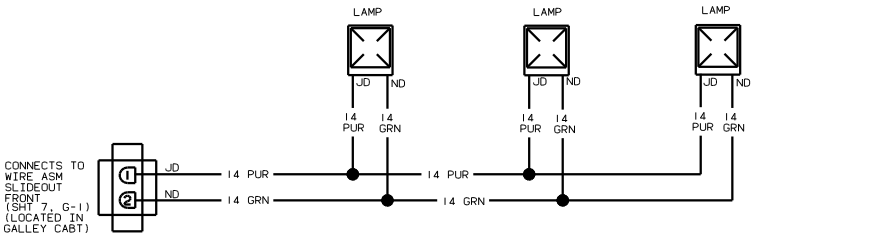
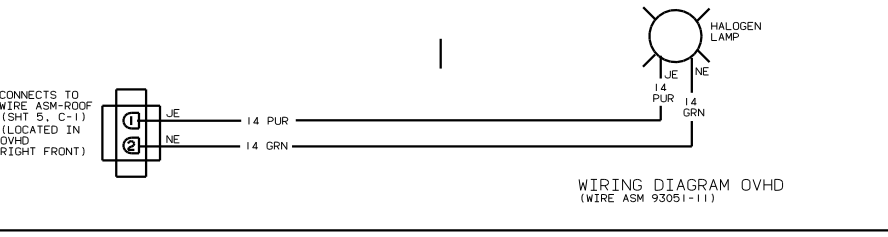
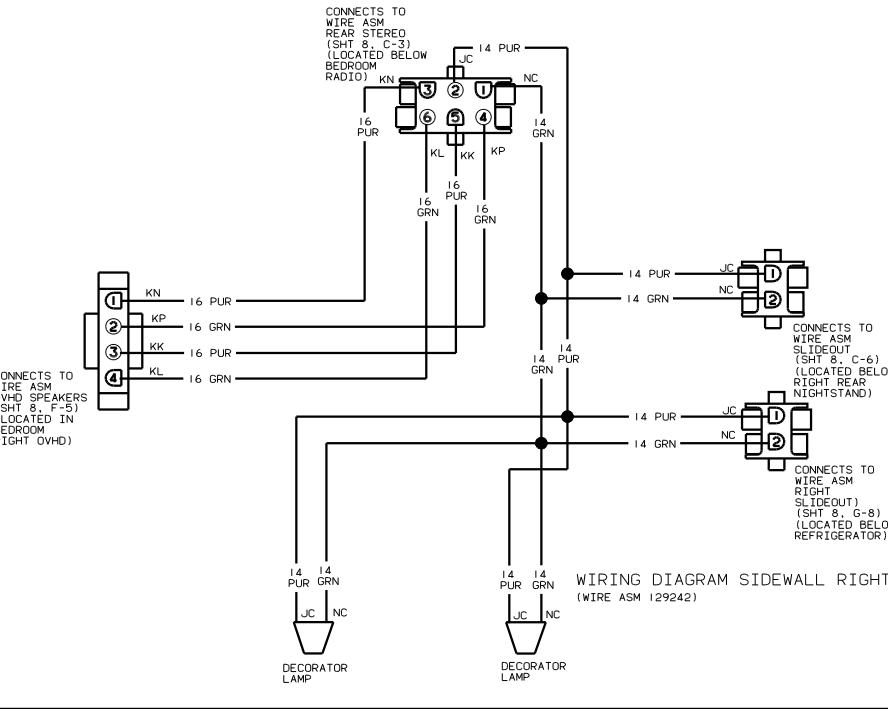
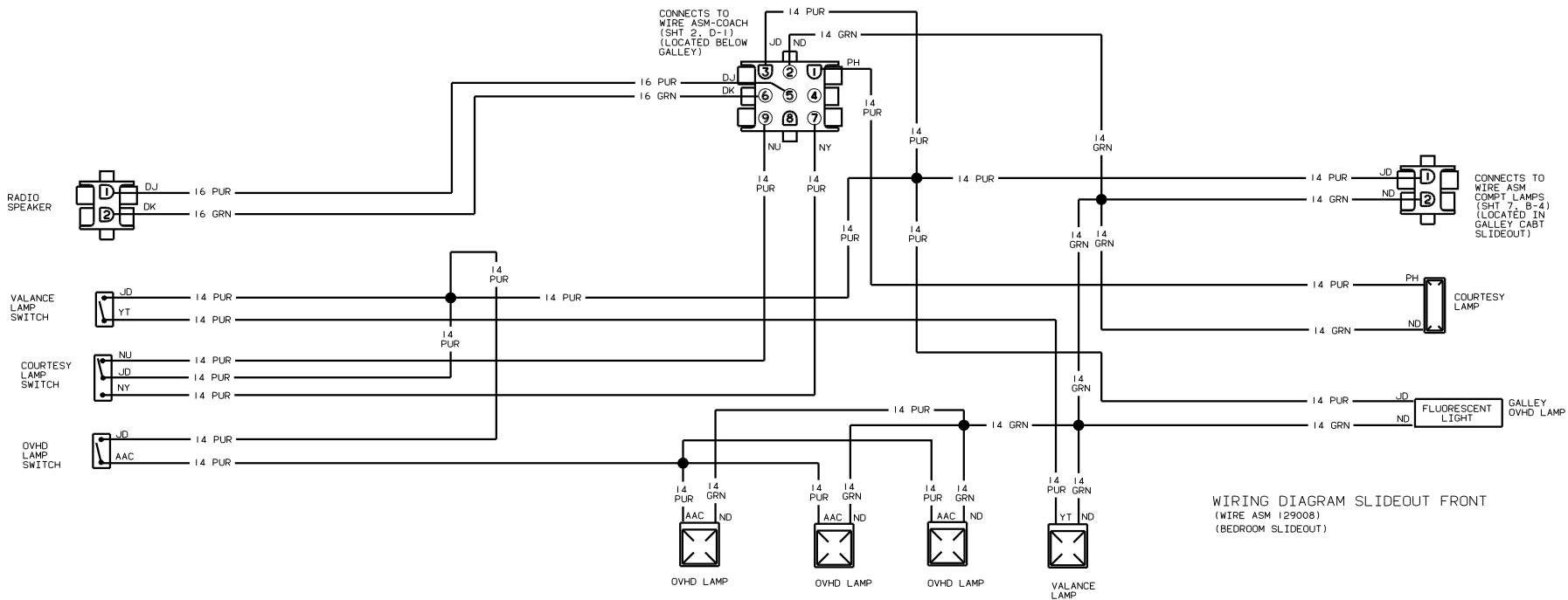
STEP SWITCH

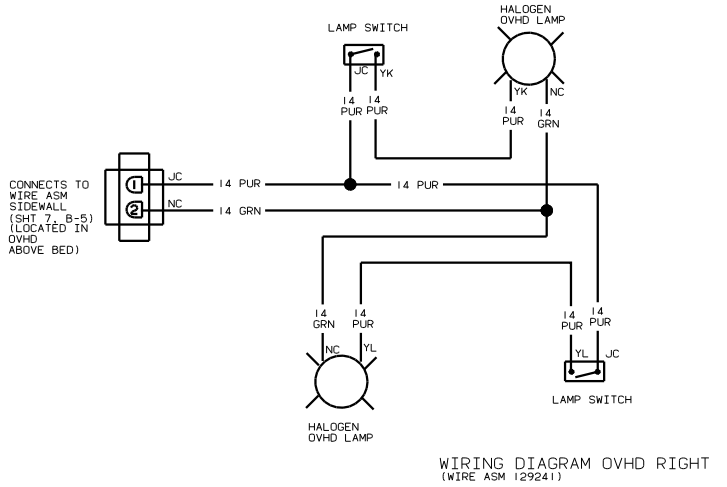


WIRING DIAGRAM SIDEWALL RIGHT (WIRE ASM 129159)

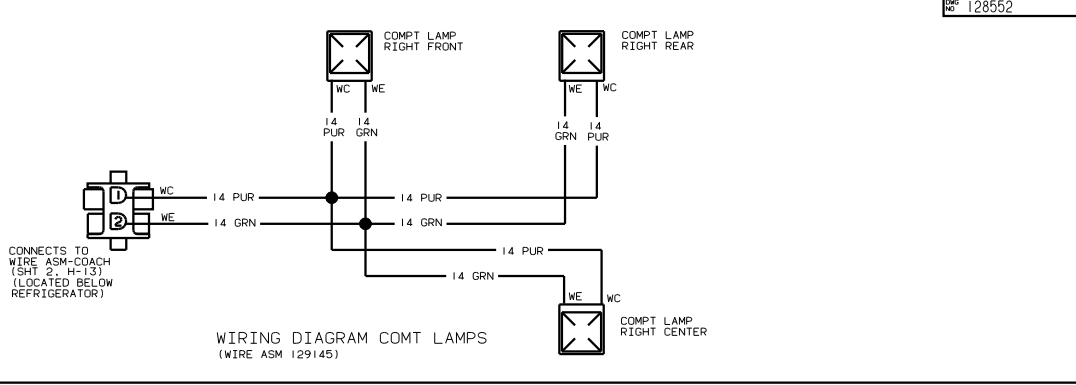
99M37B

TITLE: WIRING DIAGRAM-BODY 12V	
30 DAY SELLING PERIOD	DATE
SHEET 6 OF 9	128552

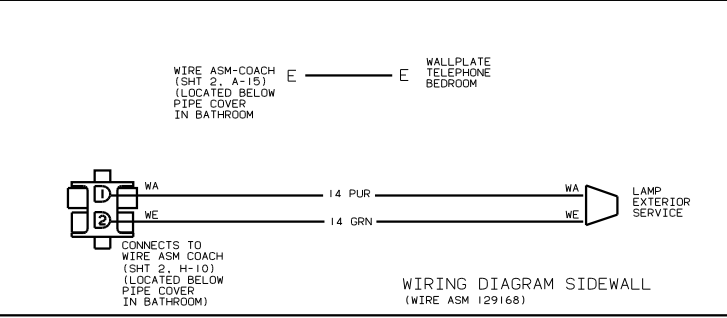




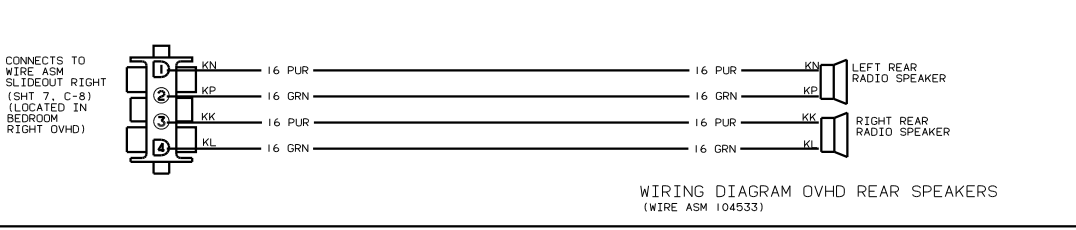
WIRING DIAGRAM OVHD RIGHT (WIRE ASM 129241)



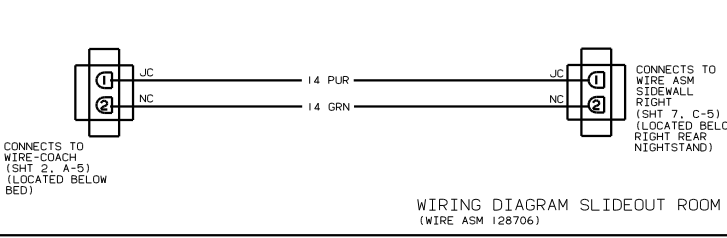
WIRING DIAGRAM COMT LAMPS (WIRE ASM 129145)



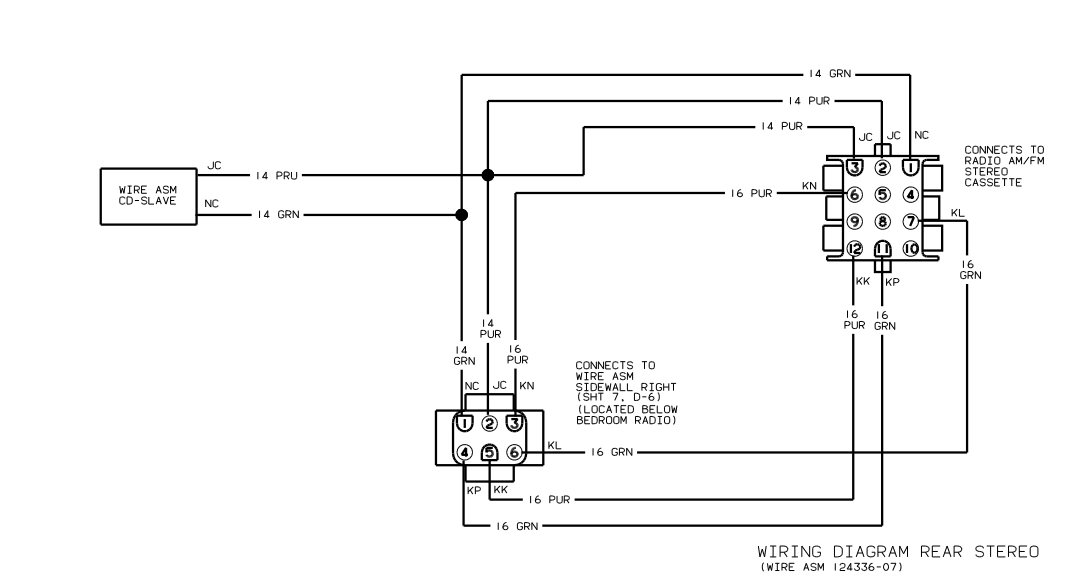
WIRING DIAGRAM SIDEWALL (WIRE ASM 129168)



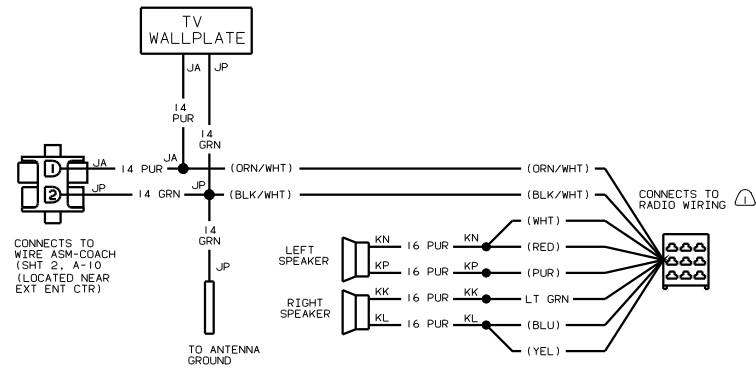
WIRING DIAGRAM OVHD REAR SPEAKERS (WIRE ASM 104533)



WIRING DIAGRAM SLIDEOUT ROOM (WIRE ASM 128706)



WIRING DIAGRAM REAR STEREO (WIRE ASM 124336-07)



WIRING DIAGRAM-EXT ENT CTR  
 (WIRE ASM 128853-01)  
 (WITH EXTERIOR ENTERTAINMENT CENTER)

SEE MANUFACTURER'S DIAGRAM FOR ADDITIONAL INFORMATION.