



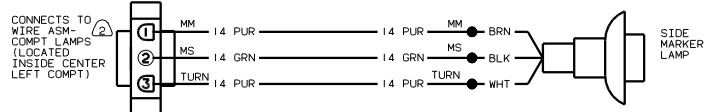
DANGER

Danger of electrical shock, burns or death. Always remove all power sources before attempting any repair, service or diagnostic work. Power can be present from shore power, generator, inverter or battery. All power sources must be disabled and secured before performing any service.

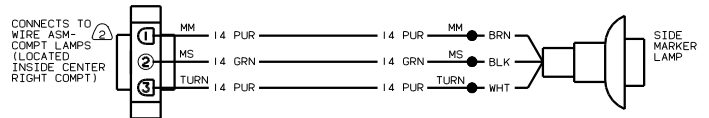


CAUTION

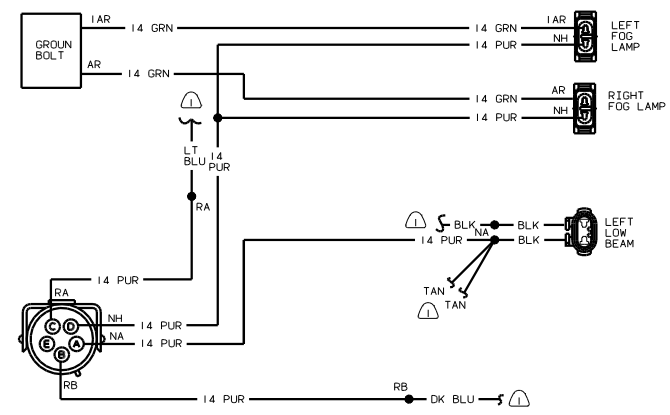
If you lack the skills, tools or equipment to perform diagnostic or repair work leave such work to an authorized Winnebago Industries dealer or other qualified shop.



WIRING DIAGRAM-LAMP, SIDEMARKER
 (CENTER LEFT)
 (WIRE ASM 107775-04)



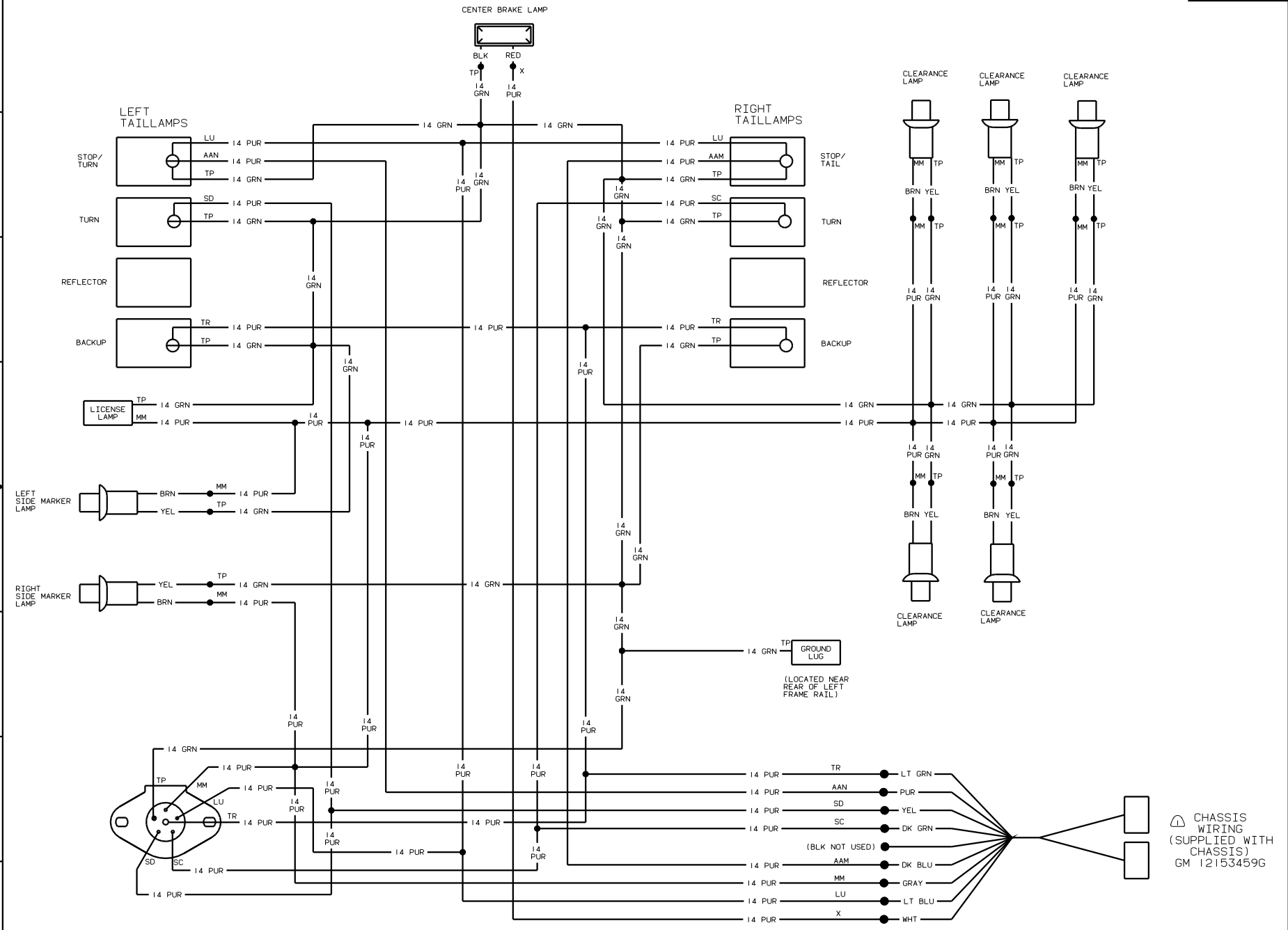
WIRING DIAGRAM-LAMP, SIDEMARKER
 (CENTER RIGHT)
 (WIRE ASM 107775-04)



WIRING DIAGRAM-HEADLAMP
 (WIRE ASM 129889)

WINNEBAGO		99 M-SERIES	
OF IN	DATE	UNSPECIFIED TOLERANCES ARE	INTERVAL
CHP	DATE	WHOLE OR .01	
PIE	DATE	ONE-PLACE OR .01	
PIE	DATE	TWO-PLACE OR .001	
PIE	DATE	ANGLES	
COMB	DATE	THRU HOLE	
		PROJECTION	
DRAWING TITLE: WIRING DIAGRAM-AUTO LAMPS			
SHEET NO	SCALE	NO. OF SHEETS	TITLE
1	1:1	2	128548

NOTES:
 (2) SEE WIRING DIAGRAM-BODY FOR ADDITIONAL INFORMATION.
 (1) SEE WIRING DIAGRAM AUTO FOR ADDITIONAL INFORMATION.



WIRING DIAGRAM-BACKWALL
(WIRE ASM 129212)

CHASSIS WIRING
(SUPPLIED WITH CHASSIS)
GM 12153459G

99 M-SERIES

NOTES:
1. SEE MANUFACTURER'S DIAGRAM FOR ADDITIONAL INFORMATION.

WIRING DIAGRAM-AUTO LAMPS	
NO. OF PAGES	TOTAL PAGES
2 OF 2	2
128548	