



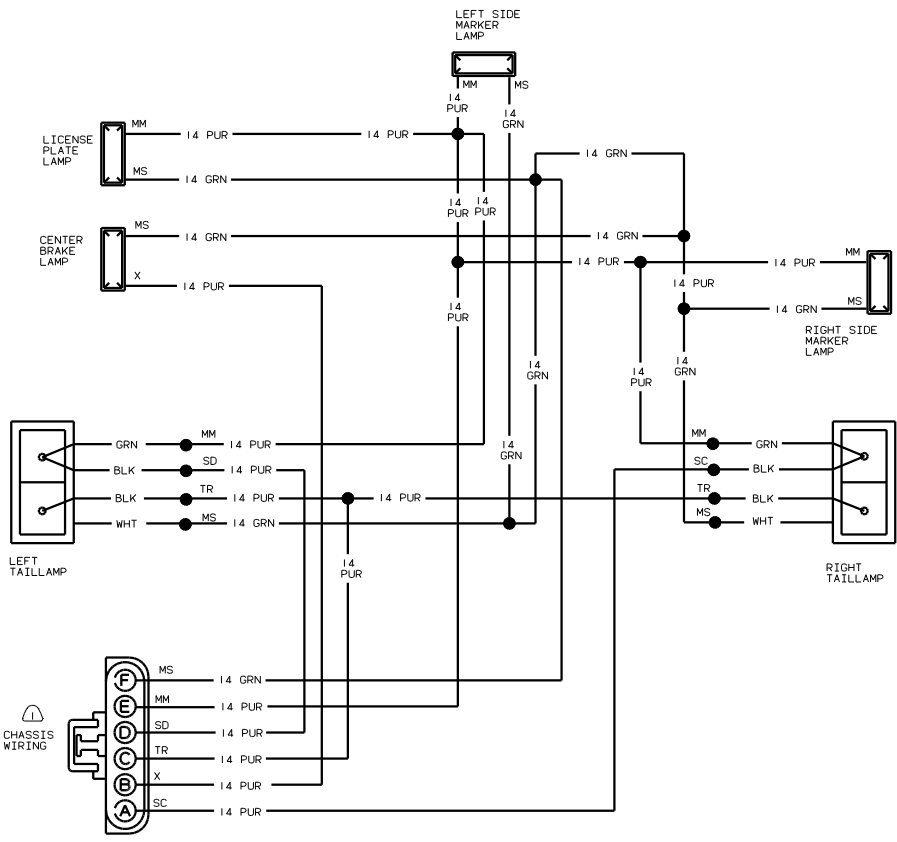
**DANGER**

**Danger of electrical shock, burns or death.** Always remove all power sources before attempting any repair, service or diagnostic work. Power can be present from shore power, generator, inverter or battery. All power sources must be disabled and secured before performing any service.



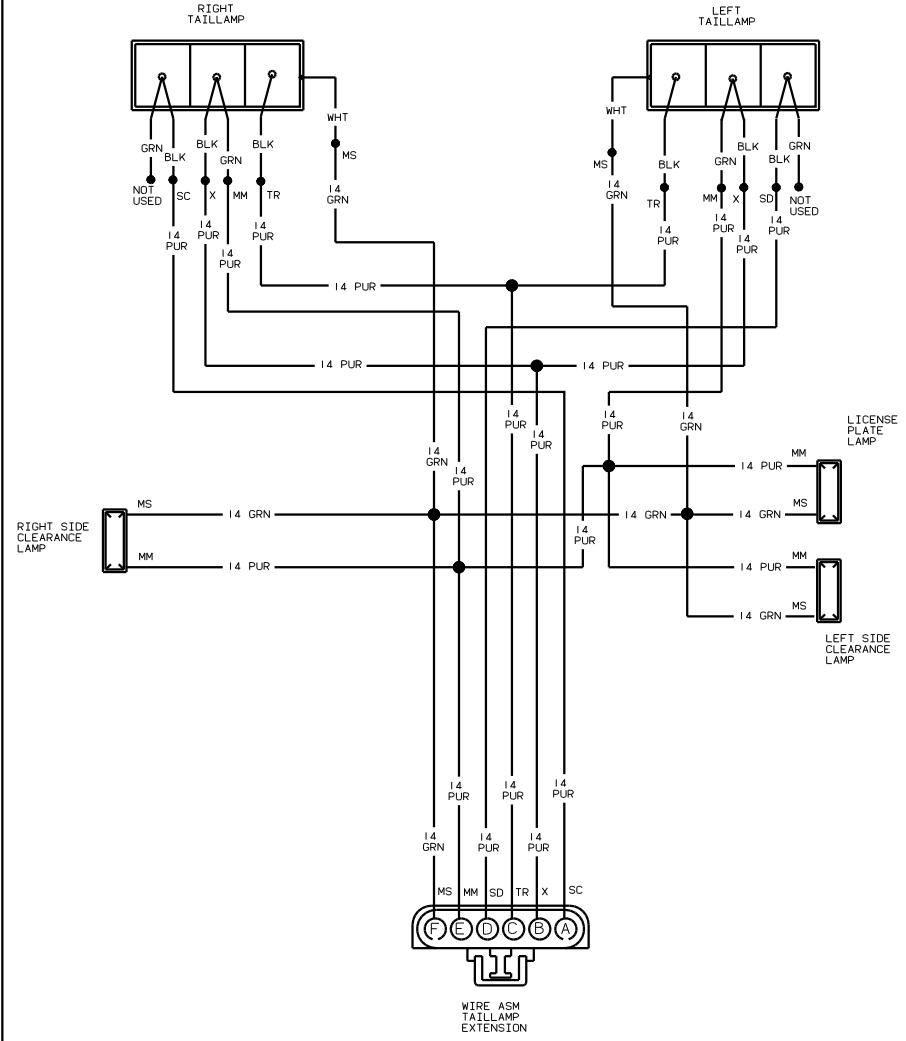
**CAUTION**

If you lack the skills, tools or equipment to perform diagnostic or repair work leave such work to an authorized Winnebago Industries dealer or other qualified shop.



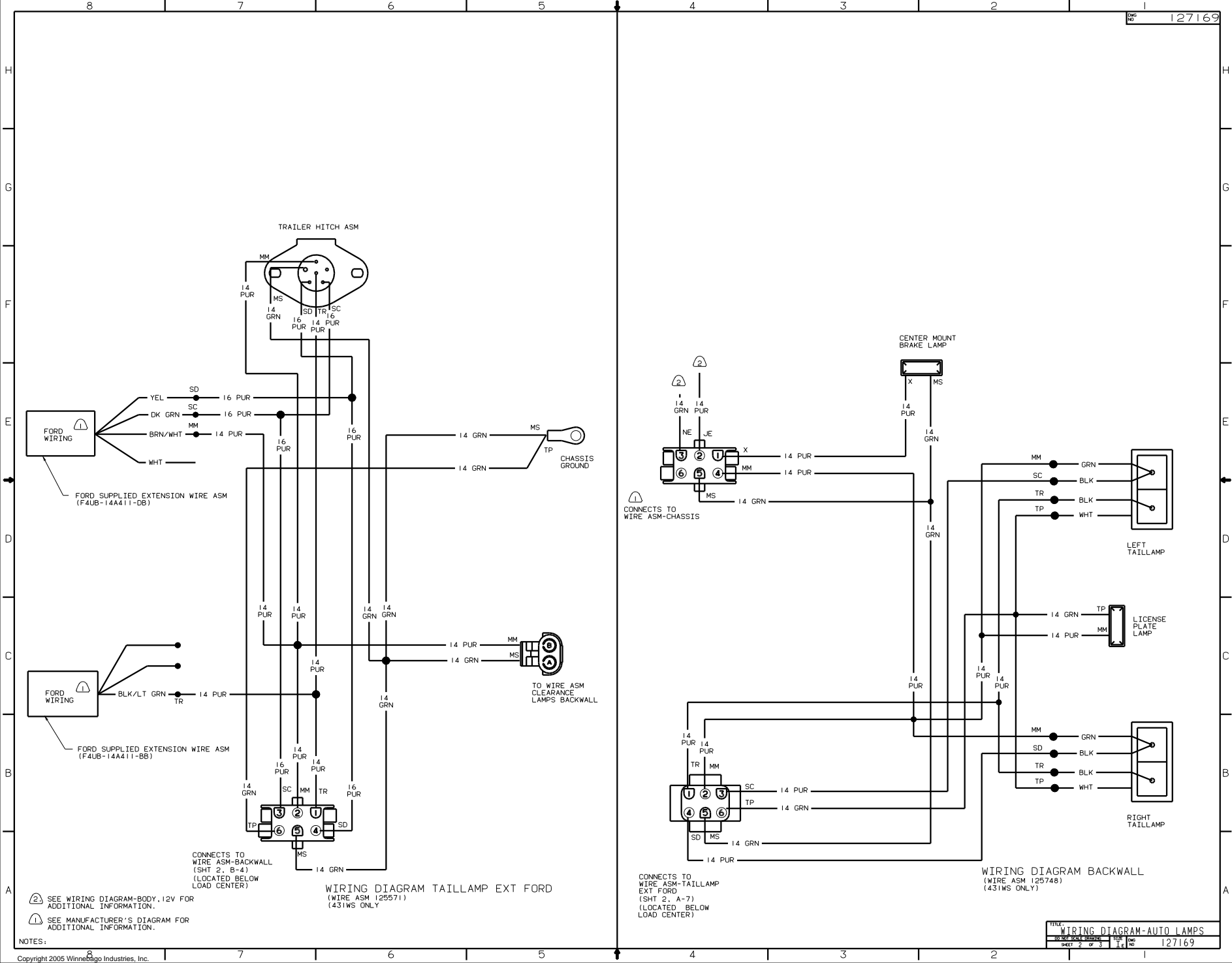
WIRING DIAGRAM-BACKWALL  
 (FORD OR CHEVY)  
 WIRE ASM 126226-01,-02,-03  
 (ALL EXCEPT 431WS)

SEE MANUFACTURER'S DIAGRAM FOR ADDITIONAL INFORMATION.



WIRING DIAGRAM-BACKWALL  
 (WIRE ASM 127163)  
 (JAPAN EXPORT)

WINNEBAGO		98 300/400
OF IN	DATE	UNSPECIFIED TOLERANCES ARE
CHP	DATE	WHOLE OR .01
D/E	DATE	ONE-PLACE (0.01)
D/E	DATE	TWO-PLACE (0.001)
D/E	DATE	THREE-PLACE (0.0001)
D/E	DATE	FOUR-PLACE (0.00001)
D/E	DATE	FIVE-PLACE (0.000001)
D/E	DATE	SIX-PLACE (0.0000001)
D/E	DATE	SEVEN-PLACE (0.00000001)
D/E	DATE	EIGHT-PLACE (0.000000001)
D/E	DATE	NINE-PLACE (0.0000000001)
D/E	DATE	TEN-PLACE (0.00000000001)
D/E	DATE	ELEVEN-PLACE (0.000000000001)
D/E	DATE	TWELVE-PLACE (0.0000000000001)
D/E	DATE	THIRTEEN-PLACE (0.00000000000001)
D/E	DATE	FOURTEEN-PLACE (0.000000000000001)
D/E	DATE	FIFTEEN-PLACE (0.0000000000000001)
D/E	DATE	SIXTEEN-PLACE (0.00000000000000001)
D/E	DATE	SEVENTEEN-PLACE (0.000000000000000001)
D/E	DATE	EIGHTEEN-PLACE (0.0000000000000000001)
D/E	DATE	NINETEEN-PLACE (0.00000000000000000001)
D/E	DATE	TWENTY-PLACE (0.000000000000000000001)
D/E	DATE	TWENTY-ONE-PLACE (0.0000000000000000000001)
D/E	DATE	TWENTY-TWO-PLACE (0.00000000000000000000001)
D/E	DATE	TWENTY-THREE-PLACE (0.000000000000000000000001)
D/E	DATE	TWENTY-FOUR-PLACE (0.0000000000000000000000001)
D/E	DATE	TWENTY-FIVE-PLACE (0.00000000000000000000000001)
D/E	DATE	TWENTY-SIX-PLACE (0.000000000000000000000000001)
D/E	DATE	TWENTY-SEVEN-PLACE (0.0000000000000000000000000001)
D/E	DATE	TWENTY-EIGHT-PLACE (0.00000000000000000000000000001)
D/E	DATE	TWENTY-NINE-PLACE (0.000000000000000000000000000001)
D/E	DATE	THIRTY-PLACE (0.0000000000000000000000000000001)
D/E	DATE	THIRTY-ONE-PLACE (0.00000000000000000000000000000001)
D/E	DATE	THIRTY-TWO-PLACE (0.000000000000000000000000000000001)
D/E	DATE	THIRTY-THREE-PLACE (0.0000000000000000000000000000000001)
D/E	DATE	THIRTY-FOUR-PLACE (0.00000000000000000000000000000000001)
D/E	DATE	THIRTY-FIVE-PLACE (0.000000000000000000000000000000000001)
D/E	DATE	THIRTY-SIX-PLACE (0.0000000000000000000000000000000000001)
D/E	DATE	THIRTY-SEVEN-PLACE (0.00000000000000000000000000000000000001)
D/E	DATE	THIRTY-EIGHT-PLACE (0.000000000000000000000000000000000000001)
D/E	DATE	THIRTY-NINE-PLACE (0.0000000000000000000000000000000000000001)
D/E	DATE	FOURTY-PLACE (0.001)
D/E	DATE	FOURTY-ONE-PLACE (0.0001)
D/E	DATE	FOURTY-TWO-PLACE (0.001)
D/E	DATE	FOURTY-THREE-PLACE (0.0001)
D/E	DATE	FOURTY-FOUR-PLACE (0.001)
D/E	DATE	FOURTY-FIVE-PLACE (0.0001)
D/E	DATE	FOURTY-SIX-PLACE (0.001)
D/E	DATE	FOURTY-SEVEN-PLACE (0.0001)
D/E	DATE	FOURTY-EIGHT-PLACE (0.001)
D/E	DATE	FOURTY-NINE-PLACE (0.0001)
D/E	DATE	FIFTY-PLACE (0.001)



TRAILER HITCH ASM

FORD WIRING

FORD SUPPLIED EXTENSION WIRE ASM (F4UB-14A411-DB)

FORD WIRING

FORD SUPPLIED EXTENSION WIRE ASM (F4UB-14A411-BB)

MS TP CHASSIS GROUND

MM MS TO WIRE ASM CLEARANCE LAMPS BACKWALL

CONNECTS TO WIRE ASM-BACKWALL (SHT 2, B-4) (LOCATED BELOW LOAD CENTER)

WIRING DIAGRAM TAILAMP EXT FORD (WIRE ASM 125571) (431WS ONLY)

CENTER MOUNT BRAKE LAMP

CONNECTS TO WIRE ASM-CHASSIS

LEFT TAILAMP

LICENSE PLATE LAMP

RIGHT TAILAMP

WIRING DIAGRAM BACKWALL (WIRE ASM 125748) (431WS ONLY)

- SEE WIRING DIAGRAM-BODY. 12V FOR ADDITIONAL INFORMATION.
- SEE MANUFACTURER'S DIAGRAM FOR ADDITIONAL INFORMATION.

CONNECTS TO WIRE ASM-TAILAMP EXT FORD (SHT 2, A-7) (LOCATED BELOW LOAD CENTER)

