



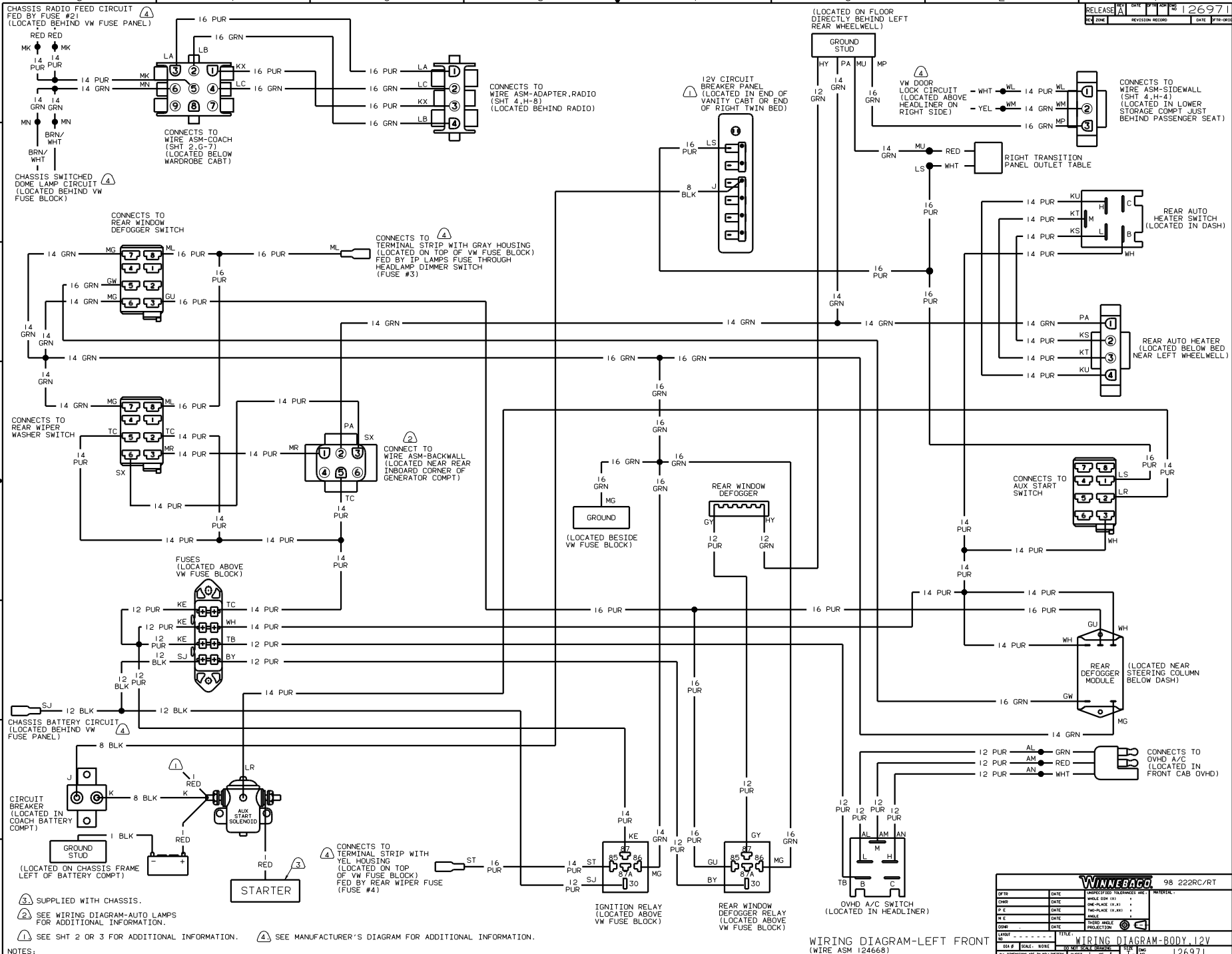
**DANGER**

**Danger of electrical shock, burns or death.** Always remove all power sources before attempting any repair, service or diagnostic work. Power can be present from shore power, generator, inverter or battery. All power sources must be disabled and secured before performing any service.



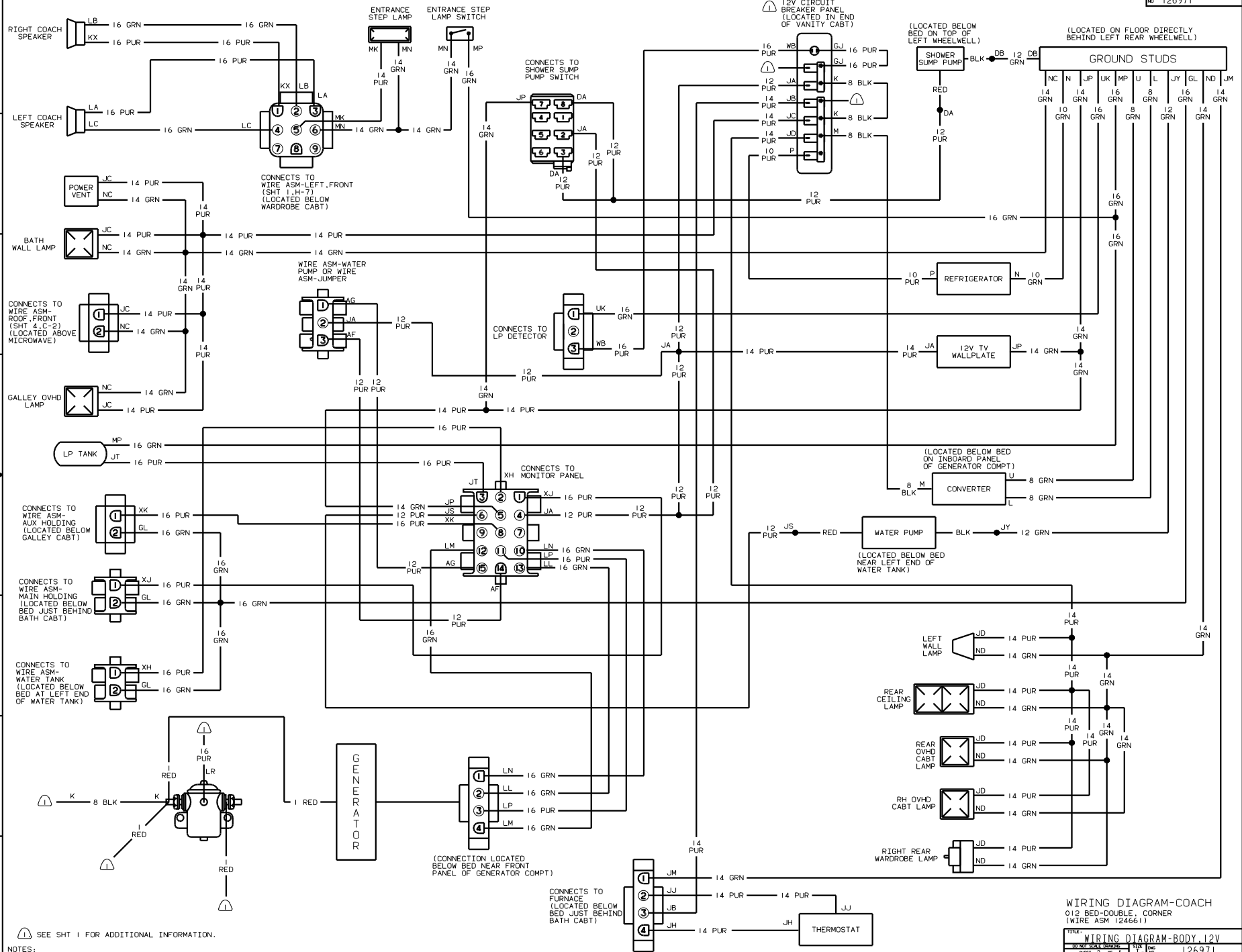
**CAUTION**

If you lack the skills, tools or equipment to perform diagnostic or repair work leave such work to an authorized Winnebago Industries dealer or other qualified shop.



- ③ SUPPLIED WITH CHASSIS.
- ② SEE WIRING DIAGRAM-AUTO LAMPS FOR ADDITIONAL INFORMATION.
- ① SEE SHT 2 OR 3 FOR ADDITIONAL INFORMATION.
- ④ SEE MANUFACTURER'S DIAGRAM FOR ADDITIONAL INFORMATION.

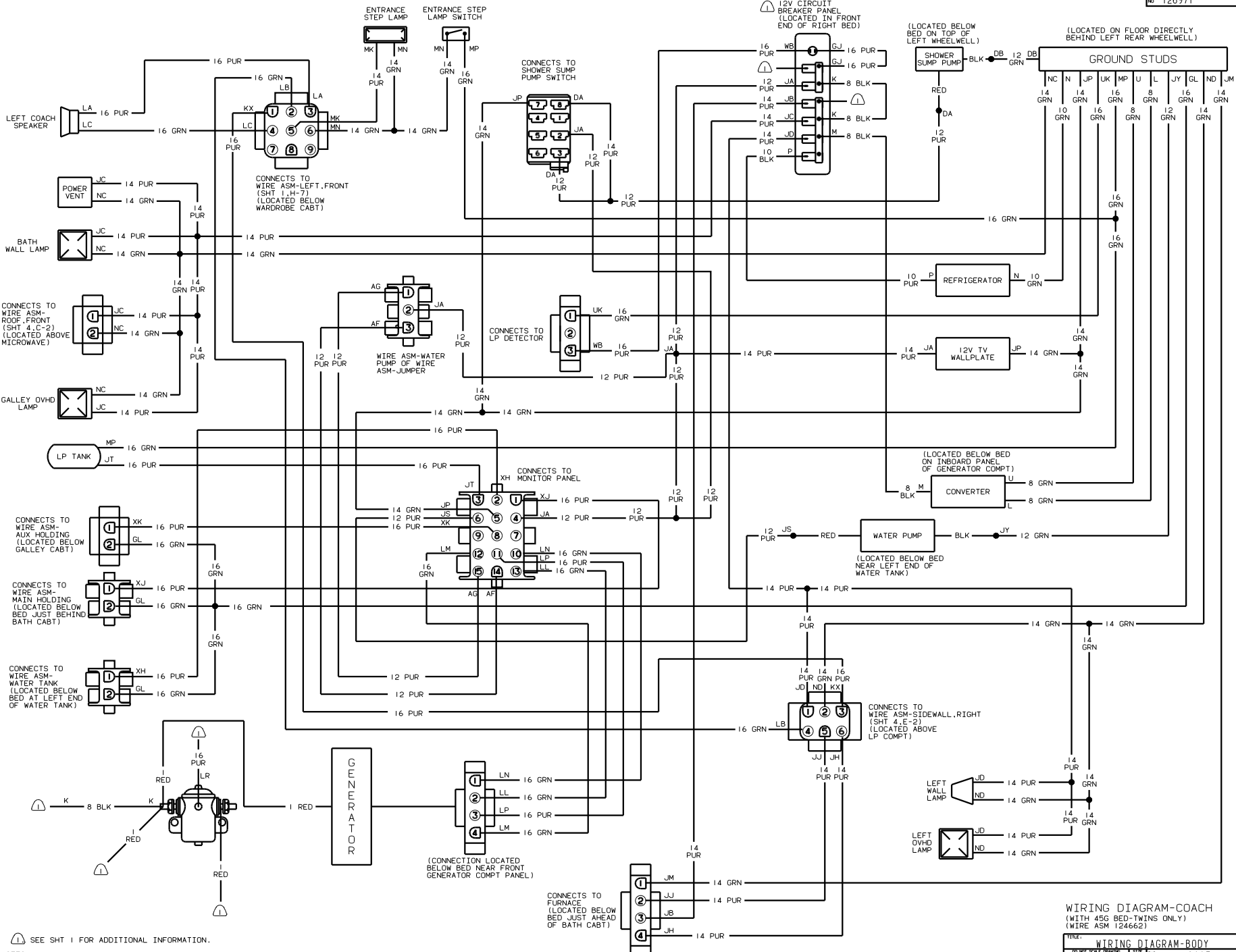
WINNEBAGO		98 222RC/RT	
DATE	UNDESIGNED TOLERANCES ARE:	DATE	MATERIAL
DATE	WHOLE OR 1/16"	DATE	
DATE	ONE-PLACE (1/32)"	DATE	
DATE	TWO-PLACE (1/64)"	DATE	
DATE	MILL	DATE	
DATE	THIRD PLACE	DATE	
DATE	FOURTH PLACE	DATE	
DATE	FIFTH PLACE	DATE	
DATE	SIXTH PLACE	DATE	
DATE	SEVENTH PLACE	DATE	
DATE	EIGHTH PLACE	DATE	
DATE	NINTH PLACE	DATE	
DATE	TENTH PLACE	DATE	
DATE	ELEVENTH PLACE	DATE	
DATE	TWELFTH PLACE	DATE	
DATE	THIRTEENTH PLACE	DATE	
DATE	FOURTEENTH PLACE	DATE	
DATE	FIFTEENTH PLACE	DATE	
DATE	SIXTEENTH PLACE	DATE	
DATE	SEVENTEENTH PLACE	DATE	
DATE	EIGHTEENTH PLACE	DATE	
DATE	NINETEENTH PLACE	DATE	
DATE	TWENTIETH PLACE	DATE	
DATE	UNDESIGNED TOLERANCES ARE:	DATE	
DATE	WHOLE OR 1/16"	DATE	
DATE	ONE-PLACE (1/32)"	DATE	
DATE	TWO-PLACE (1/64)"	DATE	
DATE	MILL	DATE	
DATE	THIRD PLACE	DATE	
DATE	FOURTH PLACE	DATE	
DATE	FIFTH PLACE	DATE	
DATE	SIXTH PLACE	DATE	
DATE	SEVENTH PLACE	DATE	
DATE	EIGHTH PLACE	DATE	
DATE	NINTH PLACE	DATE	
DATE	TENTH PLACE	DATE	
DATE	ELEVENTH PLACE	DATE	
DATE	TWELFTH PLACE	DATE	
DATE	THIRTEENTH PLACE	DATE	
DATE	FOURTEENTH PLACE	DATE	
DATE	FIFTEENTH PLACE	DATE	
DATE	SIXTEENTH PLACE	DATE	
DATE	SEVENTEENTH PLACE	DATE	
DATE	EIGHTEENTH PLACE	DATE	
DATE	NINETEENTH PLACE	DATE	
DATE	TWENTIETH PLACE	DATE	



NOTES: SEE SHT 1 FOR ADDITIONAL INFORMATION.

WIRING DIAGRAM-COACH  
012 BED-DOUBLE, CORNER  
(WIRE ASM 124661)

TITLE:	WIRING DIAGRAM-BODY 12V
DATE:	11/16/01
SHEET:	2 OF 4
REV:	1.0
NO:	126971



SEE SHT 1 FOR ADDITIONAL INFORMATION.

NOTES:

WIRING DIAGRAM-COACH  
(WITH 45G BED-TWINS ONLY)  
(WIRE ASM 124662)

TITLE:	WIRING DIAGRAM-BODY
NO. OF SHEETS:	4
SHEET:	3 OF 4
REV:	1 E
DATE:	126971

