



**DANGER**

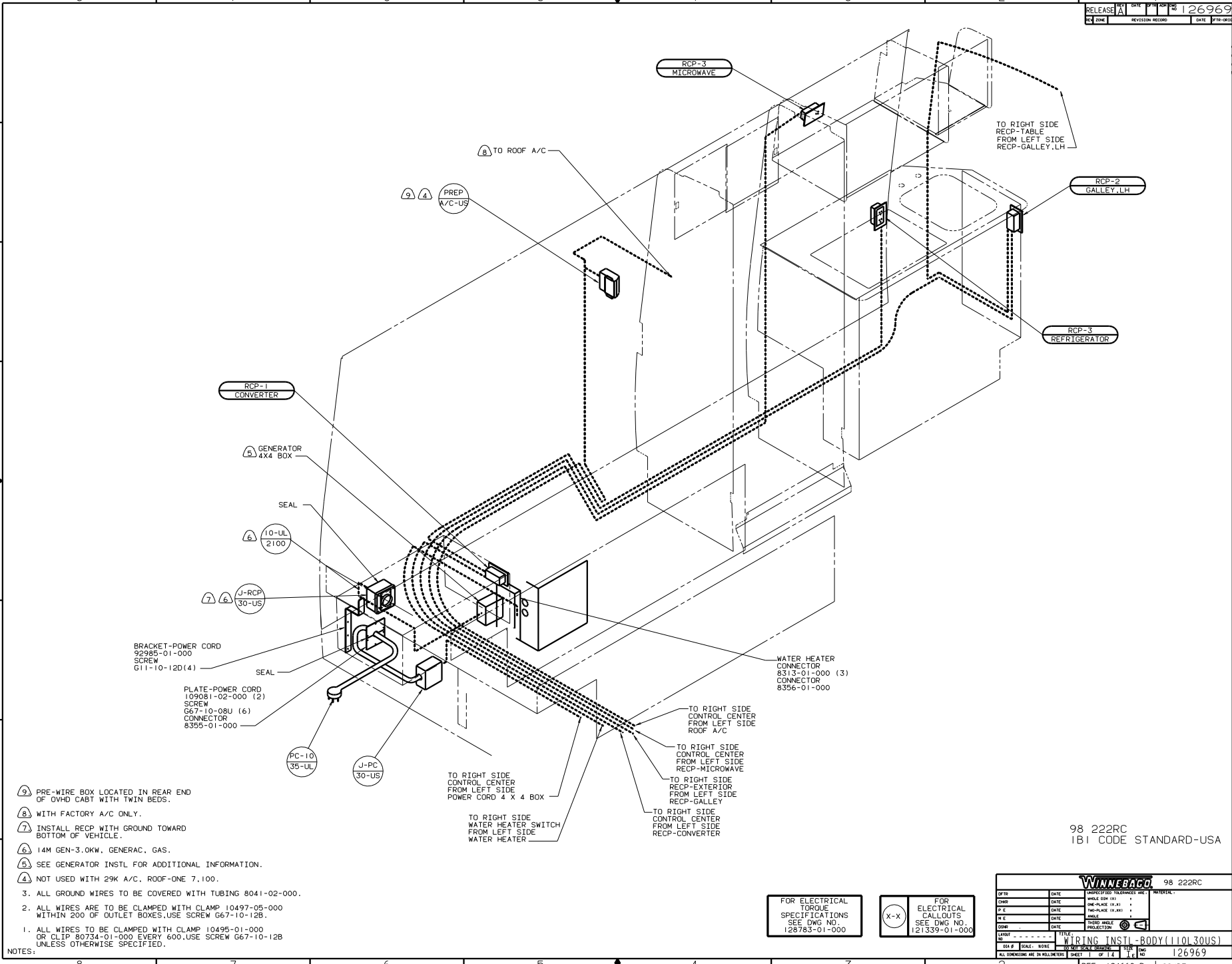
**Danger of electrical shock, burns or death.** Always remove all power sources before attempting any repair, service or diagnostic work. Power can be present from shore power, generator, inverter or battery. All power sources must be disabled and secured before performing any service.



**CAUTION**

If you lack the skills, tools or equipment to perform diagnostic or repair work leave such work to an authorized Winnebago Industries dealer or other qualified shop.

H  
G  
F  
E  
D  
C  
B  
A



- 9. PRE-WIRE BOX LOCATED IN REAR END OF OVHD CABT WITH TWIN BEDS.
  - 8. WITH FACTORY A/C ONLY.
  - 7. INSTALL RECP WITH GROUND TOWARD BOTTOM OF VEHICLE.
  - 6. 14M GEN-3.0KW., GENERAC. GAS.
  - 5. SEE GENERATOR INSTL FOR ADDITIONAL INFORMATION.
  - 4. NOT USED WITH 29K A/C. ROOF-ONE 7.100.
3. ALL GROUND WIRES TO BE COVERED WITH TUBING 8041-02-000.
2. ALL WIRES ARE TO BE CLAMPED WITH CLAMP 10497-05-000 WITHIN 200 OF OUTLET BOXES. USE SCREW G67-10-12B.
1. ALL WIRES TO BE CLAMPED WITH CLAMP 10495-01-000 OR CLIP 80734-01-000 EVERY 600. USE SCREW G67-10-12B UNLESS OTHERWISE SPECIFIED.

NOTES:

FOR ELECTRICAL TORQUE SPECIFICATIONS SEE DWG NO. 126783-01-000

(X-X) FOR ELECTRICAL CALLOUTS SEE DWG NO. 121339-01-000

98 222RC  
IBI CODE STANDARD-USA

		98 222RC	
		TITLE: WIRING INSTL-BODY (110130US)	
OF 11	DATE	UNSPECIFIED TOLERANCES ARE:	MATERIAL
OMP	DATE	WHOLE DIM (1)	
PIE	DATE	ONE-PLACE (16.21)	
PLC	DATE	TWO-PLACE (16.26)	
DATE	DATE	ANGLE	
COMP	DATE	INDIC. W/ANGLE	
		PROJECTION	
LANST	DATE		
REV #	SCALE	NOTE	DATE
		20:20 SCALE	1/16
		ALL DIMENSIONS ARE IN MILLIMETERS	
		SHEET 1 OF 14	126969

FROM LEFT SIDE  
RECP-GALLEY, LH  
TO RIGHT SIDE  
RECP-TABLE

4

RCP-2  
TABLE

GFI-US  
NIGHTSTAND

SWITCH-WATER HEATER  
84420-01-000  
LABEL  
83588-01-000

RCP-E  
EXTERIOR 5

LOAD CENTER  
(SEE SHT 4)

FROM LEFT SIDE  
A/C, ROOF  
TO RIGHT SIDE  
CONTROL CENTER

FROM LEFT SIDE  
RECP-MICROWAVE  
TO RIGHT SIDE  
CONTROL CENTER

FROM LEFT SIDE  
RECP-GALLEY, LH  
TO RIGHT SIDE  
RECP-EXTERIOR

FROM LEFT SIDE  
POWER CORD 4X4 BOX  
TO RIGHT SIDE  
CONTROL CENTER

FROM LEFT SIDE  
WATER HEATER  
TO RIGHT SIDE  
WATER HEATER SWITCH

FROM LEFT SIDE  
RECP-CONVERTER  
TO RIGHT SIDE  
CONTROL CENTER

- 5 SEAL BACK SIDE OF RECP FACE.
- 4 WIRE ROUTED THRU SIDEWALL.
3. ALL GROUND WIRES TO BE COVERED WITH TUBING 8041-02-000.
2. ALL WIRES ARE TO BE CLAMPED WITH CLAMP 10497-05-000 WITHIN 200 OF OUTLET BOXES. USE SCREW G67-10-12B.
1. ALL WIRES TO BE CLAMPED WITH CLAMP 10495-01-000 OR CLIP 80734-01-000 EVERY 600. USE SCREW G67-10-12B UNLESS OTHERWISE SPECIFIED.

NOTES:

FOR ELECTRICAL  
TORQUE  
SPECIFICATIONS  
SEE DWG NO.  
128783-01-000

FOR  
ELECTRICAL  
CALLOUTS  
SEE DWG NO.  
121339-01-000

97 222RC  
181 CODE STANDARDS-USA  
44V BED-DOUBLE, SIDEWALL

WIRING INSTL-BODY(110R30US)  
SHEET 2 OF 14  
126969

FROM LEFT SIDE  
RECP-GALLEY  
TO RIGHT SIDE  
RECP-TABLE

RCP-2  
TABLE

4

SWITCH-WATER HEATER  
84420-01-000  
LABEL  
83588-01-000

RCP-E  
EXTERIOR

LOAD CENTER  
(SEE SHT 4)

GFT-US  
NIGHTSTAND

FROM LEFT SIDE  
RECP-MICROWAVE  
TO RIGHT SIDE  
CONTROL CENTER

FROM LEFT SIDE  
A/C ROOF  
TO RIGHT SIDE  
CONTROL CENTER

FROM LEFT SIDE  
POWER CORD 4X4 BOX  
TO RIGHT SIDE  
CONTROL CENTER

FROM LEFT SIDE  
WATER HEATER  
TO RIGHT SIDE  
WATER HEATER SWITCH

FROM LEFT SIDE  
RECP-CONVERTER  
TO RIGHT SIDE  
CONTROL CENTER

FROM LEFT SIDE  
RECP-GALLEY LH  
TO RIGHT SIDE  
RECP-EXTERIOR

- 5 SEAL BACK SIDE OF RECP FACE.
- 4 WIRE ROUTED IN SIDEWALL.
- 3. ALL GROUND WIRES TO BE COVERED WITH TUBING 8011-02-000.
- 2. ALL WIRES ARE TO BE CLAMPED WITH CLAMP 10497-05-000 WITHIN 200 OF OUTLET BOXES. USE SCREW G67-10-12B.
- 1. ALL WIRES TO BE CLAMPED WITH CLAMP 10495-01-000 OR CLIP 80734-01-000 EVERY 600. USE SCREW G67-10-12B UNLESS OTHERWISE SPECIFIED.

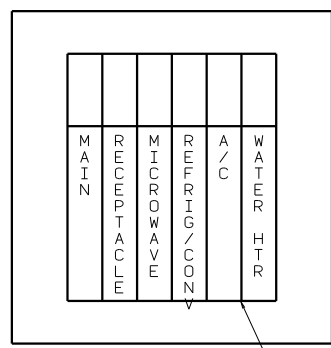
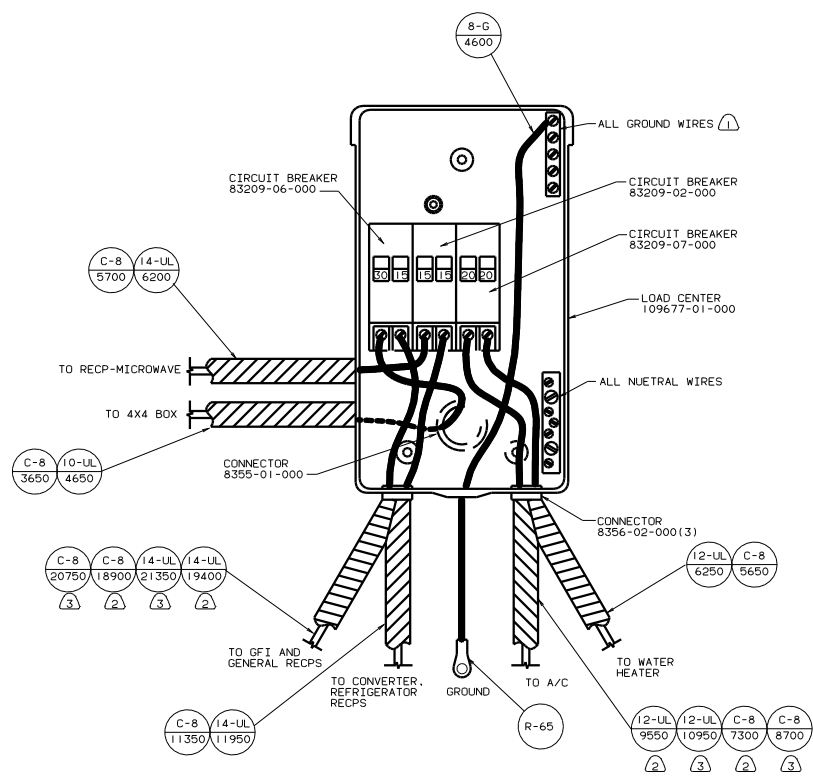
NOTES:

FOR ELECTRICAL  
TORQUE  
SPECIFICATIONS  
SEE DWG NO.  
128783-01-000

FOR  
ELECTRICAL  
CALLOUTS  
SEE DWG NO.  
121339-01-000

98 222RC  
45G BED-TWINS  
1B1 CODE STANDARDS-USA

WIRING INSTL-BODY(11OR30US)  
1 of 14  
124668



INSTALL LABEL ON BACK SIDE OF CABINET ACCESS DOOR.  
 LABEL 95721-15-000

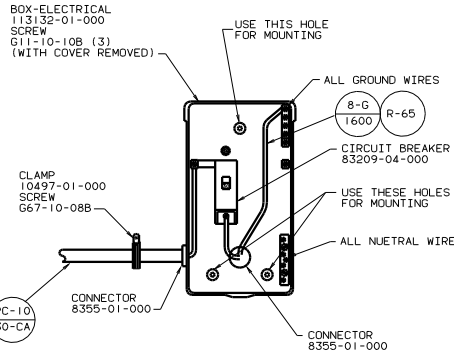
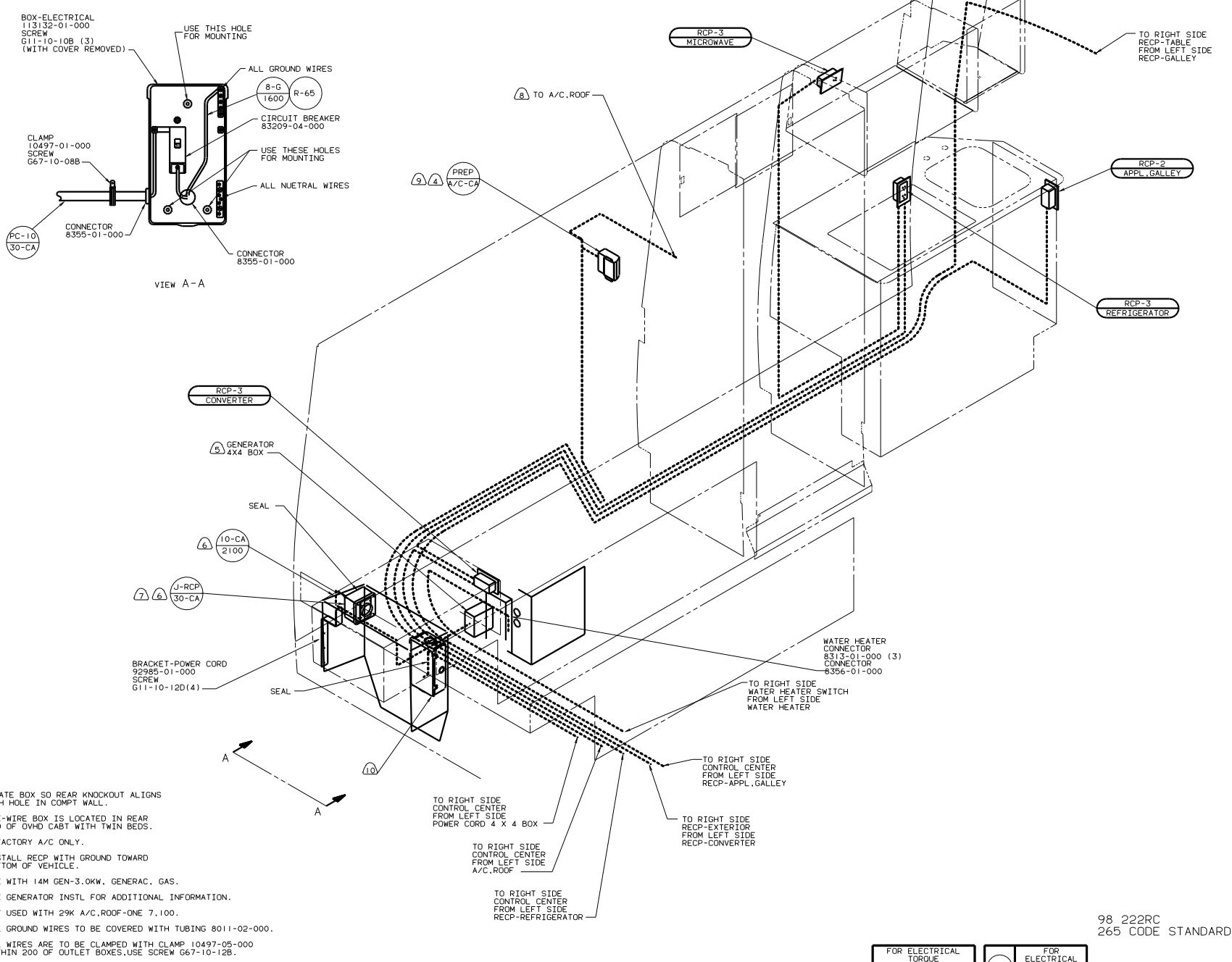
- NOTES:
- ③ 45G BED-TWINS.
  - ② 44V BED-DOUBLE, SIDEWALL.
  - ① ALL GROUND WIRES TO BE COVERED WITH TUBING 8041-02-000.

FOR ELECTRICAL TORQUE SPECIFICATIONS SEE DWS NO. 128783-01-000

FOR ELECTRICAL CALLOUTS SEE DWS NO. 121339-01-000

LOAD CENTER (US)  
 98 222RC  
 IBI CODE STANDARDS-USA

TITLE		WIRING INSTL-BODY(30 LC US)	
DATE	BY	DATE	BY
10/21/04	5010	10/21/04	5010
SHEET 4 of 14	FIG. NO.	126969	



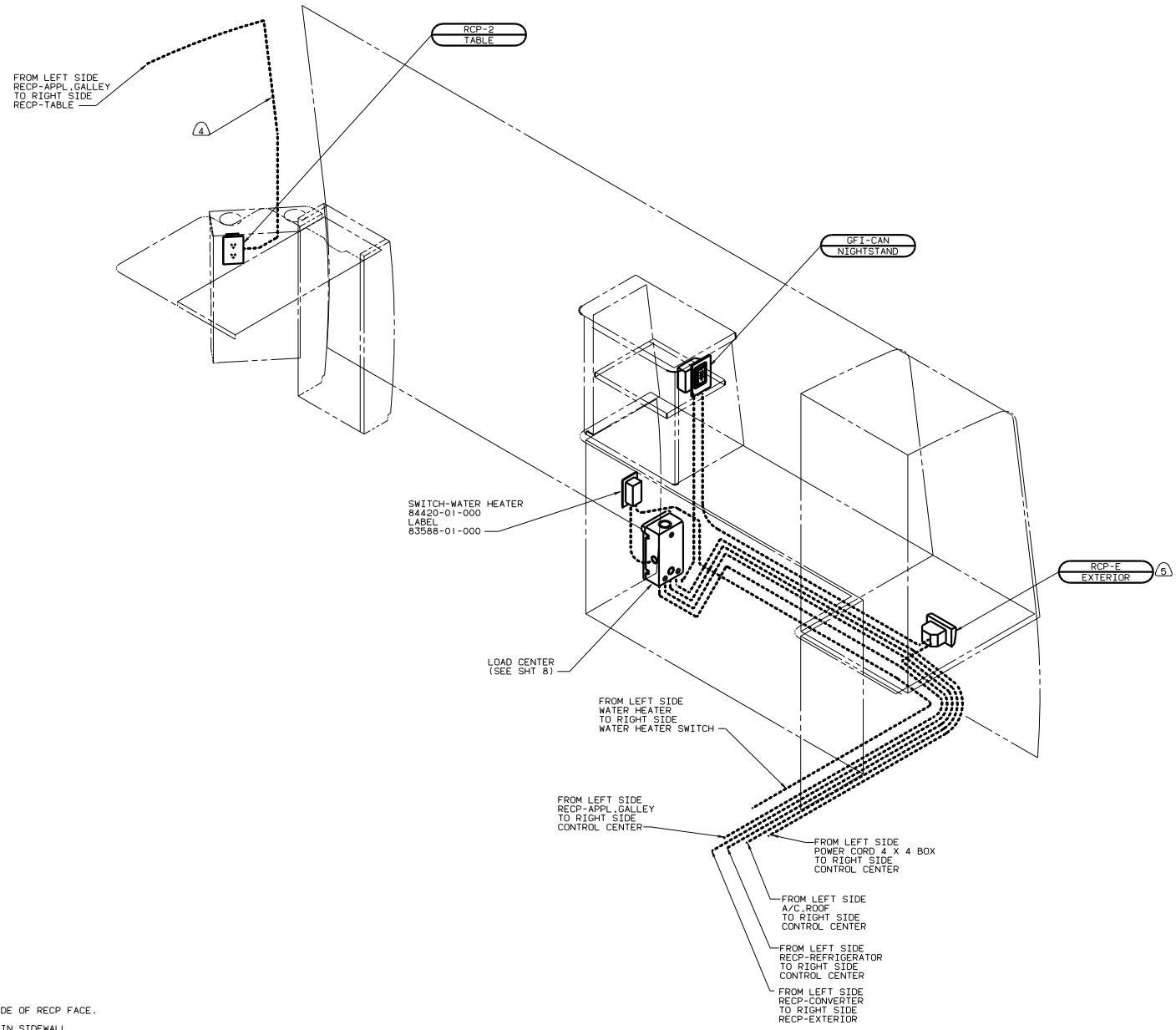
- 10 LOCATE BOX SO REAR KNOCKOUT ALIGNS WITH HOLE IN COMPT WALL.
- 9 PRE-WIRE BOX IS LOCATED IN REAR END OF OVHD CABT WITH TWIN BEDS.
- 8 W/FACORY A/C ONLY.
- 7 INSTALL RECP WITH GROUND TOWARD BOTTOM OF VEHICLE.
- 6 USE WITH 14M GEN-3.0KW. GENERAC. GAS.
- 5 SEE GENERATOR INSTL FOR ADDITIONAL INFORMATION.
- 4 NOT USED WITH 29K A/C,ROOF-ONE 7.100.
3. ALL GROUND WIRES TO BE COVERED WITH TUBING 8011-02-000.
2. ALL WIRES ARE TO BE CLAMPED WITH CLAMP 10497-05-000 WITHIN 200 OF OUTLET BOXES,USE SCREW G67-10-12B.
1. ALL WIRES TO BE CLAMPED WITH CLAMP 10495-01-000 OR CLIP 80734-01-000 EVERY 600,USE SCREW G67-10-12B UNLESS OTHERWISE SPECIFIED.

FOR ELECTRICAL  
TORQUE  
SPECIFICATIONS  
SEE DWG NO.  
128783-01-000

FOR  
ELECTRICAL  
CALLOUTS  
SEE DWG NO.  
121339-01-000

98 222RC  
265 CODE STANDARDS-CSA

TITLE: WIRING INSTL-BODY(110130CAN)  
SHEET 5 OF 14  
126969



- 5) SEAL BACK SIDE OF RECP FACE.
- 4) WIRE ROUTED IN SIDEWALL.
- 3. ALL GROUND WIRES TO BE COVERED WITH TUBING 8011-02-000.
- 2. ALL WIRES ARE TO BE CLAMPED WITH CLAMP 10497-05-000 WITHIN 200 OF OUTLET BOXES, USE SCREW G67-10-12B.
- 1. ALL WIRES TO BE CLAMPED WITH CLAMP 10495-01-000 OR CLIP 80734-01-000 EVERY 600, USE SCREW G67-10-12B UNLESS OTHERWISE SPECIFIED.

NOTES:

FOR ELECTRICAL  
TORQUE  
SPECIFICATIONS  
SEE DWG NO.  
128783-01-000

FOR  
ELECTRICAL  
CALLOUTS  
SEE DWG NO.  
121339-01-000

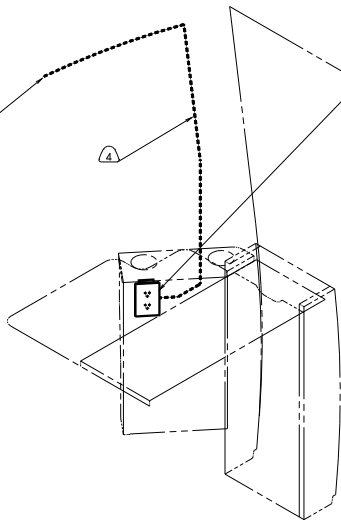
98 222RC  
44V BED-DOUBLE SIDEWALL  
265 CODE STANDARDS-CSA

TITLE: WIRING INSTL-BODY (110R30CAN)  
DWG NO: 126969  
SHEET 6 OF 14

FROM LEFT SIDE  
RECP-APPL. GALLEY  
TO RIGHT SIDE  
RECP-TABLE

RCP-2  
TABLE

4



SWITCH-WATER HEATER  
84420-01-000  
LABEL  
83588-01-000

LOAD CENTER  
(SEE SHT 8)

FROM LEFT SIDE  
WATER HEATER  
TO RIGHT SIDE  
WATER HEATER SWITCH

RCP-E  
EXTERIOR

5

GFT-CAN  
NIGHTSTAND

FROM LEFT SIDE  
POWER CORD 4 X 4 BOX  
TO RIGHT SIDE  
CONTROL CENTER

FROM LEFT SIDE  
A/C ROOF  
TO RIGHT SIDE  
CONTROL CENTER

FROM LEFT SIDE  
RECP-REFRIGERATOR  
TO RIGHT SIDE  
CONTROL CENTER

FROM LEFT SIDE  
RECP-CONVERTER  
TO RIGHT SIDE  
RECP-EXTERIOR

FROM LEFT SIDE  
RECP-APPL. GALLEY  
TO RIGHT SIDE  
CONTROL CENTER

5 SEAL BACK SIDE OF RECP FACE.

4 WIRE ROUTED IN SIDEWALL.

3. ALL GROUND WIRES TO BE COVERED WITH TUBING 8011-02-000.

2. ALL WIRES ARE TO BE CLAMPED WITH CLAMP 10497-05-000 WITHIN 200 OF OUTLET BOXES. USE SCREW G67-10-12B.

1. ALL WIRES TO BE CLAMPED WITH CLAMP 10495-01-000 OR CLIP 80734-01-000 EVERY 600. USE SCREW G67-10-12B UNLESS OTHERWISE SPECIFIED.

NOTES:

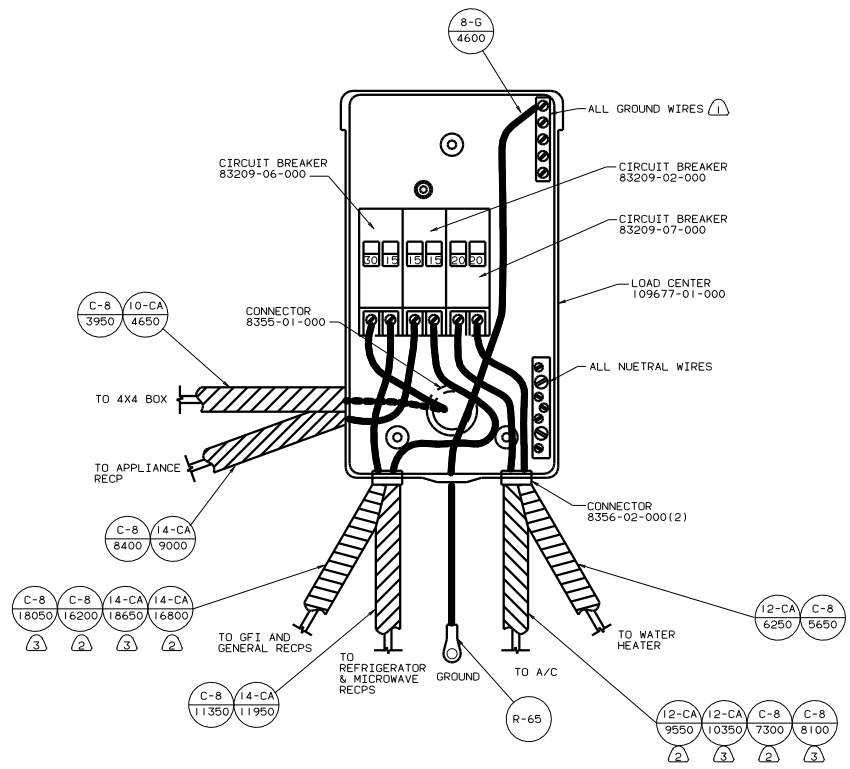
98 222RC  
45G BED-TWINS  
265 CODE STANDARDS-CSA

FOR ELECTRICAL  
TORQUE  
SPECIFICATIONS  
SEE DWG NO.  
128763-01-000

FOR  
ELECTRICAL  
CALLOUTS  
SEE DWG NO.  
121339-01-000

TITLE: WIRING INSTL-BODY(110R30CAN)  
SHEET 7 OF 15  
126969





M	R	A	R	A	W
A	E	P	E	/	A
I	C	P	R	C	T
N	&	L	/	H	R
	C	I	M		
	O	N	I		
	N	C	C		
	V	E	R		

INSTALL LABEL ON BACK SIDE OF CABINET ACCESS DOOR.  
 LABEL 95721-16-000

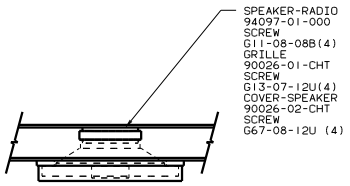
- NOTES:  
 (3) WITH TWIN BEDS.  
 (2) WITH DOUBLE BED.  
 (1) ALL GROUND WIRES TO BE COVERED WITH TUBING 8041-02-000.

FOR ELECTRICAL TORQUE SPECIFICATIONS SEE DWG NO. 128763-01-000

FOR ELECTRICAL CALLOUTS SEE DWG NO. 121339-01-000

LOAD CENTER (CAN)  
 98 222RC  
 265 CODE STANDARDS-CSA

TITLE		DRAWING NO.	
WIRING INSTL-BODY(30 LC CAN)		121339-01-000	
SHEET 8 OF 14		126969	



DETAIL B-B  
(2 PLCS)

- (2) JUMPER 103493-01-000
- (4) WIRE ASM-WATER PUMP SWITCH 103494-04-000
- (4) SWITCH 108357-08-CHT
- (4) ACTUATOR 108356-02-CHT

- (3) SWITCH SHOWER,SUMP 108357-14-000
- (3) ACTUATOR 108356-10-CHT

THERMOSTAT  
115764-01-CHT  
SCREW  
G13-07-12B (2)  
(SEE DETAIL C)

LAMP-WALL  
87140-12-CHT  
BULB  
117805-01-000  
SCREW  
G11-08-16J (2)  
CONNECTOR  
58028-01-000 (2)

MP,N,UK,ND,NC,GL,  
JP,UM,JY,DB,L,U  
WIRE ASM-COACH  
HY,MU,PA  
WIRE ASM-LEFT FRONT  
TO GROUND

CONVERTER  
123058-02-000  
SCREW  
G39-08-16B (4)  
CONNECTOR  
8356-02-000

M,L,U TO CONVERTER

TO WIRE ASM-BACKWALL

WIRE ASM-COACH TO RIGHT SIDE

WIRE ASM-LEFT.FRONT TO RIGHT SIDE

TO WIRE ASM-ROOF.FRONT

LOI-1 GALLY

TO POWER VENT

WIRE ASM-LEFT.FRONT TO RIGHT SIDE

PANEL-MONITOR  
114014-02-CHT  
SCREW  
G67-06-28U (2)

WIRE ASM-LEFT.FRONT TO DASH SWITCHES

LF2-1 BDRM

WIRE ASM-AUX HOLDING 96451-06-000

AUX HOLDING TANK

TO REFRIGERATOR

EXTERIOR WATER CENTER

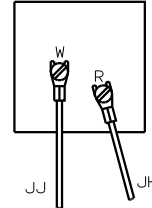
MAIN HOLDING TANK

WIRE ASM-MAIN HOLDING 96450-02-000

FURNACE

REAR AUTO HEATER

WIRE ASM-COACH 124661-01-000



DETAIL C  
(BACK OF SUBBASE)

12V LEFT (US/CAN)  
98 222RC  
44V BED-DOUBLE,SIDEWALL  
265 CODE STANDARDS-CSA  
1B1 CODE STANDARDS-USA

- (4) 64R EXTERIOR WASH PACKAGE.
- (3) 140 SHOWER PACKAGE.
- (2) NOT USED WITH 64R EXTERIOR WASH STATION.
- (1) SEE DRAWING INSTL-FRONT END FOR ADDITIONAL INFORMATION.

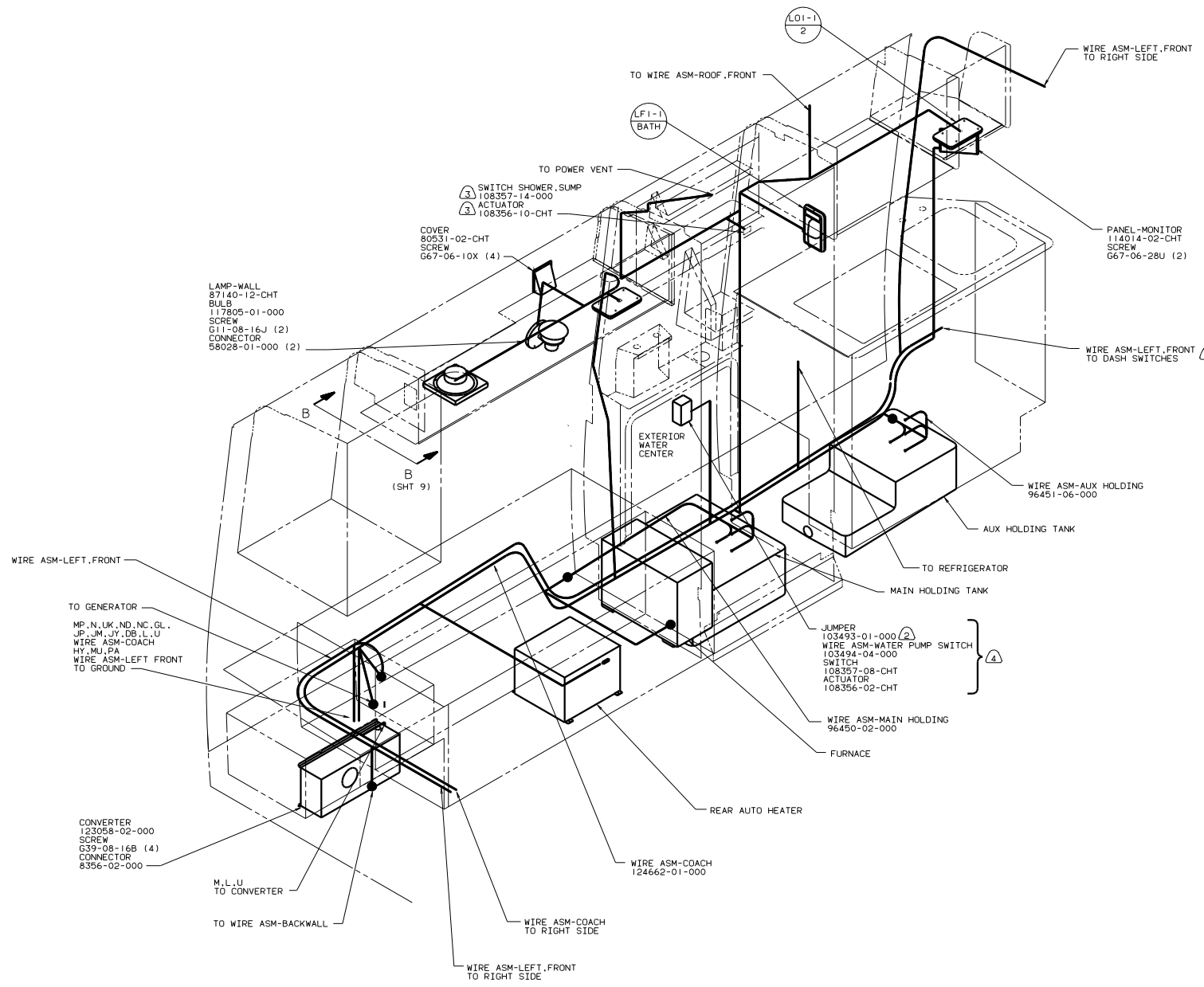
NOTES:

FOR ELECTRICAL  
TORQUE  
SPECIFICATIONS  
SEE DWG NO.  
128783-01-000



FOR ELECTRICAL  
CALLOUTS  
SEE DWG NO.  
121339-01-000

TITLE: WIRING INSTL-BODY(12 L)  
DWG NO: 124668  
SHEET 9 OF 14  
REV: 1  
DATE: 12699



LAMP-WALL  
87140-12-CHT  
BULB  
117805-01-000  
SCREW  
G11-08-16J (2)  
CONNECTOR  
58028-01-000 (2)

COVER  
80531-02-CHT  
SCREW  
G67-06-10X (4)

SWITCH SHOWER, PUMP  
ACTUATOR  
108357-14-000  
108356-10-CHT

PANEL-MONITOR  
114014-02-CHT  
SCREW  
G67-06-28U (2)

WIRE ASM-LEFT.FRONT  
TO DASH SWITCHES

WIRE ASM-AUX HOLDING  
96451-06-000

TO REFRIGERATOR  
MAIN HOLDING TANK

JUMPER  
103493-01-000 (2)  
WIRE ASM-WATER PUMP SWITCH  
103494-04-000  
SWITCH  
108357-08-CHT  
ACTUATOR  
108356-02-CHT

WIRE ASM-MAIN HOLDING  
96450-02-000

FURNACE

REAR AUTO HEATER

WIRE ASM-COACH  
124662-01-000

WIRE ASM-COACH  
TO RIGHT SIDE

WIRE ASM-LEFT.FRONT  
TO RIGHT SIDE

CONVERTER  
123058-02-000  
SCREW  
G39-08-16B (4)  
CONNECTOR  
8356-02-000

M.L.U.  
TO CONVERTER

TO WIRE ASM-BACKWALL

TO GENERATOR  
MP, N, UK, ND, NC, GL,  
JP, UM, JV, DB, L, U  
WIRE ASM-COACH  
HY, MU, PA  
WIRE ASM-LEFT FRONT  
TO GROUND

WIRE ASM-LEFT.FRONT

B  
(SHT 9)

B

- 4 64R EXTERIOR SHOWER PACKAGE.
- 3 140 SHOWER PACKAGE.
- 2 NOT USED WITH 64R EXTERIOR WASHER STATION.
- 1 SEE DRAWING INSTL-FRONT END FOR ADDITIONAL INFORMATION.

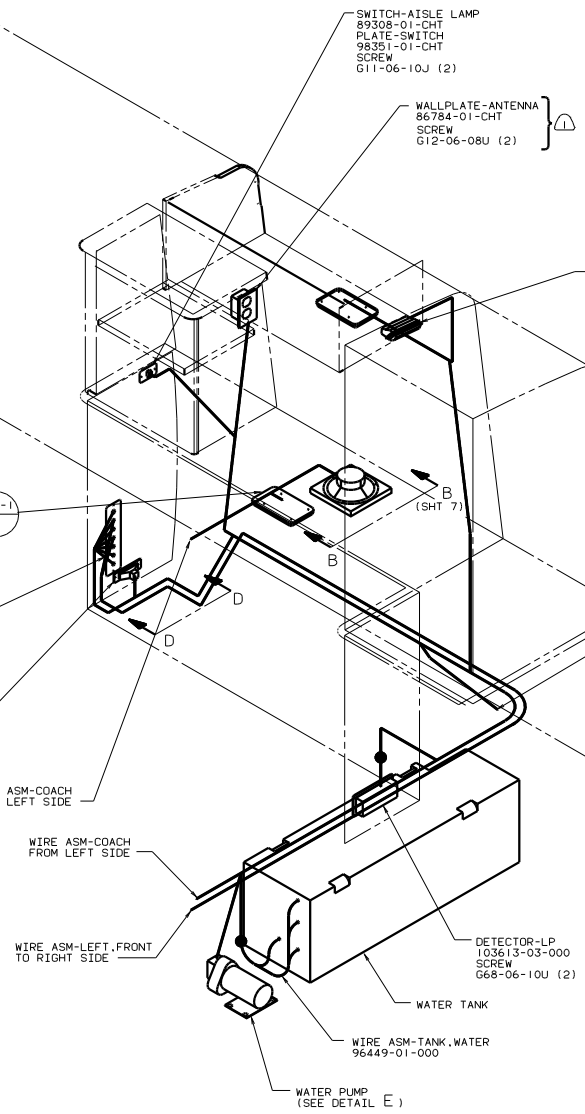
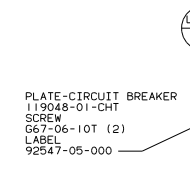
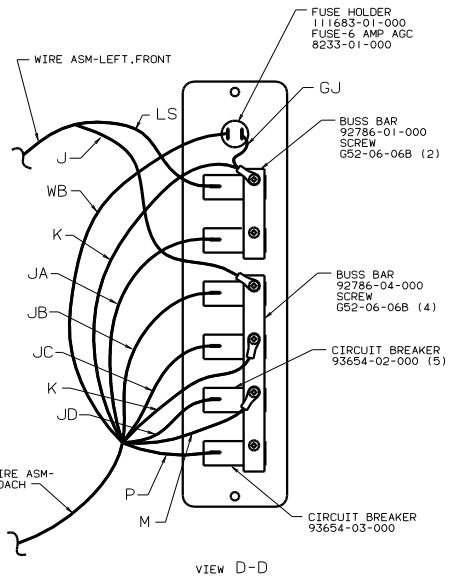
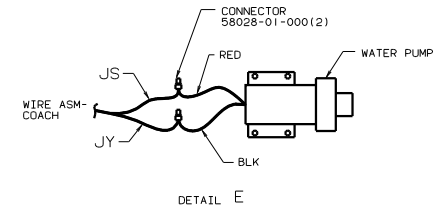
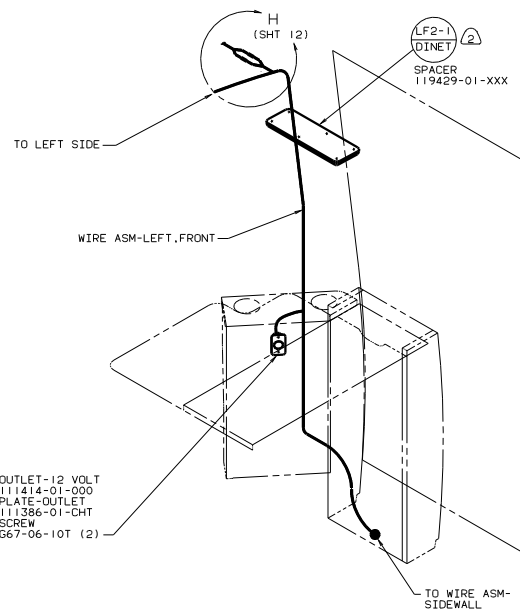
NOTES:

12V LEFT (US/CAN)  
98 222RC  
45G BED-TWINS  
1B1 CODE STANDARDS-USA  
265 CODE STANDARDS-CSA

FOR ELECTRICAL  
TORQUE  
SPECIFICATIONS  
SEE DWG NO.  
128783-01-000

FOR  
ELECTRICAL  
CALLOUTS  
SEE DWG NO.  
121339-01-000

TITLE: WIRING INSTL-BODY (12 L)  
SHEET 10 OF 14  
126257



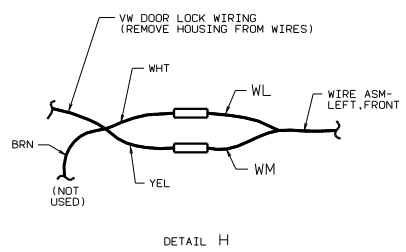
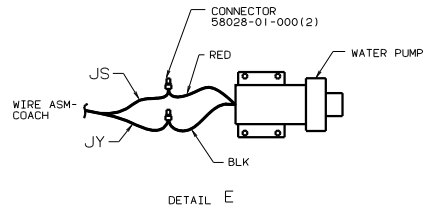
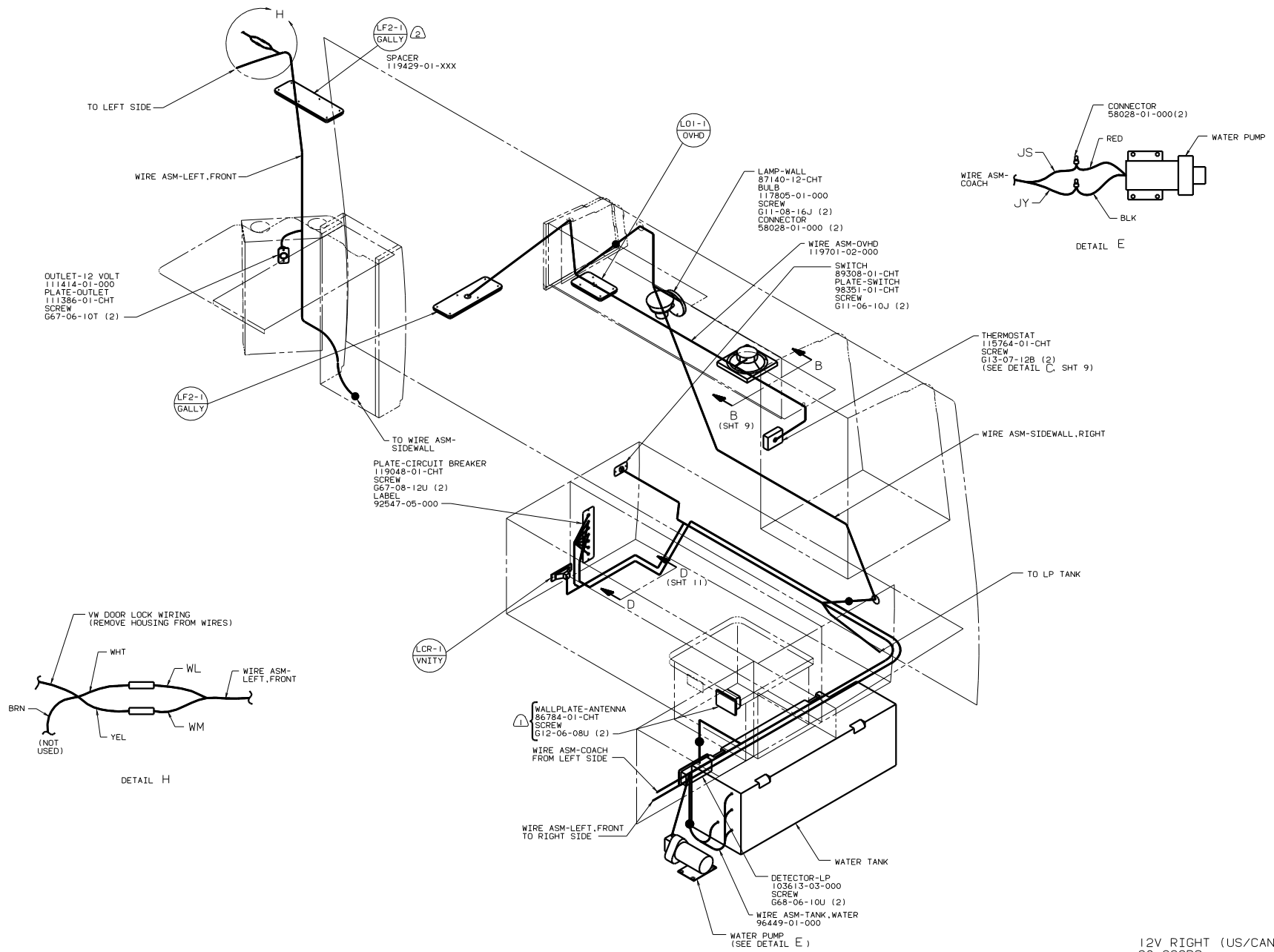
NOTES:  
 (2) PILOT HOLES MUST BE DRILLED FOR SCREW CLEARANCE.  
 (1) W/TV ANTENNA.

FOR ELECTRICAL SPECIFICATIONS SEE DWG NO. 128783-01-000

FOR ELECTRICAL CALLOUTS SEE DWG NO. 121339-01-000

12V RIGHT (US/CAN)  
 98 222RC  
 44V BED-DOUBLE, SIDEWALL  
 1B1 CODE STANDARDS-USA  
 265 CODE STANDARDS-CSA

TITLE: WIRING INSTL-BODY(12\_R)  
 SHEET 11 OF 14



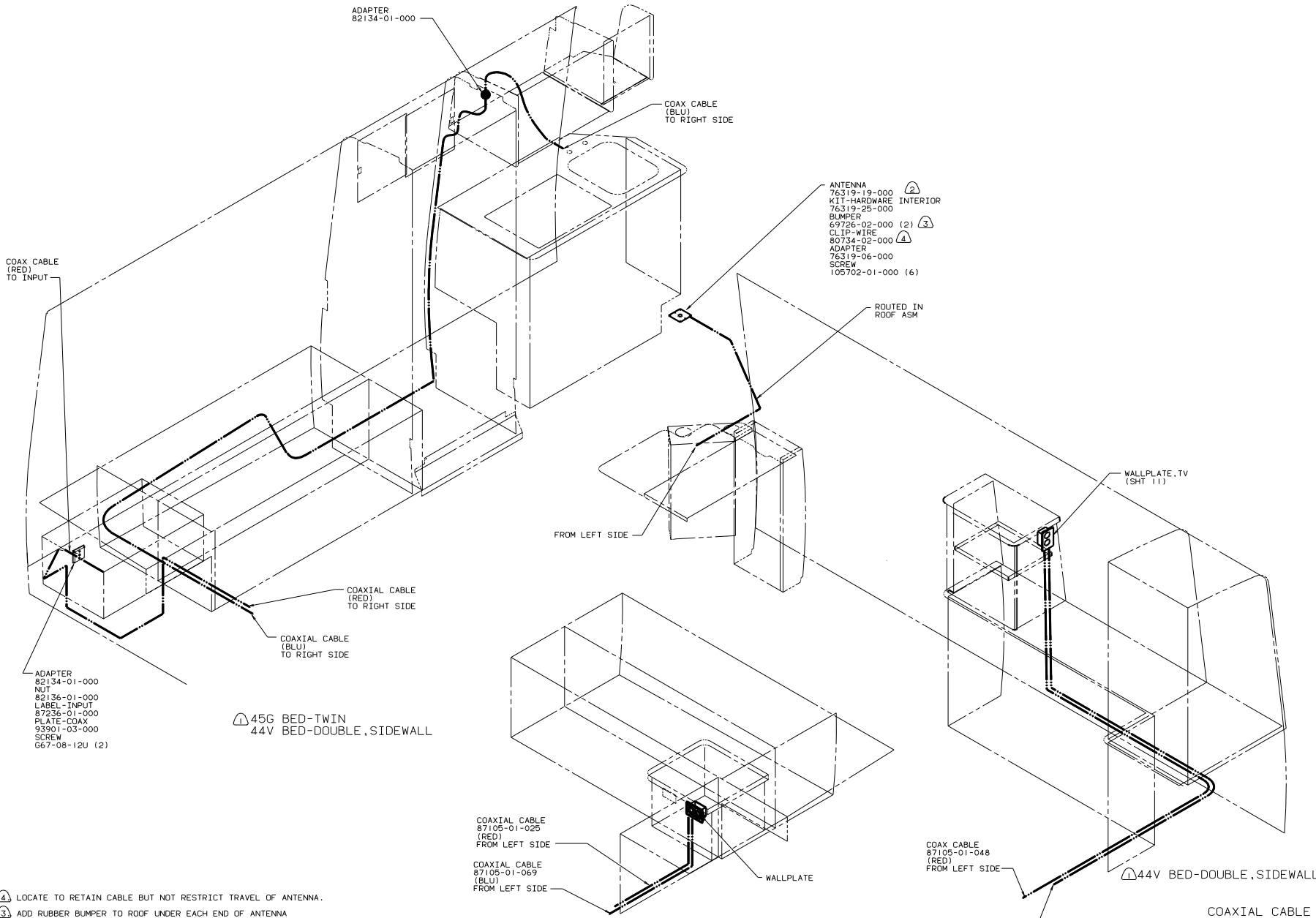
12V RIGHT (US/CAN)  
 98 222RC  
 45G BED-TWINS  
 1B1 CODE STANDARDS-USA  
 265 CODE STANDARDS-CSA

FOR ELECTRICAL  
 TORQUE  
 SPECIFICATIONS  
 SEE DWG NO.  
 128783-01-000

FOR  
 ELECTRICAL  
 CALLOUTS  
 SEE DWG NO.  
 121339-01-000

TITLE: WIRING INSTL-BODY(12\_R)  
 SHEET 12 OF 14  
 126969

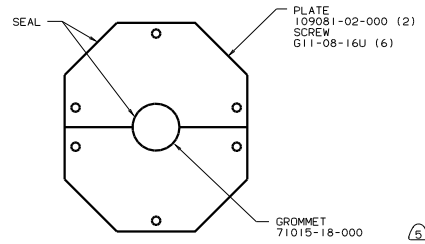
NOTES:  
 (2) PILOT HOLES MUST BE DRILLED FOR SCREW CLEARANCE.  
 (1) 193 TV ANTENNA.



- ④ LOCATE TO RETAIN CABLE BUT NOT RESTRICT TRAVEL OF ANTENNA.
- ③ ADD RUBBER BUMPER TO ROOF UNDER EACH END OF ANTENNA IN DOWN POSITION WHICH MAY IN CONTACT WITH ROOF.
- ② SEE DRAWING 76319-01-000 FOR ADDITIONAL INFORMATION.
- ① 193 TV ANTENNA.

FOR ELECTRICAL TORQUE SPECIFICATIONS SEE DWG NO 128783-01-000

TITLE: WIRING INSTL-BODY(COAX)	
NO. OF SHEETS DRAWING	TOTAL SHEETS
SHEET 13 OF 14	16
126969	



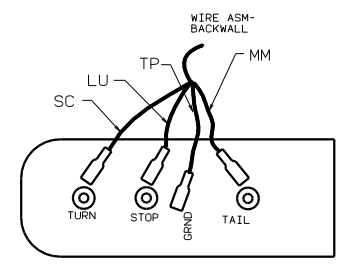
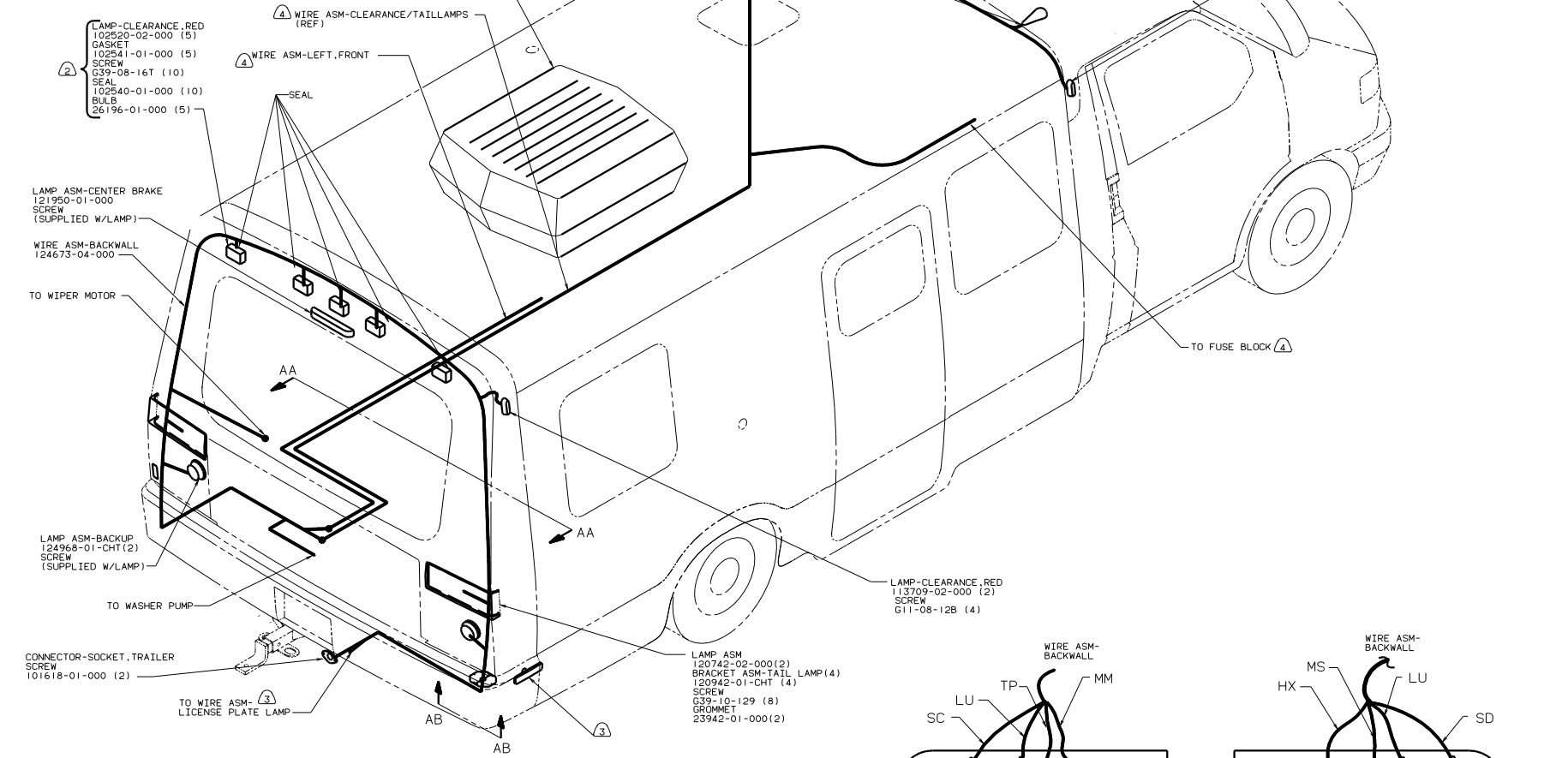
VIEW AB-AB

- LAMP-CLEARANCE, RED  
102520-02-000 (5)
- GASKET  
102541-01-000 (5)
- SCREW  
G39-08-16T (10)
- SEAL  
102540-01-000 (10)
- BULB  
26196-01-000 (5)

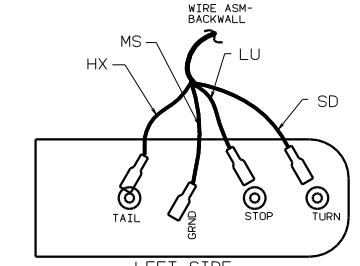
- AIR CONDITIONER  
93306-01-CHT  
CEILING ASM  
93307-03-000  
SPRING A/C  
102289-01-000 (4)

- LAMP-CLEARANCE, AMBER  
113709-01-000 (5)  
SCREW  
G11-08-12B (10)

- LAMP-CLEARANCE, AMBER  
113709-01-000 (2)  
SCREW  
G11-08-12B (4)



RIGHT SIDE



LEFT SIDE

DETAIL AA (STD)  
(FROM BACK SIDE  
OF TAIL LAMPS)

FOR ELECTRICAL  
TORQUE  
SPECIFICATIONS  
SEE DWG NO.  
128783-01-000

88 222RC/RT  
181 CODE STANDARDS-USA  
265 CODE STANDARDS-CSA

- CONNECT WIRE HX (PUR) TO RED WIRE AND WIRE MS (GRN) TO WHT WIRE.
- 29K A/C, ROOF-ONE 7,100.
- SEE WIRING INSTL-FRONT END FOR ADDITIONAL INFORMATION.
- SEE BUMPER ASM-REAR FOR ADDITIONAL INFORMATION.
- LOCATE ON CENTER OF HOLE IN CAP ASM-REAR.

1. CONNECTOR-PLUG, TRAILER 113589-01-000 TO BE SUPPLIED LOOSE IN COACH WITH TRAILER TOW PACKAGE.

NOTES: