



DANGER

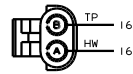
Danger of electrical shock, burns or death. Always remove all power sources before attempting any repair, service or diagnostic work. Power can be present from shore power, generator, inverter or battery. All power sources must be disabled and secured before performing any service.



CAUTION

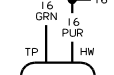
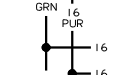
If you lack the skills, tools or equipment to perform diagnostic or repair work leave such work to an authorized Winnebago Industries dealer or other qualified shop.

CONNECTS TO WIRE ASM-BACKWALL (SHT 2,D-7) (SHT 3,D-7) (LOCATED NEAR TRAILER HOOKUP)



WIRING DIAGRAM-LICENSE PLATE LAMPS (WIRE ASM 124716) (STANDARD)

LEFT LICENSE PLATE LAMP

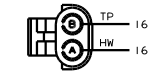


RIGHT LICENSE PLATE LAMP

LEFT SIDE MARKER LAMP

RIGHT SIDE MARKER LAMP

CONNECTS TO WIRE ASM-BACKWALL (SHT 2,D-7) (SHT 3,D-7) (LOCATED NEAR TRAILER HOOKUP)



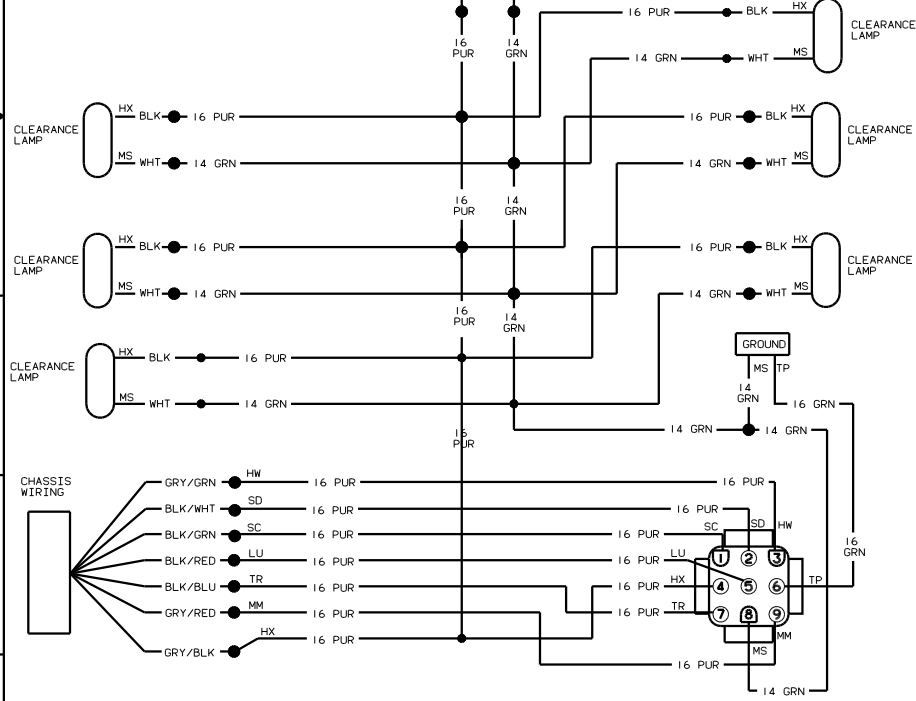
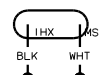
WIRING DIAGRAM-LICENSE PLATE LAMPS (WIRE ASM 113731) (EXPORT ONLY)

LEFT LICENSE PLATE LAMP



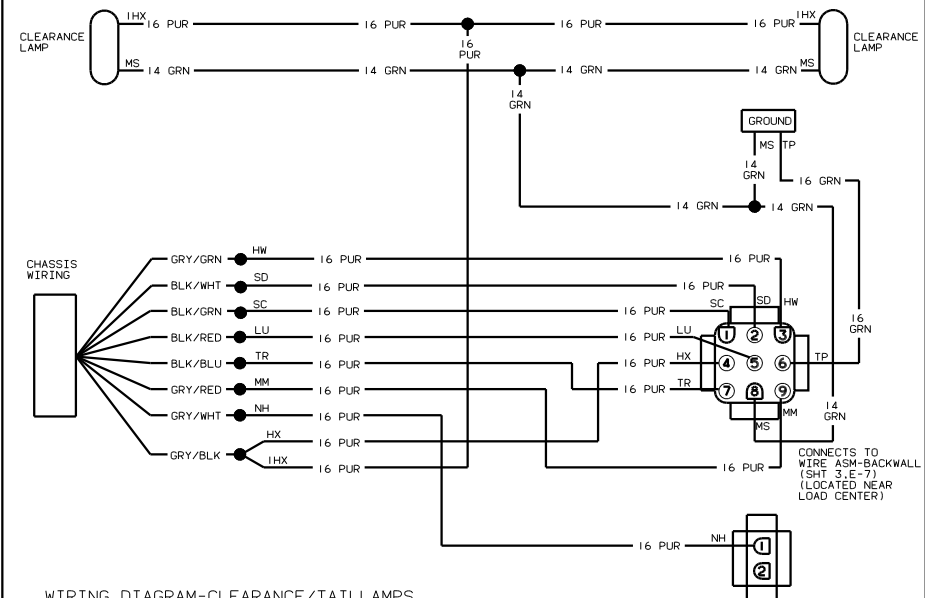
RIGHT LICENSE PLATE LAMP

CLEARANCE LAMP



WIRING DIAGRAM-CLEARANCE/TAILLAMPS (WIRE ASM-112678-08,-09,-10,-15,-16)

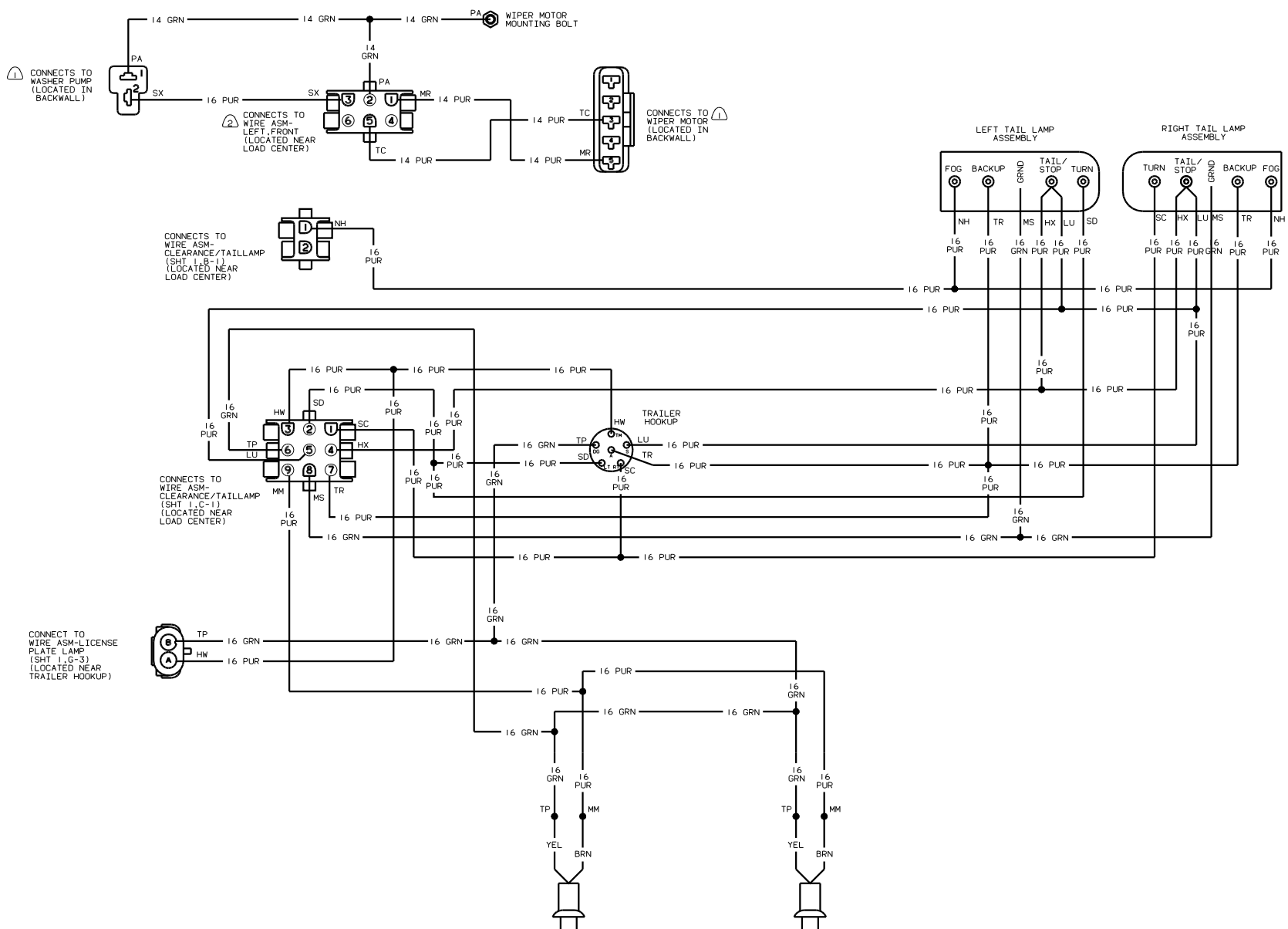
CONNECTS TO WIRE ASM-BACKWALL (SHT 2,E-7) (LOCATED NEAR LOAD CENTER)



WIRING DIAGRAM-CLEARANCE/TAILLAMPS (WIE EXPORT) (WIRE ASM-112678-11,-12,-13)

CONNECTS TO WIRE ASM-BACKWALL (SHT 3,G-7) (LOCATED NEAR LOAD CENTER)

WINNEBAGO		97 222RD/RC
OF IN	DATE	UNSPECIFIED TOLERANCES ARE IN MILLIMETERS
CHP	DATE	WHOLE OR 1/16"
PIE	DATE	ONE-PLACE (1/32")
D/E	DATE	TWO-PLACE (1/64")
CON	DATE	THREE-PLACE (1/128")
DRW	DATE	PRODUCTION
LAUNCH	DATE	TITLE
REV #	SCALE	NOTE
ALL DIMENSIONS ARE IN MILLIMETERS	SHEET 1	OF 3



CONNECTS TO WASHER PUMP (LOCATED IN BACKWALL)

CONNECTS TO WIRE ASM-LEFT FRONT (LOCATED NEAR LOAD CENTER)

CONNECTS TO WIPER MOTOR (LOCATED IN BACKWALL)

CONNECTS TO WIRE ASM-CLEARANCE/TAILLAMP (SHT 1.B-1) (LOCATED NEAR LOAD CENTER)

CONNECTS TO WIRE ASM-CLEARANCE/TAILLAMP (SHT 1.C-1) (LOCATED NEAR LOAD CENTER)

CONNECT TO WIRE ASM-LICENSE PLATE LAMP (SHT 1.G-3) (LOCATED NEAR TRAILER HOOKUP)

WIRE DIAGRAM-BACKWALL (WIE EXPORT) (WIRE ASM 124673-02)

NOTES:
 (2) SEE WIRING DIAGRAM-BODY FOR ADDITIONAL INFORMATION.
 (1) SEE MANUFACTURER'S DIAGRAM FOR ADDITIONAL INFORMATION.