



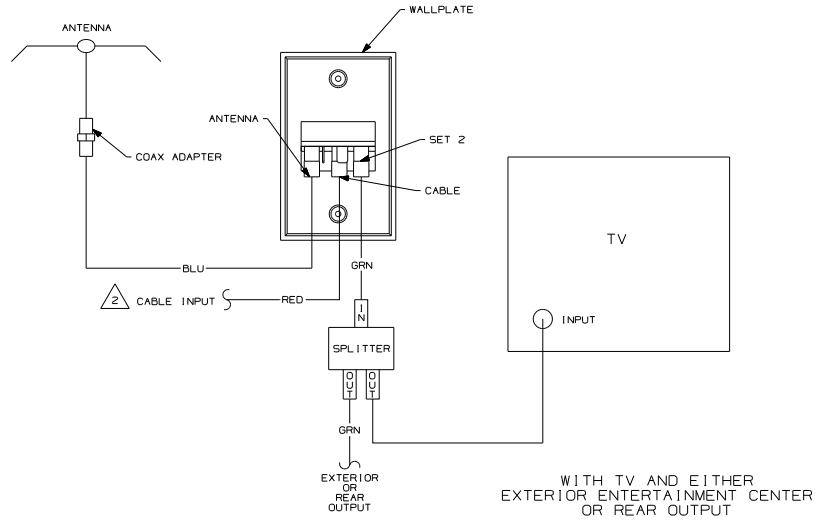
DANGER

Danger of electrical shock, burns or death. Always remove all power sources before attempting any repair, service or diagnostic work. Power can be present from shore power, generator, inverter or battery. All power sources must be disabled and secured before performing any service.

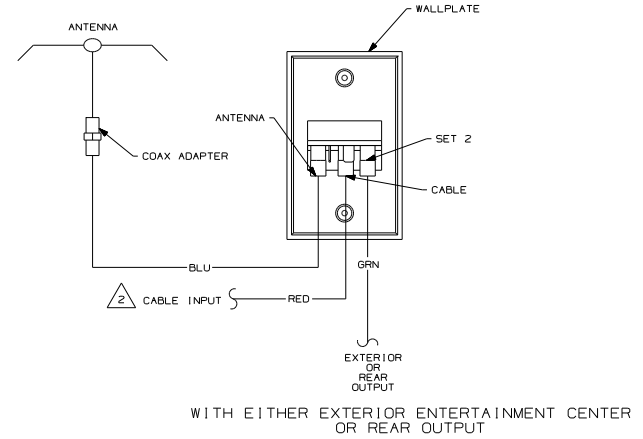


CAUTION

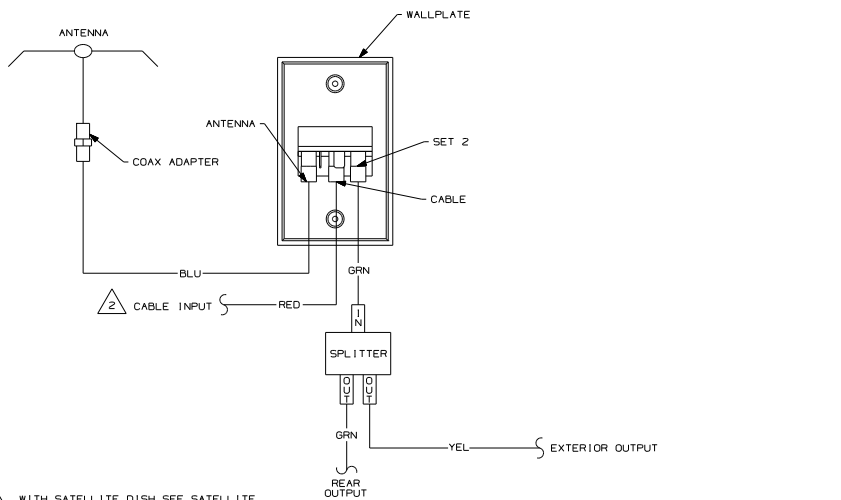
If you lack the skills, tools or equipment to perform diagnostic or repair work leave such work to an authorized Winnebago Industries dealer or other qualified shop.



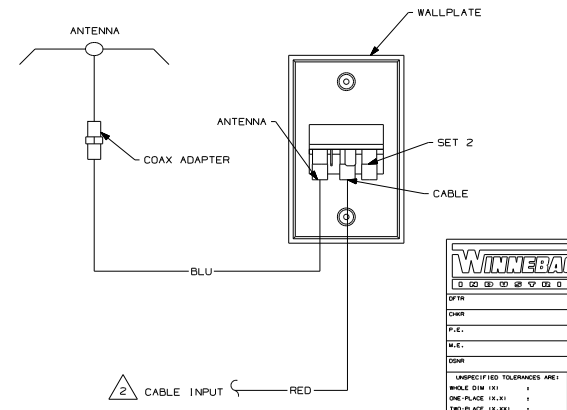
WITH TV AND EITHER EXTERIOR ENTERTAINMENT CENTER OR REAR OUTPUT



WITH EITHER EXTERIOR ENTERTAINMENT CENTER OR REAR OUTPUT



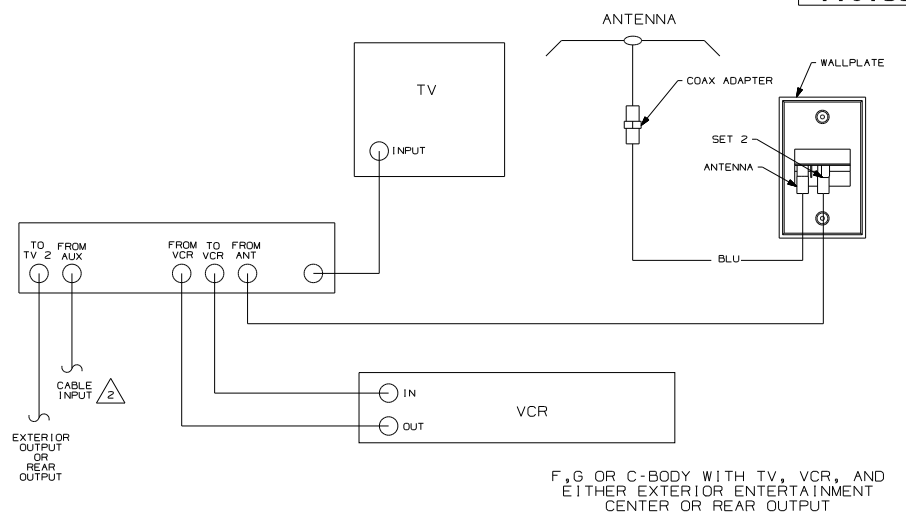
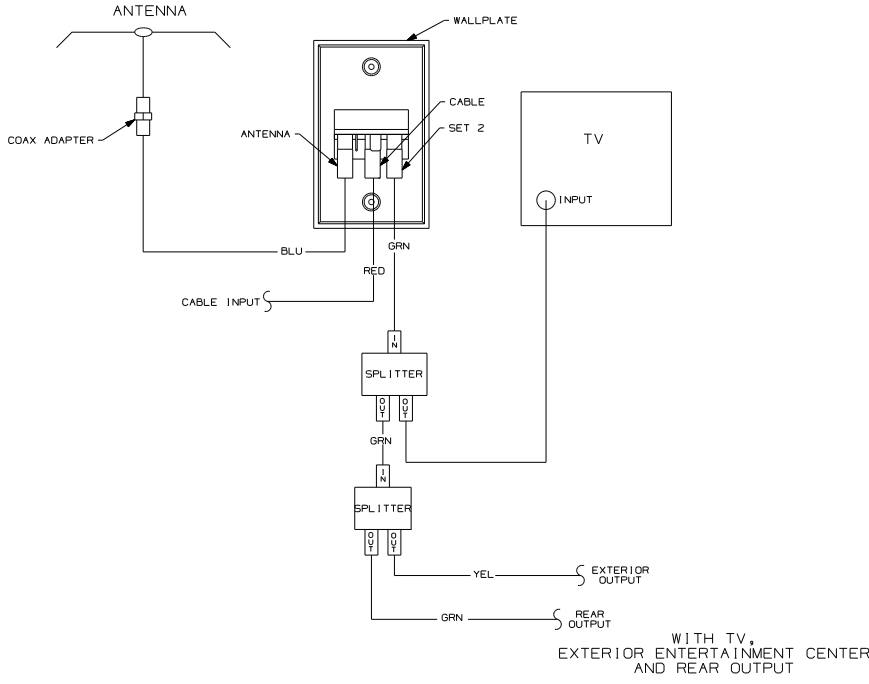
WITH EXTERIOR ENTERTAINMENT CENTER AND REAR OUTPUT



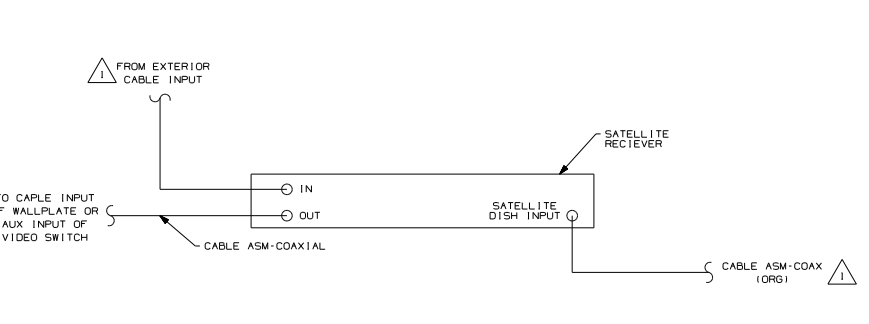
WITHOUT EITHER EXTERIOR ENTERTAINMENT CENTER OR REAR OUTPUT

2 WITH SATELLITE DISH SEE SATELLITE DISH VIEW SHT 2 BOTTOM LEFT.
 1 COLOR INDICATES IDENTIFICATION TAPE.
 NOTES:

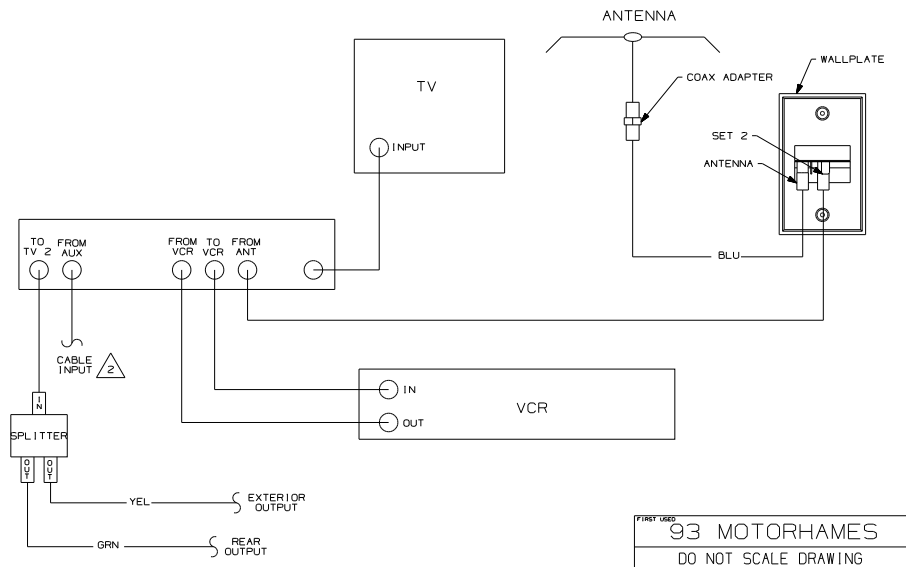
WINNEBAGO		COPYRIGHT 2002 WINNEBAGO INDUSTRIES, INC.	
DTM	ORIG. DATE		
CHR	ALL DIMENSIONS ARE IN MILLIMETERS		
F.E.	FIRST USED		
CDR	93 MOTORHOMES		
UNSPECIFIED TOLERANCES ARE:		MATERIAL	
HOSE DIA (X)	+		
ONE-PLACE (X,XX)	+		
TWO-PLACE (X,XX)	+		
ANGLE	+		
THIRD ANGLE PROJECTION			
DO NOT SCALE DRAWING			
TITLE: WIRING DIAGRAM-TV COAX			
SHEET 1 OF 2	PART NO	110138	
REF:	1		



F, G OR C-BODY WITH TV, VCR, AND EITHER EXTERIOR ENTERTAINMENT CENTER OR REAR OUTPUT



- NOTES:
- 2 WITH SATELLITE DISH SEE SATELLITE DISH VIEW BOTTOM LEFT.
 - 1 CONNECT TV COAX TO JACK ON FRONT OF WALLPLATE.



N, M OR P-SERIES WITH TV AND VCR OR F, G OR C-BODY WITH TV, VCR, EXTERIOR ENTERTAINMENT CENTER AND REAR OUTPUT

FIRST USES	
93 MOTORHAMES	
DO NOT SCALE DRAWING	
TITLE: WIRING DIAGRAM-TV COAX	
SHEET 2	PART NO 110138