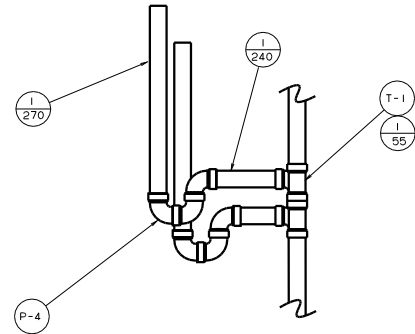
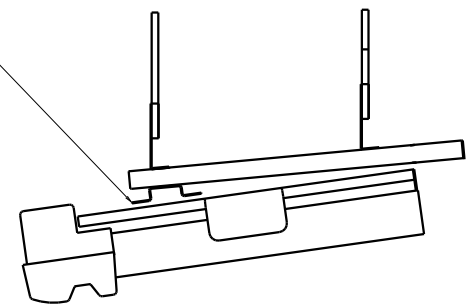


USE WITH WASHER/DRYER OR DISHWASHER



USE WITH WASHER/DRYER & DISHWASHER

FASTEN TELESCOPING DRAIN WITH CLAMP AND SUPPLIED HARDWARE TO SUPPORT ASM UNDER SEWER COMPT



VIEW A-A

WASHER/DRYER  
98 Q37W0

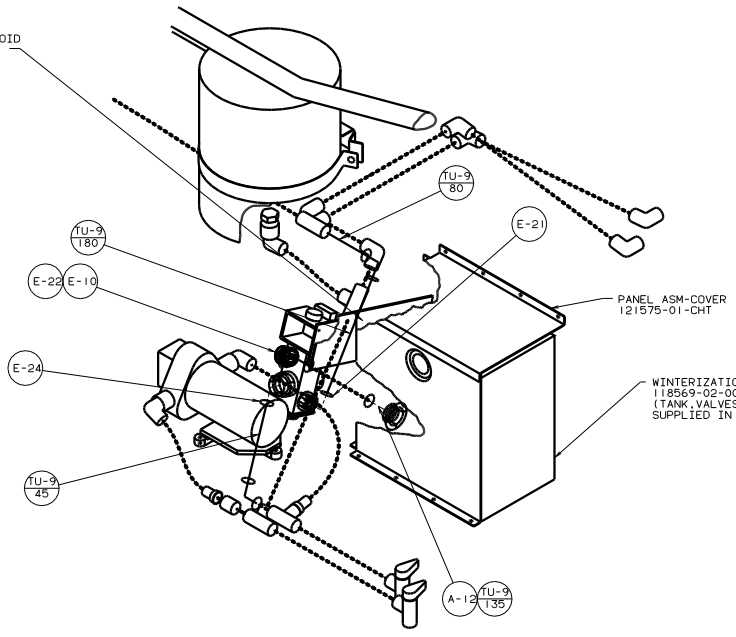
TITLE: DRAINAGE SYSTEM INSTL	
DATE: 05/01/05	REV: 1.0
SHEET: 2 of 2	DWG NO: 127176







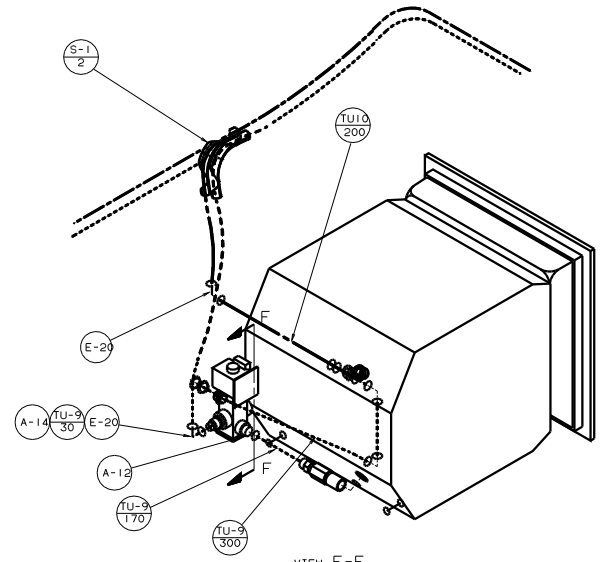
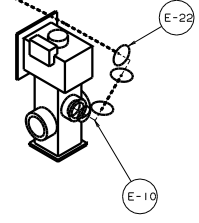
BRACKET-SOLENOID  
123727-01-CHT



VIEW A-A  
530 WINTERIZING KIT

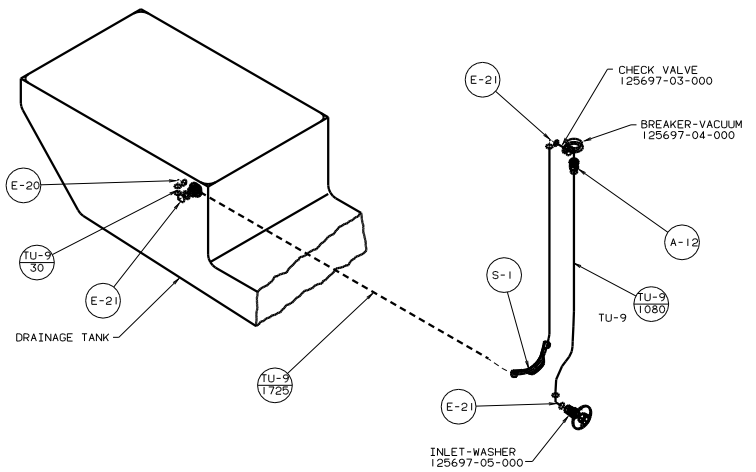
WINTERIZATION SYSTEM  
118569-02-000  
(TANK VALVES, SOLENOID AND SWITCH  
SUPPLIED IN KIT)

VIEW F-F  
530 WINTERIZING KIT

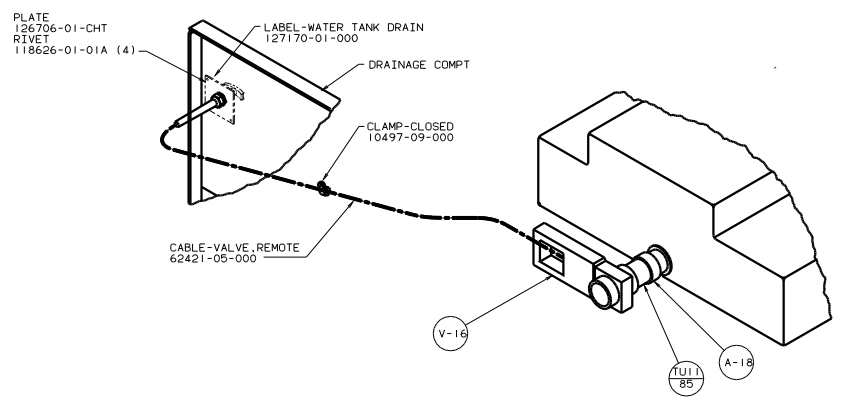


VIEW E-E  
530 WINTERIZING KIT

TITLE		WATER SYSTEM INSTL	
30	NO. OF SHEETS	1	NO.
SHEET		4	OF 5
REV		1	NO.
		126474	



DETAIL G



VIEW H-H

98 Q37WQ	
TITLE: WATER SYSTEM INSTL	
DATE: 5/05	REV: 1
SHEET: 5 OF 5	DWG NO: 126474