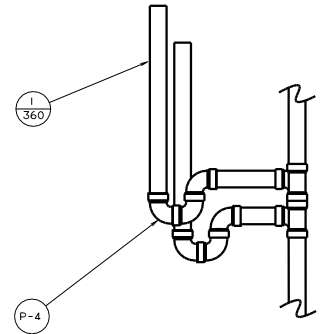
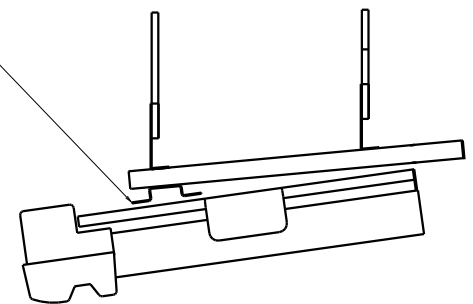


USE WITH WASHER/DRYER OR DISHWASHER



USE WITH WASHER/DRYER & DISHWASHER

FASTEN TELESCOPING DRAIN WITH CLAMP AND SUPPLIED HARDWARE TO SUPPORT ASM UNDER SEWER COMPT



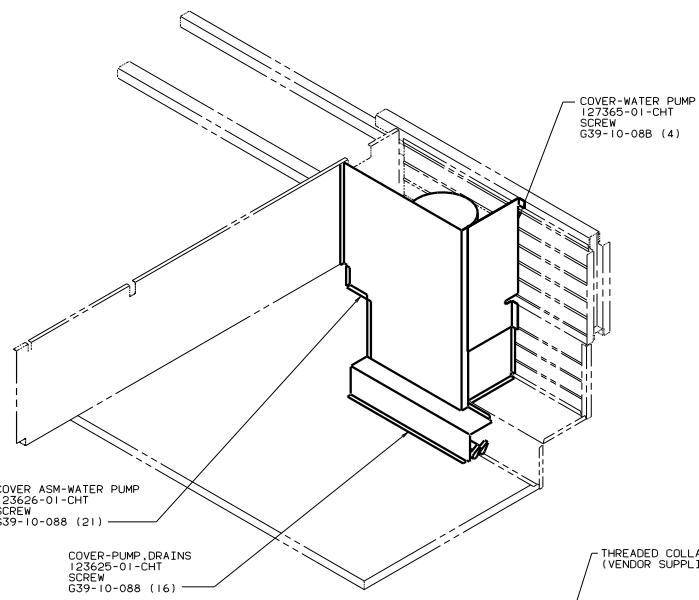
VIEW A-A

WASHER/DRYER  
98 Q37WP

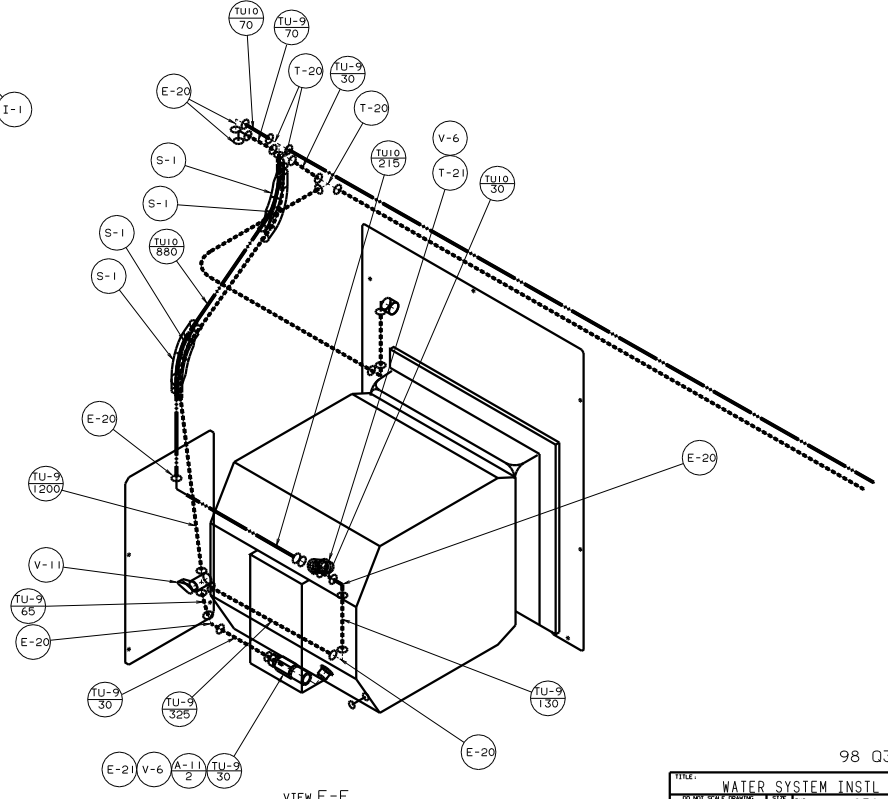
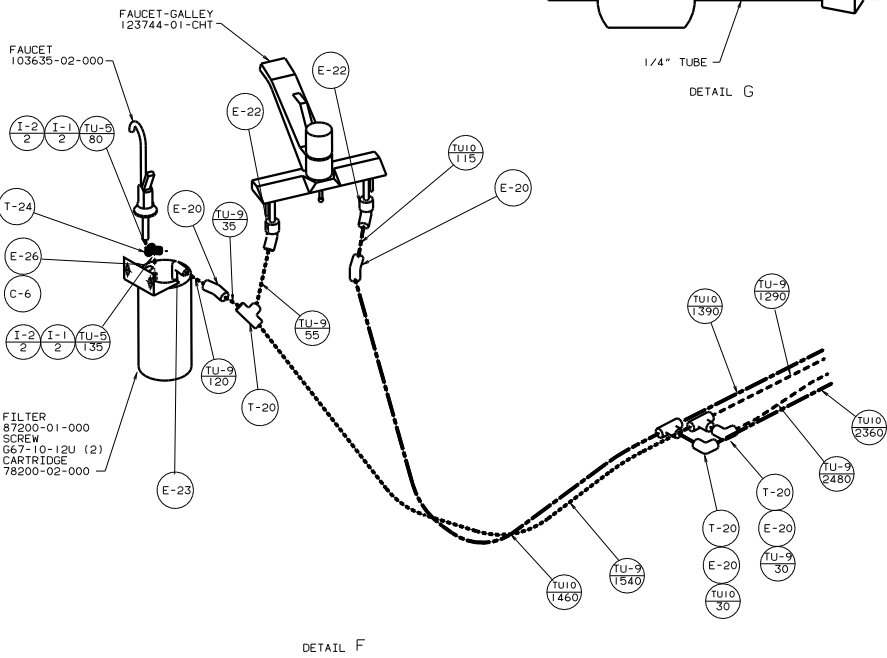
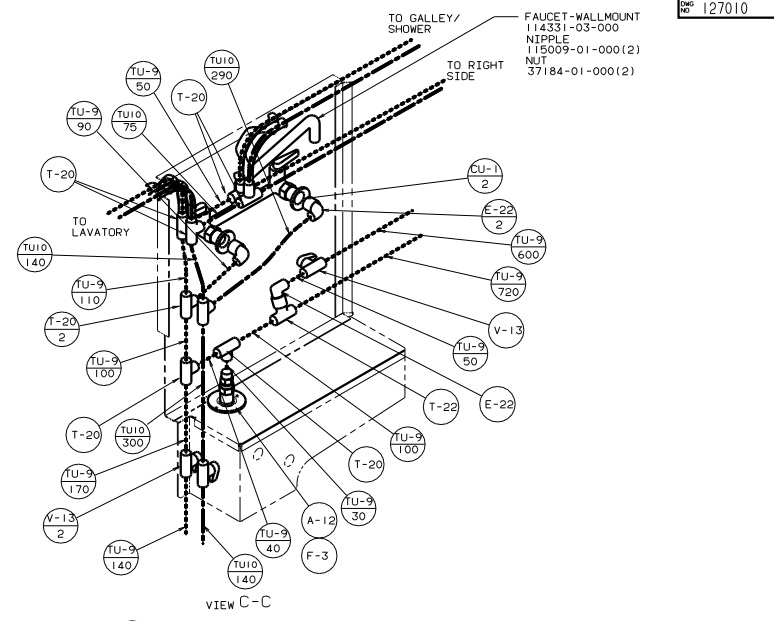
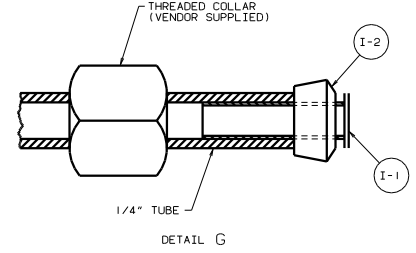
TITLE: DRAINAGE SYSTEM INSTL	
DO NOT SCALE DRAWING	FIG. NO. 127177
SHEET 2 OF 2	1/E







VIEW D-D



BRACKET SOLENOID  
123727-01-CHT

TU-9  
180

E-22 E-10

E-24

TU-9  
45

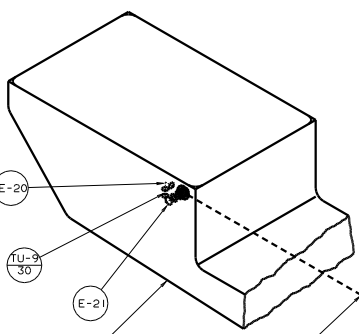
TU-9  
80

E-21

PANEL ASM-COVER  
121575-01-CHT

WINTERIZATION SYSTEM  
118569-02-000  
(TANK, VALVES, SOLENOID AND SWITCH  
SUPPLIED IN KIT)

VIEW A-A  
530 WINTERIZING KIT



DRAINAGE TANK

TU-9  
30

E-21

TU-9  
1465

E-21

TU-9  
830

E-20

E-21

CHECK VALVE  
125697-03-000

BREAKER-VACUUM  
125697-04-000

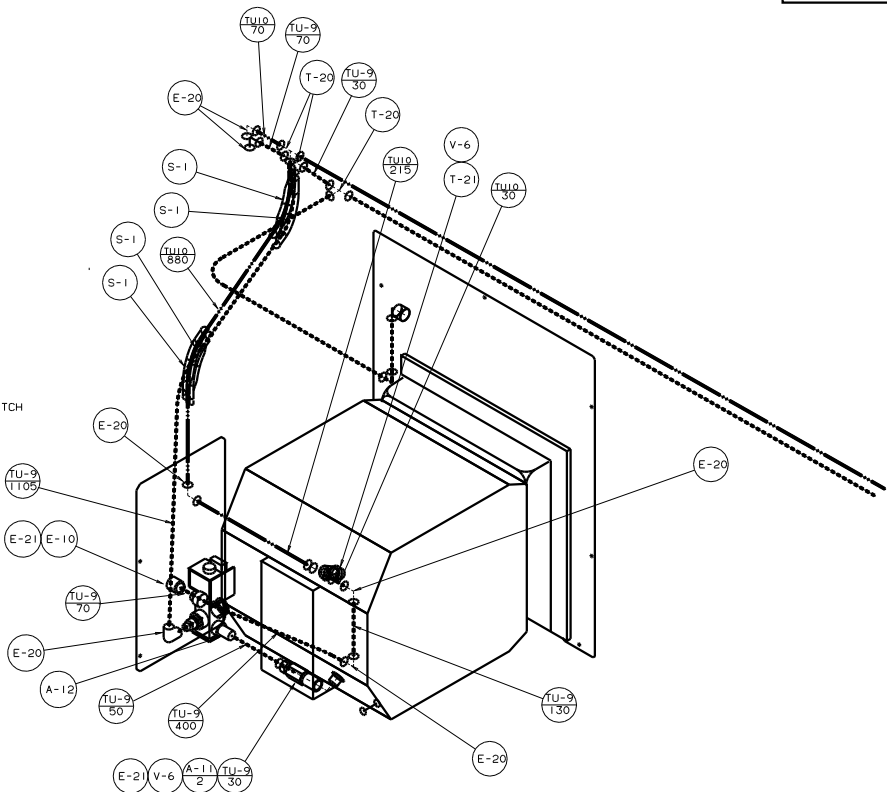
A-12

TU-9  
1400

S-1

INLET-WASHER  
125697-05-000

DETAIL J



VIEW E-E  
530 WINTERIZING KIT

PLATE  
126706-01-CHT  
RIVET  
118626-01-01A(4)

LABEL-WATER TANK DRAIN  
127170-01-000

DRAINAGE COMPT

CLAMP-CLOSED  
10497-09-000

CABLE-VALVE, REMOTE  
62421-05-000

V-16

TU-1  
85

A-18

VIEW H-H

98 Q37WP

TITLE		WATER SYSTEM INSTL	
30	NO SCALE	1	1
SHEET 4 OF 4		127010	