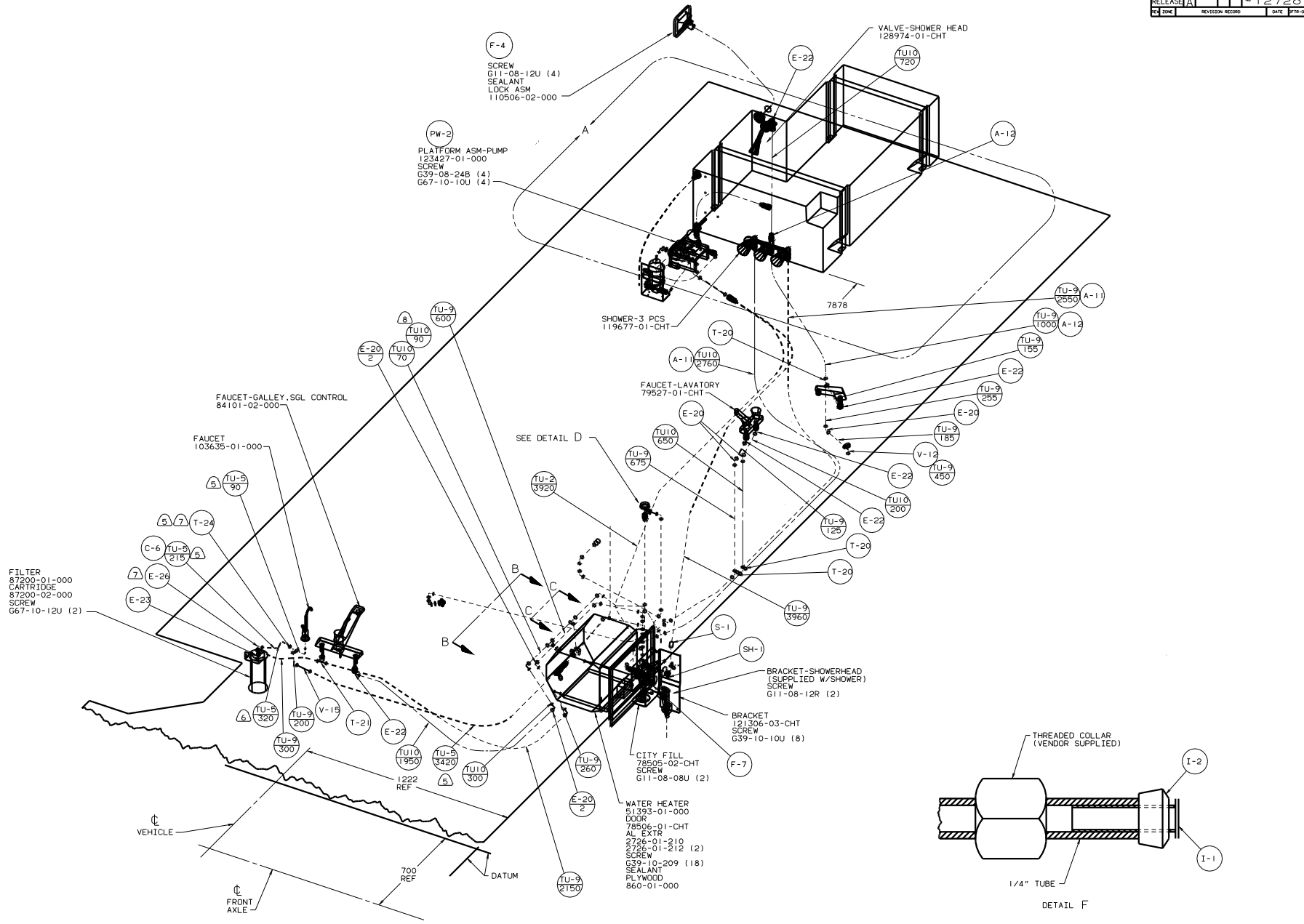


98 M36WQ

TITLE: DRAINAGE SYSTEM INSTL	
DATE: 11/01/05	REV: 1
SHEET: 2 of 2	DWG NO: 127288



4. CLAMPS MUST BE ON BARBS.
3. ALL TUBING TO BE SECURED AT 1200 INTERVALS MAXIMUM WITH CLAMP 10495-01-000 OR CLIP 91951-01-000 AND SCREW G67-10-12B.
2. TUBING TO BE INSTALLED WITH SUFFICIENT SLOPE TO PROVIDE DRAINAGE TO NEAREST VALVE.
1. PLASTIC FITTINGS TO BE SEALED WITH SEALANT 84456-01-000.

5. 530 WINTERIZING KIT.
7. USE DETAIL "F" IN THIS AREA.
6. USE WITH REFRIGERATOR WITHOUT ICEMAKER.
8. 15U REFRIG-WITH ICEMAKER.

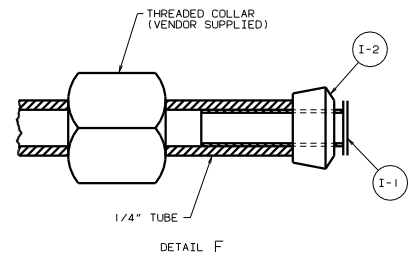
FOR WATER CALLOUTS SEE DWG NO. 116230-01-000

X-X

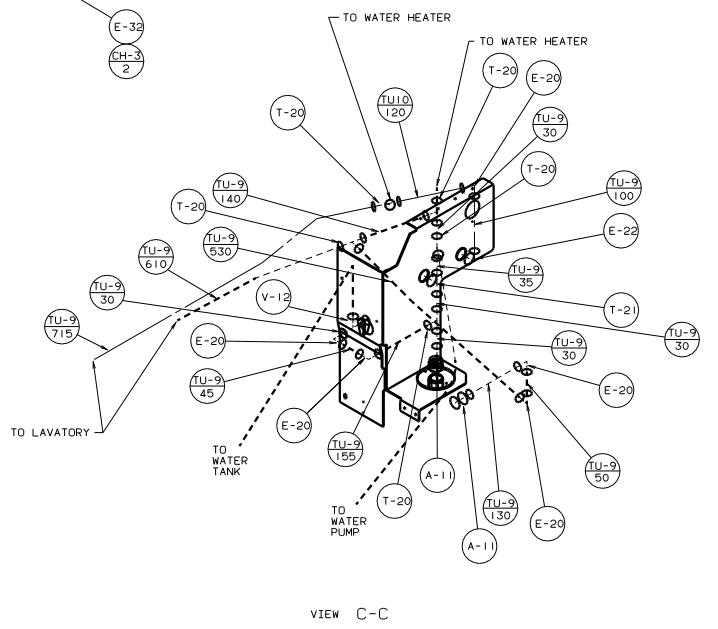
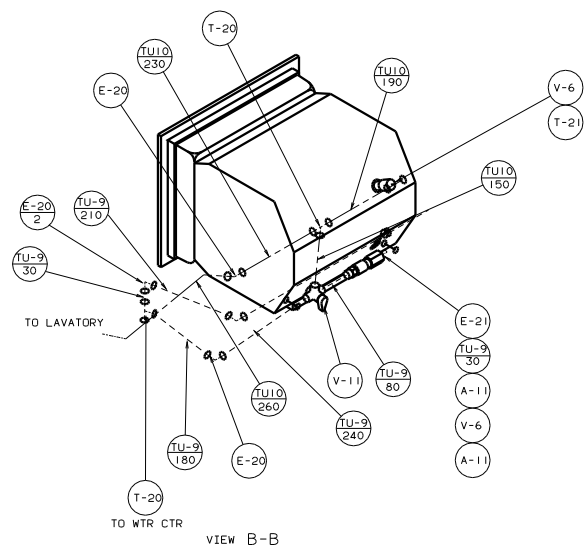
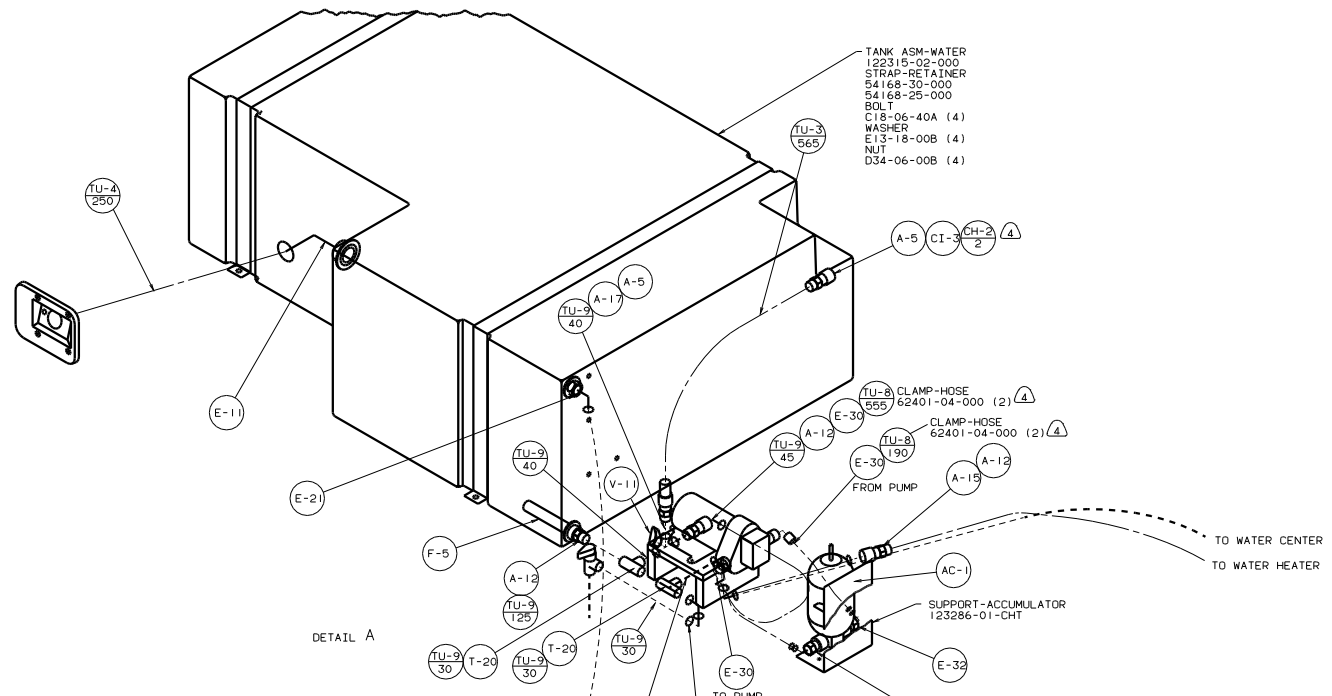
LEGEND

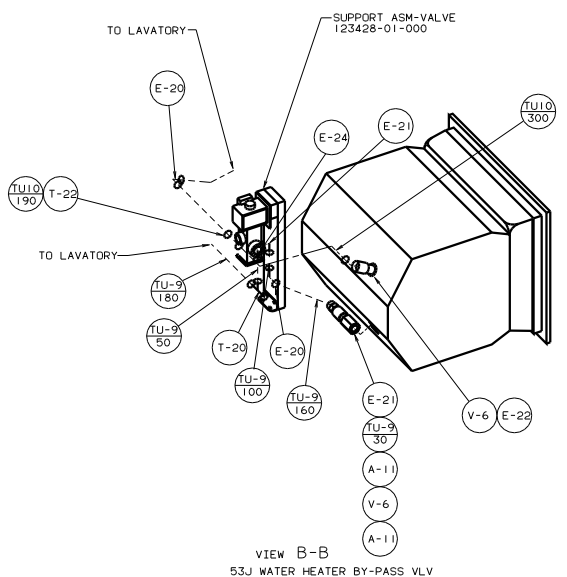
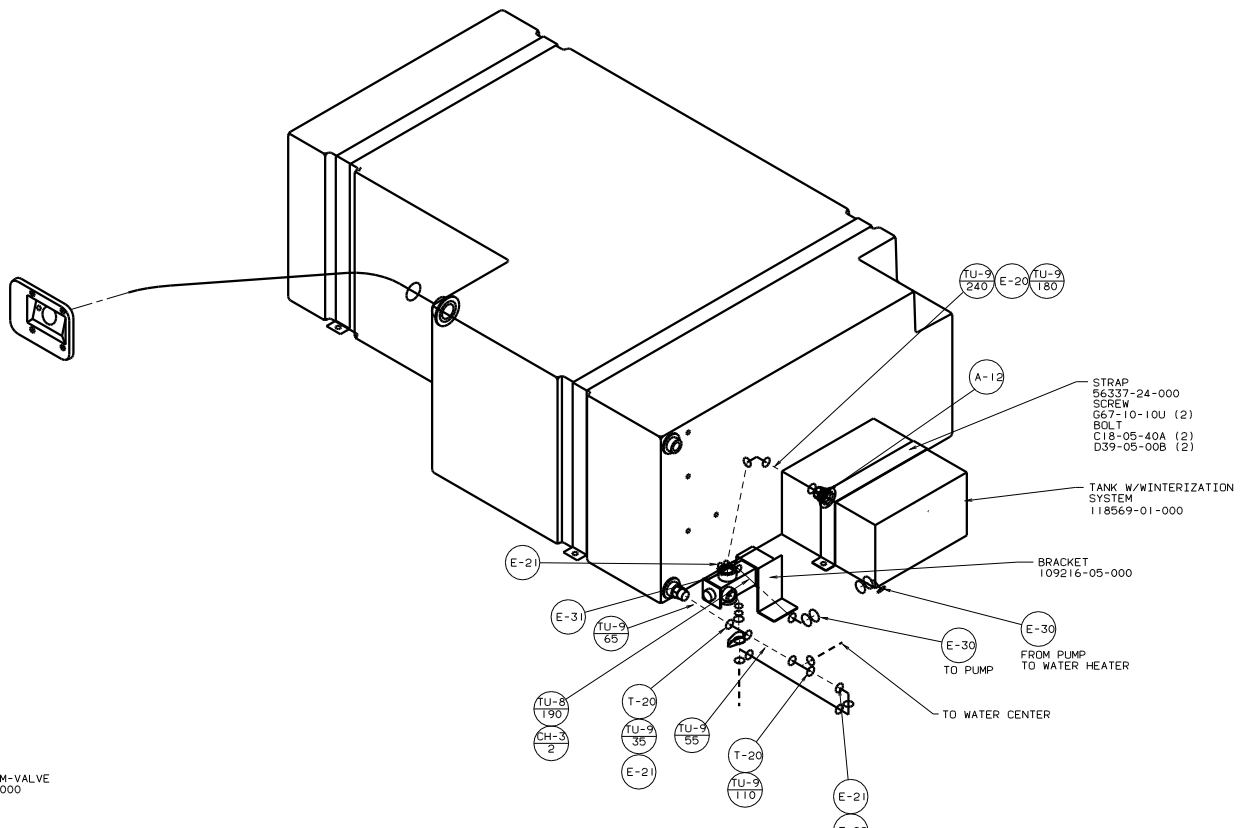
HOT

COLD



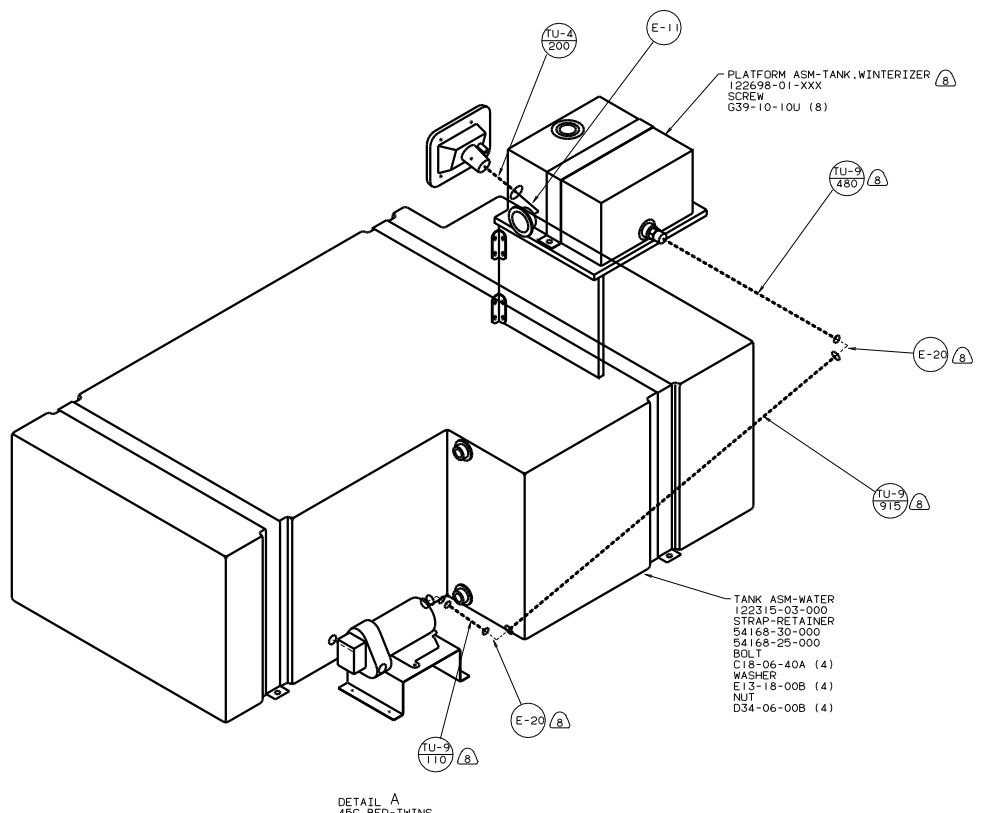
WINNEBAGO		98 M36W0
OPN	DATE	UNSPECIFIED TOLERANCES ARE:
CHP	DATE	WHOLE DIM (IN) ± .1
DFE	DATE	ONE-PLACE (IN) ± .01
DFE	DATE	TWO-PLACE (IN) ± .001
DFE	DATE	MILL
COMP	DATE	THIRD-PLACE (IN) ± .0001
DRN	DATE	FOURTH-PLACE (IN) ± .00001
DRN	DATE	FIFTH-PLACE (IN) ± .000001
DRN	DATE	SIXTH-PLACE (IN) ± .0000001
DRN	DATE	SEVENTH-PLACE (IN) ± .00000001
DRN	DATE	EIGHTH-PLACE (IN) ± .000000001
DRN	DATE	NINTH-PLACE (IN) ± .0000000001
DRN	DATE	TENTH-PLACE (IN) ± .00000000001
DRN	DATE	ELEVENTH-PLACE (IN) ± .000000000001
DRN	DATE	TWELFTH-PLACE (IN) ± .0000000000001
DRN	DATE	THIRTEENTH-PLACE (IN) ± .00000000000001
DRN	DATE	FOURTEENTH-PLACE (IN) ± .000000000000001
DRN	DATE	FIFTEENTH-PLACE (IN) ± .0000000000000001
DRN	DATE	SIXTEENTH-PLACE (IN) ± .00000000000000001
DRN	DATE	SEVENTEENTH-PLACE (IN) ± .000000000000000001
DRN	DATE	EIGHTEENTH-PLACE (IN) ± .0000000000000000001
DRN	DATE	NINETEENTH-PLACE (IN) ± .00000000000000000001
DRN	DATE	TWENTIETH-PLACE (IN) ± .000000000000000000001
DRN	DATE	ALL DIMENSIONS ARE IN MILLIMETERS
SHEET	1 OF 4	127287



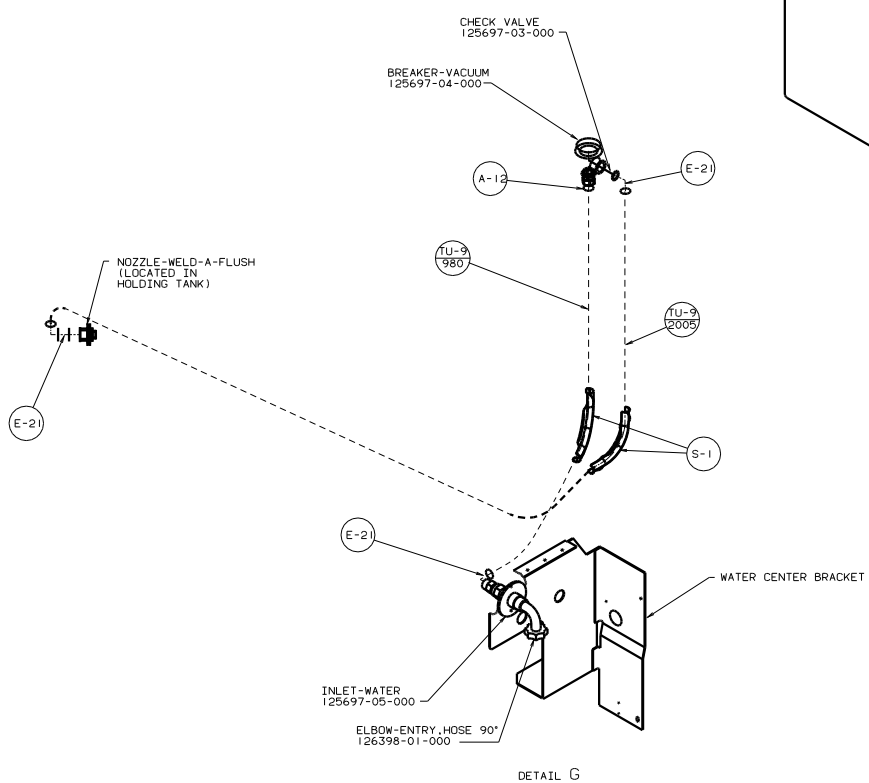


DETAIL A
530 WINTERIZING KIT

TITLE		98 M36WQ	
WATER SYSTEM INSTL			
NO. OF SHEETS	TITLE	DATE	REV.
3 OF 4			1
		127287	



DETAIL A
45G BED-TWINS



DETAIL G