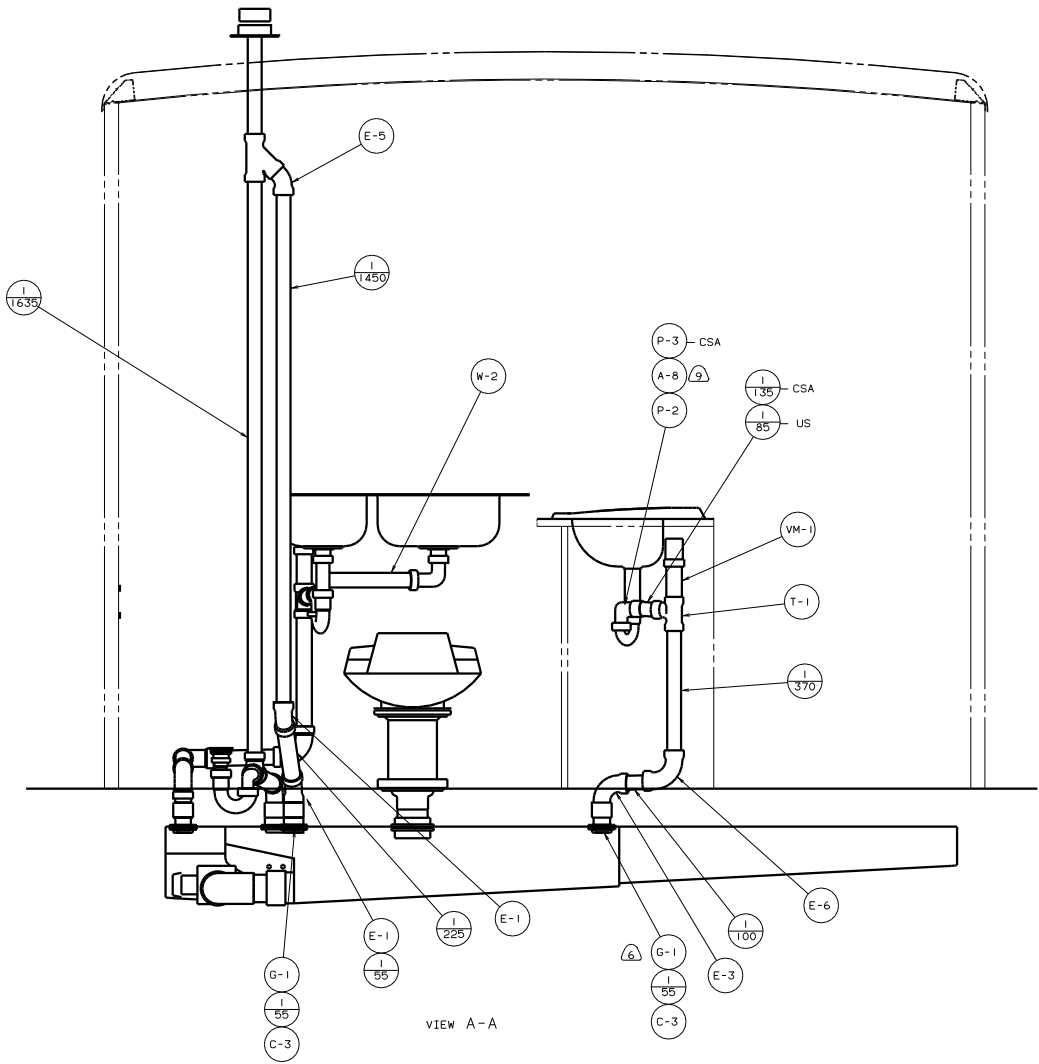
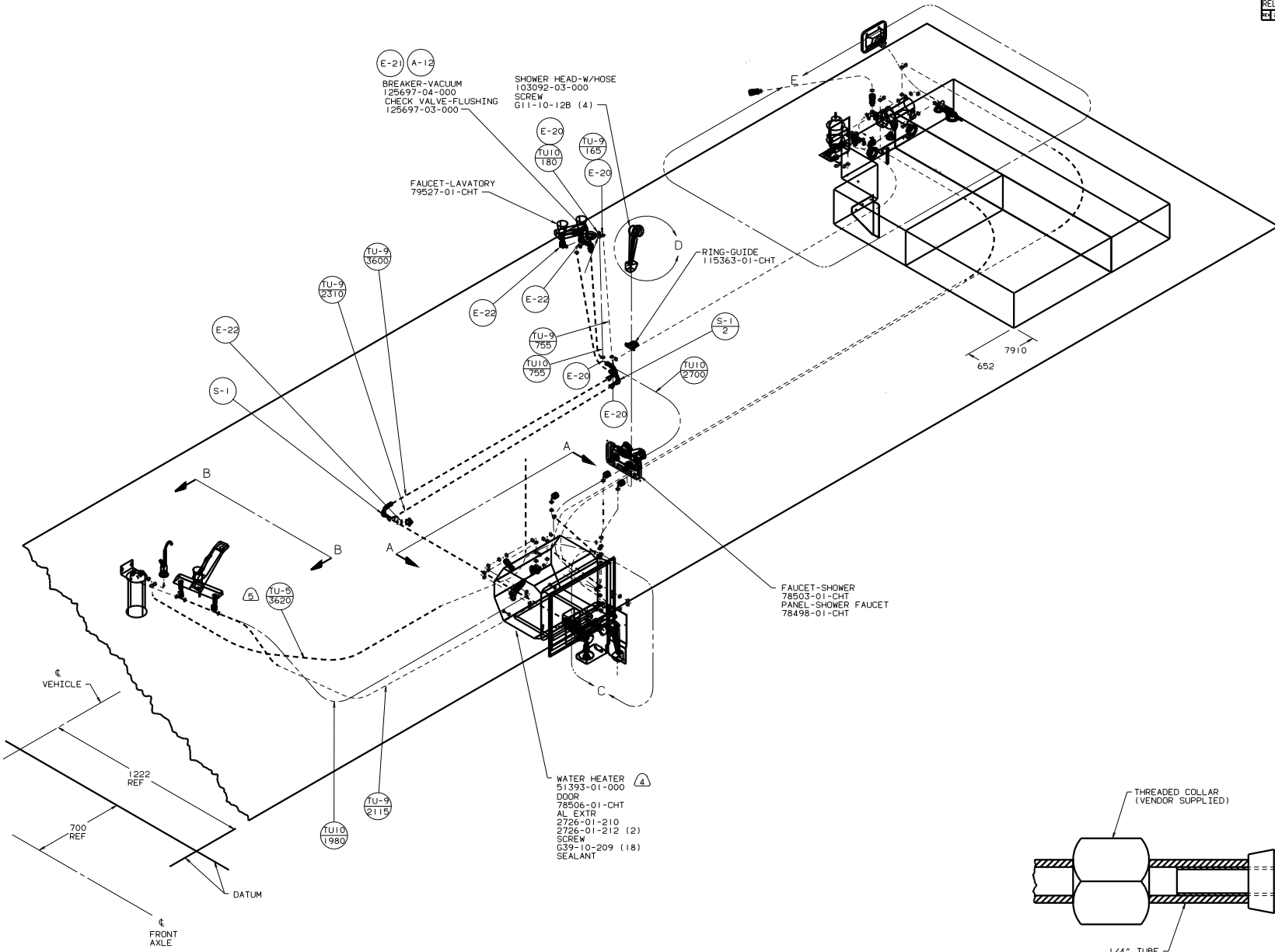


DATE	DATE	DATE	DATE	DATE
BY	BY	BY	BY	BY
CHKD	CHKD	CHKD	CHKD	CHKD
APP'D	APP'D	APP'D	APP'D	APP'D
DATE	DATE	DATE	DATE	DATE
SIGNATURE			SIGNATURE	
TITLE			TITLE	
DATE			DATE	
SCALE			SCALE	
SHEET NO.			SHEET NO.	
DRAWING NO.			DRAWING NO.	
PROJECT NO.			PROJECT NO.	
REV.			REV.	
MATERIAL			MATERIAL	

FOR DRAINAGE CALLOUTS SEE DWG NO. 116229-01-000



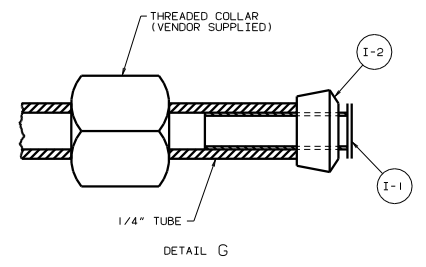
VIEW A-A



- NOTES:
1. PLASTIC FITTINGS TO BE SEALED WITH SEALANT 84456-01-000.
 2. TUBING TO BE INSTALLED WITH SUFFICIENT SLOPE TO PROVIDE DRAINAGE TO NEAREST VALVE.
 3. ALL TUBING TO BE SECURED AT 1200 INTERVALS MAXIMUM WITH CLAMP 10495-01-000 OR CLIP 91951-01-000 AND SCREW G67-10-12B.
 4. CLAMPS MUST BE ON BARBS.
 5. USE WITH REFRIGERATOR WITH ICEMAKER.
 6. USE WITH REFRIGERATOR WITHOUT ICEMAKER.
 7. USE DETAIL "G" IN THIS AREA.

WATER HEATER
 51393-01-000 (4)
 DOOR
 78506-01-CHT
 AL EXTR
 2726-01-210
 2726-01-212 (2)
 SCREW
 G39-10-209 (18)
 SEALANT

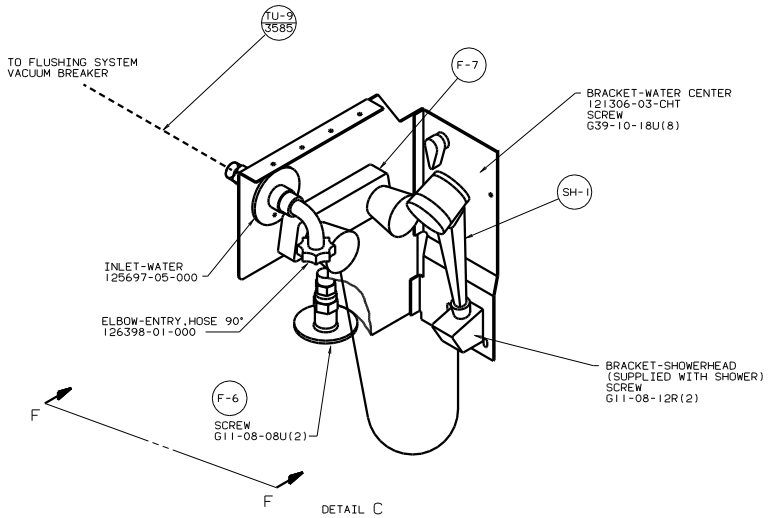
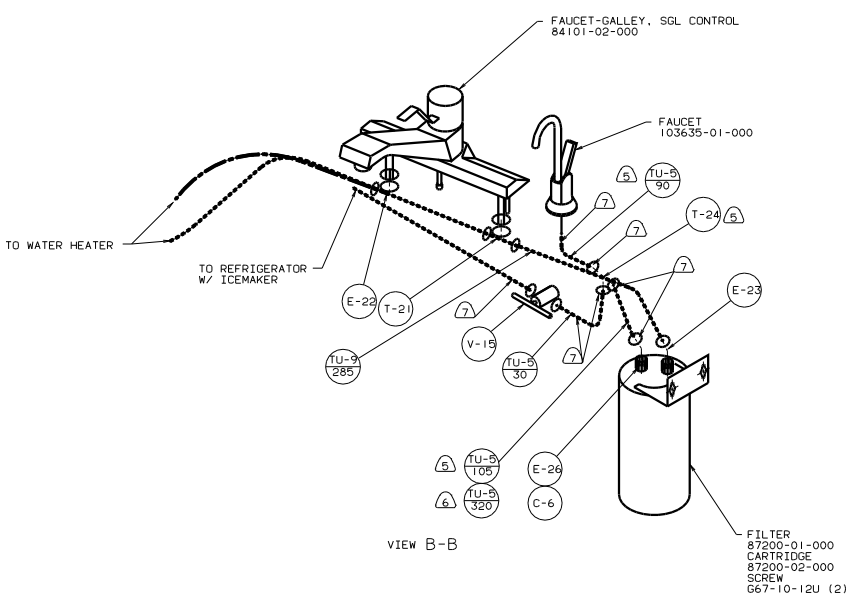
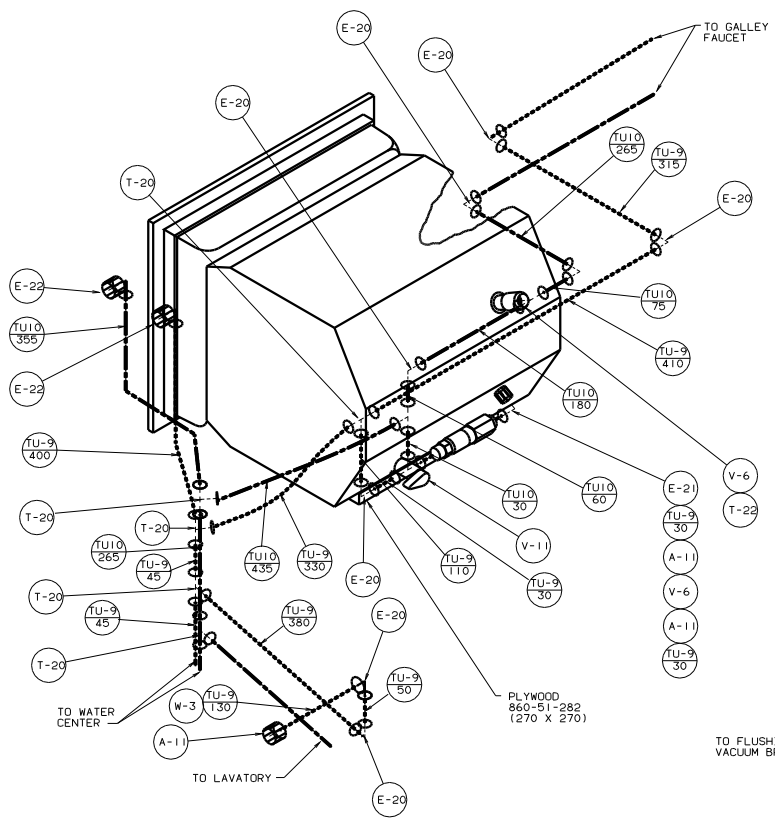
FAUCET-SHOWER
 78503-01-CHT
 PANEL-SHOWER FAUCET
 78498-01-CHT

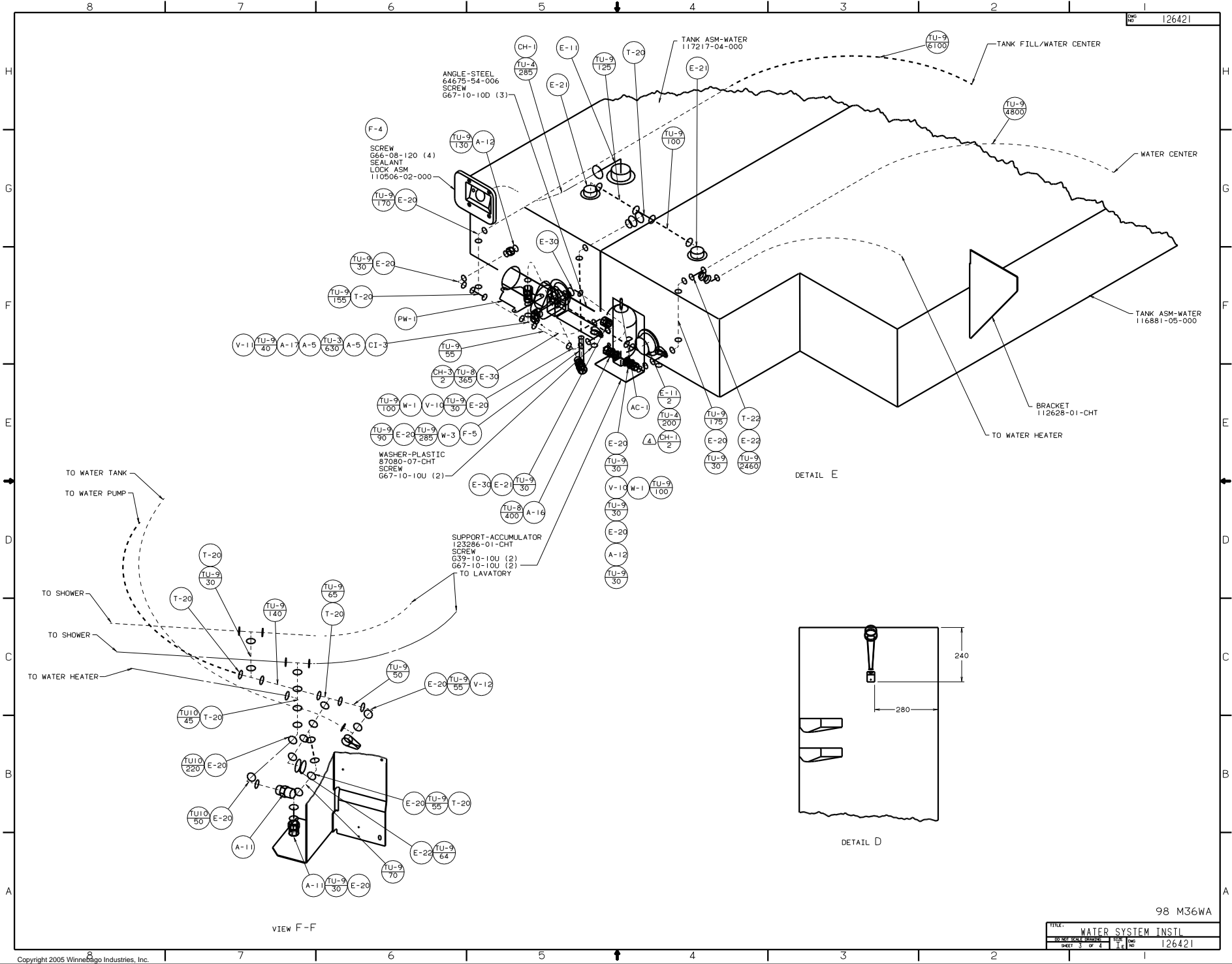


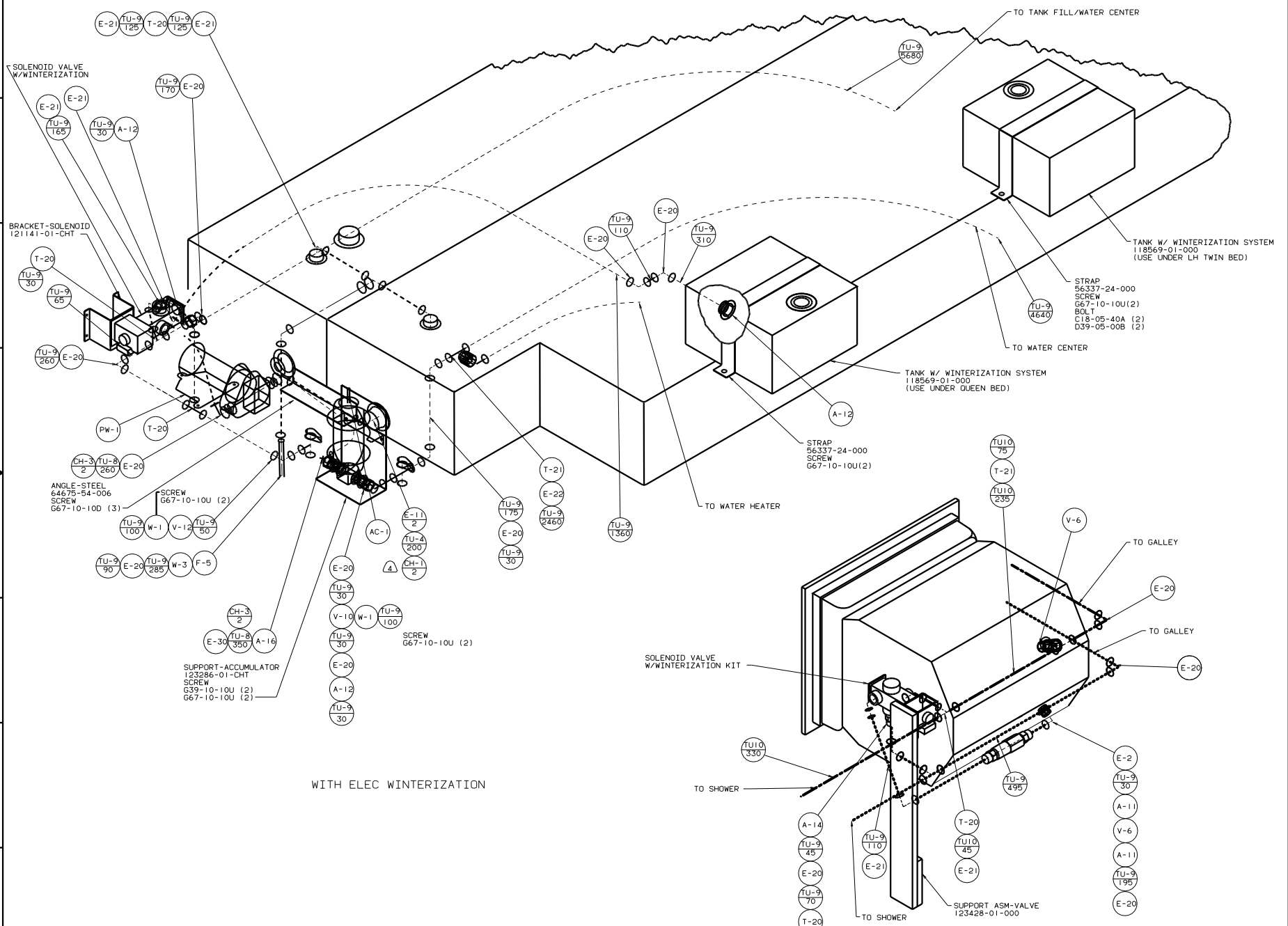
FOR WATER CALLOUTS SEE DWG NO. 116230-01-000

LEGEND	
HOT	-----
COLD	*****

WINNEBAGO		98 M36WA
DATE	DATE	PROPOSED TOLERANCES ARE:
DATE	DATE	WHOLE DIM (X1)
DATE	DATE	F.F.
DATE	DATE	2ND-PLACE (X1.00)
DATE	DATE	3RD-PLACE (X1.000)
DATE	DATE	4TH-PLACE (X1.0000)
DATE	DATE	5TH-PLACE (X1.00000)
DATE	DATE	6TH-PLACE (X1.000000)
DATE	DATE	7TH-PLACE (X1.0000000)
DATE	DATE	8TH-PLACE (X1.00000000)
DATE	DATE	9TH-PLACE (X1.000000000)
DATE	DATE	10TH-PLACE (X1.0000000000)
DATE	DATE	11TH-PLACE (X1.00000000000)
DATE	DATE	12TH-PLACE (X1.000000000000)
DATE	DATE	13TH-PLACE (X1.0000000000000)
DATE	DATE	14TH-PLACE (X1.00000000000000)
DATE	DATE	15TH-PLACE (X1.000000000000000)
DATE	DATE	16TH-PLACE (X1.0000000000000000)
DATE	DATE	17TH-PLACE (X1.00000000000000000)
DATE	DATE	18TH-PLACE (X1.000000000000000000)
DATE	DATE	19TH-PLACE (X1.0000000000000000000)
DATE	DATE	20TH-PLACE (X1.00000000000000000000)
DATE	DATE	21ST-PLACE (X1.000000000000000000000)
DATE	DATE	22ND-PLACE (X1.0000000000000000000000)
DATE	DATE	23RD-PLACE (X1.00000000000000000000000)
DATE	DATE	24TH-PLACE (X1.000000000000000000000000)
DATE	DATE	25TH-PLACE (X1.0000000000000000000000000)
DATE	DATE	26TH-PLACE (X1.00000000000000000000000000)
DATE	DATE	27TH-PLACE (X1.000000000000000000000000000)
DATE	DATE	28TH-PLACE (X1.0000000000000000000000000000)
DATE	DATE	29TH-PLACE (X1.00000000000000000000000000000)
DATE	DATE	30TH-PLACE (X1.000000000000000000000000000000)
DATE	DATE	31ST-PLACE (X1.0000000000000000000000000000000)
DATE	DATE	32ND-PLACE (X1.00000000000000000000000000000000)
DATE	DATE	33RD-PLACE (X1.000000000000000000000000000000000)
DATE	DATE	34TH-PLACE (X1.0000000000000000000000000000000000)
DATE	DATE	35TH-PLACE (X1.00000000000000000000000000000000000)
DATE	DATE	36TH-PLACE (X1.000000000000000000000000000000000000)
DATE	DATE	37TH-PLACE (X1.0000000000000000000000000000000000000)
DATE	DATE	38TH-PLACE (X1.00000000000000000000000000000000000000)
DATE	DATE	39TH-PLACE (X1.000000000000000000000000000000000000000)
DATE	DATE	40TH-PLACE (X1.00)
DATE	DATE	41ST-PLACE (X1.000)
DATE	DATE	42ND-PLACE (X1.00)
DATE	DATE	43RD-PLACE (X1.000)
DATE	DATE	44TH-PLACE (X1.00)
DATE	DATE	45TH-PLACE (X1.000)
DATE	DATE	46TH-PLACE (X1.00)
DATE	DATE	47TH-PLACE (X1.000)
DATE	DATE	48TH-PLACE (X1.00)
DATE	DATE	49TH-PLACE (X1.000)
DATE	DATE	50TH-PLACE (X1.00)







98 M36WA

TITLE		WATER SYSTEM INSTL	
NO	REV	DATE	BY
1	1		
SHEET 4 OF 4		126421	