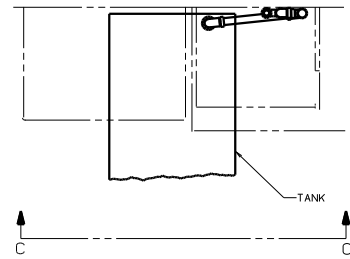
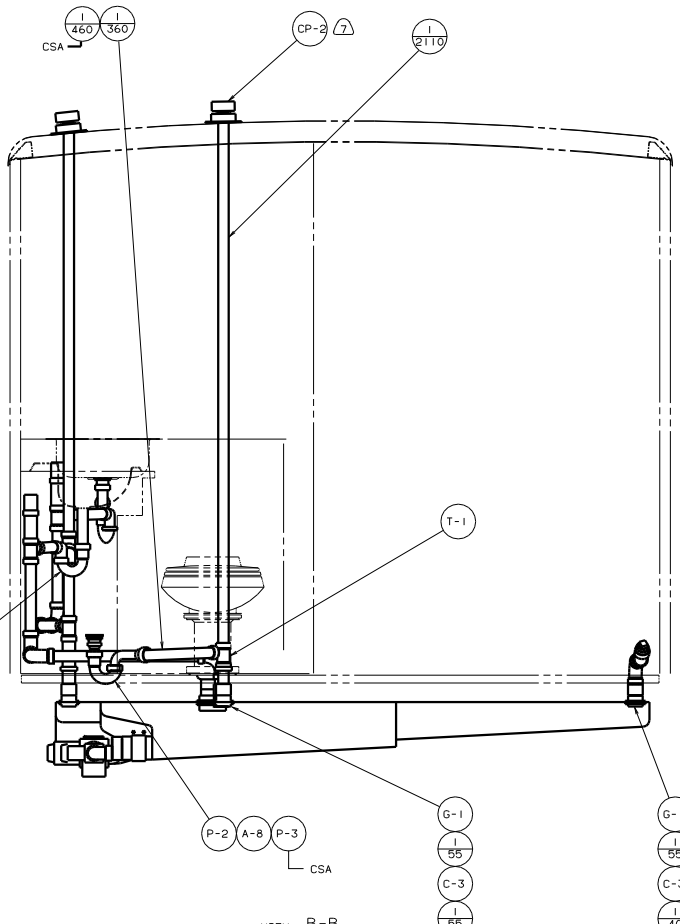


- (10) INCLUDED WITH GALLEY STRAINER.
- (9) 43M TOILET-PORCELAIN, ELONGATE.
- (8) SECURE VENT TUBES TO FLOOR.
- (7) VENT PIPE MUST BE PROJECTED 51 TO 64 MAXIMUM ABOVE ROOF FOR PROPER FIT AND FUNCTION.
- (6) SEE DRAWING 61607-01-000 FOR INSTALLATION OF GROMMET.
- 5. SEAL ALL AROUND SHOWER WITH SILICONE 78474-01-CHT.
- 4. FOR CANADIAN UNITS EACH HOLDING TANK SHALL HAVE A CSA APPROVAL STAMPED NEAR IAPMO APPROVAL.
- 3. ALL PIPE AND FITTINGS TO BE ASSEMBLED WITH SOLVENT 4020-01-000.
- 2. SLOPE OF TRAP MUST BE 6 PER 300 MINIMUM.
- 1. SLOPE OF HORIZONTAL PIPING TO BE 6 PER 300 MINIMUM.

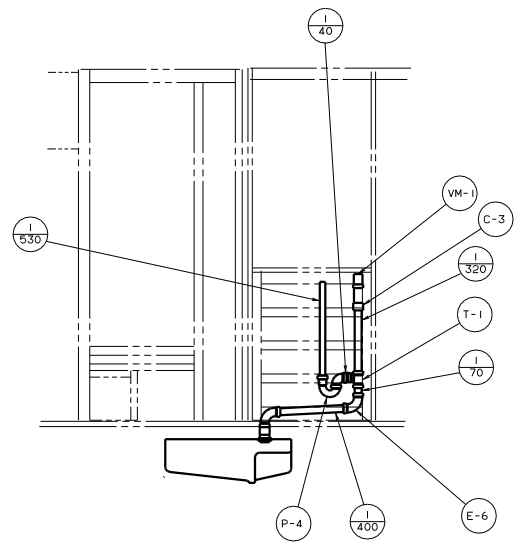
- (A) CLAMP 62401-05-000
BRACKET 95061-01-000 (2)
SCREW G67-01-12B (2)
- BRACKET ASM-TOWEL DISPENSER 126344-01-CHT
DISPENSER-SOAP 114899-01-000
DISPENSER-TOWEL 115004-01-000
SCREW G67-10-10D (4)
- (B) CLAMP 62401-05-000
BRACKET 95061-01-000 (2)
SCREW G67-01-12B (2)
- (C) CLAMP 62401-09-000 (2)

(X-X) FOR DRAINAGE CALLOUTS SEE DWG NO. 116229-01-000

LABOR M35W0		TITLE DRAINAGE SYSTEM INSTL	
DATE	UNDESIGNED TOLERANCES ARE:	MATERIAL	
DATE	WHOLE DIM (IN)	F	
DATE	ONE-PLACE (IN.X1)	F	
DATE	TWO-PLACE (IN.XXX)	F	
DATE	MIXED	F	
DATE	THIRD PLACE (IN.XXXX)	F	
DATE	FOURTH PLACE (IN.XXXXX)	F	
DATE	FIFTH PLACE (IN.XXXXXX)	F	
DATE	SIXTH PLACE (IN.XXXXXXX)	F	
DATE	SEVENTH PLACE (IN.XXXXXXX)	F	
DATE	EIGHTH PLACE (IN.XXXXXXX)	F	
DATE	NINTH PLACE (IN.XXXXXXX)	F	
DATE	TENTH PLACE (IN.XXXXXXX)	F	
DATE	ELEVENTH PLACE (IN.XXXXXXX)	F	
DATE	TWELFTH PLACE (IN.XXXXXXX)	F	
DATE	THIRTEENTH PLACE (IN.XXXXXXX)	F	
DATE	FOURTEENTH PLACE (IN.XXXXXXX)	F	
DATE	FIFTEENTH PLACE (IN.XXXXXXX)	F	
DATE	SIXTEENTH PLACE (IN.XXXXXXX)	F	
DATE	SEVENTEENTH PLACE (IN.XXXXXXX)	F	
DATE	EIGHTEENTH PLACE (IN.XXXXXXX)	F	
DATE	NINETEENTH PLACE (IN.XXXXXXX)	F	
DATE	TWENTIETH PLACE (IN.XXXXXXX)	F	
DATE	21ST PLACE (IN.XXXXXXX)	F	
DATE	22ND PLACE (IN.XXXXXXX)	F	
DATE	23RD PLACE (IN.XXXXXXX)	F	
DATE	24TH PLACE (IN.XXXXXXX)	F	
DATE	25TH PLACE (IN.XXXXXXX)	F	
DATE	26TH PLACE (IN.XXXXXXX)	F	
DATE	27TH PLACE (IN.XXXXXXX)	F	
DATE	28TH PLACE (IN.XXXXXXX)	F	
DATE	29TH PLACE (IN.XXXXXXX)	F	
DATE	THIRTIETH PLACE (IN.XXXXXXX)	F	
DATE	THIRTY-FIRST PLACE (IN.XXXXXXX)	F	
DATE	THIRTY-SECOND PLACE (IN.XXXXXXX)	F	
DATE	THIRTY-THIRD PLACE (IN.XXXXXXX)	F	
DATE	THIRTY-FOURTH PLACE (IN.XXXXXXX)	F	
DATE	THIRTY-FIFTH PLACE (IN.XXXXXXX)	F	
DATE	THIRTY-SIXTH PLACE (IN.XXXXXXX)	F	
DATE	THIRTY-SEVENTH PLACE (IN.XXXXXXX)	F	
DATE	THIRTY-EIGHTH PLACE (IN.XXXXXXX)	F	
DATE	THIRTY-NINTH PLACE (IN.XXXXXXX)	F	
DATE	FOURTIETH PLACE (IN.XXXXXXX)	F	
DATE	FOURTY-FIRST PLACE (IN.XXXXXXX)	F	
DATE	FOURTY-SECOND PLACE (IN.XXXXXXX)	F	
DATE	FOURTY-THIRD PLACE (IN.XXXXXXX)	F	
DATE	FOURTY-FOURTH PLACE (IN.XXXXXXX)	F	
DATE	FOURTY-FIFTH PLACE (IN.XXXXXXX)	F	
DATE	FOURTY-SIXTH PLACE (IN.XXXXXXX)	F	
DATE	FOURTY-SEVENTH PLACE (IN.XXXXXXX)	F	
DATE	FOURTY-EIGHTH PLACE (IN.XXXXXXX)	F	
DATE	FOURTY-NINTH PLACE (IN.XXXXXXX)	F	
DATE	FIFTIETH PLACE (IN.XXXXXXX)	F	
DATE	FIFTY-FIRST PLACE (IN.XXXXXXX)	F	
DATE	FIFTY-SECOND PLACE (IN.XXXXXXX)	F	
DATE	FIFTY-THIRD PLACE (IN.XXXXXXX)	F	
DATE	FIFTY-FOURTH PLACE (IN.XXXXXXX)	F	
DATE	FIFTY-FIFTH PLACE (IN.XXXXXXX)	F	
DATE	FIFTY-SIXTH PLACE (IN.XXXXXXX)	F	
DATE	FIFTY-SEVENTH PLACE (IN.XXXXXXX)	F	
DATE	FIFTY-EIGHTH PLACE (IN.XXXXXXX)	F	
DATE	FIFTY-NINTH PLACE (IN.XXXXXXX)	F	
DATE	SIXTIETH PLACE (IN.XXXXXXX)	F	
DATE	SIXTY-FIRST PLACE (IN.XXXXXXX)	F	
DATE	SIXTY-SECOND PLACE (IN.XXXXXXX)	F	
DATE	SIXTY-THIRD PLACE (IN.XXXXXXX)	F	
DATE	SIXTY-FOURTH PLACE (IN.XXXXXXX)	F	
DATE	SIXTY-FIFTH PLACE (IN.XXXXXXX)	F	
DATE	SIXTY-SIXTH PLACE (IN.XXXXXXX)	F	
DATE	SIXTY-SEVENTH PLACE (IN.XXXXXXX)	F	
DATE	SIXTY-EIGHTH PLACE (IN.XXXXXXX)	F	
DATE	SIXTY-NINTH PLACE (IN.XXXXXXX)	F	
DATE	SEVENTIETH PLACE (IN.XXXXXXX)	F	
DATE	SEVENTY-FIRST PLACE (IN.XXXXXXX)	F	
DATE	SEVENTY-SECOND PLACE (IN.XXXXXXX)	F	
DATE	SEVENTY-THIRD PLACE (IN.XXXXXXX)	F	
DATE	SEVENTY-FOURTH PLACE (IN.XXXXXXX)	F	
DATE	SEVENTY-FIFTH PLACE (IN.XXXXXXX)	F	
DATE	SEVENTY-SIXTH PLACE (IN.XXXXXXX)	F	
DATE	SEVENTY-SEVENTH PLACE (IN.XXXXXXX)	F	
DATE	SEVENTY-EIGHTH PLACE (IN.XXXXXXX)	F	
DATE	SEVENTY-NINTH PLACE (IN.XXXXXXX)	F	
DATE	EIGHTIETH PLACE (IN.XXXXXXX)	F	
DATE	EIGHTY-FIRST PLACE (IN.XXXXXXX)	F	
DATE	EIGHTY-SECOND PLACE (IN.XXXXXXX)	F	
DATE	EIGHTY-THIRD PLACE (IN.XXXXXXX)	F	
DATE	EIGHTY-FOURTH PLACE (IN.XXXXXXX)	F	
DATE	EIGHTY-FIFTH PLACE (IN.XXXXXXX)	F	
DATE	EIGHTY-SIXTH PLACE (IN.XXXXXXX)	F	
DATE	EIGHTY-SEVENTH PLACE (IN.XXXXXXX)	F	
DATE	EIGHTY-EIGHTH PLACE (IN.XXXXXXX)	F	
DATE	EIGHTY-NINTH PLACE (IN.XXXXXXX)	F	
DATE	NINETY PLACE (IN.XXXXXXX)	F	
DATE	NINETY-FIRST PLACE (IN.XXXXXXX)	F	
DATE	NINETY-SECOND PLACE (IN.XXXXXXX)	F	
DATE	NINETY-THIRD PLACE (IN.XXXXXXX)	F	
DATE	NINETY-FOURTH PLACE (IN.XXXXXXX)	F	
DATE	NINETY-FIFTH PLACE (IN.XXXXXXX)	F	
DATE	NINETY-SIXTH PLACE (IN.XXXXXXX)	F	
DATE	NINETY-SEVENTH PLACE (IN.XXXXXXX)	F	
DATE	NINETY-EIGHTH PLACE (IN.XXXXXXX)	F	
DATE	NINETY-NINTH PLACE (IN.XXXXXXX)	F	
DATE	HUNDRED PLACE (IN.XXXXXXX)	F	

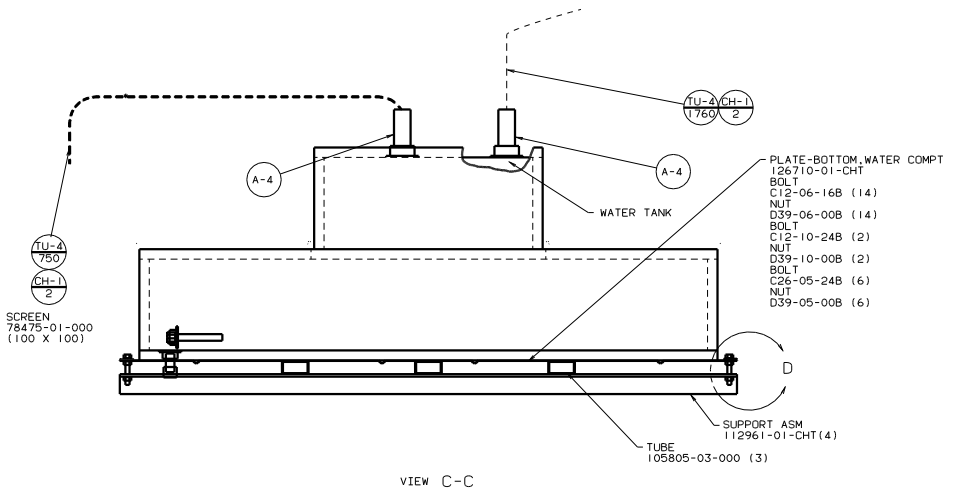
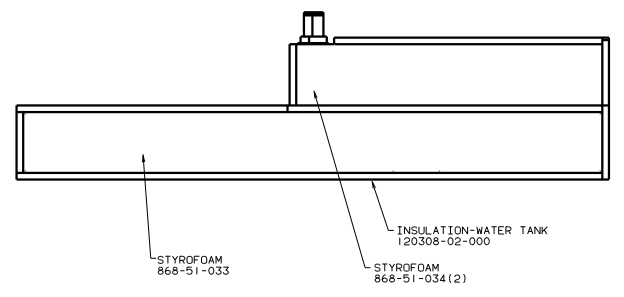
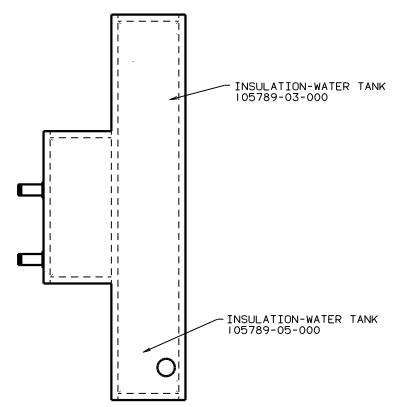
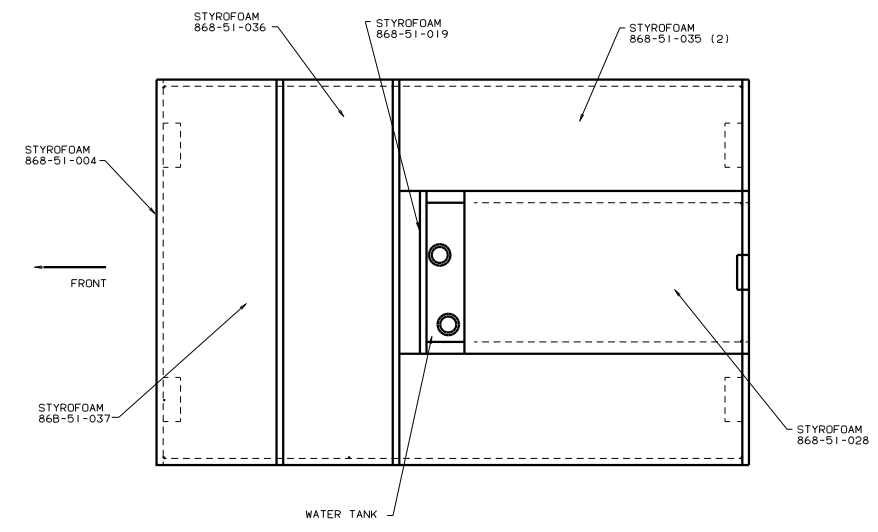
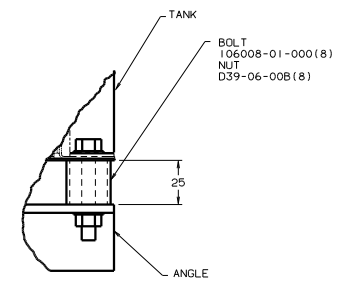
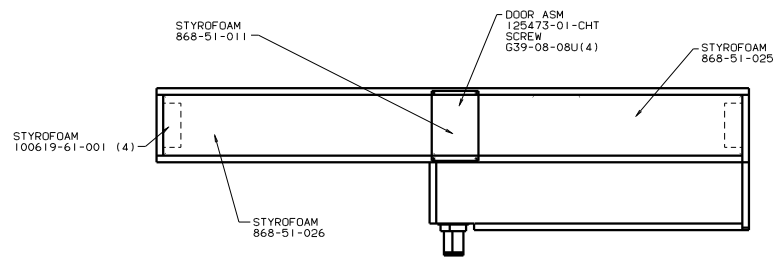


DETAIL A WITH WASHER/DRYER



VIEW C-C

- CLAMP (8) 62401-05-000
- BRACKET 95061-01-000 (2)
- SCREW 667-01-12B (2)
- CLAMP (8) 62401-05-000
- BRACKET 95061-01-000 (2)
- SCREW 667-01-12B (2)



98 M35WQ	
TITLE: WATER SYSTEM INSTL	
NO. OF SHEETS	TOTAL SHEETS
4 OF 5	5
126610	

