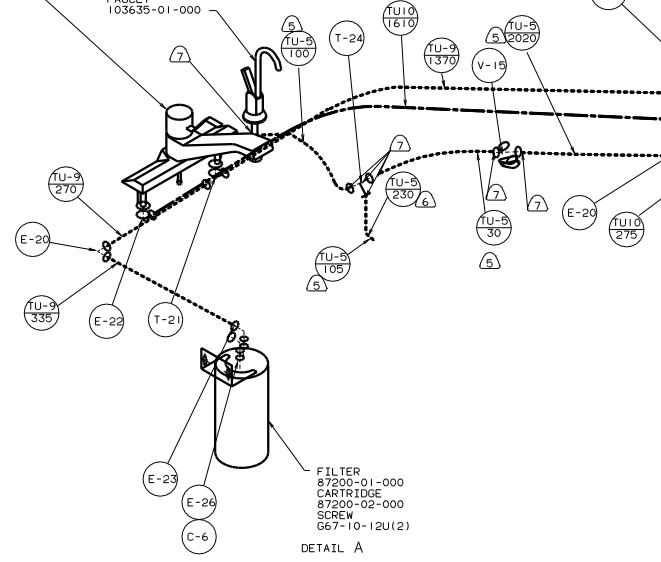


FAUCET-GALLEY, SGL CONTROL
84101-02-000

FAUCET
103635-01-000



FILTER
 87200-01-000
 CARTRIDGE
 87200-02-000
 SCREW
 667-10-12U(2)

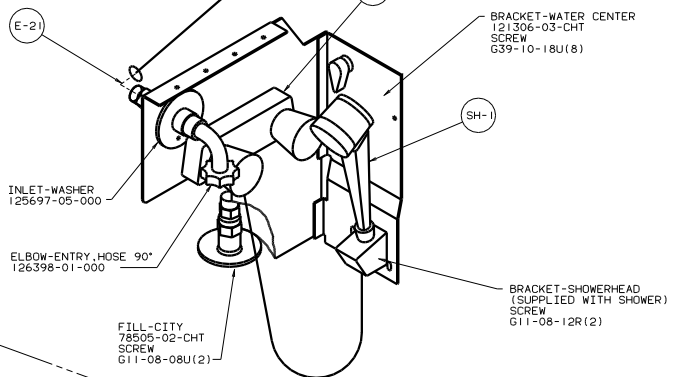
DETAIL A

TO REFER
ICE MAKER

TO TANK

TO LAVATORY

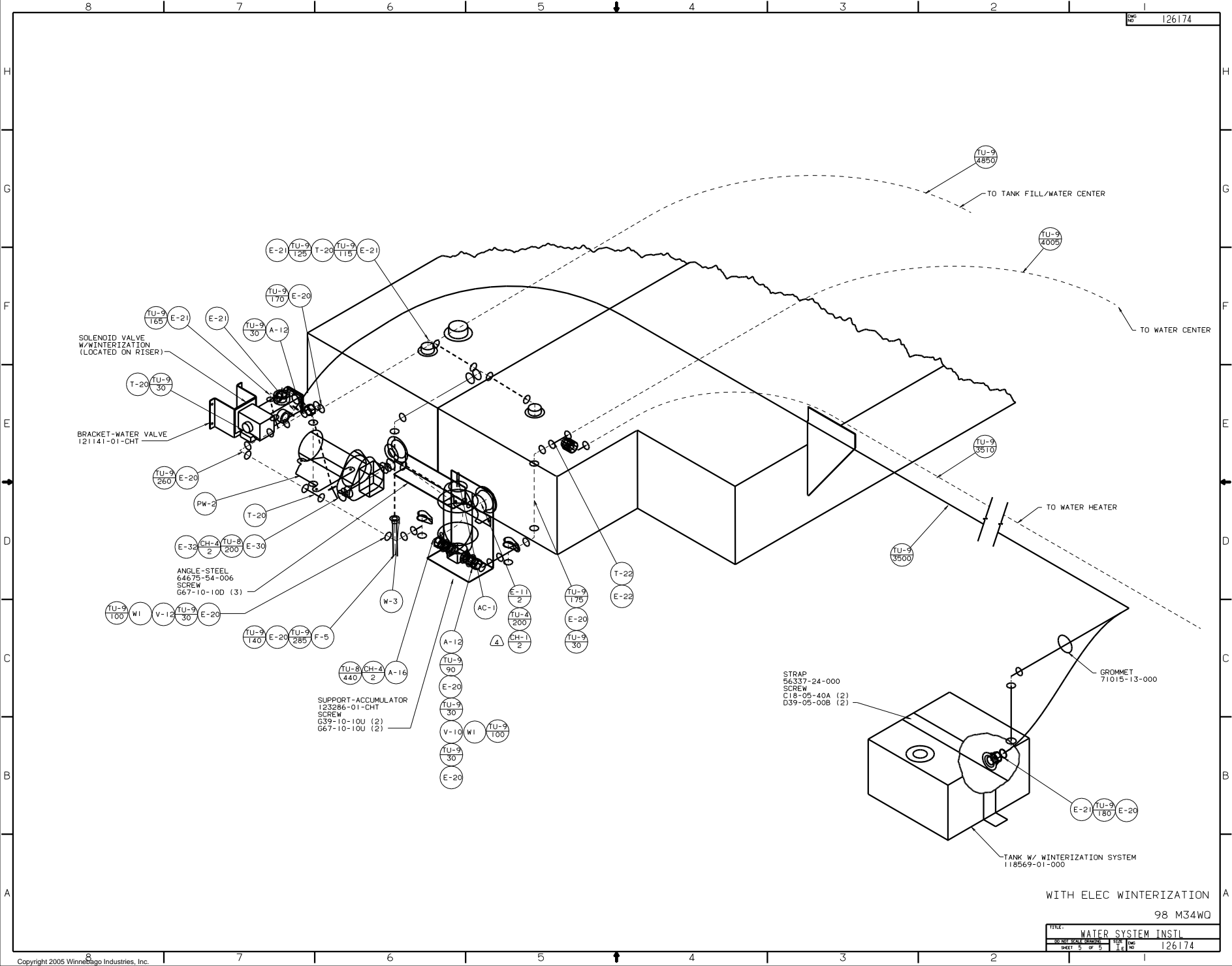
TO FLUSHING SYSTEM
VACUUM BREAKER



DETAIL B

98 M34WQ

TITLE		WATER SYSTEM INSTL	
NO	SCALE	REV	DATE
2		1	
SHEET 2 OF 5		126174	



SOLENOID VALVE
W/WINTERIZATION
(LOCATED ON RISER)

BRACKET-WATER VALVE
121141-01-CHT

ANGLE-STEEL
64675-64-006
SCREW
G67-10-10D (3)

SUPPORT-ACCUMULATOR
123286-01-CHT
SCREW
G39-10-10U (2)
G67-10-10U (2)

STRAP
56337-24-000
SCREW
C18-05-40A (2)
D39-05-00B (2)

TANK W/ WINTERIZATION SYSTEM
118569-01-000

WITH ELEC WINTERIZATION
98 M34WD

TITLE		126174	
NO. OF SHEETS	5	OF	5
SHEET NO.	5	REV.	1