

RETAINER
 81828-01-CHT
 83699-15-CHT(2)
 83699-16-CHT
 83699-19-CHT(3)
 SINK-SST, DOUBLE
 110654-01-000(US/CAN)
 STRAINER
 92303-01-000(2)
 SEAL
 91255-02-000 (A/R)
 RETAINER
 105497-02-000(6)
 SCREW
 G67-06-10U(22)
 WASHER-RUBBER
 127440-02-CHT(2)

SINK
 105921-01-CHT
 SPACER
 105218-01-CHT
 STRAINER
 106116-01-CHT
 SEAL
 91255-02-000 (A/R)

STRAP-CONDUIT
 8406-01-000
 SCREW
 G39-10-10T(2)

CLAMP-HOSE
 62401-05-000
 BRACKET-PIPE
 95061-01-000(2)

A-11
 W-7
 A-9

PIPE-FLEX
 126426-01-000
 (1120)
 PRIMER
 126427-02-000
 CEMENT
 126427-01-000

SHOWER INSTL-ENCLOSURE
 127290-01-000
 DRAIN
 120981-01-CHT
 69610-01-000
 WASHER
 127440-02-CHT
 TAILPIECE
 11069-02-000
 NUT
 130403-01-000

LUMBER
 942-D0-100
 CABLE TIE
 T08946-Q1-000

PLYWOOD
 860-51-282
 (270 X 270)

STRAP-CONDUIT
 84061-01-000
 SCREW
 G39-10-10T(2)

CLAMP-HOSE
 62401-05-000
 BRACKET-PIPE
 95061-01-000(2)

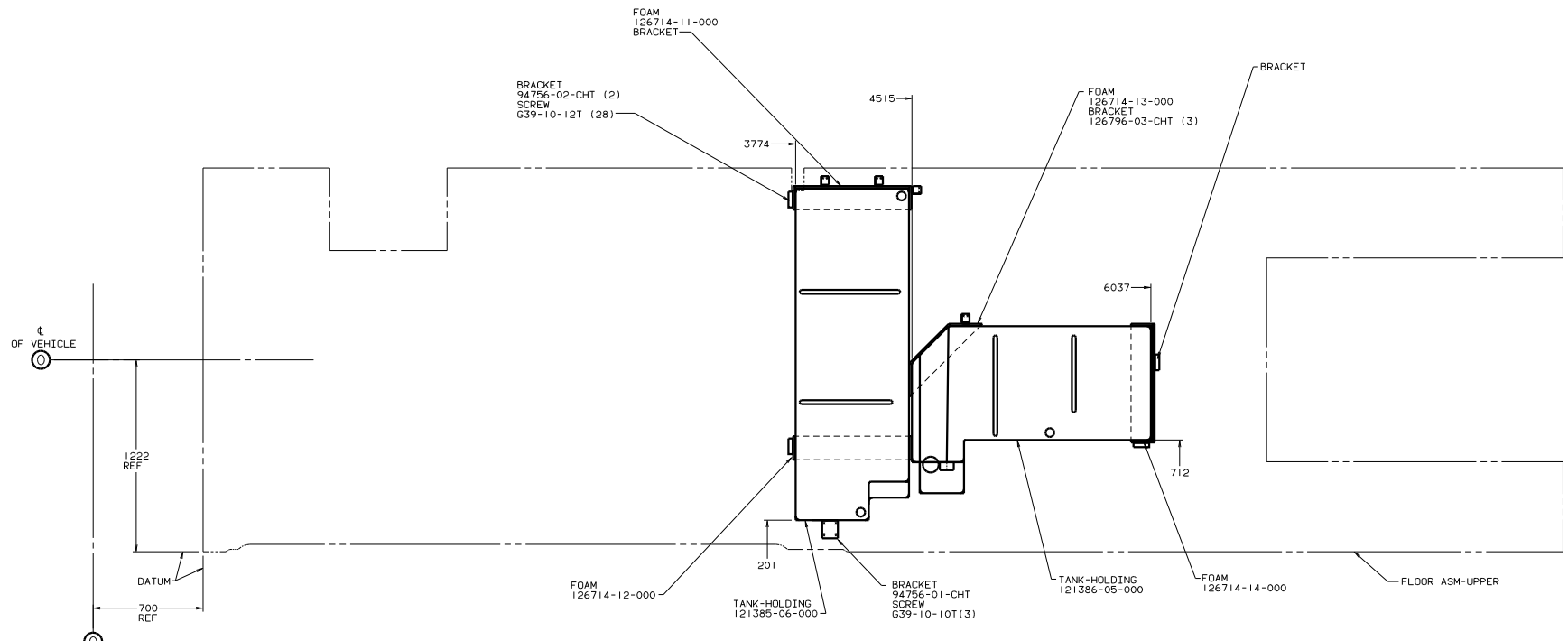
TOILET
 85321-04-000
 CLAMP
 62401-05-000

1. BRACKET ON PLATFORM ASM MAY NEED TO BE REPOSITIONED.
2. CLAMP TO FIT.
3. TRIM TO FIT.
4. CSA ONLY.
5. US ONLY.
6. SECURE VENT TUBES TO FLOOR WITH BRACKET.
7. VENT PIPE MUST PROJECT 51 MIN AND 63.5 MAX ABOVE ROOF FOR PROPER FIT AND FUNCTION.
8. SEE DWG 61607-01-000 FOR INSTL OF GROMMETS.
9. SEAL ALL AROUND SHOWER WITH SILICONE.
10. FOR CANADIAN UNITS EACH HOLDING TANK SHALL HAVE A CSA APPROVAL STAMPED NEAR THE TAMPO APPROVAL.
11. EXPOSED PIPE ABOVE ROOF TO BE PAINTED WITH 37163-01-000.
12. ALL EXTERIOR OPENINGS AROUND PIPE TO BE SEALED WITH 11074-01-000.
13. ALL PIPE AND FITTINGS TO BE ASSEMBLED WITH SOLVENT 4020-01-000.
14. SLOPE OF TRAP ARM MUST BE 6 PER 305.
15. SLOPE OF HORIZONTAL PIPING TO BE 6 PER 305 MIN.

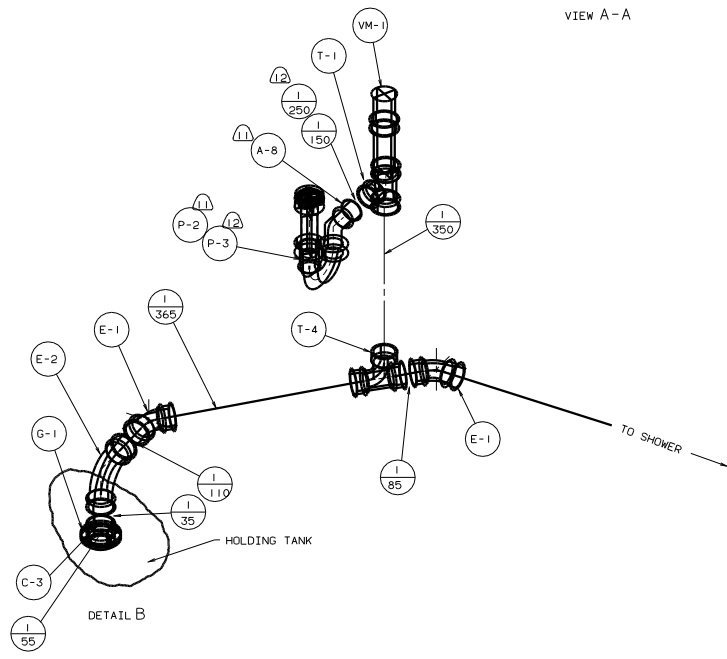
16. SECURE PIPES TO CABINET USING WIRE TIE 108046-02-000 AND SCREW G67-10-12U(8).
17. COVER PIPE FROM ELBOW UP USING SCRAP 9CARPT-02-000 WHEN AVAILABLE OR 9CARPT-02-000 (150 X 178).
18. OPTION 41K.

WINNEBAGO 98 L36W08, PUSHER			
DATE	DATE	PROPOSED TOLERANCES ARE:	MATERIAL:
DRW		W/OLE DIM (X1)	
P.E.		FIN-PLAGE (X1.0)	
DATE	DATE	THIRD ANGLE PROJECTION	
LAYER	KL36W08	TITLE	DRAINAGE SYSTEM INSTL
SUN #	SCALE: NONE	SHEET	1 OF 2
ALL DIMENSIONS ARE IN MILLIMETERS			125998

X-X FOR DRAINAGE CALLOUTS SEE DWG NO. 16229-01-000



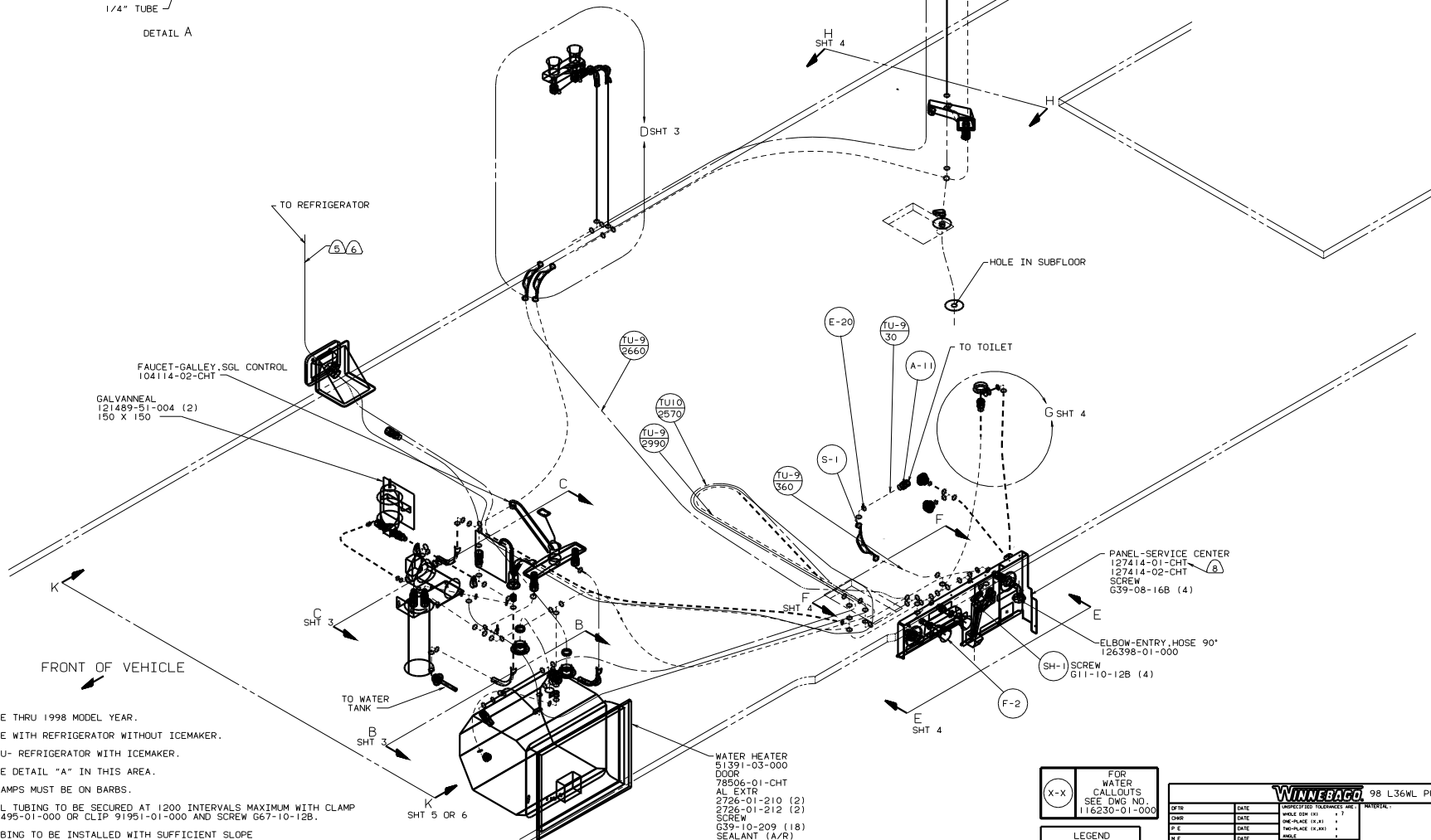
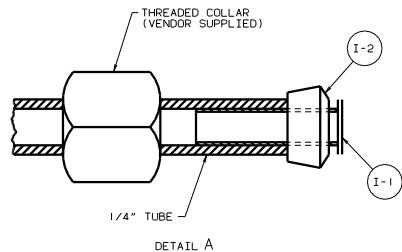
VIEW A-A



DETAIL B

98 L36WQ, PUSHER

TITLE: DRAINAGE SYSTEM INSIL		DWG NO: 125998	
DATE: 2005	BY: [Signature]	CHK: [Signature]	APP: [Signature]
SHEET 2 OF 2		PAGE 1	



- Ⓐ USE THRU 1998 MODEL YEAR.
 - Ⓑ USE WITH REFRIGERATOR WITHOUT ICEMAKER.
 - Ⓒ 15U- REFRIGERATOR WITH ICEMAKER.
 - Ⓓ USE DETAIL "A" IN THIS AREA.
 - Ⓔ CLAMPS MUST BE ON BARBS.
3. ALL TUBING TO BE SECURED AT 1200 INTERVALS MAXIMUM WITH CLAMP 10495-01-000 OR CLIP 91951-01-000 AND SCREW G67-10-12B.
 2. TUBING TO BE INSTALLED WITH SUFFICIENT SLOPE TO PROVIDE DRAINAGE TO NEAREST VALVE.
 1. PLASTIC FITTINGS TO BE SEALED WITH SEALANT 84456-01-000.

FOR WATER CALLOUTS SEE DWG NO J16230-01-000

LEGEND

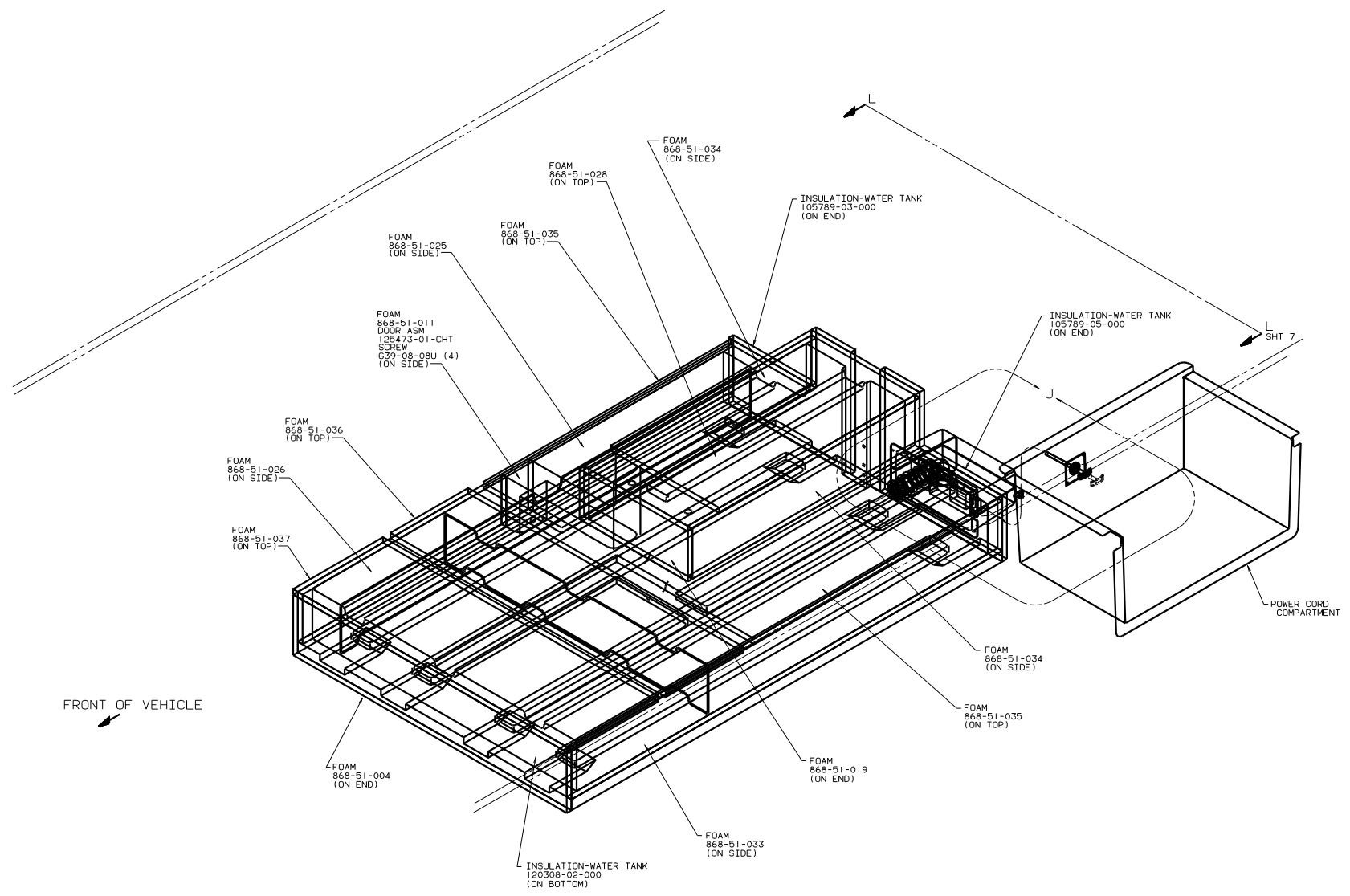
HOT

COLD

WINNEBAGO 98 L36WL PUSHER

DATE	UNDESIGNED TOLERANCES ARE:	MATERIAL
DATE	WHOLE DIM (IN)	
DATE	ONE-PLACE (IN.X1)	
DATE	TWO-PLACE (IN.XX)	
DATE	THREE-PLACE (IN.XXX)	
DATE	THREE-PLACE (IN.XXX)	
DATE	THREE-PLACE (IN.XXX)	
DATE	THREE-PLACE (IN.XXX)	
DATE	THREE-PLACE (IN.XXX)	

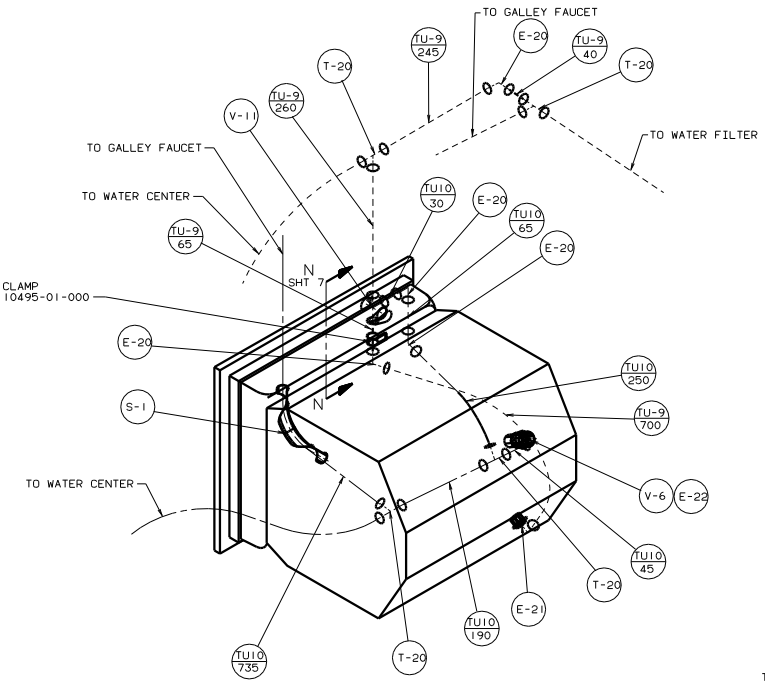
LANO KL36WD TITLE WATER SYSTEM INSTL
 DIV # SCALE NONE 30 PER SCALE DRAWING THE DWG NO 125997
 ALL DIMENSIONS ARE IN MILLIMETERS SHEET 1 OF 7 I.E.



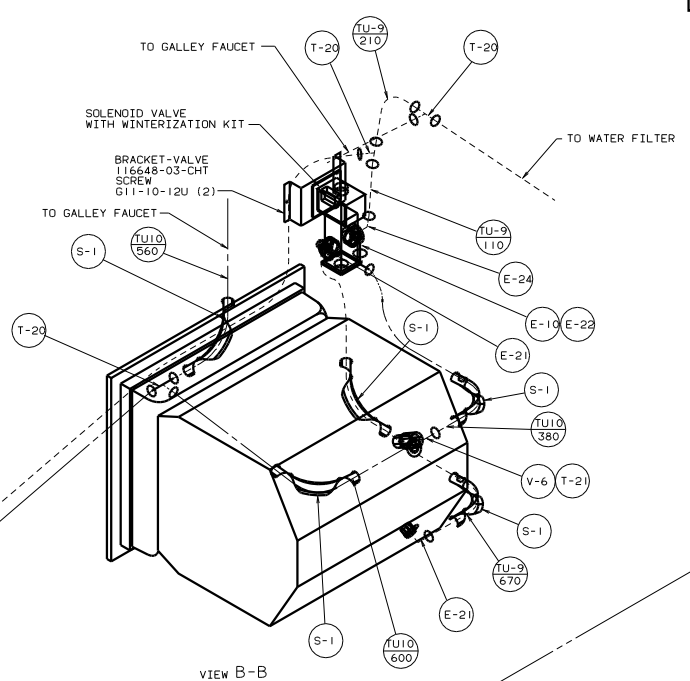
FRONT OF VEHICLE

98 L36WL PUSHER

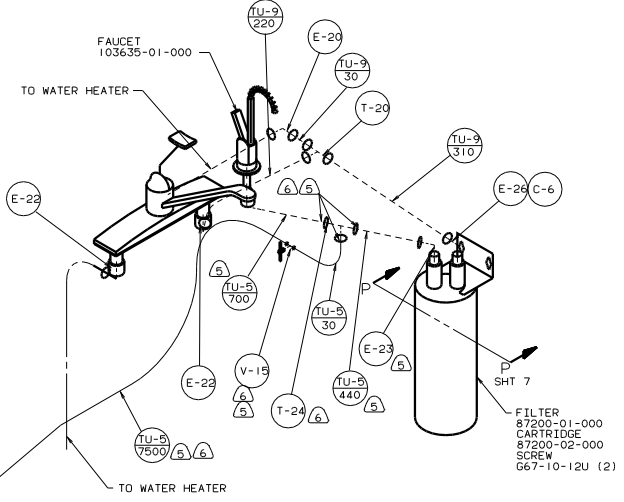
TITLE: WATER SYSTEM INSTL	
DO NOT SCALE DRAWING	Doc No 125997
SHEET 2 OF 7	1 of 1



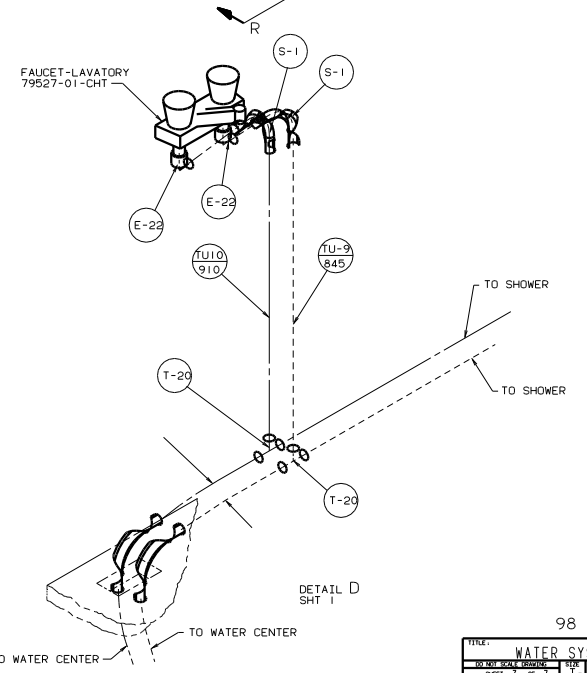
VIEW B-B
SHT 1
53J-WATER HEATER BYPASS VALVE



VIEW B-B
SHT 1
530-WATER HEATER AUTOMATIC WINTER



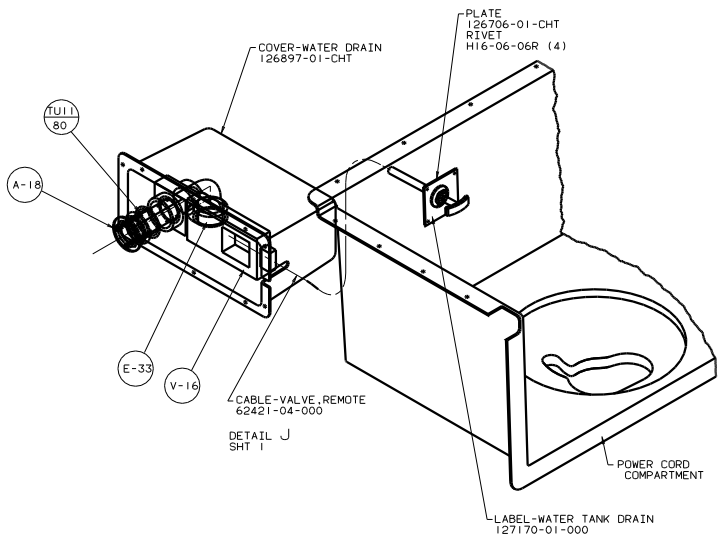
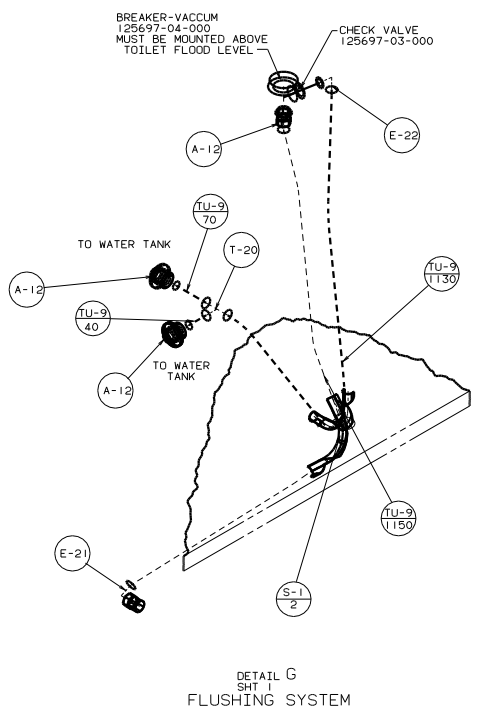
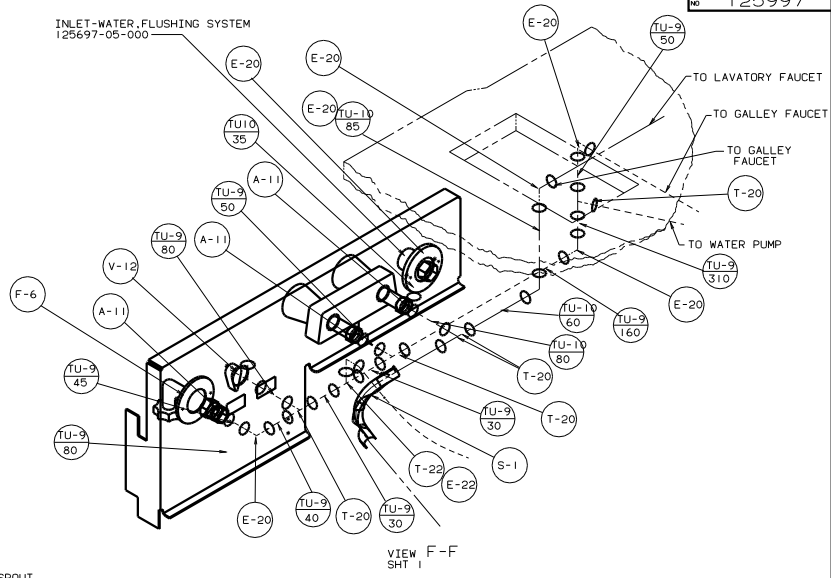
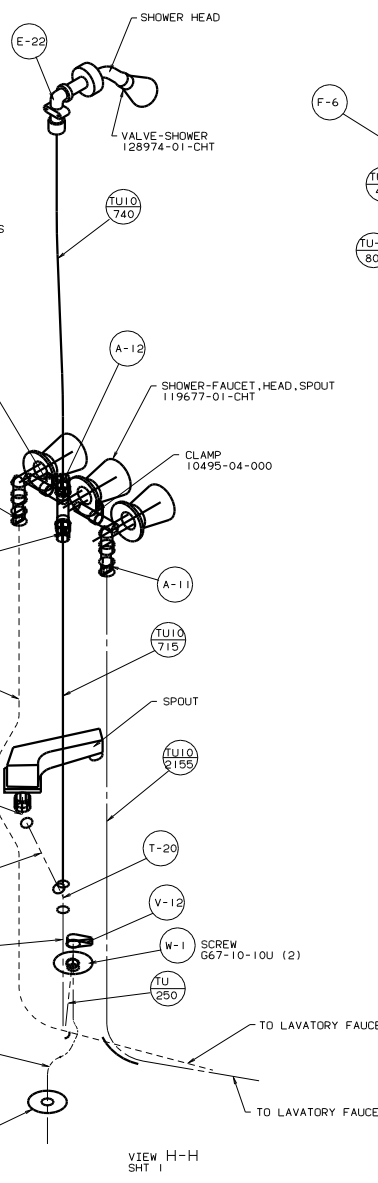
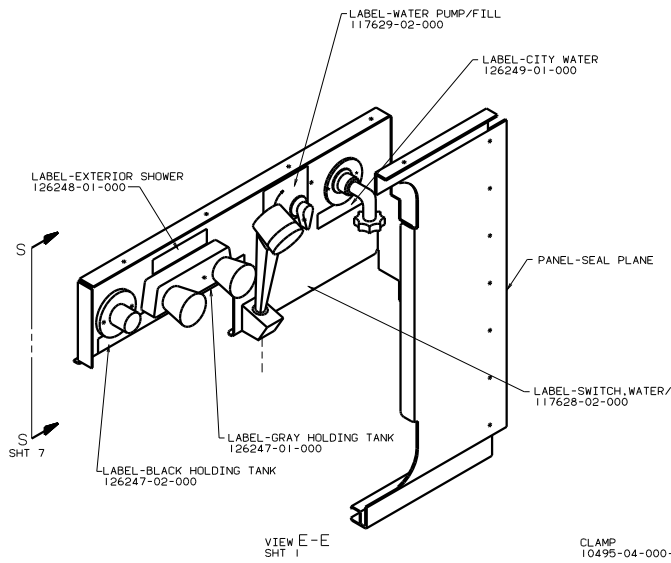
VIEW C-C
SHT 1
29B-WATER PURIFIER

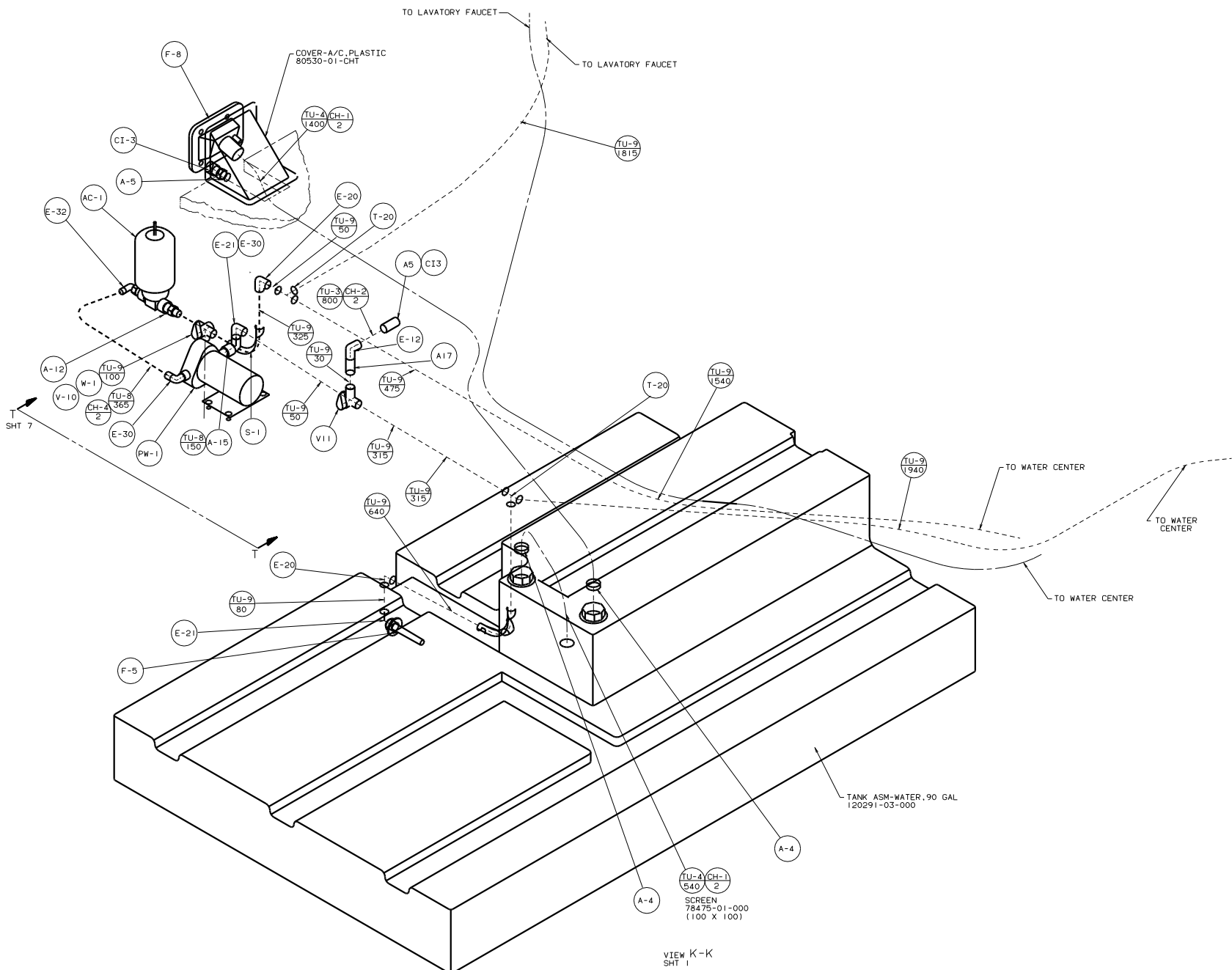


DETAIL D
SHT 1

98 L36WL PUSHER

TITLE		WATER SYSTEM INSTL	
30	NO SCALE DRAWING	1/8"	1/8"
SHEET 3	OF 7	FIG	NO
		125997	

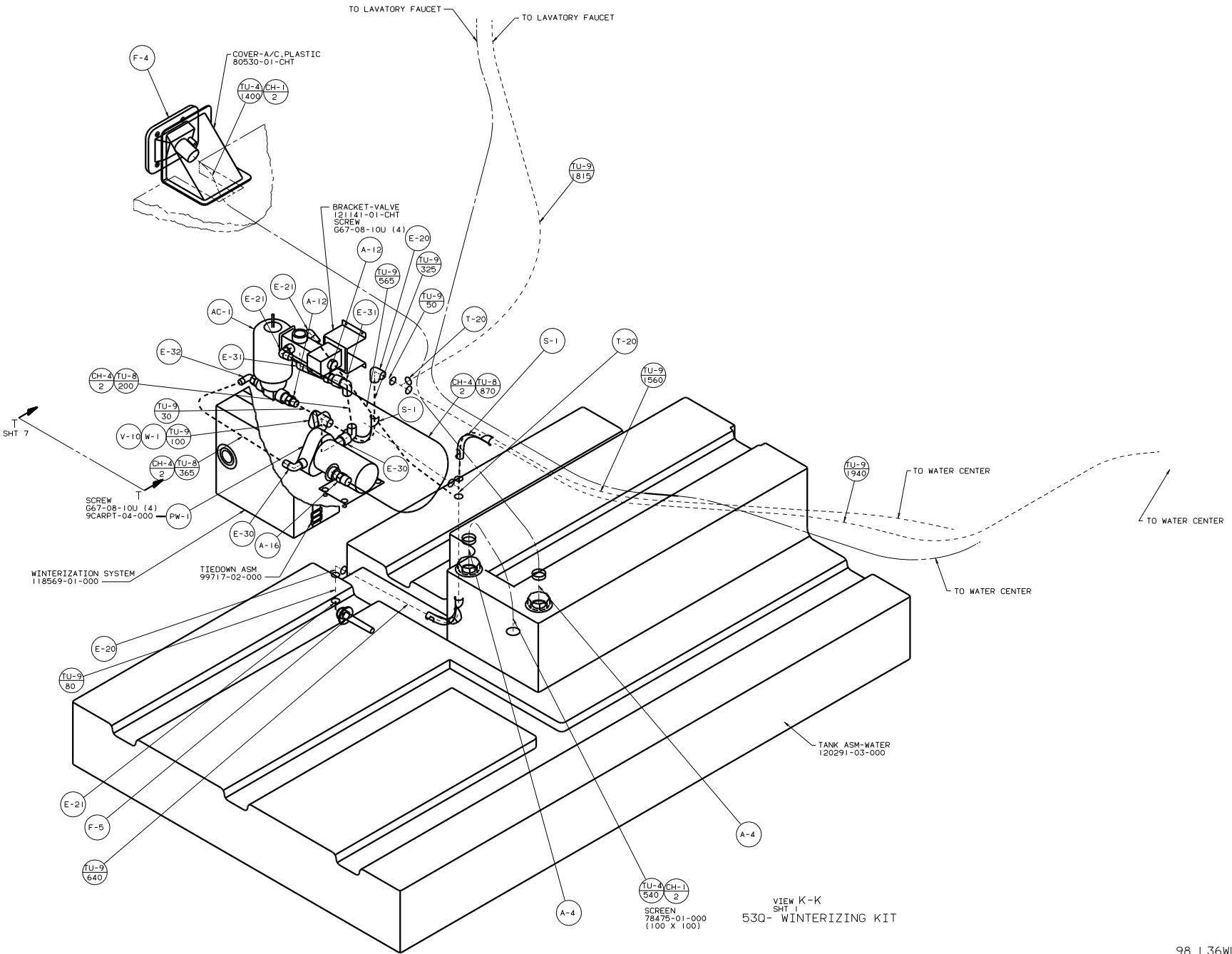




VIEW K-K
SHT 1

98 L36WL PUSHER

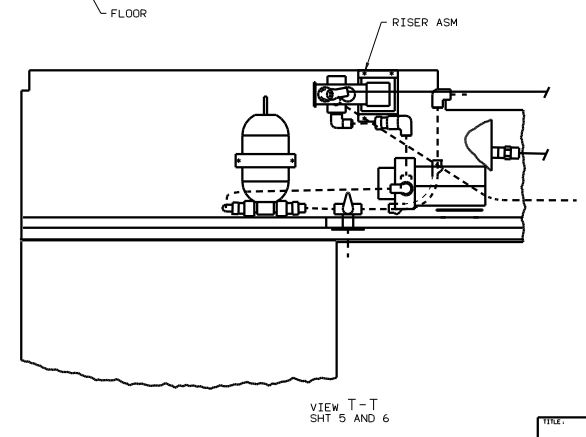
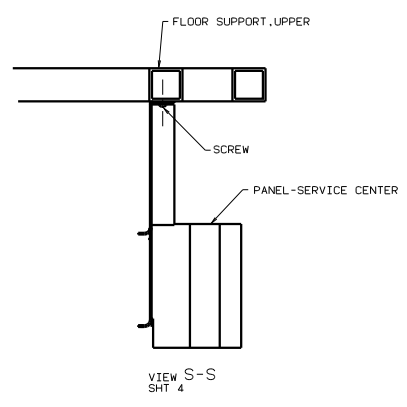
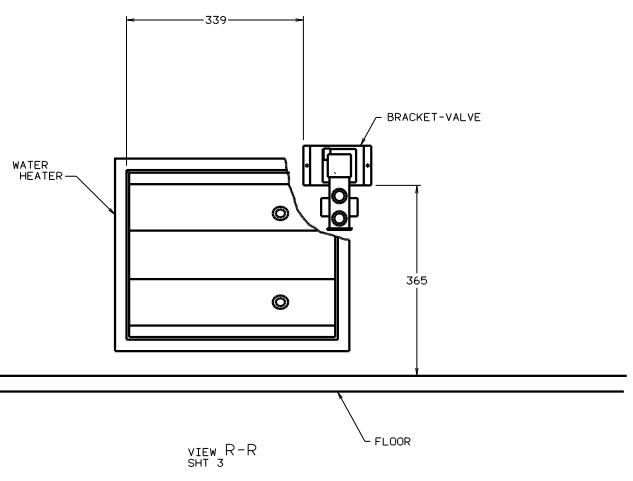
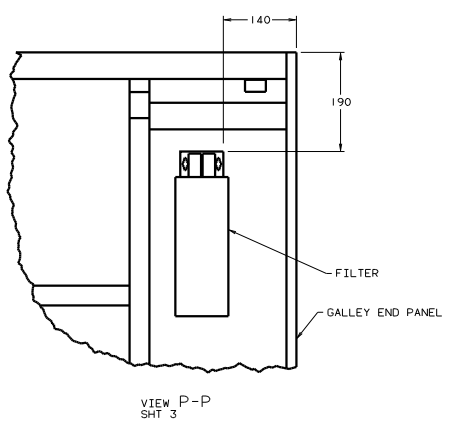
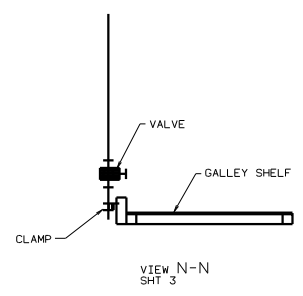
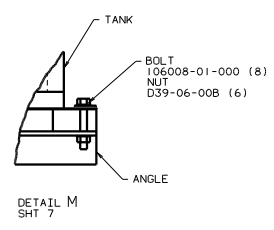
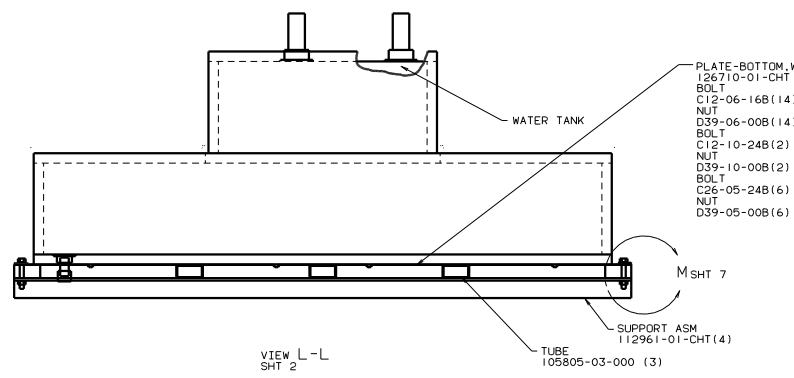
TITLE		125997	
WATER SYSTEM INSTL			
30 THE SCALE SHOWN		1:1	
SHEET 5 OF 7		125997	



VIEW K-K
SHT 1
53Q- WINTERIZING KIT

98 L36WL PUSHER

TITLE		WATER SYSTEM INSTL	
NO	REV	DATE	BY
1	1		
SHEET 6 OF 7		125997	



98 L36WL PUSHER

TITLE: WATER SYSTEM INSTL	
NO. IN SCALE DRAWING	REV
SHEET 7 OF 7	16
	125997