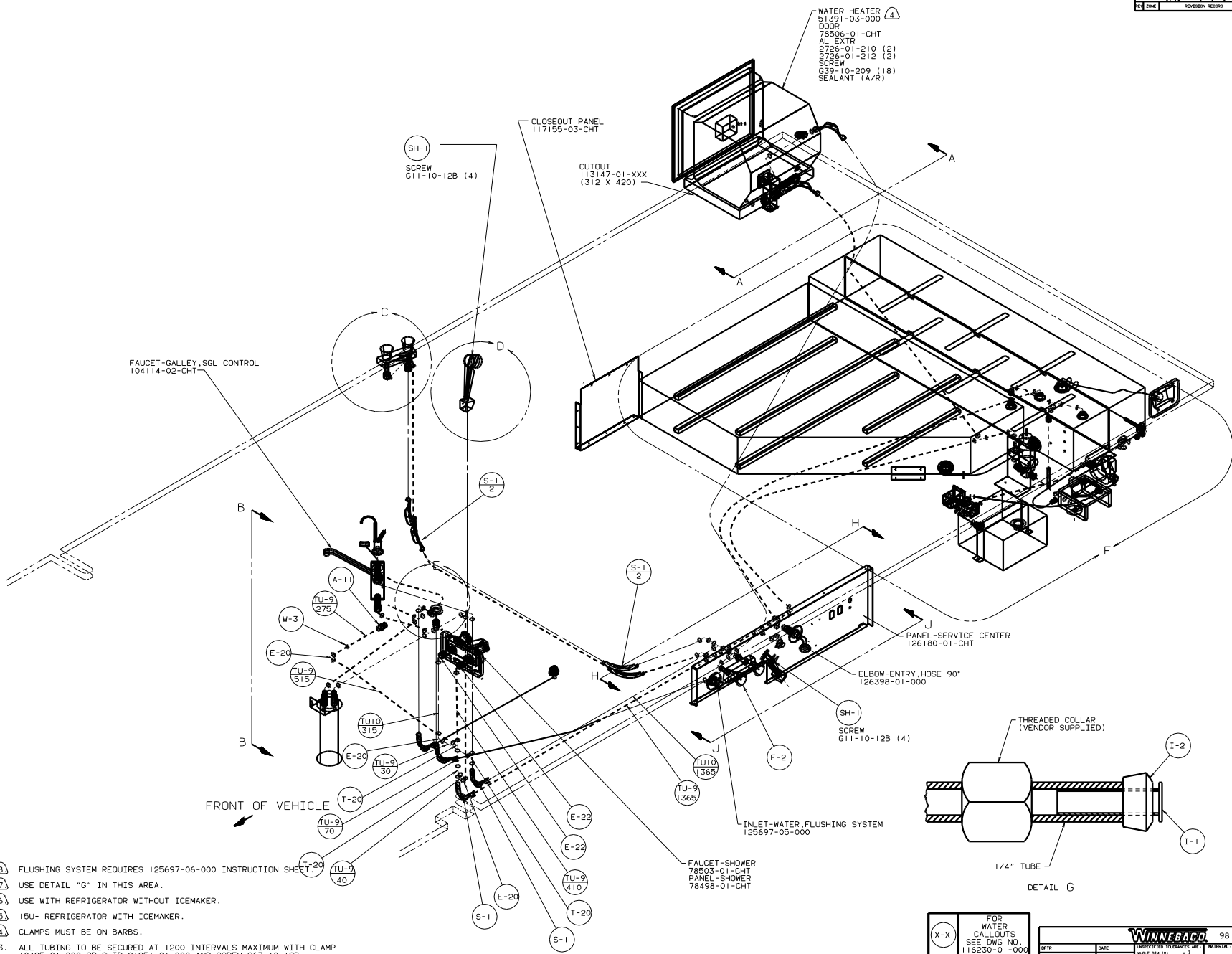


- (2) CSA ONLY.
 - (1) US ONLY.
 - (10) SECURE VENT TUBES TO FLOOR WITH BRACKET.
 - (9) VENT PIPE MUST PROJECT 51 MM MINIMUM AND 63.5 MM MAXIMUM ABOVE ROOF FOR PROPER FIT AND FUNCTION.
8. SEE DRAWING 61607-01-000 FOR INSTALLATION OF GROMMETS.
 7. SEAL ALL AROUND SHOWER WITH SILICONE.
 6. FOR CANADIAN UNITS EACH HOLDING TANK SHALL HAVE A CSA APPROVAL STAMPED NEAR THE IAMPO APPROVAL.
 5. EXPOSED PIPE ABOVE ROOF TO BE PAINTED WITH 37163-01-000.
 4. ALL EXTERIOR OPENINGS AROUND PIPE TO BE SEALED WITH 11074-01-000.
 3. ALL PIPE AND FITTINGS TO BE ASSEMBLED WITH SOLVENT 4020-01-000.
 2. SLOPE OF TRAP ARM MUST BE 6 PER 305.
 1. SLOPE OF HORIZONTAL PIPING TO BE 6 PER 305 MINIMUM.

NOTES:

FOR DRAINAGE CALLOUTS SEE DWG NO. 116229-01-000

L35 WA		TITLE: DRAINAGE SYSTEM INSTL	
REV #	SCALE	NO. OF SHEETS	TOTAL SHEETS
1	1:1	1	1
SHEET 1 OF 2		DRAWING NO. 126233	

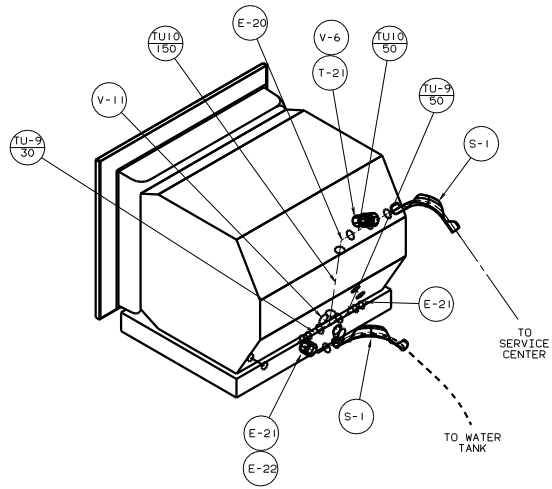


- (A) FLUSHING SYSTEM REQUIRES 125697-06-000 INSTRUCTION SHEET
 (B) USE DETAIL "G" IN THIS AREA.
 (C) USE WITH REFRIGERATOR WITHOUT ICEMAKER.
 (D) 15U- REFRIGERATOR WITH ICEMAKER.
 (E) CLAMPS MUST BE ON BARBS.
 3. ALL TUBING TO BE SECURED AT 1200 INTERVALS MAXIMUM WITH CLAMP 10495-01-000 OR CLIP 91951-01-000 AND SCREW G67-10-12B.
 2. TUBING TO BE INSTALLED WITH SUFFICIENT SLOPE TO PROVIDE DRAINAGE TO NEAREST VALVE.
 1. PLASTIC FITTINGS TO BE SEALED WITH SEALANT 84456-01000.

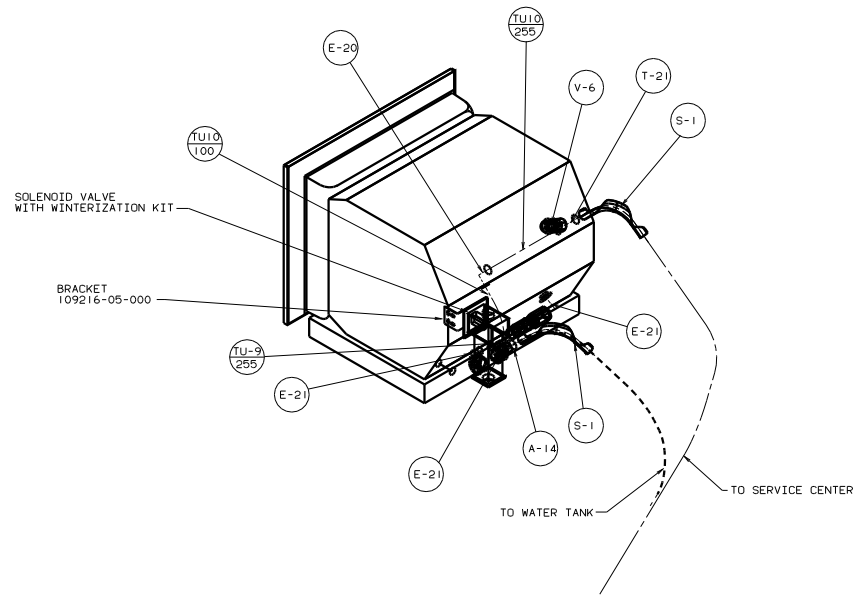
(X-X) FOR WATER CALLOUTS SEE DWG NO 116230-01-000

LEGEND	
HOT	*****
COLD	*****

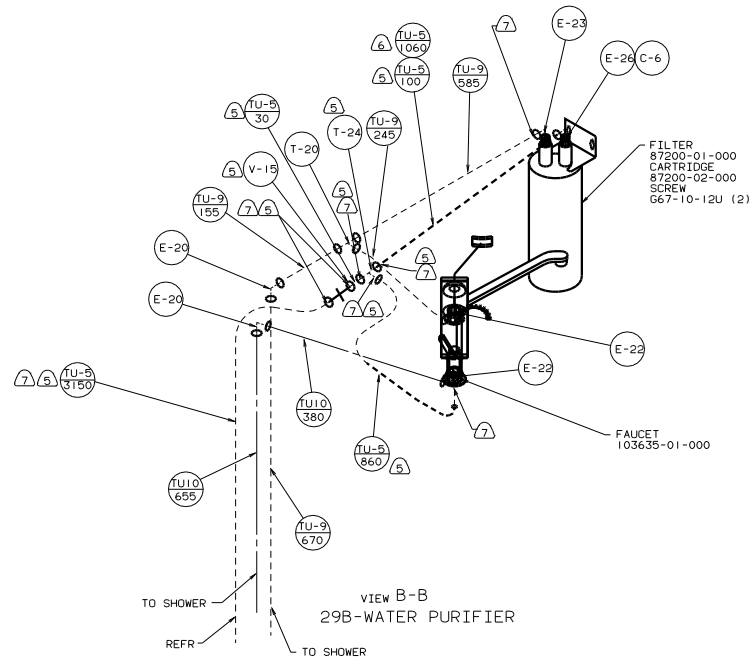
		98 L35WA
DATE	UNDESIGNED TOLERANCES ARE:	MATERIAL
DATE	ONE-PLACE (1X.01)	
DATE	TWO-PLACE (1X.005)	
DATE	THREE-PLACE (1X.001)	
DATE	FOUR-PLACE (1X.0005)	
DATE	FIVE-PLACE (1X.0001)	
DATE	SIX-PLACE (1X.00005)	
DATE	SEVEN-PLACE (1X.00001)	
DATE	EIGHT-PLACE (1X.000005)	
DATE	NINE-PLACE (1X.000001)	
DATE	TEN-PLACE (1X.0000005)	
DATE	ELEVEN-PLACE (1X.0000001)	
DATE	TWELVE-PLACE (1X.00000005)	
DATE	THIRTEEN-PLACE (1X.00000001)	
DATE	FOURTEEN-PLACE (1X.000000005)	
DATE	FIFTEEN-PLACE (1X.000000001)	
DATE	SIXTEEN-PLACE (1X.0000000005)	
DATE	SEVENTEEN-PLACE (1X.0000000001)	
DATE	EIGHTEEN-PLACE (1X.00000000005)	
DATE	NINETEEN-PLACE (1X.00000000001)	
DATE	TWENTY-PLACE (1X.000000000005)	
DATE	TWENTY-ONE-PLACE (1X.000000000001)	
DATE	TWENTY-TWO-PLACE (1X.0000000000005)	
DATE	TWENTY-THREE-PLACE (1X.0000000000001)	
DATE	TWENTY-FOUR-PLACE (1X.00000000000005)	
DATE	TWENTY-FIVE-PLACE (1X.00000000000001)	
DATE	TWENTY-SIX-PLACE (1X.000000000000005)	
DATE	TWENTY-SEVEN-PLACE (1X.000000000000001)	
DATE	TWENTY-EIGHT-PLACE (1X.0000000000000005)	
DATE	TWENTY-NINE-PLACE (1X.0000000000000001)	
DATE	THIRTY-PLACE (1X.00000000000000005)	
DATE	THIRTY-ONE-PLACE (1X.00000000000000001)	
DATE	THIRTY-TWO-PLACE (1X.000000000000000005)	
DATE	THIRTY-THREE-PLACE (1X.000000000000000001)	
DATE	THIRTY-FOUR-PLACE (1X.0000000000000000005)	
DATE	THIRTY-FIVE-PLACE (1X.0000000000000000001)	
DATE	THIRTY-SIX-PLACE (1X.00000000000000000005)	
DATE	THIRTY-SEVEN-PLACE (1X.00000000000000000001)	
DATE	THIRTY-EIGHT-PLACE (1X.000000000000000000005)	
DATE	THIRTY-NINE-PLACE (1X.000000000000000000001)	
DATE	FOURTY-PLACE (1X.0000000000000000000005)	
DATE	FOURTY-ONE-PLACE (1X.0000000000000000000001)	
DATE	FOURTY-TWO-PLACE (1X.00000000000000000000005)	
DATE	FOURTY-THREE-PLACE (1X.00000000000000000000001)	
DATE	FOURTY-FOUR-PLACE (1X.000000000000000000000005)	
DATE	FOURTY-FIVE-PLACE (1X.000000000000000000000001)	
DATE	FOURTY-SIX-PLACE (1X.0000000000000000000000005)	
DATE	FOURTY-SEVEN-PLACE (1X.0000000000000000000000001)	
DATE	FOURTY-EIGHT-PLACE (1X.00000000000000000000000005)	
DATE	FOURTY-NINE-PLACE (1X.00000000000000000000000001)	
DATE	FIFTY-PLACE (1X.000000000000000000000000005)	
DATE	FIFTY-ONE-PLACE (1X.000000000000000000000000001)	
DATE	FIFTY-TWO-PLACE (1X.0000000000000000000000000005)	
DATE	FIFTY-THREE-PLACE (1X.0000000000000000000000000001)	
DATE	FIFTY-FOUR-PLACE (1X.00000000000000000000000000005)	
DATE	FIFTY-FIVE-PLACE (1X.00000000000000000000000000001)	
DATE	FIFTY-SIX-PLACE (1X.000000000000000000000000000005)	
DATE	FIFTY-SEVEN-PLACE (1X.000000000000000000000000000001)	
DATE	FIFTY-EIGHT-PLACE (1X.0000000000000000000000000000005)	
DATE	FIFTY-NINE-PLACE (1X.0000000000000000000000000000001)	
DATE	SIXTY-PLACE (1X.00000000000000000000000000000005)	
DATE	SIXTY-ONE-PLACE (1X.00000000000000000000000000000001)	
DATE	SIXTY-TWO-PLACE (1X.000000000000000000000000000000005)	
DATE	SIXTY-THREE-PLACE (1X.000000000000000000000000000000001)	
DATE	SIXTY-FOUR-PLACE (1X.0000000000000000000000000000000005)	
DATE	SIXTY-FIVE-PLACE (1X.0000000000000000000000000000000001)	
DATE	SIXTY-SIX-PLACE (1X.00000000000000000000000000000000005)	
DATE	SIXTY-SEVEN-PLACE (1X.00000000000000000000000000000000001)	
DATE	SIXTY-EIGHT-PLACE (1X.000000000000000000000000000000000005)	
DATE	SIXTY-NINE-PLACE (1X.000000000000000000000000000000000001)	
DATE	SEVENTY-PLACE (1X.0000000000000000000000000000000000005)	
DATE	SEVENTY-ONE-PLACE (1X.0000000000000000000000000000000000001)	
DATE	SEVENTY-TWO-PLACE (1X.00000000000000000000000000000000000005)	
DATE	SEVENTY-THREE-PLACE (1X.00000000000000000000000000000000000001)	
DATE	SEVENTY-FOUR-PLACE (1X.000000000000000000000000000000000000005)	
DATE	SEVENTY-FIVE-PLACE (1X.000000000000000000000000000000000000001)	
DATE	SEVENTY-SIX-PLACE (1X.0000000000000000000000000000000000000005)	
DATE	SEVENTY-SEVEN-PLACE (1X.0000000000000000000000000000000000000001)	
DATE	SEVENTY-EIGHT-PLACE (1X.005)	
DATE	SEVENTY-NINE-PLACE (1X.001)	
DATE	EIGHTY-PLACE (1X.0005)	
DATE	EIGHTY-ONE-PLACE (1X.0001)	
DATE	EIGHTY-TWO-PLACE (1X.005)	
DATE	EIGHTY-THREE-PLACE (1X.001)	
DATE	EIGHTY-FOUR-PLACE (1X.0005)	
DATE	EIGHTY-FIVE-PLACE (1X.0001)	
DATE	EIGHTY-SIX-PLACE (1X.005)	
DATE	EIGHTY-SEVEN-PLACE (1X.001)	
DATE	EIGHTY-EIGHT-PLACE (1X.0005)	
DATE	EIGHTY-NINE-PLACE (1X.0001)	
DATE	NINETY-PLACE (1X.005)	
DATE	NINETY-ONE-PLACE (1X.001)	
DATE	NINETY-TWO-PLACE (1X.0005)	
DATE	NINETY-THREE-PLACE (1X.0001)	
DATE	NINETY-FOUR-PLACE (1X.005)	
DATE	NINETY-FIVE-PLACE (1X.001)	
DATE	NINETY-SIX-PLACE (1X.0005)	
DATE	NINETY-SEVEN-PLACE (1X.0001)	
DATE	NINETY-EIGHT-PLACE (1X.005)	
DATE	NINETY-NINE-PLACE (1X.001)	
DATE	HUNDRED-PLACE (1X.0005)	



53J-WATER HEATER BYPASS VALVE

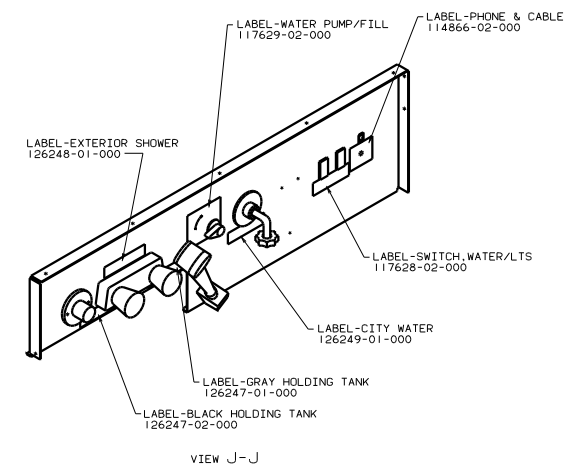
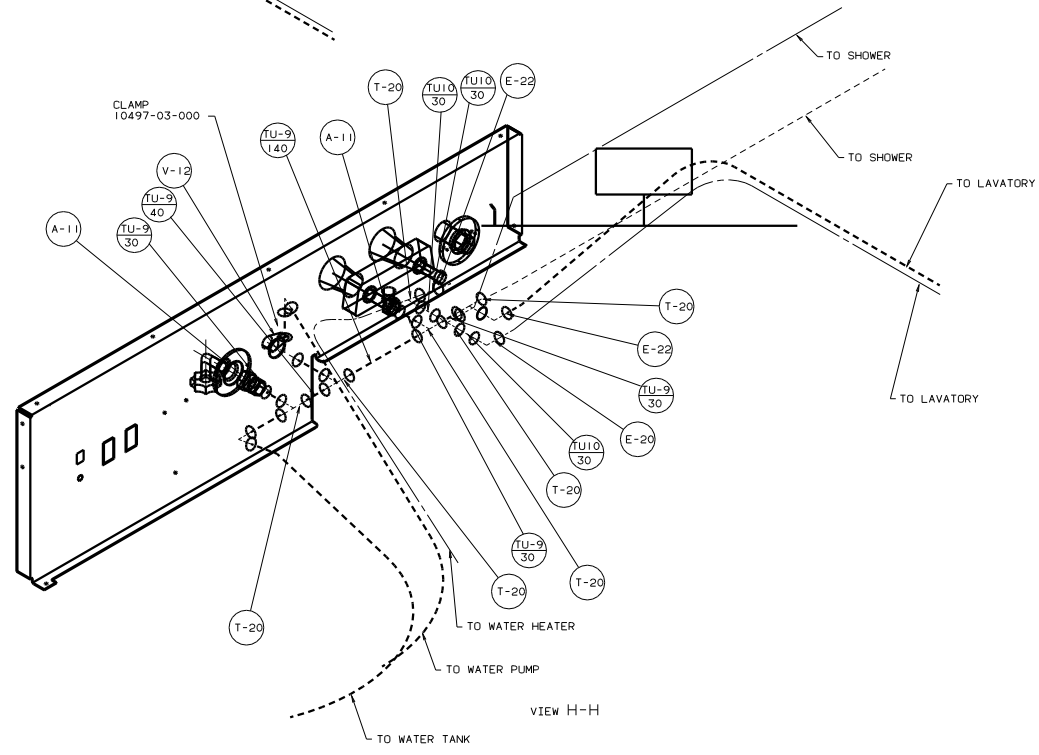
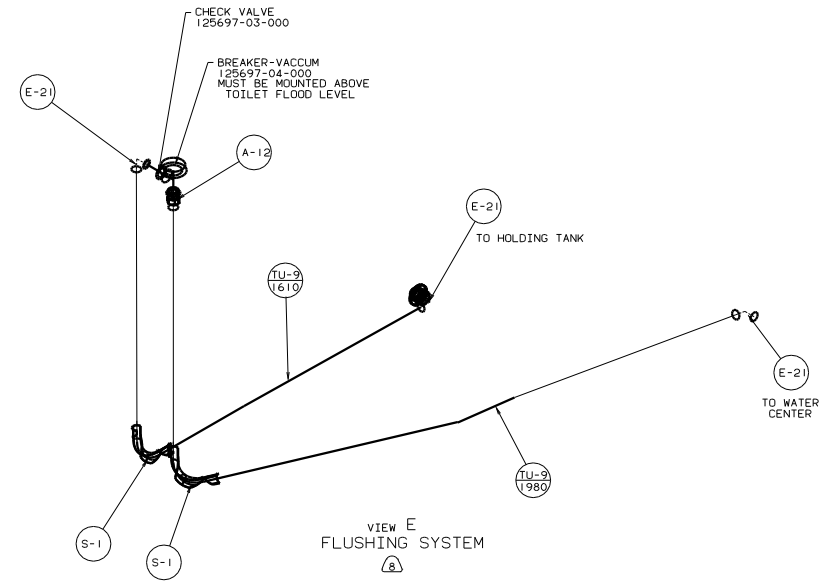
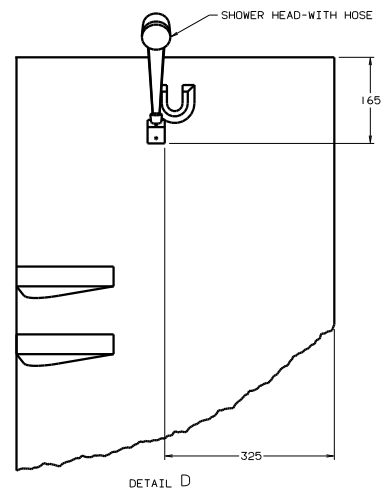
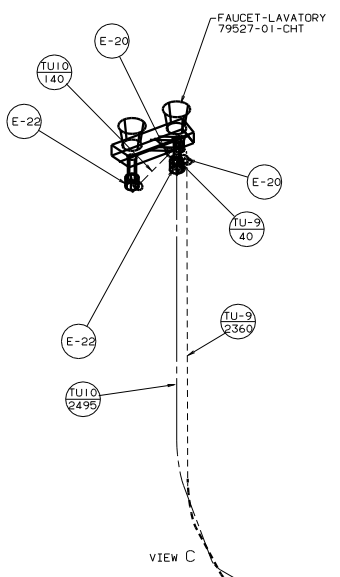


VIEW A-A
53Q-WATER HEATER AUTOMATIC WINTER

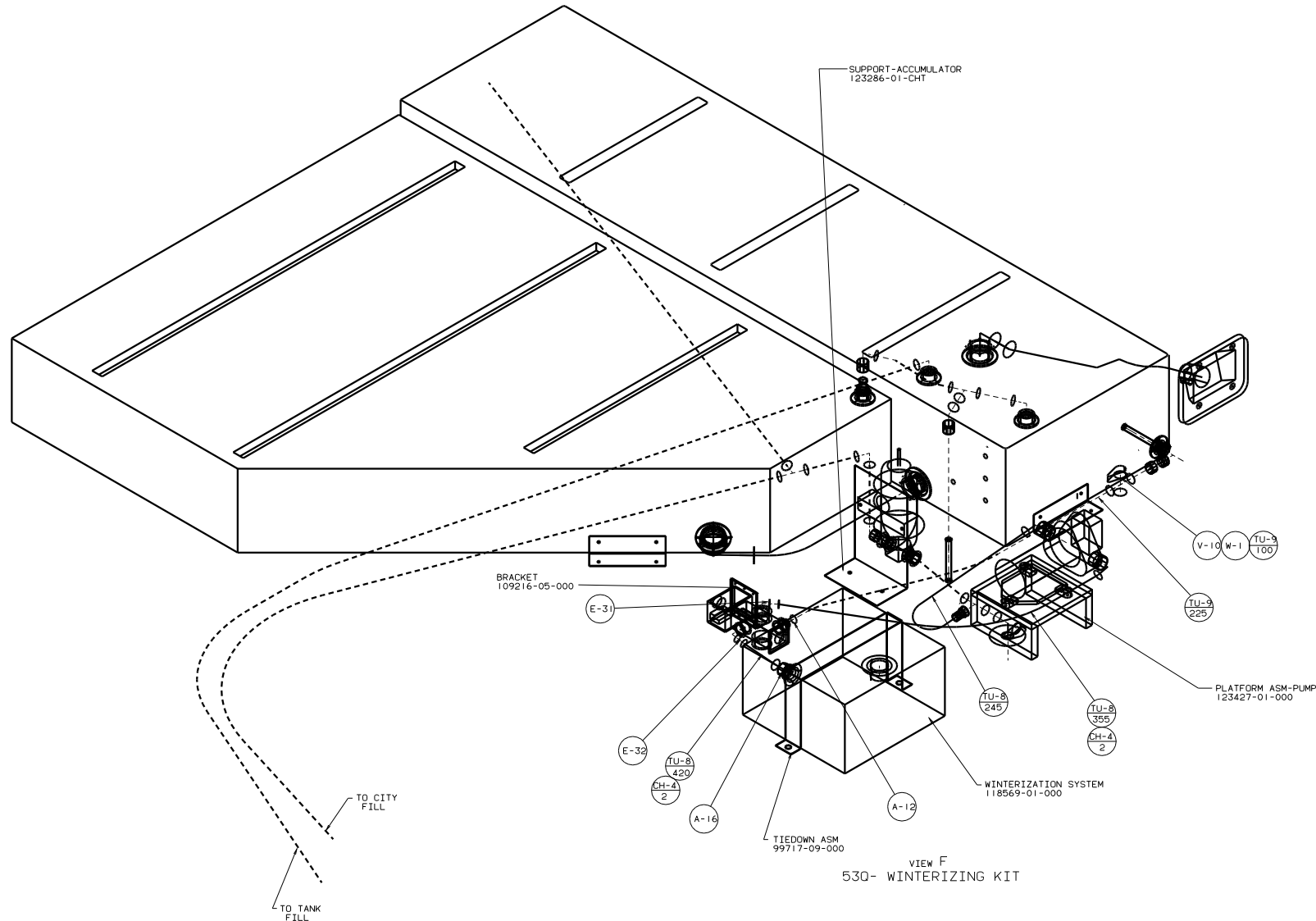


VIEW B-B
29B-WATER PURIFIER

TITLE		WATER SYSTEM INSTL	
30	NO	1	1
SHEET 2 OF 5		REV	126400



TITLE		WATER SYSTEM INSTL	
30	NO SCALE	1/8"	1/8"
SHEET 3	OF 5	FIG	NO
		126400	



VIEW F
530- WINTERIZING KIT

TITLE: WATER SYSTEM INSTL	
NO. OF SHEETS: 5	SHEET NO: 5
REV: 1	DATE: 126400