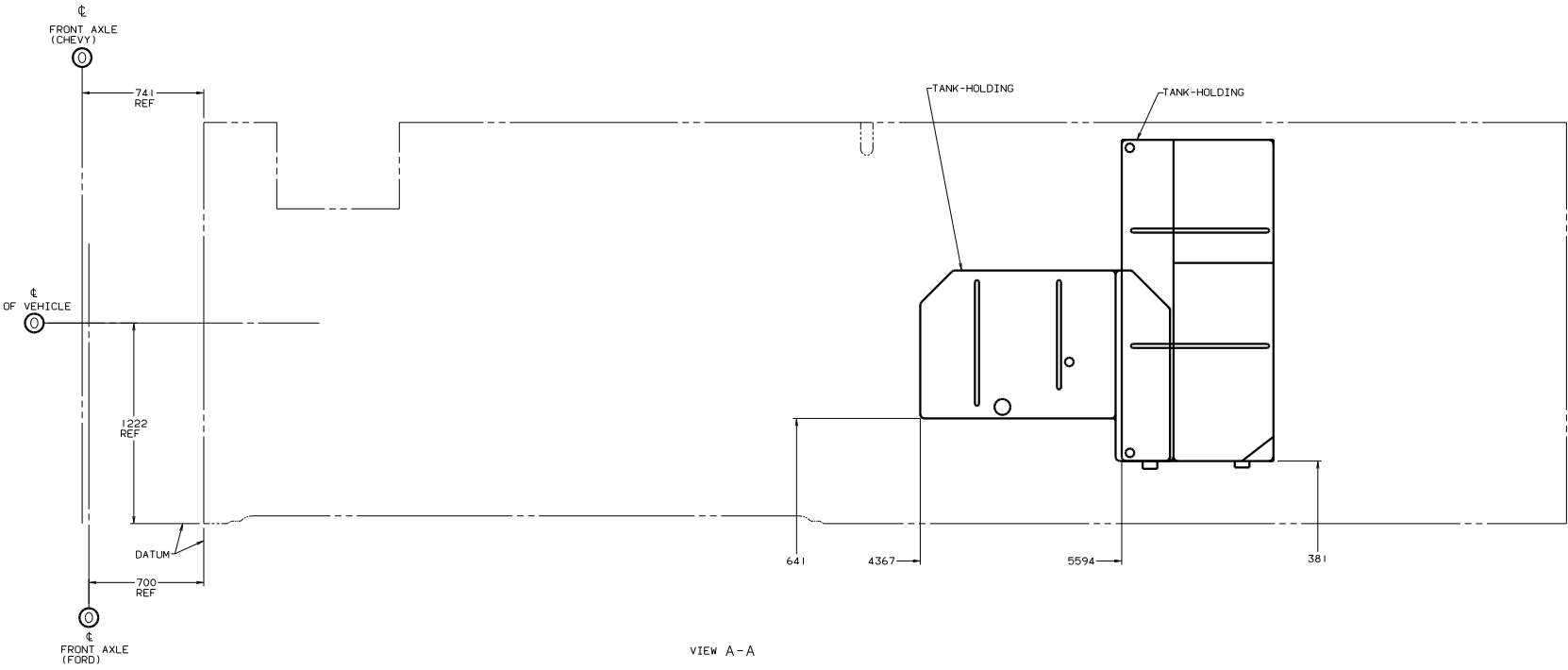


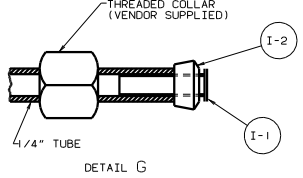
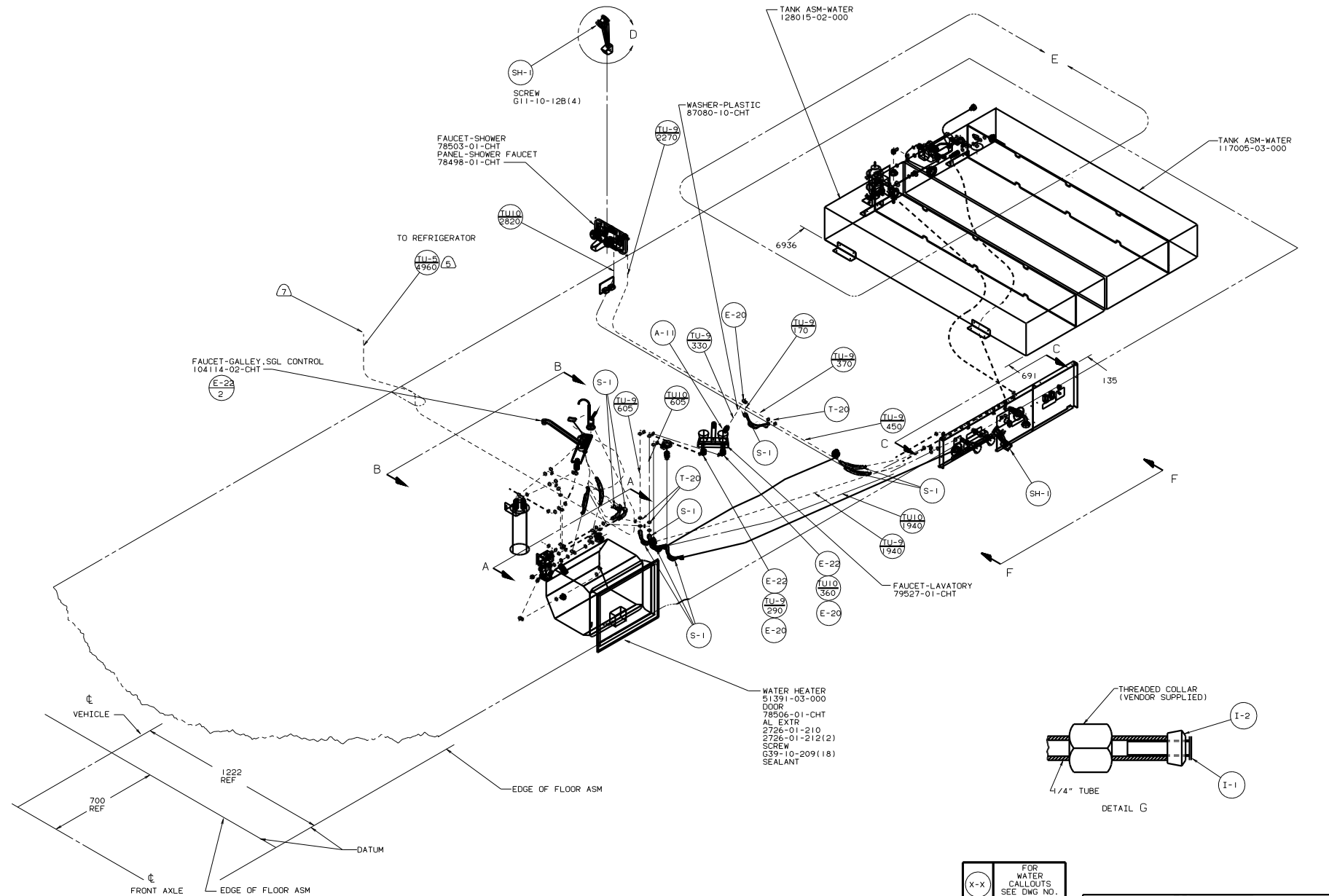
FOR DRAINAGE CALLOUTS SEE DWG NO. 116229-01-000

WINNEBAGO 98 L34WY

QTY	DATE	UNDESIGNED TOLERANCES ARE	INTERVAL:
CHNG	DATE	ONE-PLACE (H, L, I)	
DATE	DATE	TWO-PLACE (H, L, I)	
DATE	DATE	THREE-PLACE (H, L, I)	
DATE	DATE	FOUR-PLACE (H, L, I)	
DATE	DATE	FIVE-PLACE (H, L, I)	
DATE	DATE	SIX-PLACE (H, L, I)	
DATE	DATE	SEVEN-PLACE (H, L, I)	
DATE	DATE	EIGHT-PLACE (H, L, I)	
DATE	DATE	NINE-PLACE (H, L, I)	
DATE	DATE	TEN-PLACE (H, L, I)	
DATE	DATE	ELEVEN-PLACE (H, L, I)	
DATE	DATE	TWELVE-PLACE (H, L, I)	
DATE	DATE	THIRTY-PLACE (H, L, I)	
DATE	DATE	FOURTY-PLACE (H, L, I)	
DATE	DATE	FIFTY-PLACE (H, L, I)	
DATE	DATE	SIXTY-PLACE (H, L, I)	
DATE	DATE	SEVENTY-PLACE (H, L, I)	
DATE	DATE	EIGHTY-PLACE (H, L, I)	
DATE	DATE	NINETY-PLACE (H, L, I)	
DATE	DATE	HUNDRED-PLACE (H, L, I)	

LIMIT L34WU8 TITLE: DRAINAGE SYSTEM INSTL
 10X 1/8" SCALE: NONE TO DIM SCALES: NONE SHEET 1 OF 2 I.E. NO. 127661
 ALL DIMENSIONS ARE IN MILLIMETERS REF: 125367 F 1





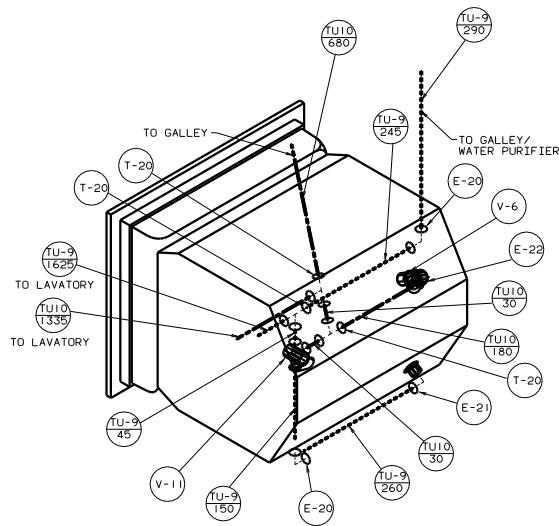
- NOTES:
1. PLASTIC FITTINGS TO BE SEALED WITH SEALANT 84456-01-000.
 2. TUBING TO BE INSTALLED WITH SUFFICIENT SLOPE TO PROVIDE DRAINAGE TO NEAREST VALVE.
 3. ALL TUBING TO BE SECURED AT 1200 INTERVALS MAXIMUM WITH CLAMP 10495-01-000 OR CLIP 91951-01-00 AND SCREW G67-10-12B.
- (A) USE DETAIL "G" IN THIS AREA.
 (B) USE WITH REFRIGERATOR WITHOUT ICEMAKER.
 (C) ISU- REFRIGERATOR WITH ICEMAKER.
 (D) CLAMPS MUST BE ON BARBS.

FOR WATER CALLOUTS SEE DWG NO. 116230-01-000

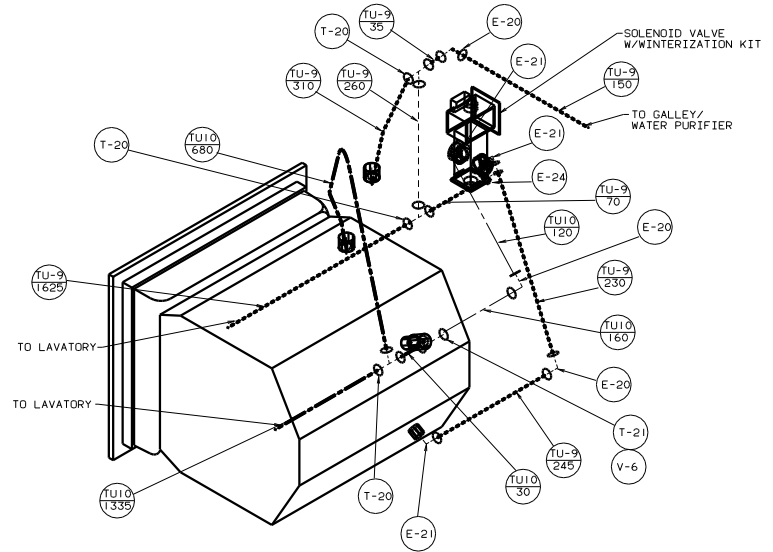
LEGEND	
HOT	●●●●●●●●
COLD	●●●●●●●●

		98 L34WY
QTY	DATE	UNSPECIFIED TOLERANCES ARE:
DRWD	DATE	WHOLE DIM (IN) .1
CHKD	DATE	ONE-PLACE (IN, INI) .1
DATE	DATE	TWO-PLACE (IN, INI) .01
DATE	DATE	THREE-PLACE (IN, INI) .005
DATE	DATE	FOUR-PLACE (IN, INI) .001
DATE	DATE	FIVE-PLACE (IN, INI) .0005
DATE	DATE	SIX-PLACE (IN, INI) .0002
DATE	DATE	SEVEN-PLACE (IN, INI) .0001
DATE	DATE	EIGHT-PLACE (IN, INI) .00005
DATE	DATE	NINE-PLACE (IN, INI) .00002
DATE	DATE	TEN-PLACE (IN, INI) .00001
DATE	DATE	UNSPECIFIED DIMENSIONS ARE:
DATE	DATE	WHOLE DIM (IN) .1
DATE	DATE	ONE-PLACE (IN, INI) .1
DATE	DATE	TWO-PLACE (IN, INI) .01
DATE	DATE	THREE-PLACE (IN, INI) .005
DATE	DATE	FOUR-PLACE (IN, INI) .001
DATE	DATE	FIVE-PLACE (IN, INI) .0005
DATE	DATE	SIX-PLACE (IN, INI) .0002
DATE	DATE	SEVEN-PLACE (IN, INI) .0001
DATE	DATE	EIGHT-PLACE (IN, INI) .00005
DATE	DATE	NINE-PLACE (IN, INI) .00002
DATE	DATE	TEN-PLACE (IN, INI) .00001
DATE	DATE	UNSPECIFIED DIMENSIONS ARE:
DATE	DATE	WHOLE DIM (IN) .1
DATE	DATE	ONE-PLACE (IN, INI) .1
DATE	DATE	TWO-PLACE (IN, INI) .01
DATE	DATE	THREE-PLACE (IN, INI) .005
DATE	DATE	FOUR-PLACE (IN, INI) .001
DATE	DATE	FIVE-PLACE (IN, INI) .0005
DATE	DATE	SIX-PLACE (IN, INI) .0002
DATE	DATE	SEVEN-PLACE (IN, INI) .0001
DATE	DATE	EIGHT-PLACE (IN, INI) .00005
DATE	DATE	NINE-PLACE (IN, INI) .00002
DATE	DATE	TEN-PLACE (IN, INI) .00001
DATE	DATE	UNSPECIFIED DIMENSIONS ARE:
DATE	DATE	WHOLE DIM (IN) .1
DATE	DATE	ONE-PLACE (IN, INI) .1
DATE	DATE	TWO-PLACE (IN, INI) .01
DATE	DATE	THREE-PLACE (IN, INI) .005
DATE	DATE	FOUR-PLACE (IN, INI) .001
DATE	DATE	FIVE-PLACE (IN, INI) .0005
DATE	DATE	SIX-PLACE (IN, INI) .0002
DATE	DATE	SEVEN-PLACE (IN, INI) .0001
DATE	DATE	EIGHT-PLACE (IN, INI) .00005
DATE	DATE	NINE-PLACE (IN, INI) .00002
DATE	DATE	TEN-PLACE (IN, INI) .00001

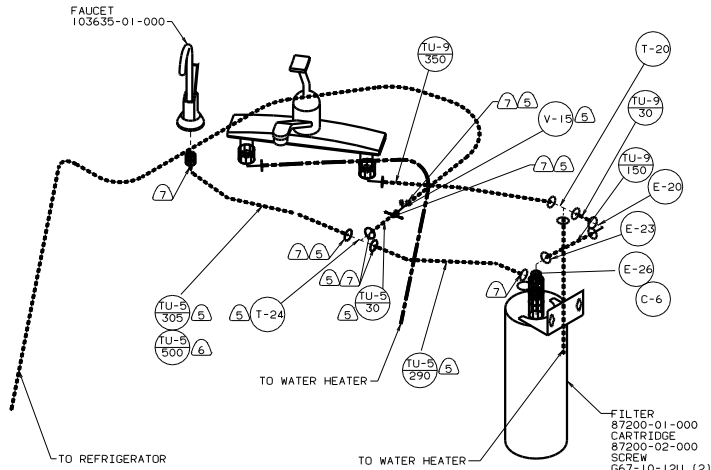
L34WU WATER SYSTEM INSTL
 127662
 REF: 125371



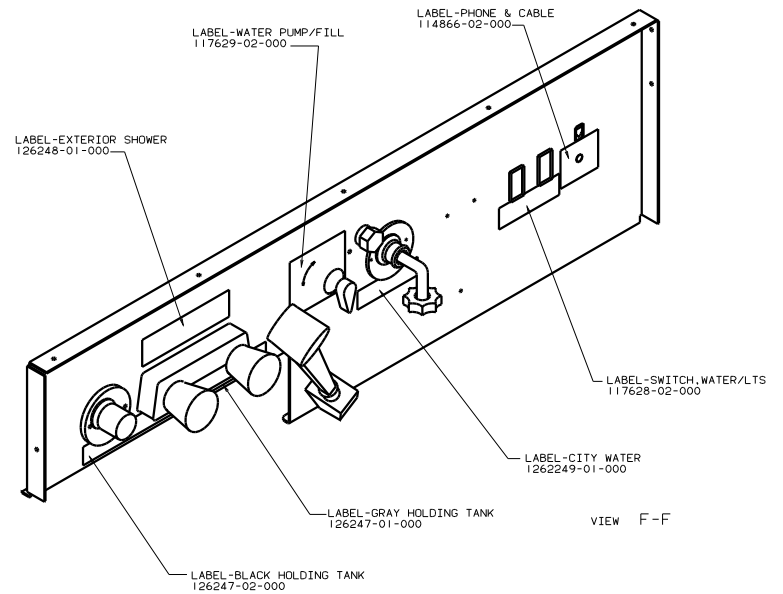
VIEW A-A
53J WATER HEATER BY-PASS VALVE

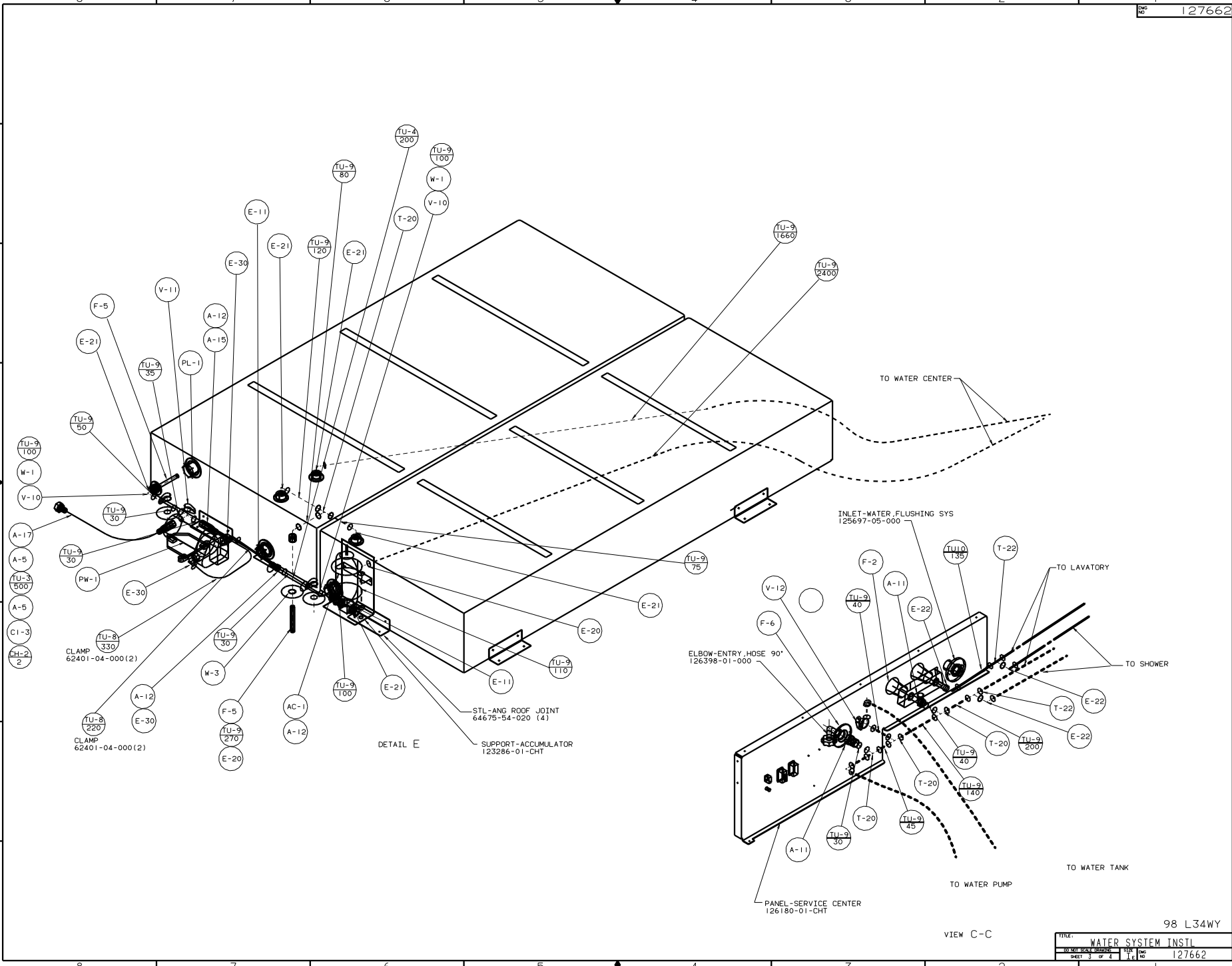


VIEW A-A
530 WINTERIZING KIT



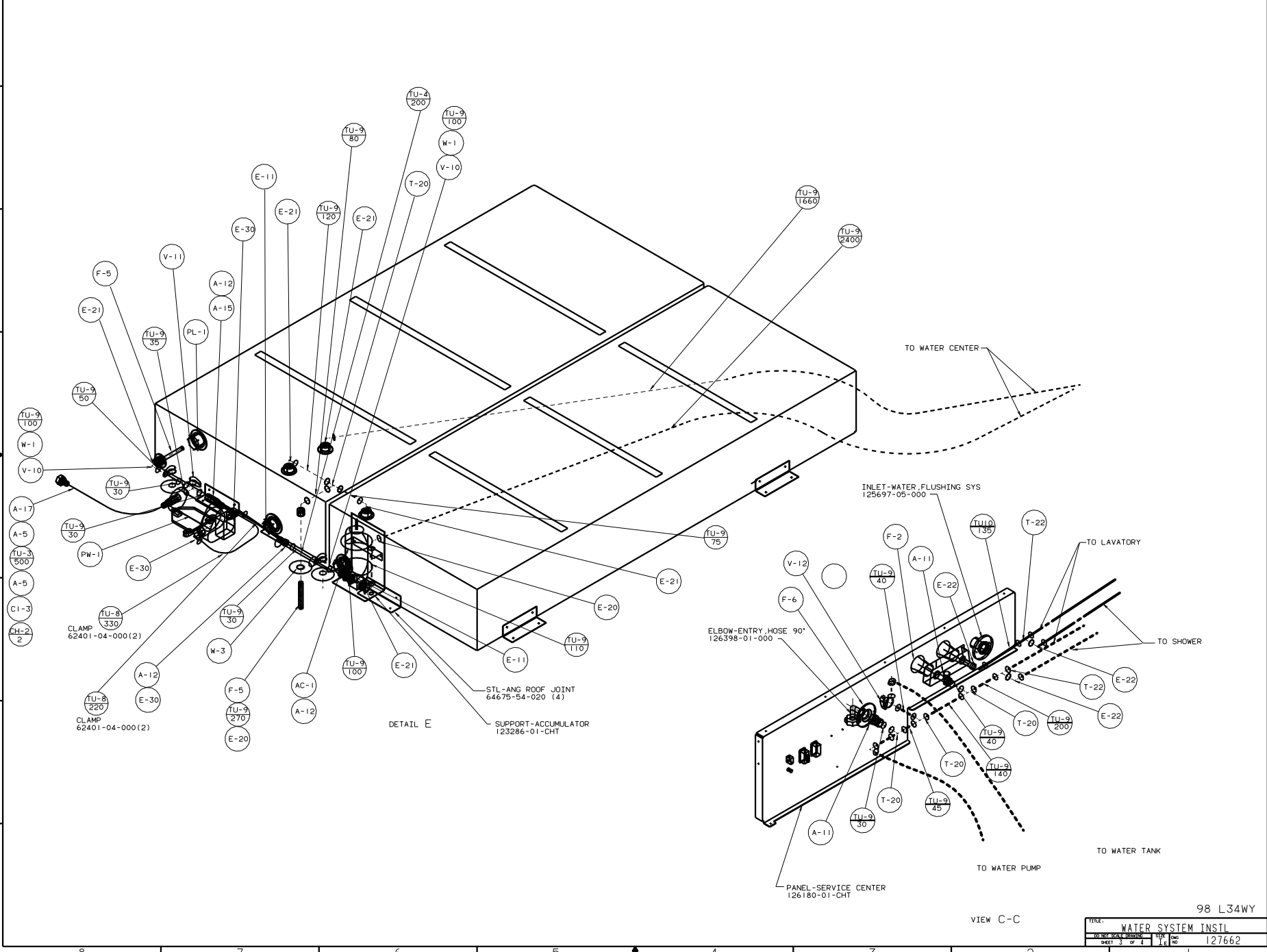
VIEW B-B
29B-WATER PURIFIER

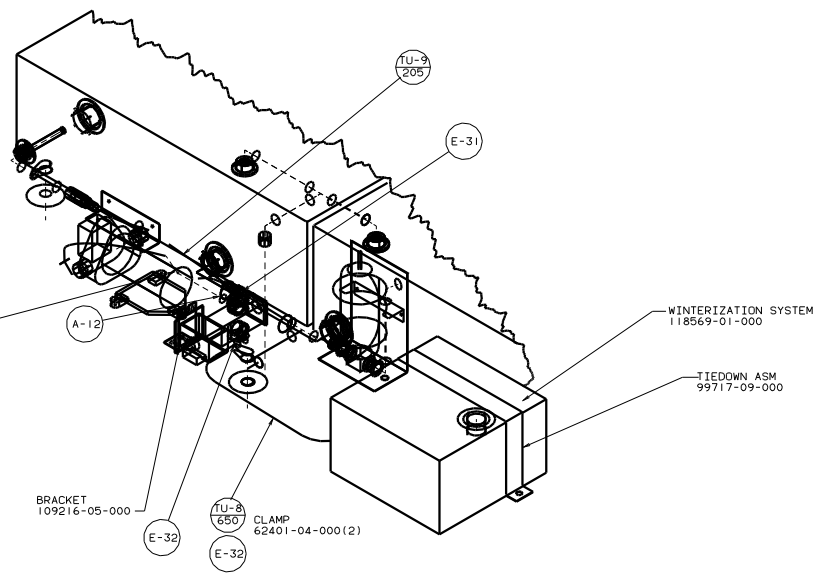




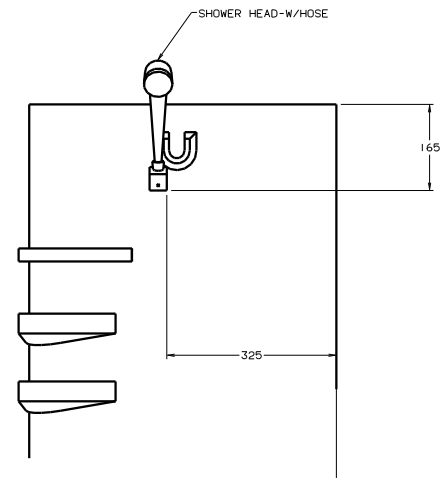
8 7 6 5 4 3 2 1

H G F E D C B A

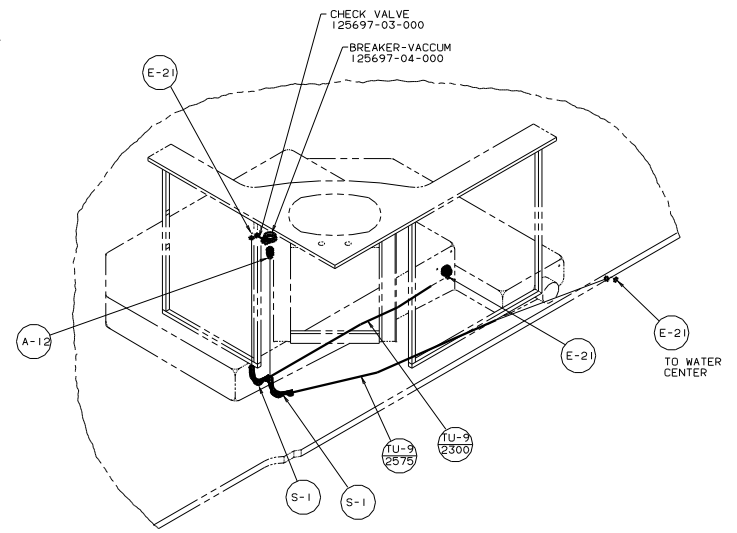




DETAIL E
530-WINTERIZING KIT



DETAIL D



FLUSHING SYSTEM

TITLE: WATER SYSTEM INSTL	
NO. OF SHEETS: 4	SHEET NO. 4 OF 4
REV. NO. 1	REV. DATE
127662	