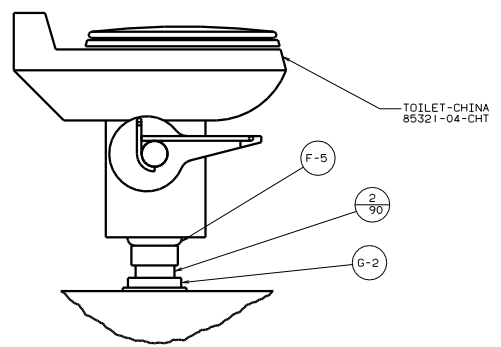
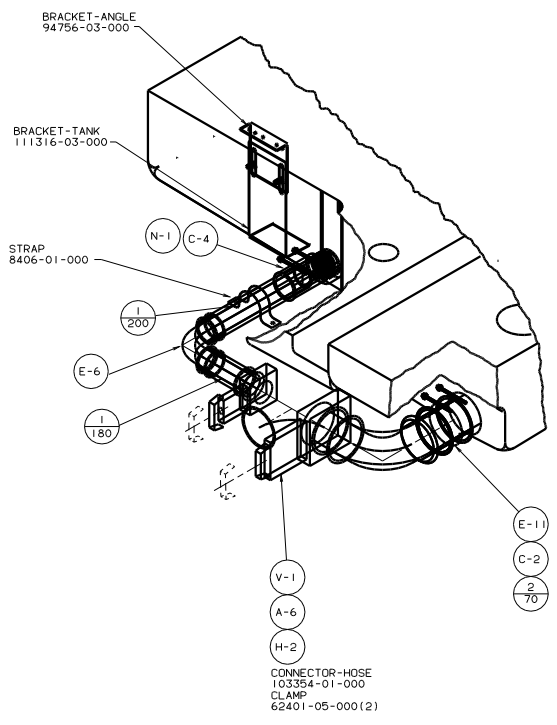


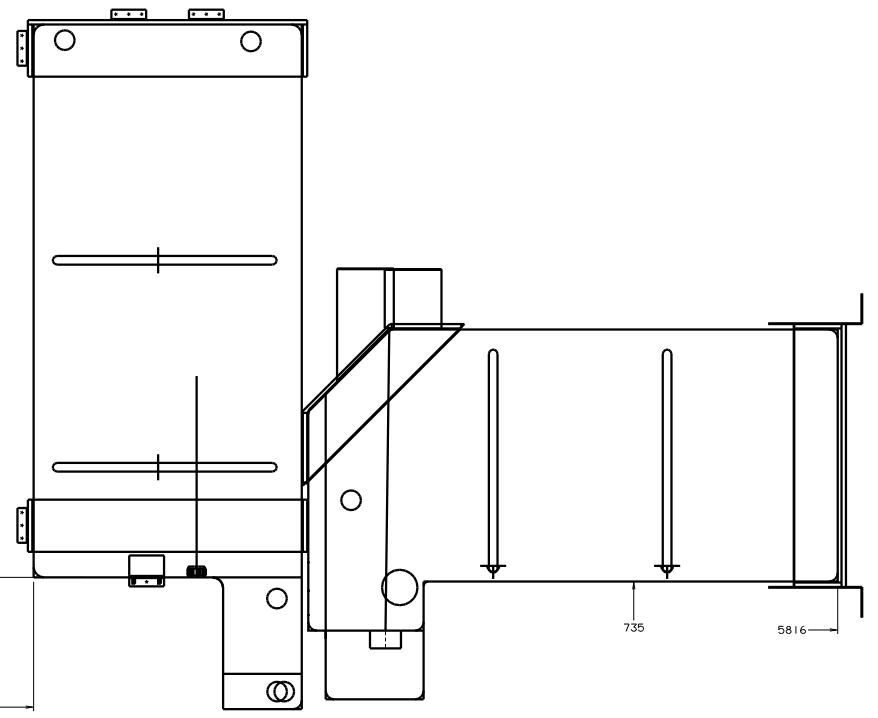
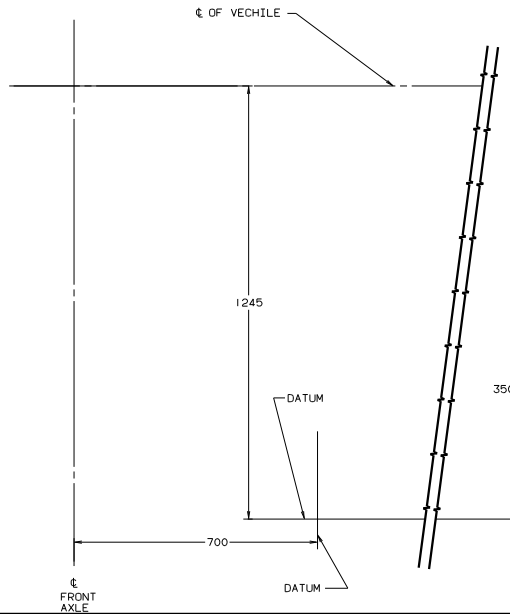
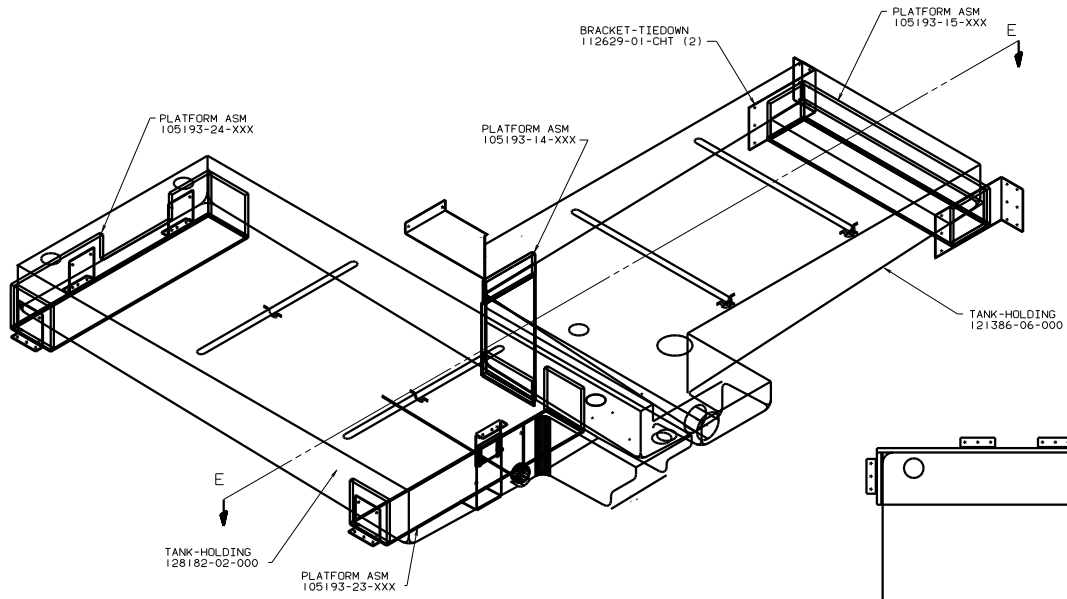
VIEW A-A



VIEW B-B



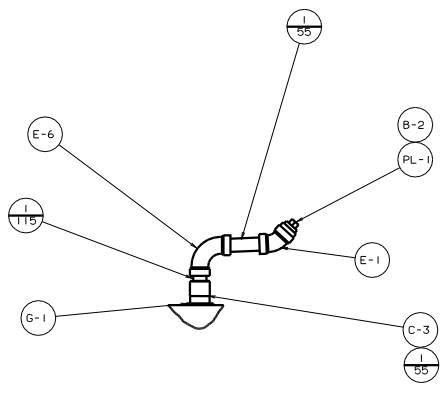
DETAIL C



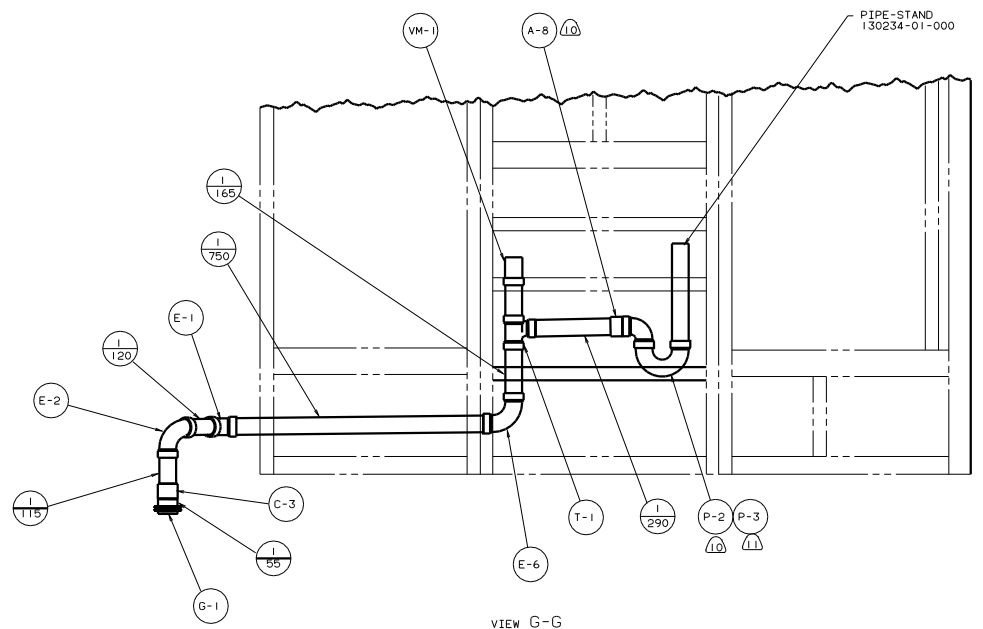
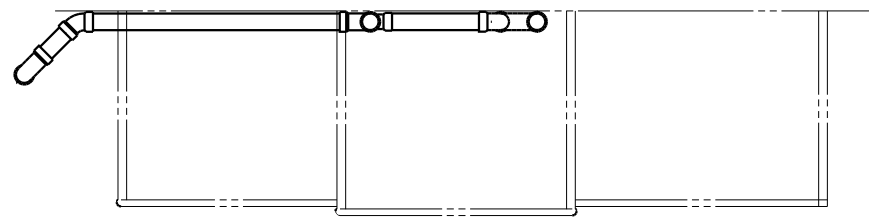
VIEW E-E

98 G37WW

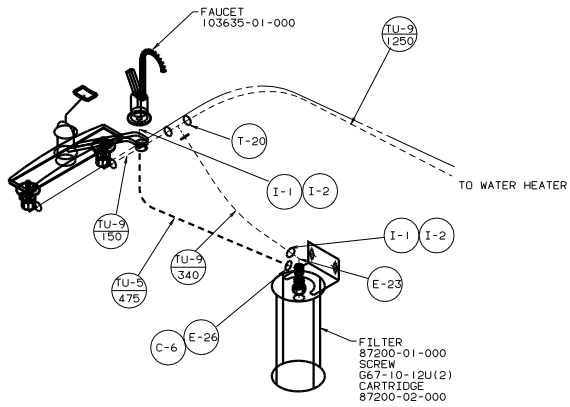
TITLE: DRAINAGE SYSTEM INSTL	
30 101 1000 0000	1.0
SHEET 3 OF 4	127361



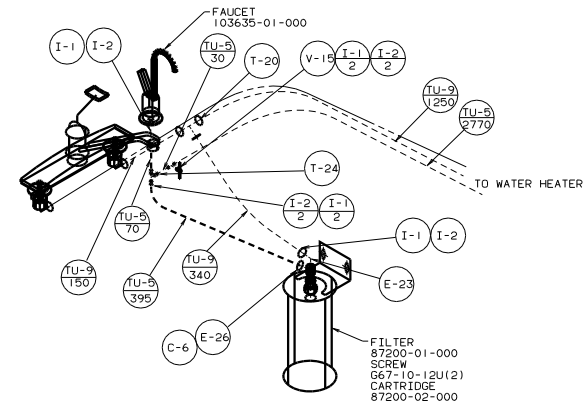
VIEW F-F
WITHOUT WASHER/DRYER



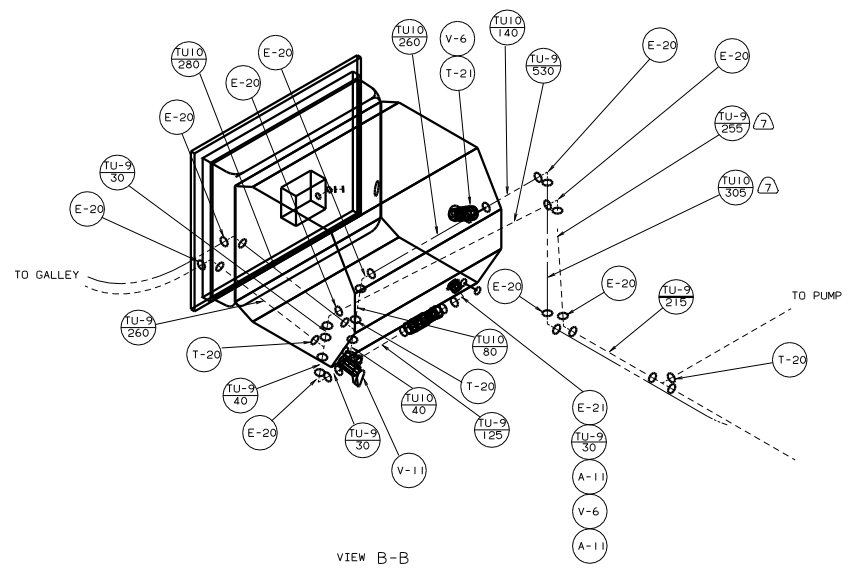
VIEW G-G
WITH WASHER/DRYER



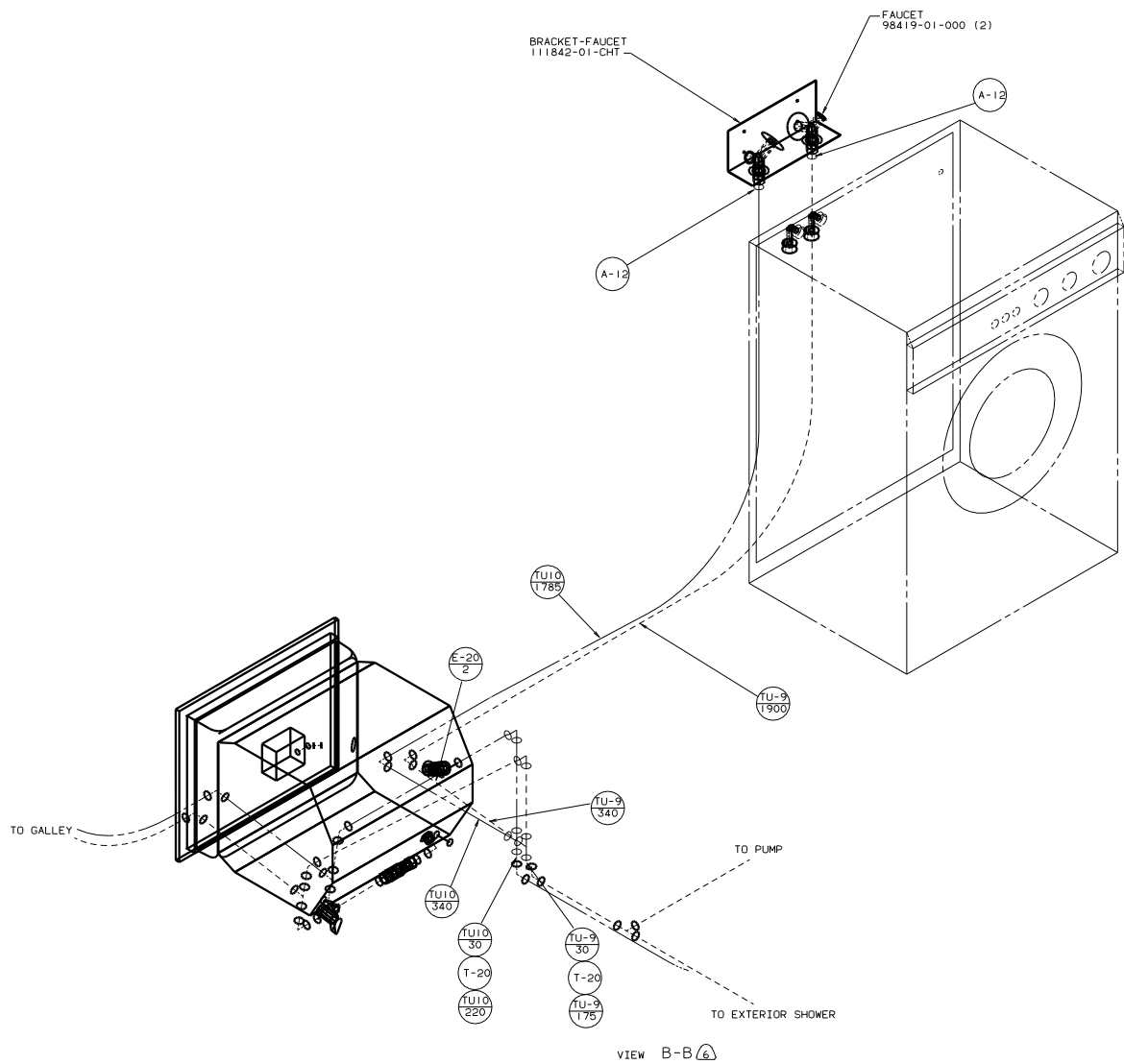
VIEW A-A
SINGLE CONTROL
W/PURIFIER



VIEW A-A
SINGLE CONTROL
W/PURIFIER & ICEMAKER



VIEW B-B



VIEW B-B