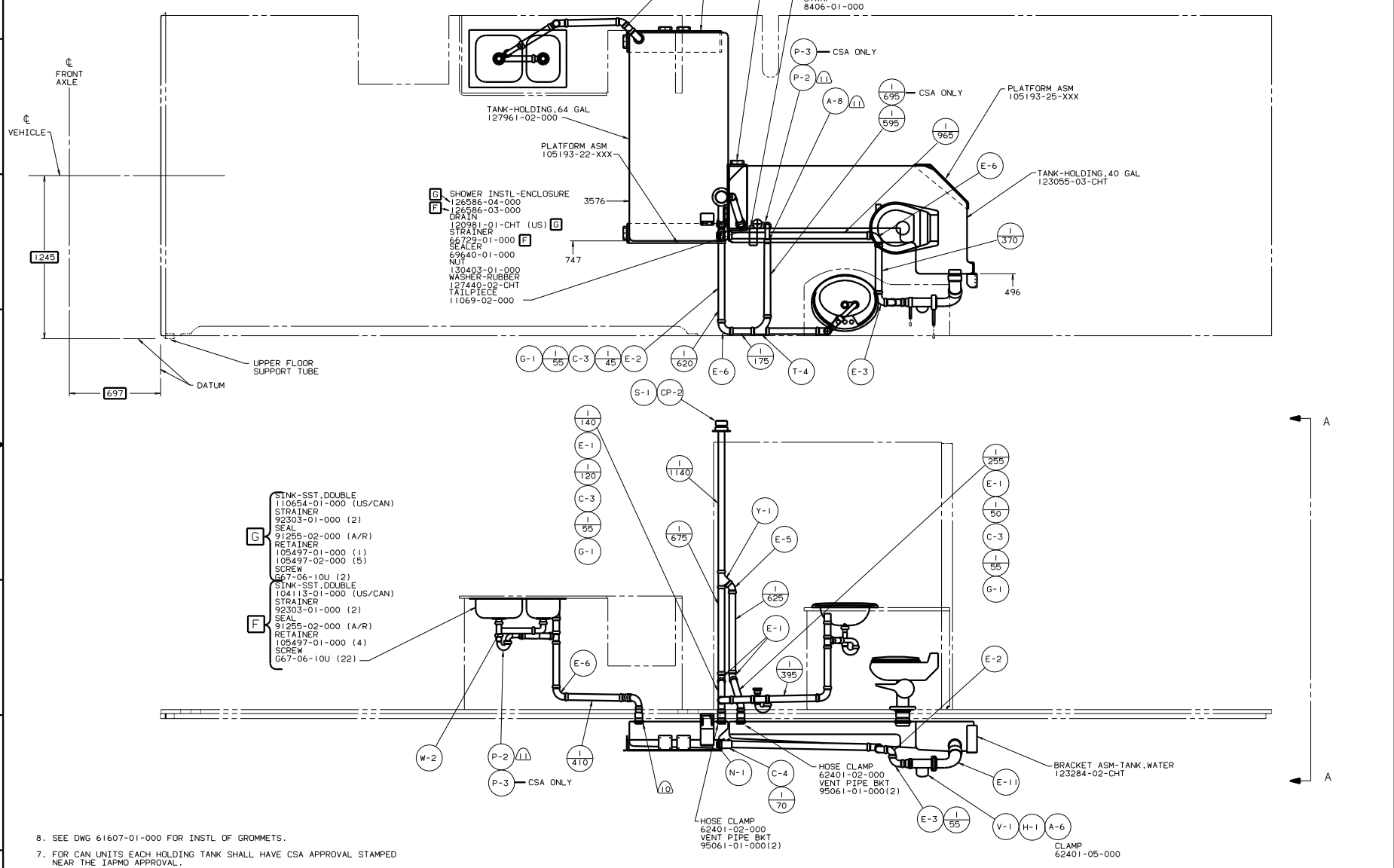


DWG NO	UNIT	
126295-01	G35WP	G
126295-02	F35WP	F



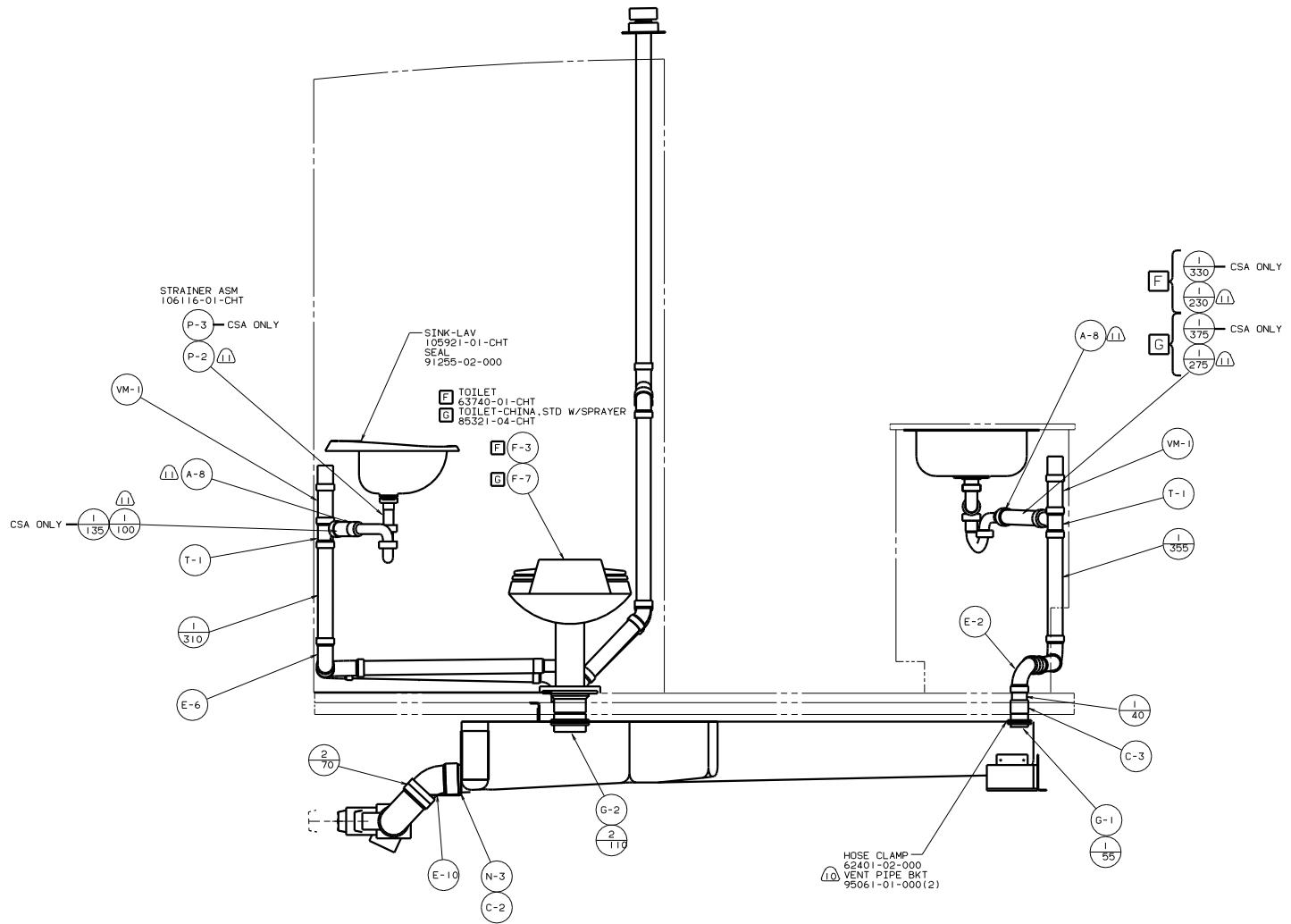
- NOTES:
- SEE DWG 61607-01-000 FOR INSTL OF GROMMETS.
 - FOR CAN UNITS EACH HOLDING TANK SHALL HAVE CSA APPROVAL STAMPED NEAR THE IAPMO APPROVAL.
 - SEAL AROUND SHOWER WITH SILICONE.
 - EXPOSED PIPE ABOVE ROOF TO BE PAINTED 37163-01-000.
 - ALL EXTERIOR OPENINGS AROUND PIPE TO BE SEALED WITH 110744-01-000.
 - ALL PIPE AND FITTINGS TO BE ASSEMBLED WITH SOLVENT 4020-01-000.
 - SLOPE OF TRAP ARM MUST BE 6 PER 305.
 - SLOPE OF HORIZONTAL PIPING TO BE 6 PER 305 MIN.

- Ⓛ NOT USED ON CANADIAN UNITS.
- Ⓢ SECURE VENT TUBES TO FLOOR WITH BRACKET
- Ⓟ VENT PIPE MUST PROJECT 51 MM MIN AND 63.5 MM MAX ABOVE ROOF FOR PROPER FIT AND FUNCTION.

X-X FOR DRAINAGE CALLOUTS SEE DWG NO. 116229-01-000

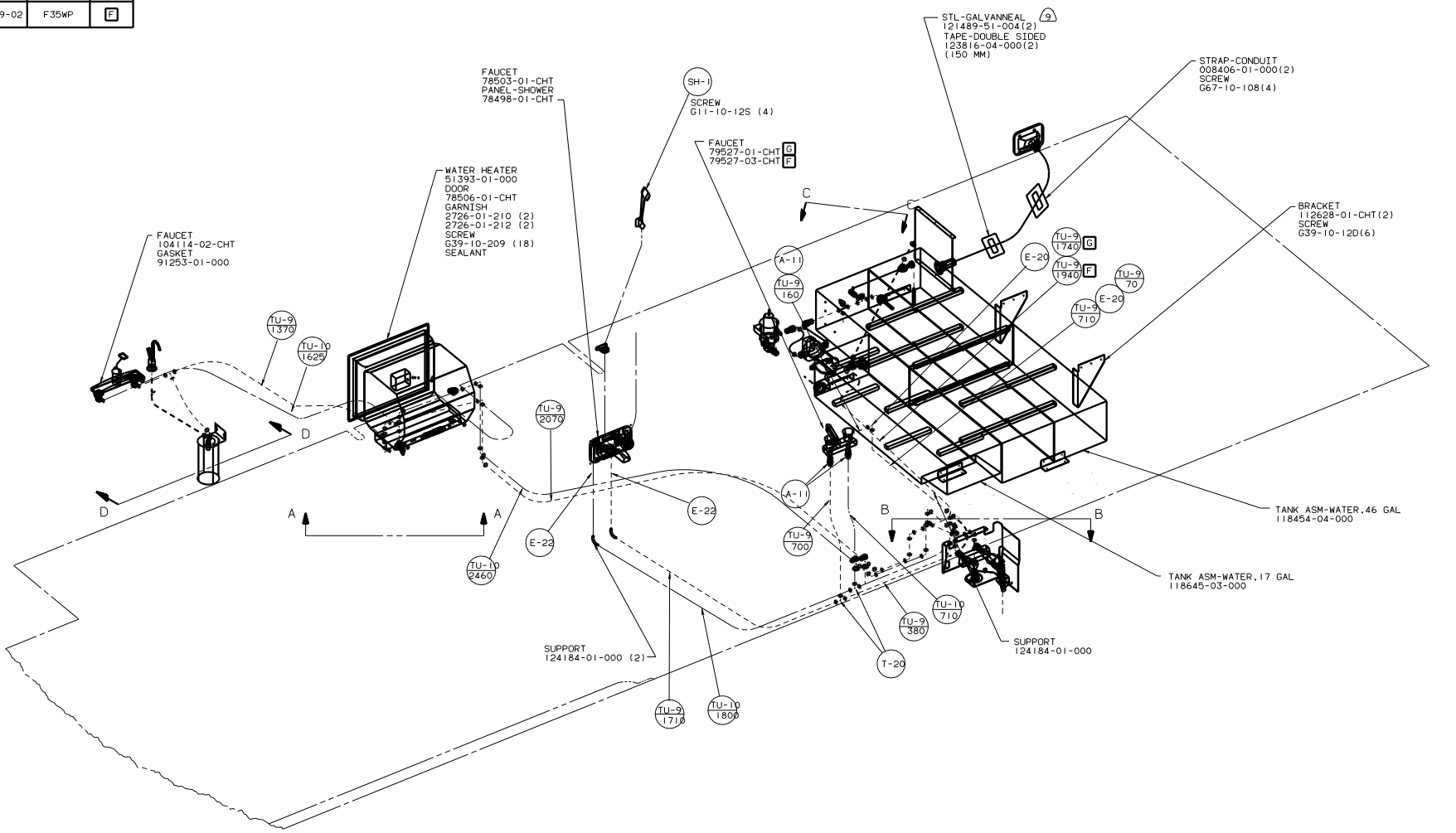
<p>WINNEBAGO 98 G35WP</p>		DATE	UNDESIGNED TOLERANCES ARE:	MATERIAL
		DATE	WHOLE DIM (1:1)	
DATE	ONE-PHASE (16:1)			
DATE	TWO-PHASE (16:1)			
DATE	ANGLE			
DATE	INDUS. W/OLE PROJECTION			
DATE	INDUS. W/OLE PROJECTION			

LABOR: G35WP TITLE: DRAINAGE SYSTEM INSTL
 REV # SCALE: NONE DIM TO FACE DIMS: 1:1 DIM: 126295
 ALL DIMENSIONS ARE IN MILLIMETERS SHEET 1 OF 2



VIEW A-A

DWG NO	UNIT	
126269-01	G35WP	G
126269-02	F35WP	F



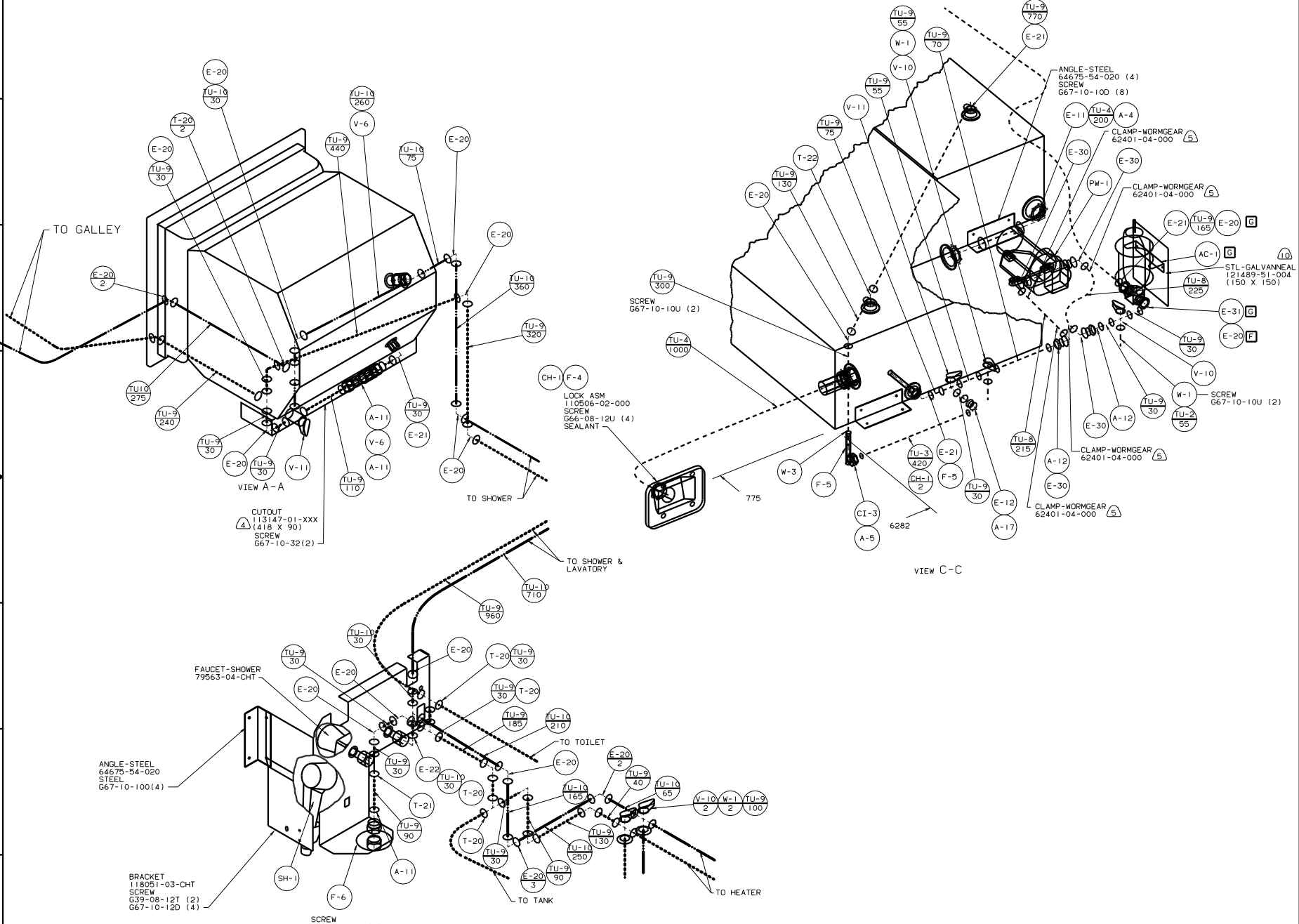
- (1) USE 119938-02-000 TO BOND TO RISER.
 (2) STEEL TO BE ATTACHED TO BOTTOM OF UPPER FLOOR.
 (3) OUTLET OF VALVE TOWARD PUMP MUST BE OPEN AT ALL TIMES.
 (4) USE WITH ICE MAKER.
 (5) USE WITH WATER PURIFIER.
 (6) CLAMP MUST BE ON BARBS.
 (7) LOCATE CUTOUT TO SUPPORT WATER HEATER.
 3. ALL TUBING TO BE SECURED AT 1200 INTERVALS MAX WITH CLIP 91951-01-000 AND SCREW G13-06-16U.
 2. TUBING TO BE INSTALLED WITH SUFFICIENT SLOPE TO PROVIDE DRAINAGE TO NEAREST VALVE.
 1. PLASTIC FITTINGS TO BE SEALED WITH SEALANT 84456-01-000.

NOTES:



LEGEND	
HOT	—————
COLD	—————

WINNEAGO		98 F & G35WP
OF IN	DATE	UNDESIGNED TOLERANCES ARE:
CHP	DATE	WELD DIM 1/16"
PIE	DATE	ONE-PLACE 1/16"
D/E	DATE	TWO-PLACE 1/32"
COLR	DATE	THIRD-PLACE 1/64"
DATE	DATE	THIRD-ANGLE PERSPECTIVE
LAYOUT NO. G35WP	TITLE WATER SYSTEM INSTL	
DIA #	SCALE: NONE	NO. OF SHEETS: 3
ALL DIMENSIONS ARE IN MILLIMETERS	SHEET 1 OF 3	DWG NO. 126269



CUTOUT
113147-01-XXX
(418 X 90)
SCREW
G67-10-32(2)

LOCK ASM
110506-02-000
SCREW
G66-08-12U (4)
SEALANT

ANGLE-STEEL
64675-54-020
STEEL
G67-10-100(4)

BRACKET
118051-03-CHT
SCREW
G39-08-12T (2)
G67-10-120 (4)

SCREW
G67-10-12B (2)

ANGLE-STEEL
64675-54-020 (4)
SCREW
G67-10-100 (8)

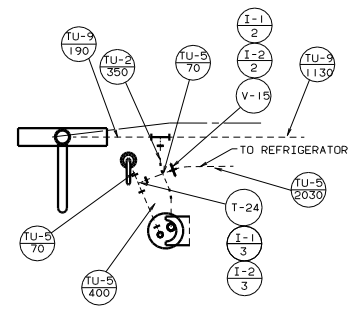
CLAMP-WORMGEAR
62401-04-000

CLAMP-WORMGEAR
62401-04-000

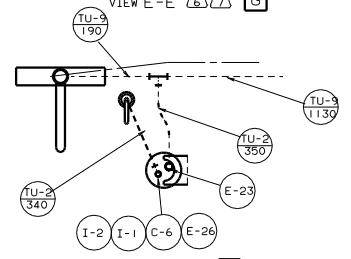
STL-GALVANNEAL
121489-51-004
(150 X 150)

CLAMP-WORMGEAR
62401-04-000

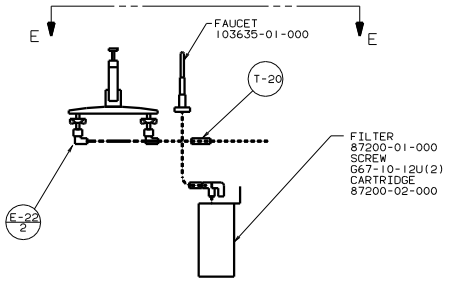
CLAMP-WORMGEAR
62401-04-000



VIEW E-E (A) (7) (G)



VIEW E-E (A) (G)



VIEW D-D (A) (G)