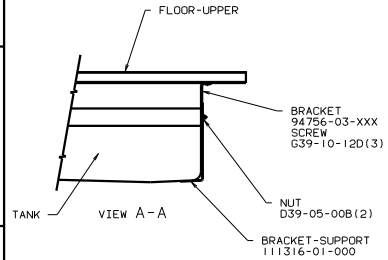
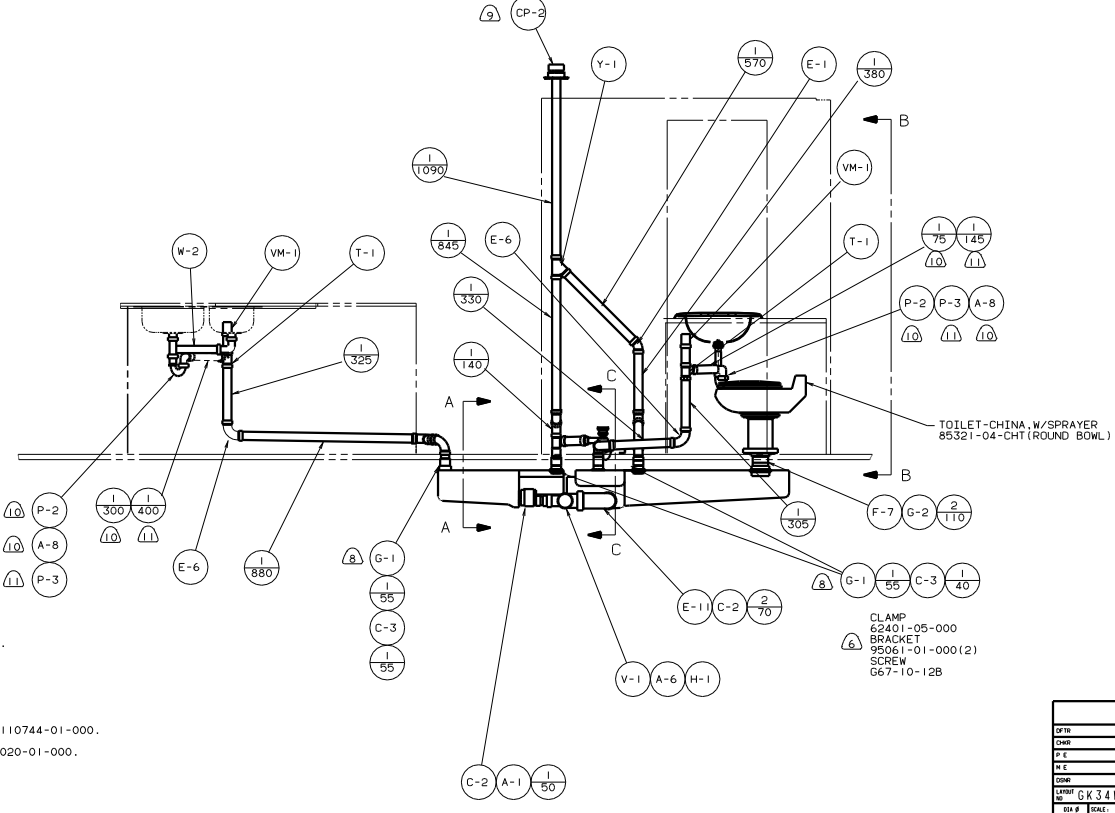
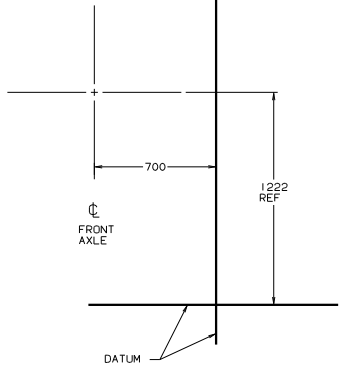


SINK-SST,DOUBLE
 110654-01-000(LS/CAN)
 RETAINER
 105497-01-000
 105497-02-000(5)
 SCREW
 G67-06-10U(22)
 STRAINER W/BASKET
 92303-01-000(2)
 SEAL
 91255-02-000(A/R)

TANK-HOLDING
 121385-05-000
 PLATFORM ASM-HOLDING TANK
 105193-12-XXX
 105193-13-XXX

TANK-HOLDING
 124933-02-000
 PLATFORM ASM-HOLDING TANK
 105193-14-XXX
 105193-21-XXX

SINK-LAVATORY
 105921-01-CHT
 SEAL
 91255-02-000(A/R)
 STRAINER
 106116-01-CH
 SPACER-SINK
 105218-01-CHT



- 265 CODE STANDARDS-CSA.
 10 1B1 CODE STANDARDS-USA.
 2 VENT PIPE MUST BE PROJECTED 51 TO 64 MAXIMUM ABOVE ROOF FOR PROPER FIT AND FUNCTION.
 3 SEE DRAWING 61607-01-000 FOR INSTALLATION OF GROMMET.
 7 SEAL ALL AROUND SHOWER WITH SILICONE 78474-01-CHT.
 8 SECURE VENT TUBES TO FLOOR.
 5 EXPOSED PIPE ABOVE ROOF TO BE PAINTED 37163-01-000.
 4 ALL EXTERIOR OPENINGS AROUND PIPE TO BE SEALED WITH 110744-01-000.
 3 ALL PIPE AND FITTINGS TO BE ASSEMBLED WITH SOLVENT 4020-01-000.
 2 SLOPE OF TRAP MUST BE 6 PER 300 MINIMUM.
 1 SLOPE OF HORIZONTAL PIPING TO BE 6 PER 300 MINIMUM.

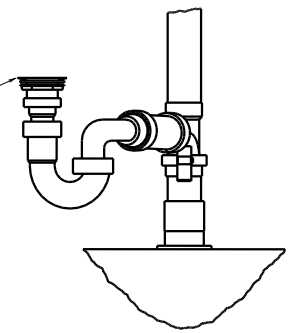
X-X FOR DRAINAGE CALLOUTS SEE DWG NO. 116229-01-000

WINNEBAGO 98 G34WD PUSH

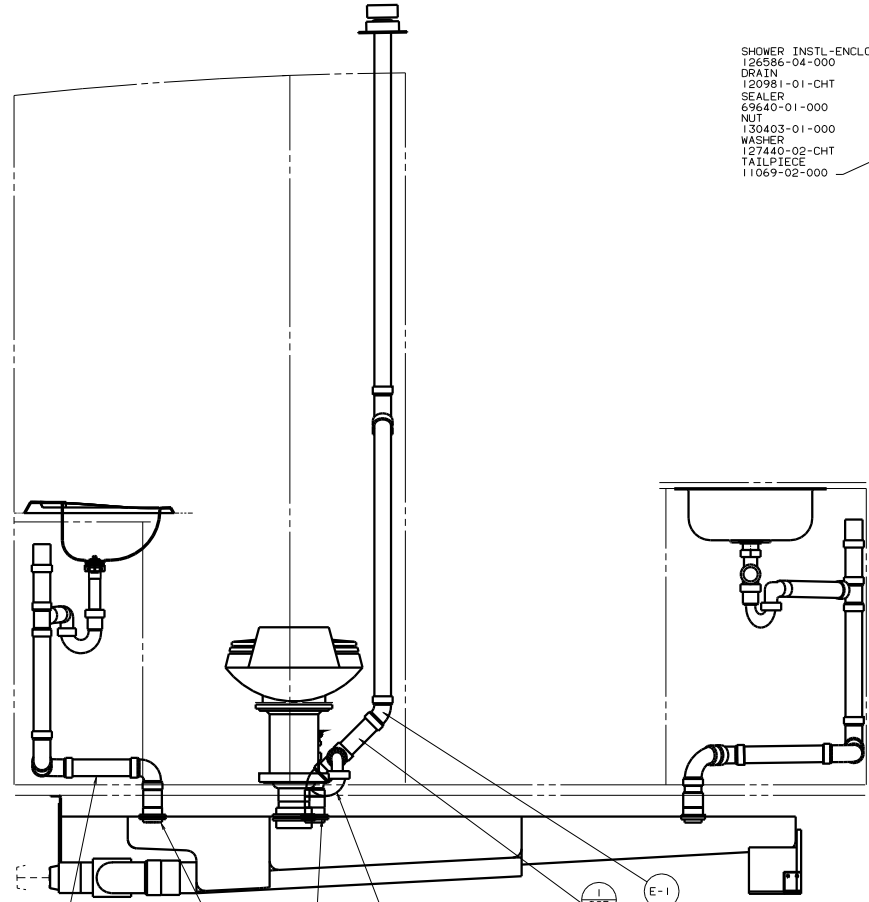
DATE	UNDESIGNED TOLERANCES ARE:	MATERIAL:
DATE	ONE-PLACE (R.A1)	
DATE	TWO-PLACE (R.A0)	
DATE	MILL	
DATE	THIRD WHOLE	
DATE	PRODUCTION	

LAYOUT: GK34WD TITLE: DRAINAGE SYSTEM INSTL
 SHEET 1 OF 2 REF: 122598 E 1

- SHOWER INSTL-ENCLOSURE
- 126586-04-000
- DRAIN
- 120981-01-CHT
- SEALER
- 69640-01-000
- NUT
- 130403-01-000
- WASHER
- 127440-02-CHT
- TAILPIECE
- 11069-02-000



VIEW C-C



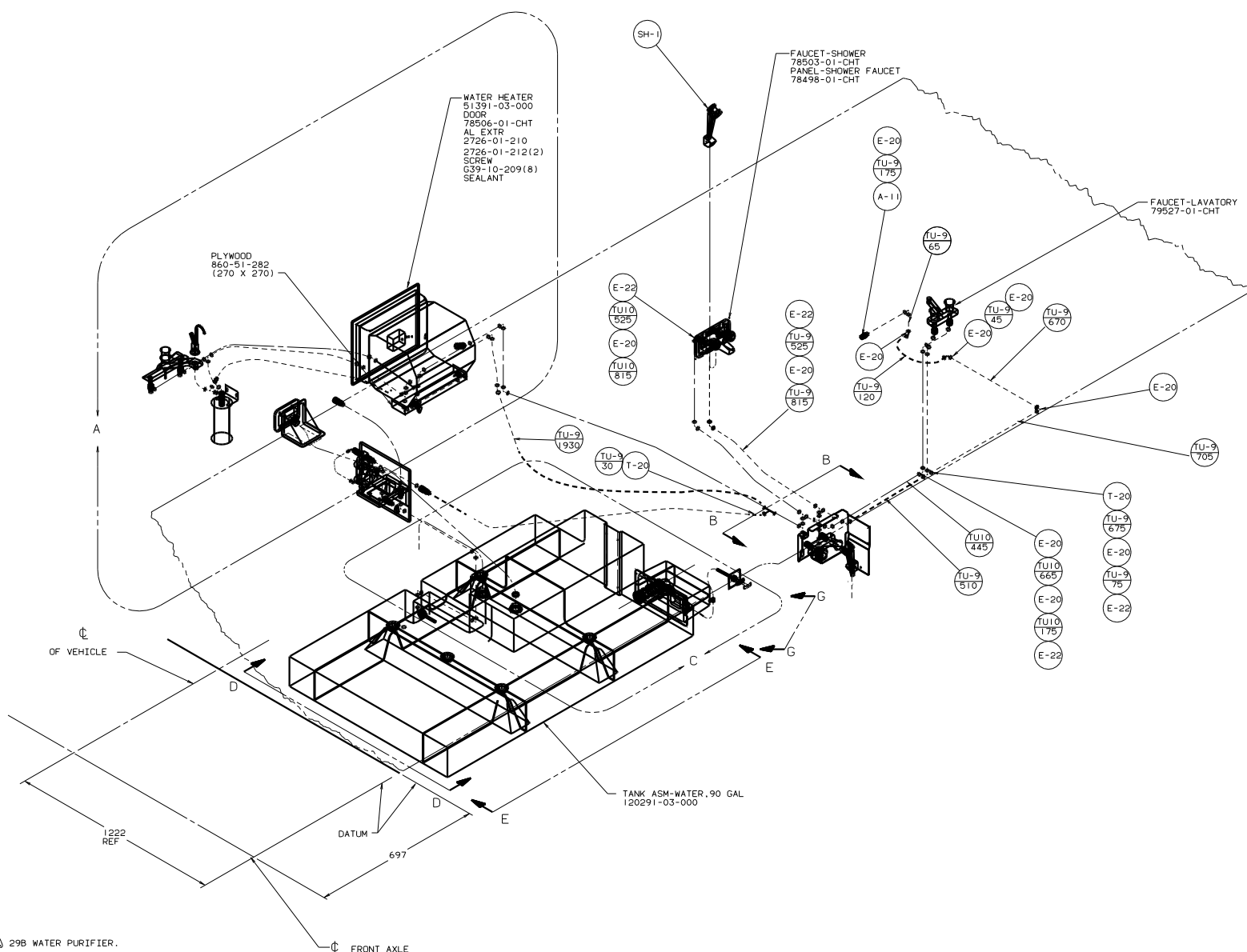
VIEW B-B

- I 200
- G-1
- I 55
- C-3
- I 55
- E-2
- G-1
- I 55
- E-5
- T-1
- P-2
- P-3
- A-8
- I 225
- E-1

- CLAMP
- 62401-05-000
- BRACKET
- 95061-01-000(12)
- SCREW
- G67-10-12B

98 G34WQ PUSH

TITLE: DRAINAGE SYSTEM INSTL	
NO. SHEETS DRAWING	FIG. NO.
SHEET 2 OF 2	1E
127152	



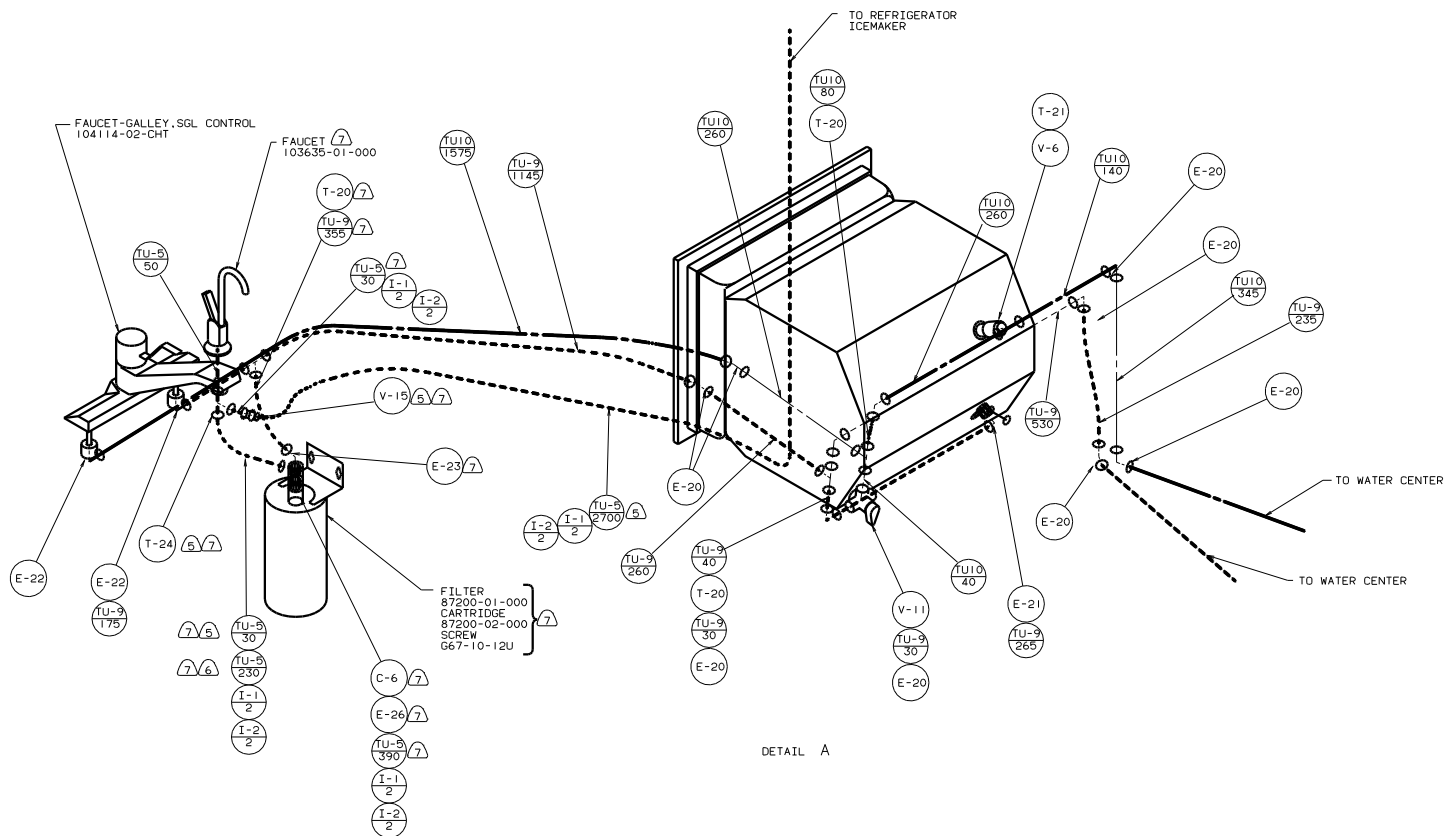
- (7) 29B WATER PURIFIER.
 - (6) USE WITHOUT ICEMAKER.
 - (5) ISU REFRIG-WITH ICEMAKER AND BY REFRIG/FRZR SIDE/SIDE.
 - 4. CLAMPS MUST BE ON BARBS.
 - 3. ALL TUBING TO BE SECURED AT 1200 INTERVALS MAXIMUM WITH CLAMP 10495-01-000 AND SCREW G67-10-12B.
 - 2. TUBING TO BE INSTALLED WITH SUFFICIENT SLOPE TO PROVIDE DRAINAGE TO NEAREST VALVE.
 - 1. PLASTIC FITTINGS TO BE SEALED WITH SEALANT 84456-01-000.
- NOTES:

FOR WATER CALLOUTS SEE DWG NO. 116230-01-000

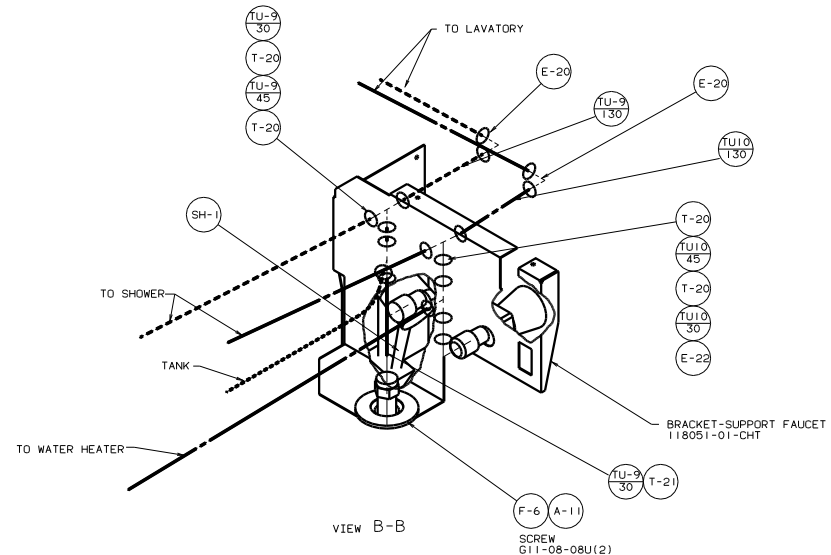
LEGEND	
HOT	-----
COLD	-----

WINNEBAGO		98 G34WD PUSHER	
DATE	DATE	UNSPECIFIED TOLERANCES ARE:	MATERIAL
DATE	DATE	ONE-PLACE (X.X1)	
DATE	DATE	TWO-PLACE (X.XX)	
DATE	DATE	THREE-PLACE (X.XXX)	
DATE	DATE	FOUR-PLACE (X.XXXX)	
DATE	DATE	FIVE-PLACE (X.XXXXX)	
DATE	DATE	SIX-PLACE (X.XXXXXX)	
DATE	DATE	SEVEN-PLACE (X.XXXXXXX)	
DATE	DATE	EIGHT-PLACE (X.XXXXXXX)	
DATE	DATE	NINE-PLACE (X.XXXXXXX)	
DATE	DATE	TEN-PLACE (X.XXXXXXX)	
DATE	DATE	ELEVEN-PLACE (X.XXXXXXX)	
DATE	DATE	TWELVE-PLACE (X.XXXXXXX)	
DATE	DATE	THIRTEEN-PLACE (X.XXXXXXX)	
DATE	DATE	FOURTEEN-PLACE (X.XXXXXXX)	
DATE	DATE	FIFTEEN-PLACE (X.XXXXXXX)	
DATE	DATE	SIXTEEN-PLACE (X.XXXXXXX)	
DATE	DATE	SEVENTEEN-PLACE (X.XXXXXXX)	
DATE	DATE	EIGHTEEN-PLACE (X.XXXXXXX)	
DATE	DATE	NINETEEN-PLACE (X.XXXXXXX)	
DATE	DATE	TWENTY-PLACE (X.XXXXXXX)	
DATE	DATE	TWENTY-ONE PLACE (X.XXXXXXX)	
DATE	DATE	TWENTY-TWO PLACE (X.XXXXXXX)	
DATE	DATE	TWENTY-THREE PLACE (X.XXXXXXX)	
DATE	DATE	TWENTY-FOUR PLACE (X.XXXXXXX)	
DATE	DATE	TWENTY-FIVE PLACE (X.XXXXXXX)	
DATE	DATE	TWENTY-SIX PLACE (X.XXXXXXX)	
DATE	DATE	TWENTY-SEVEN PLACE (X.XXXXXXX)	
DATE	DATE	TWENTY-EIGHT PLACE (X.XXXXXXX)	
DATE	DATE	TWENTY-NINE PLACE (X.XXXXXXX)	
DATE	DATE	THIRTY PLACE (X.XXXXXXX)	

LANE NO. GK34WD TITLE: WATER SYSTEM INSTL
 SHEET 1 OF 4 REF: 123608 H I 127272

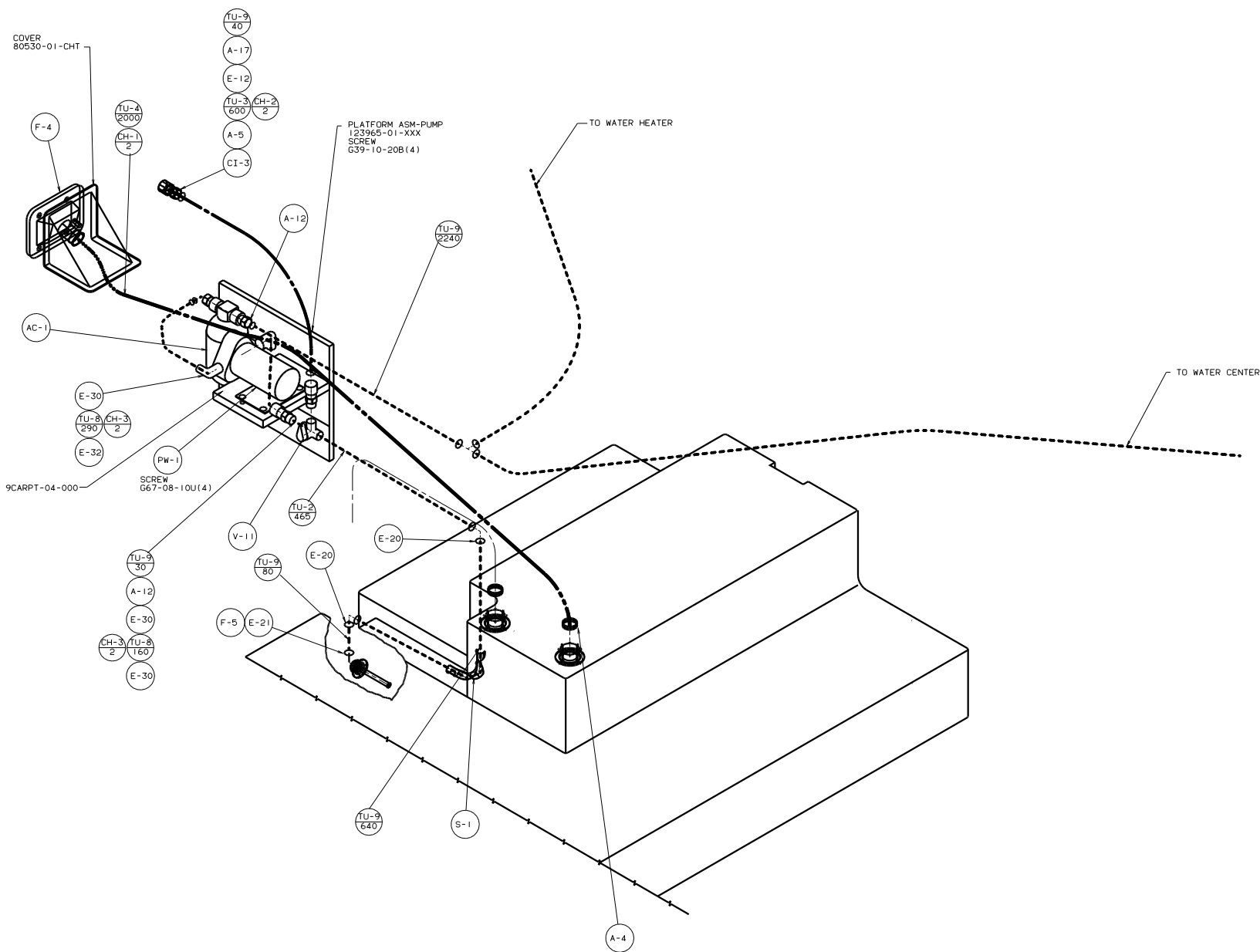


FILTER
87200-01-000
CARTRIDGE
87200-02-000
SCREW
667-10-12U



98 G34WQ PUSHER

TITLE		WATER SYSTEM INSTL	
NO	SCALE	REV	DATE
2	OF 4	1	127272

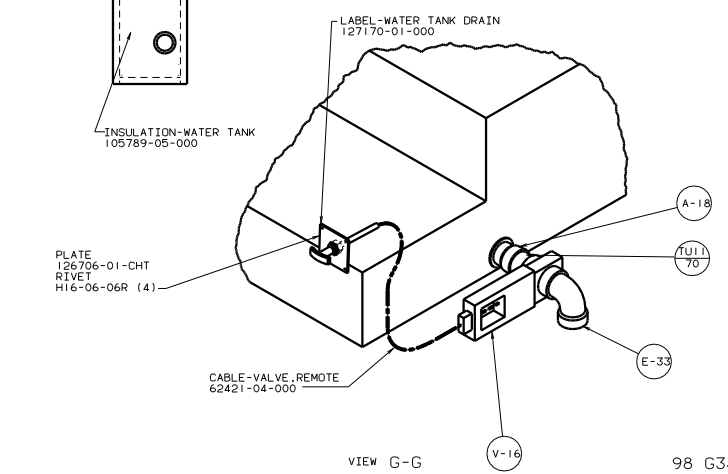
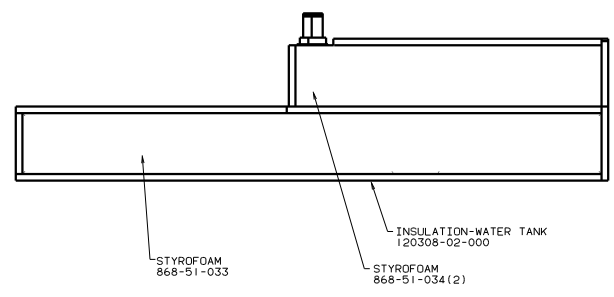
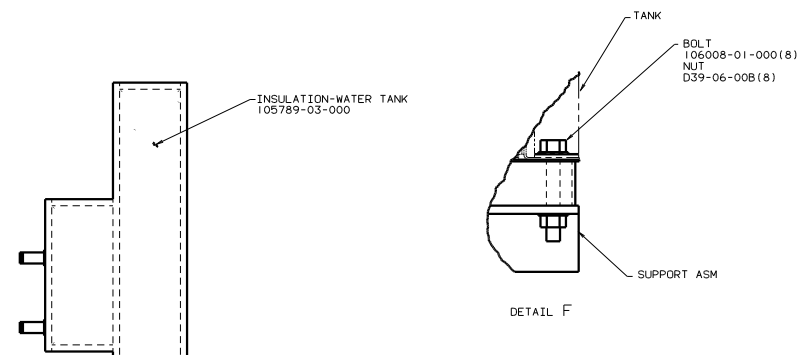
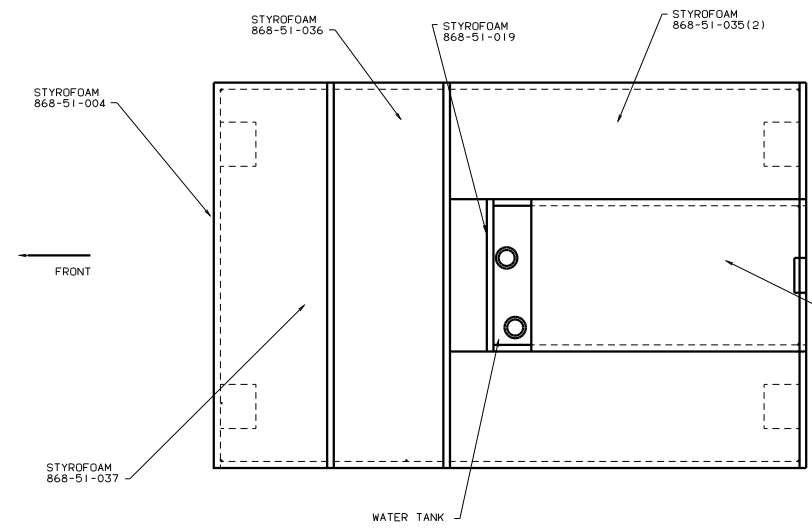
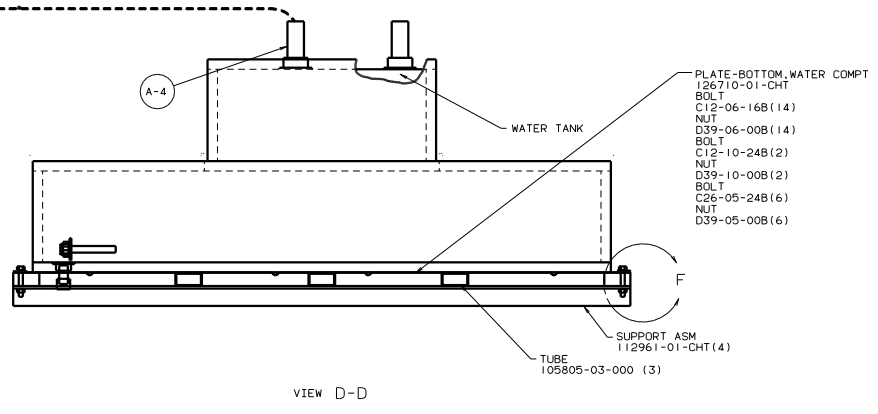
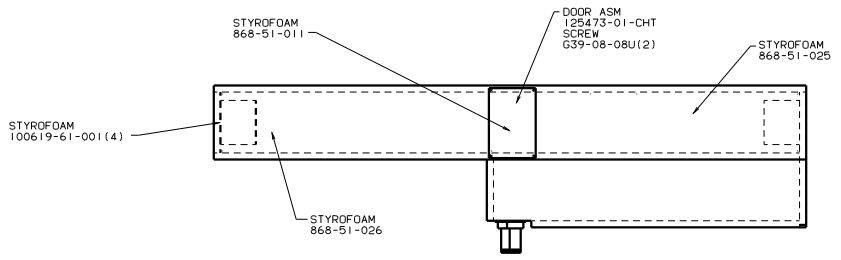


DETAIL C

98 G34WQ PUSHER

TITLE: WATER SYSTEM INSTL	
30 X 100 SCALE	1/16" DIA
SHEET 3 OF 4	127272

TU-A
400
CH-1
2
SCREEN
78475-01-000
(100 X 100)



98 G34W0,PUSHER

TITLE	WATER SYSTEM INSTL		
NO. IN SCALE SERIES	SHEET	4 OF 4	REV. NO. 1

127272