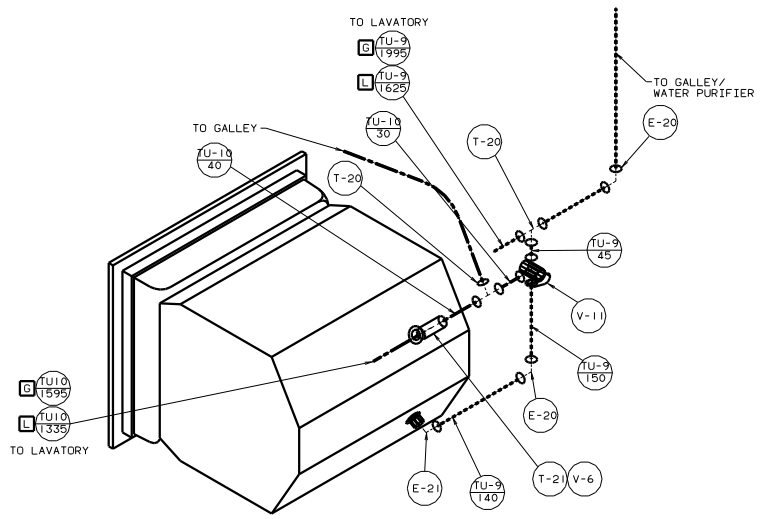
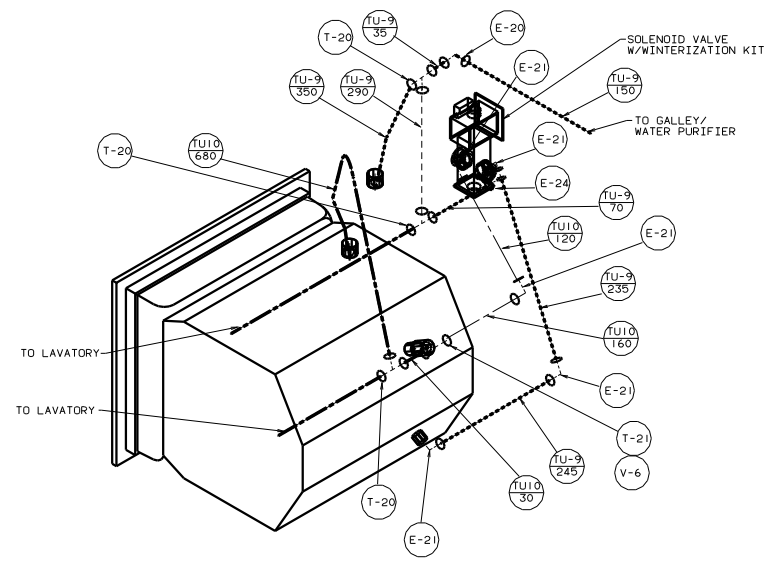


VIEW A-A

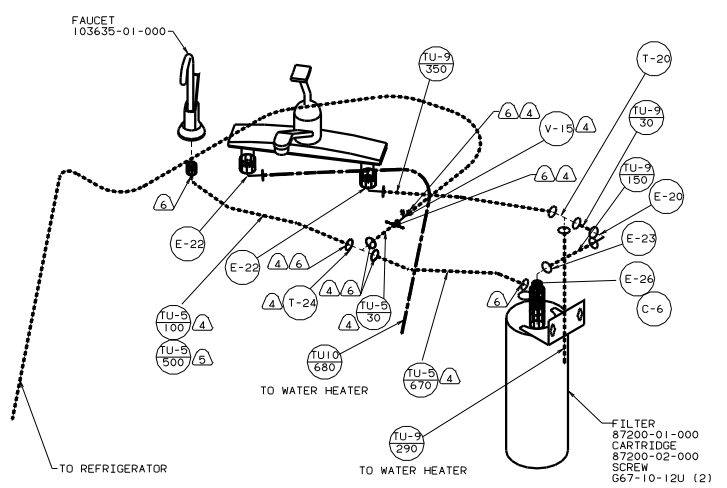
98 L33WQ	
TITLE: DRAINAGE SYSTEM INSTL	
DATE: 2 of 2	FIG. NO: 125367



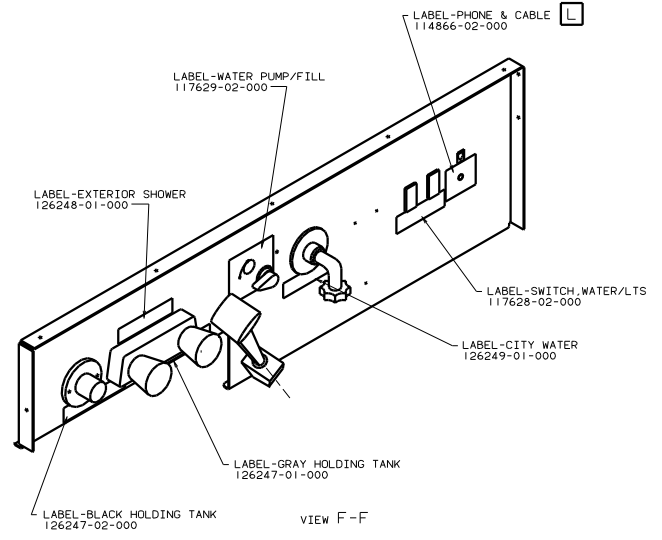
VIEW A-A
53J-WATER HEATER BY-PASS VALVE



VIEW A-A
53Q-WATER HEATER WINTER AUTOMATIC



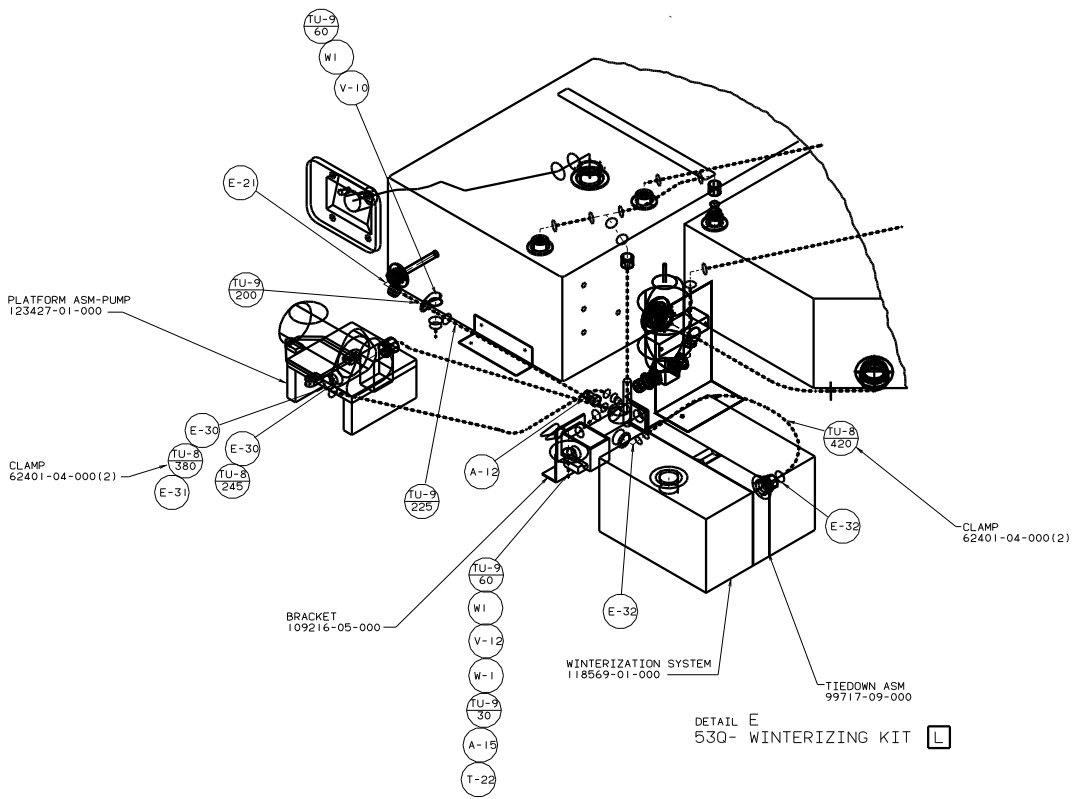
VIEW B-B
29B-WATER PURIFIER



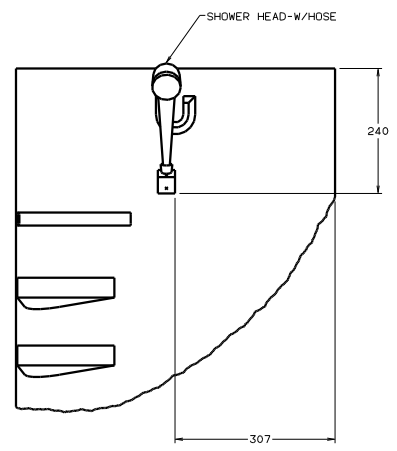
VIEW F-F

98 G33WQ
98 L33WQ

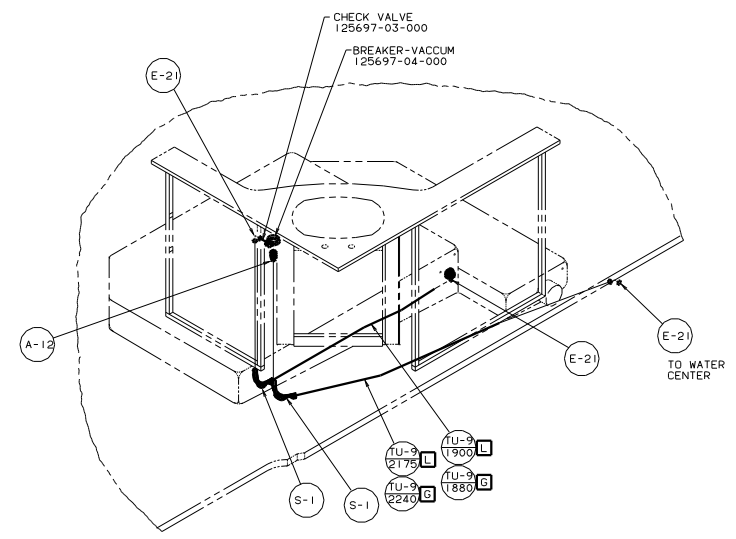
TITLE		WATER SYSTEM INSTL	
NO. OF SHEETS	2	OF	4
SHEET	2	OF	4
Doc No	125371	Rev	1.0



DETAIL E
530- WINTERIZING KIT [L]



DETAIL D



FLUSHING SYSTEM

TITLE		98 G33WQ	
WATER SYSTEM INSTL		98 L33WQ	
30 THE SCALE LISTING	THE	Doc	125371
SHEET 4 of 4	1 of 1		