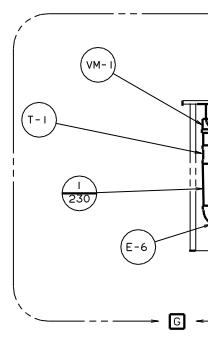


DWG NO	UNIT	
127080-01	G32W0	G
127080-02	F32W0	F

- SHOWER INSTL-ENCLOSURE
 126586-05-000
 126586-06-000
 DRAIN
 120981-01-CHT (US)
 STRAINER-TUB
 66729-01-000 (CAN)
 STRAINER-TUB
 66729-01-000
 SEALER
 69640-01-000
 NUT-SLIP
 66436-01-000
 WASHER
 69735-01-000
 TAIL-PIECE
 11069-02-000

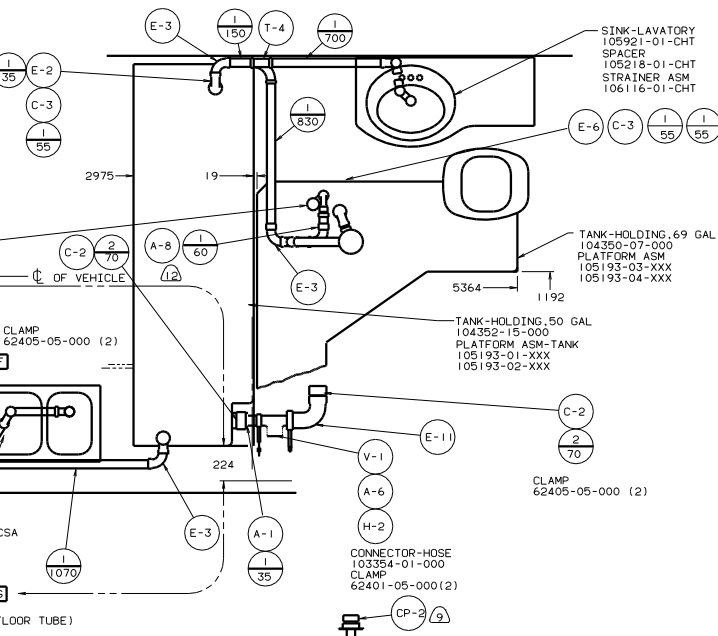
- SINK-SST, DOUBLE
 110654-01-CHT (US/CAN)
 104113-01-000 (US/CAN)
 STRAINER
 92303-01-000 (2)
 SEAL
 69640-01-000
 RETAINER
 105497-01-000 (2)
 105497-02-000 (4)
 SCREW
 667-06-10U (22)

DATUM
 (EDGE OF FLOOR TUBE)



- TRIM P-TRAP EXTENSION TO FIT.
- SECURE VENT TUBES TO FLOOR WITH BRACKET 95061-01-000 (2), CLAMP 62401-02-000, PLATE COVER 94346-03-000, SCREW 667-10-12B (2), AND STAPLE 5403-03-000.
- VENT PIPE MUST PROJECT 51 MM MIN AND 63.5 MM MAX ABOVE ROOF FOR PROPER FIT AND FUNCTION.
- SEE DWG 61607-01-000 FOR INSTL OF GROMMETS.
- SEAL ALL AROUND SHOWER WITH SILICONE.
- FOR CAN UNITS EACH HOLDING TANK SHALL HAVE A CSA APPROVAL STAMPED NEAR THE IAMPD APPROVAL.
- EXPOSED PIPE ABOVE ROOF TO BE PAINTED 37163-01-000.
- ALL EXTERIOR OPENINGS AROUND PIPE TO BE SEALED WITH 110744-01-000.
- ALL PIPE AND FITTINGS TO BE ASSEMBLED WITH SOLVENT 4020-01-000.
- SLOPE OF TRAP ARM MUST BE 6 PER 305.
- SLOPE OF HORIZONTAL PIPING TO BE 6 PER 305 MIN.

NOTES:

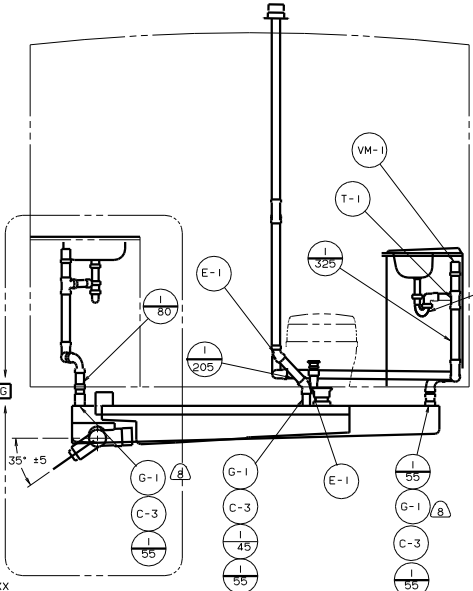
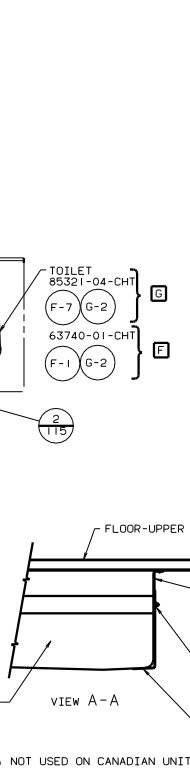
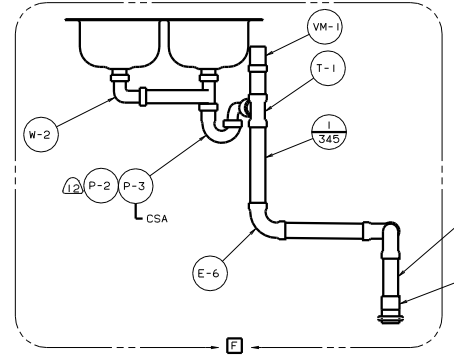
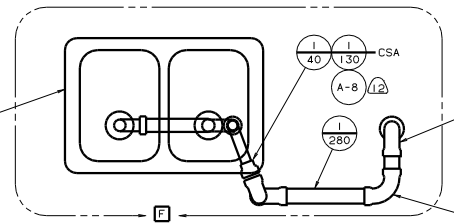


- SINK-SST, DOUBLE
 104113-01-000 (US/CAN)
 STRAINER
 95303-01-000 (2)
 SEAL
 69640-01-000
 RETAINER
 105497-01-000 (2)
 105497-02-000 (4)
 SCREW
 667-06-10U (22)

- TANK-HOLDING, 69 GAL
 104350-07-000
 PLATFORM ASM
 105193-03-XXX
 105193-04-XXX

- TANK-HOLDING, 50 GAL
 104352-15-000
 PLATFORM ASM-TANK
 105193-01-XXX
 105193-02-XXX

- CONNECTOR-HOSE
 103384-01-000
 CLAMP
 62401-05-000 (2)



- TOILET
 85321-04-CHT
 63740-01-CHT
 F-7 G-2
 F-1 G-2

- BRACKET
 94756-03-XXX
 SCREW
 G39-10-12D (3)

- NUT
 D39-05-00B (2)
 BRACKET-SUPPORT
 111316-01-000

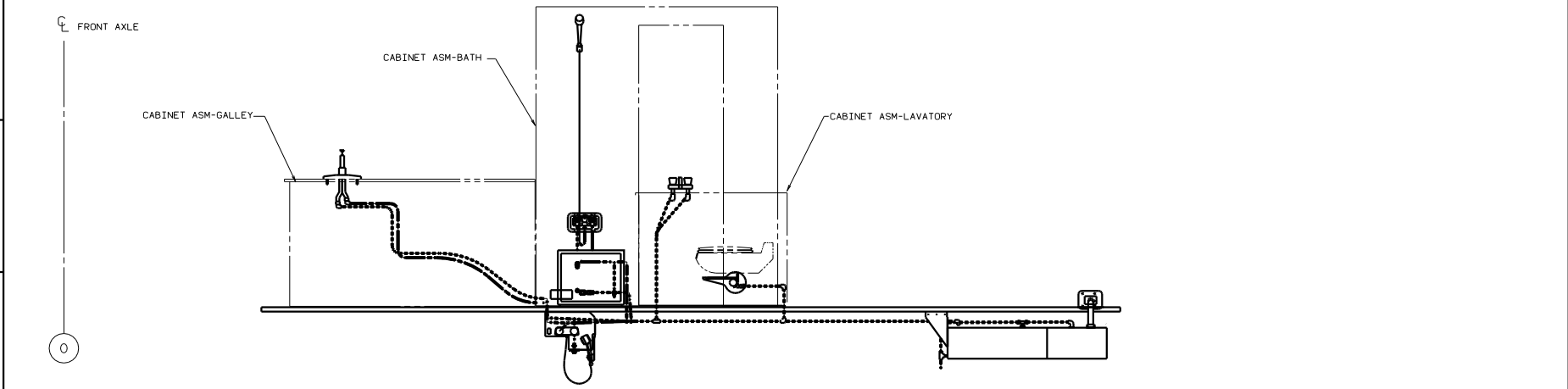
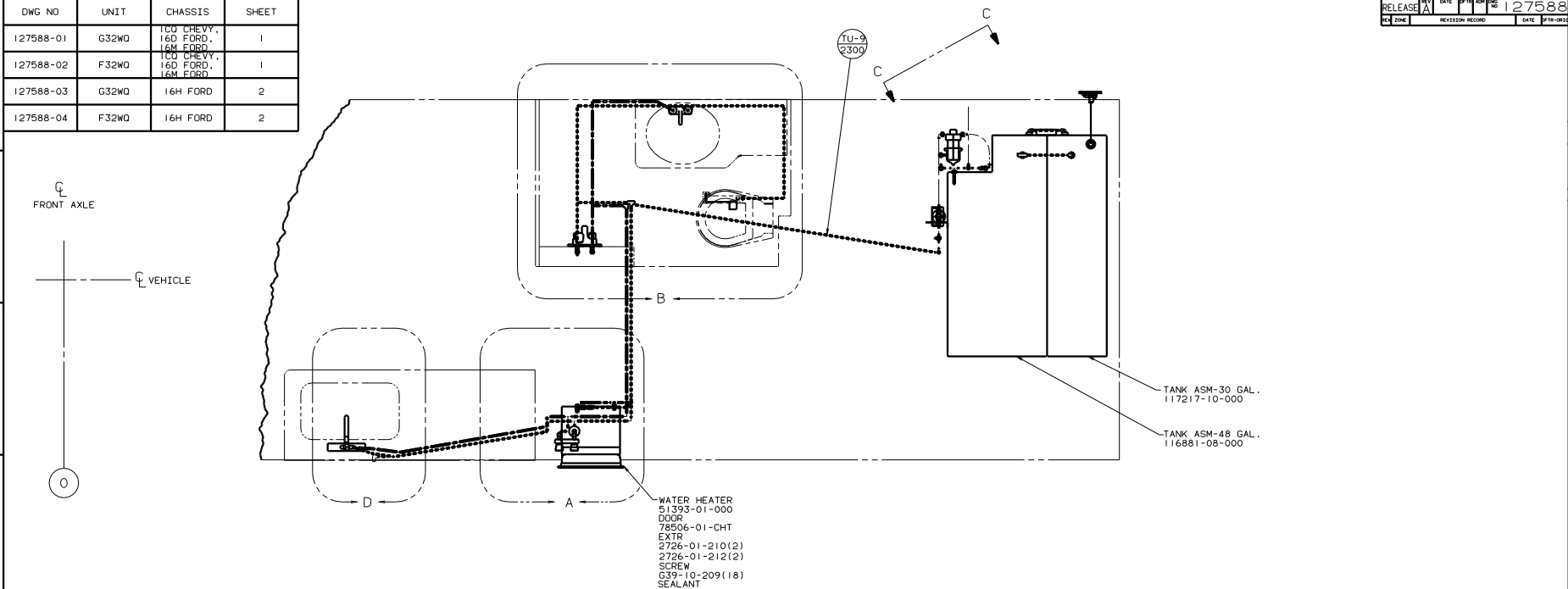
(12) NOT USED ON CANADIAN UNITS.

FOR DRAINAGE CALLOUTS SEE DWG NO. 116229-01-000

		98 F&G32W0
OF	DATE	UNDESIGNED TOLERANCES ARE:
CHP	DATE	HOLE DIM (3)
DATE	DATE	ONE-PLACE (4, 8)
DATE	DATE	TWO-PLACE (9, 10)
DATE	DATE	DATE
DATE	DATE	INDUS. WEALE PRODUCTION
DATE	DATE	

DWG NO. G32W08
 SHEET 1 OF 1
 SCALE: NONE
 UNIT: MM
 TITLED: DRAINAGE SYSTEM INSTL
 REF: 115921 K I
 127080

DWG NO	UNIT	CHASSIS	SHEET
127588-01	G32W0	160 CHEVY. 16H FORD	1
127588-02	F32W0	160 CHEVY. 16H FORD	1
127588-03	G32W0	16H FORD	2
127588-04	F32W0	16H FORD	2



- 6) LOCATE CUTOUT TO SUPPORT WATER HEATER.
- 5) BRACKET FLANGE TO BE FLUSH WITH TOP OF CHASSIS RISERS.
- 4) CLAMP MUST BE ON BARBS.
3. ALL TUBING TO BE SECURED AT 1200 INTERVALS MAX WITH CLAMP 10495-01-000 OR CLIP 91951-01-000 AND SCREW G67-10-12B.
2. TUBING TO BE INSTALLED WITH SUFFICIENT SLOPE TO PROVIDE DRAINAGE TO NEAREST VALVE.
1. PLASTIC FITTINGS TO BE SEALED WITH SEALANT 84456-01-000.

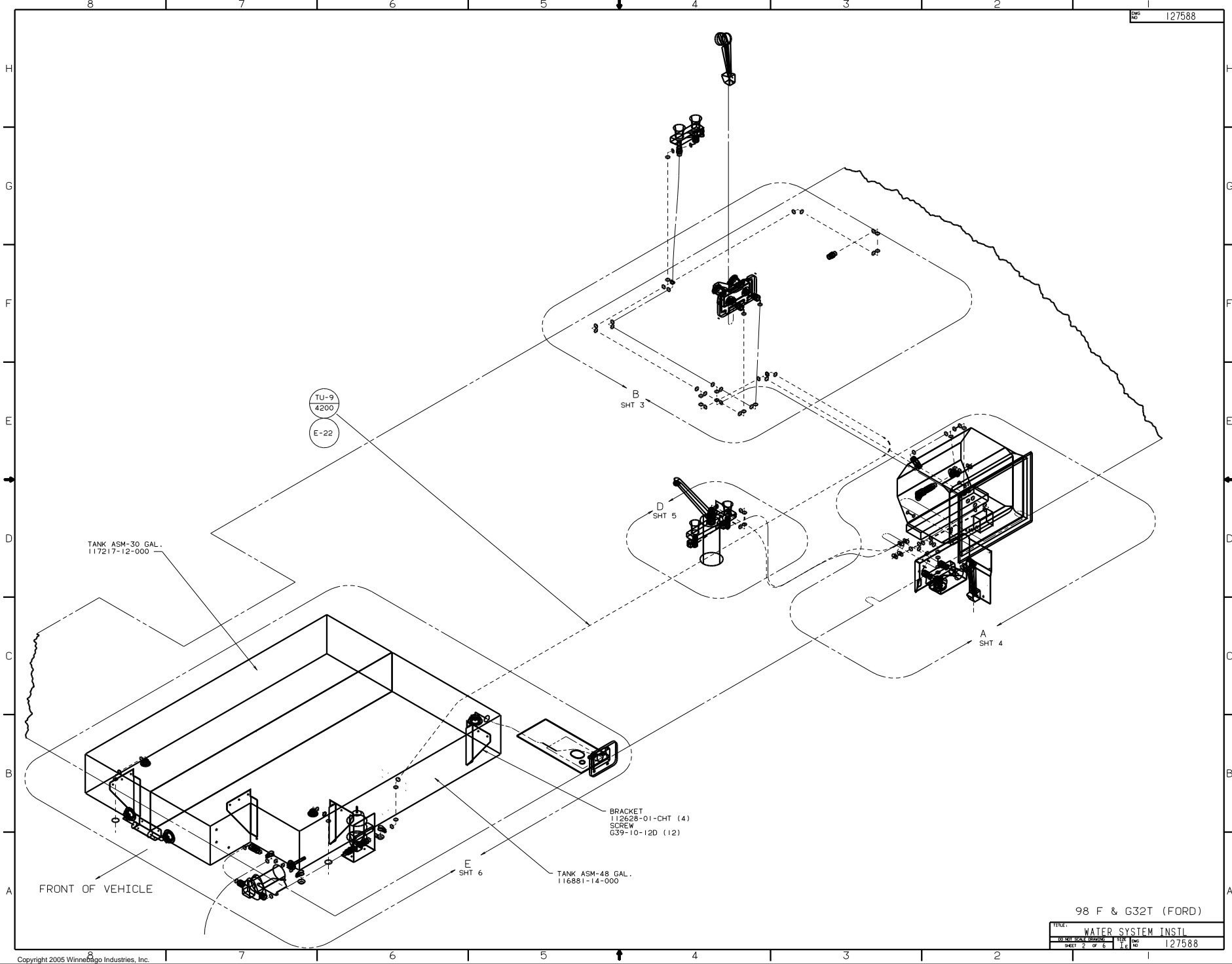
LEGEND

HOT	-----
COLD	-----

FOR WATER CALLOUTS SEE DWG NO. 116230-01-000

OF IT	DATE	UNSPECIFIED TOLERANCES ARE	MATERIAL
CHP	DATE	WHOLE OR 1/16"	
D/E	DATE	ONE-PLACE (1/32)"	
D/E	DATE	TWO-PLACE (1/64)"	
D/E	DATE	ANGLE	
CDR	DATE	THIRD ANGLE PERSPECTIVE	

LAUNCH F32W0 TITLE WATER SYSTEM INSTL
 814 # SCALE: NONE 300 NET SCALE: 3/16" DIA # 127588
 ALL DIMENSIONS ARE IN MILLIMETERS SHEET 1 OF 6 127588



TU-9
4200
E-22

TANK ASM-30 GAL.
117217-12-000

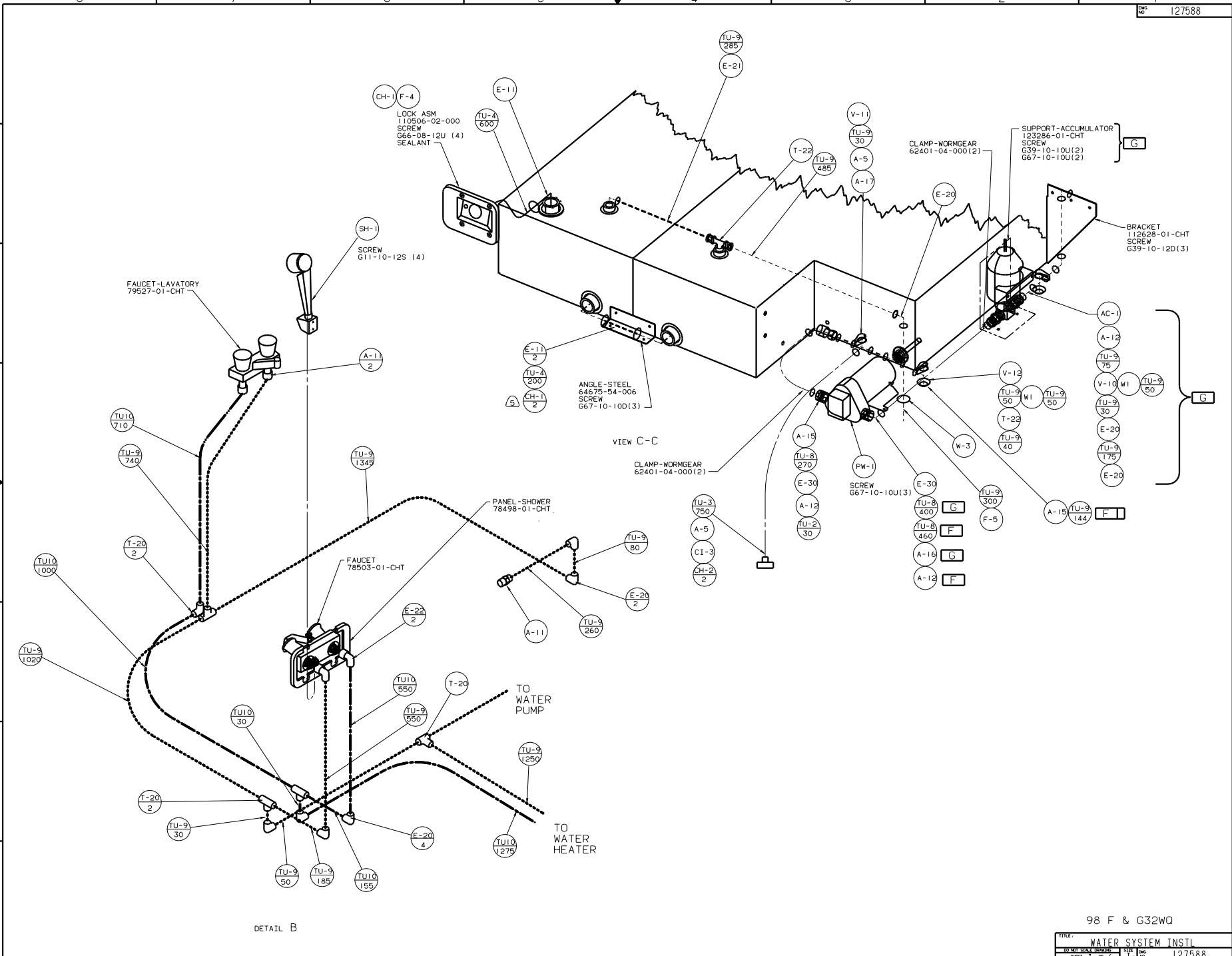
BRACKET
112628-01-CHT (4)
SCREW
G39-10-12D (12)

TANK ASM-48 GAL.
116891-14-000

FRONT OF VEHICLE

98 F & G32T (FORD)

TITLE: WATER SYSTEM INSTL	
TO SHEET NO. 2 OF 6	REV. NO. 127588

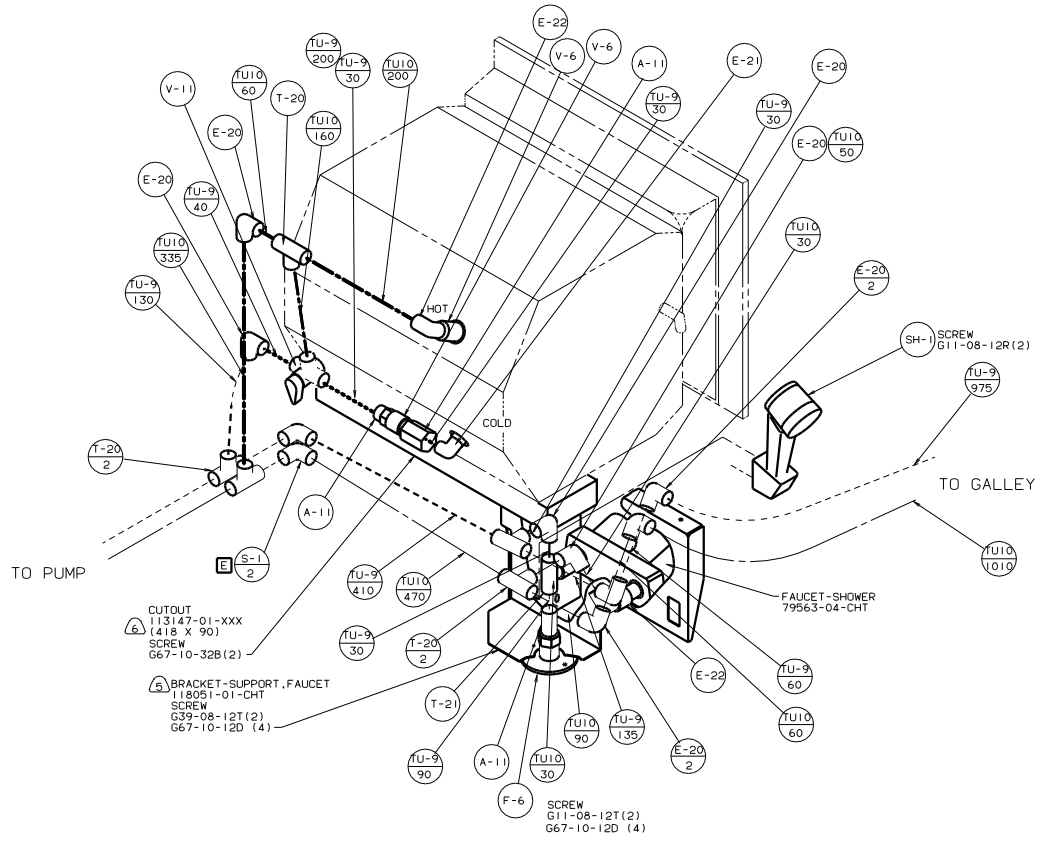


DETAIL B

VIEW C-C

98 F & G32WQ

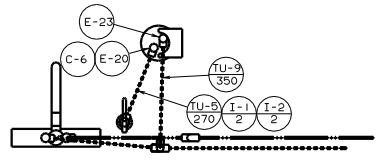
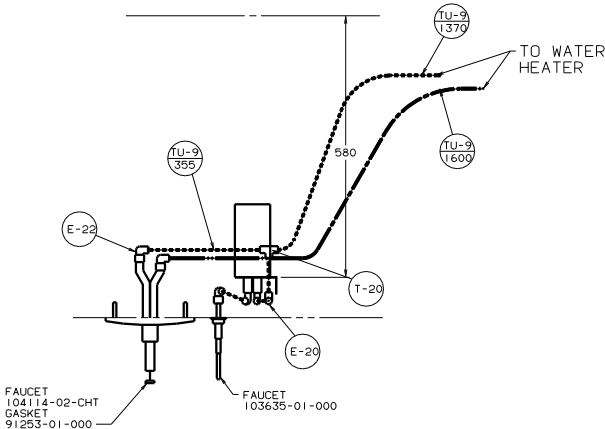
TITLE		WATER SYSTEM INSTL	
30	NO SCALE	1/8"	1/4"
SHEET 3	OF 6	FIG	127588



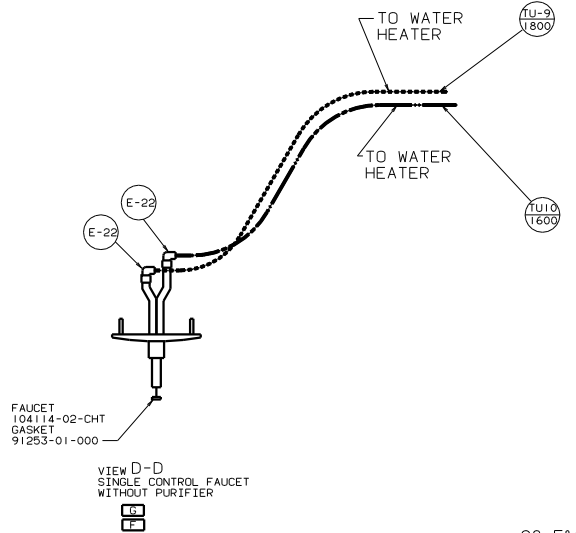
CUTOUT
113147-01-XXX
(418 X 90)
SCREW
G67-10-32B (2)

BRACKET-SUPPORT, FAUCET
118051-01-CHT
SCREW
G39-08-12T(2)
G67-10-12D (4)

DETAIL A



VIEW D-D
SINGLE CONTROL FAUCET
WITH PURIFIER

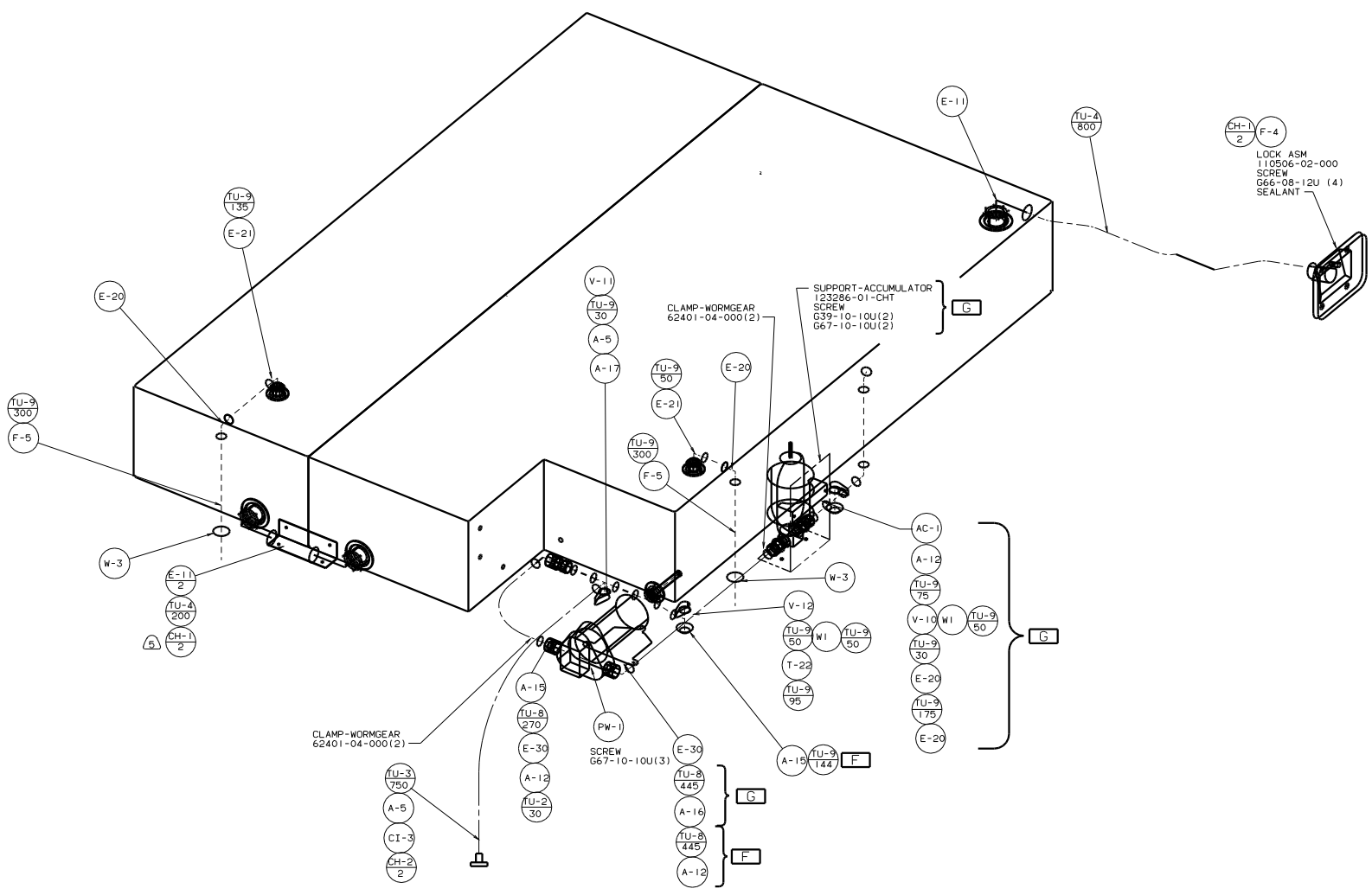


VIEW D-D
SINGLE CONTROL FAUCET
WITHOUT PURIFIER



98 F&G32WQ

TITLE: WATER SYSTEM INSTL	
DATE: 5/06	REV: 1
SHEET: 5 OF 6	DWG NO: 127588



DETAIL E