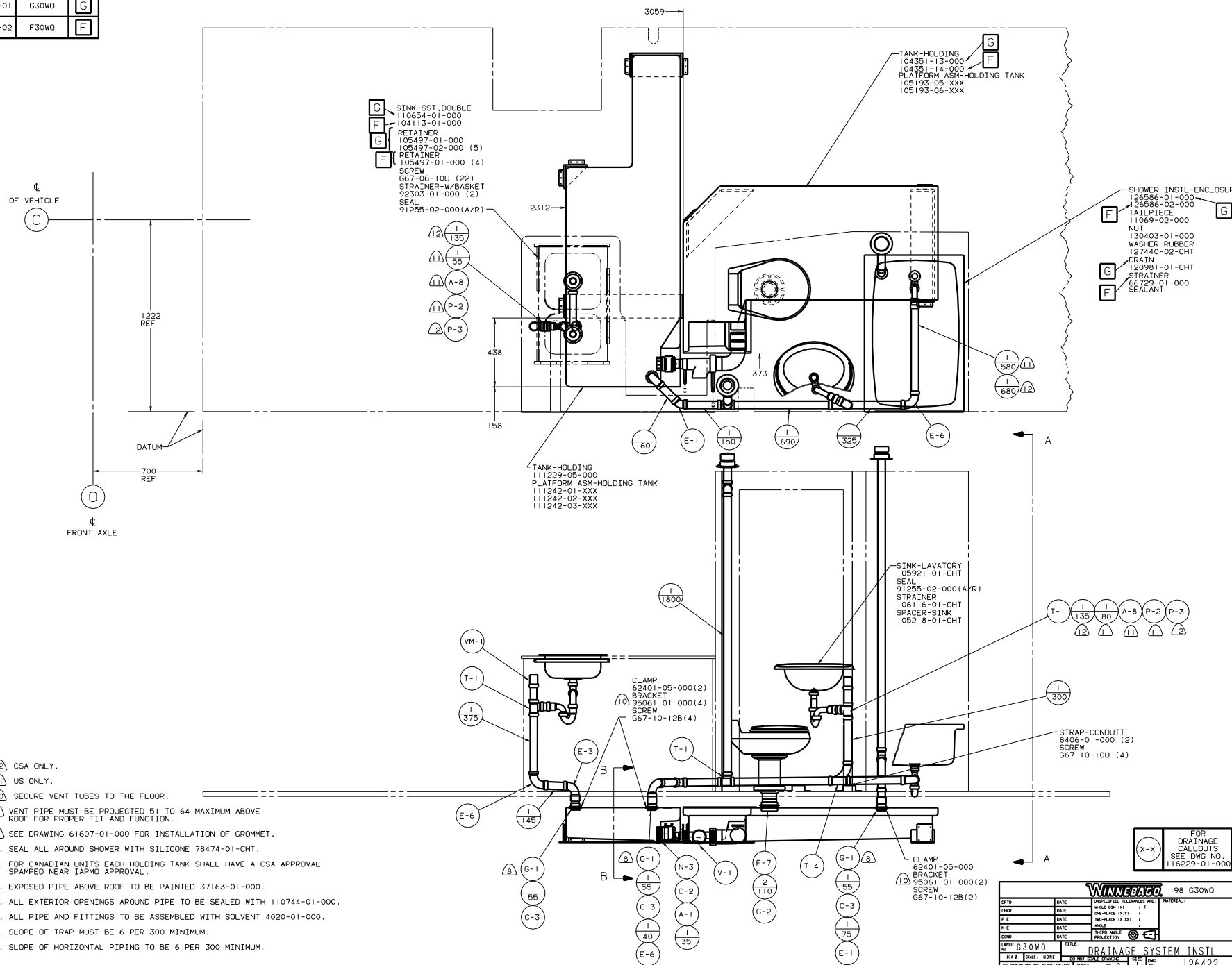


DWG NO	---	---
126422-01	G30WD	G
126422-02	F30WD	F

RELEASE BY DATE PLOT NO 126422
 REVISION RECORD DATE 8/19/02



- G SINK-SST, DOUBLE
- 110654-01-000
- 104113-01-000
- RETAINER
- 105497-01-000
- 105497-02-000 (5)
- RETAINER
- 105497-01-000 (4)
- SCREW
- G67-06-10U (22)
- STRAINER-W/BASKET
- 92303-01-000 (2)
- SEAL
- 91255-02-000 (A/R)

- G TANK-HOLDING
- 104351-13-000
- 104351-14-000
- PLATFORM ASM-HOLDING TANK
- 105193-05-XXX
- 105193-06-XXX

- F SHOWER INSTL-ENCLOSURE
- 126586-01-000
- 126586-02-000
- TAILPIECE
- 11069-02-000
- NUT
- 130403-01-000
- WASHER-RUBBER
- 127440-02-CHT
- DRAIN
- G 120981-01-CHT
- F STRAINER
- 66729-01-000
- SEALANT

- TANK-HOLDING
- 111229-05-000
- PLATFORM ASM-HOLDING TANK
- 111242-01-XXX
- 111242-02-XXX
- 111242-03-XXX

- SINK-LAVATORY
- 105921-01-CHT
- SEAL
- 91255-02-000 (A/R)
- STRAINER
- 106116-01-CHT
- SPACER-SINK
- 105218-01-CHT

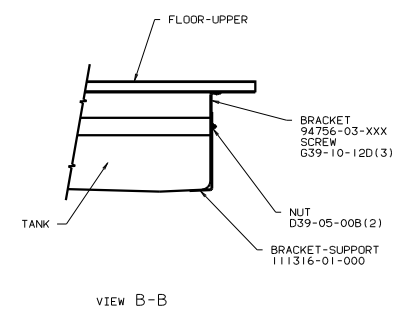
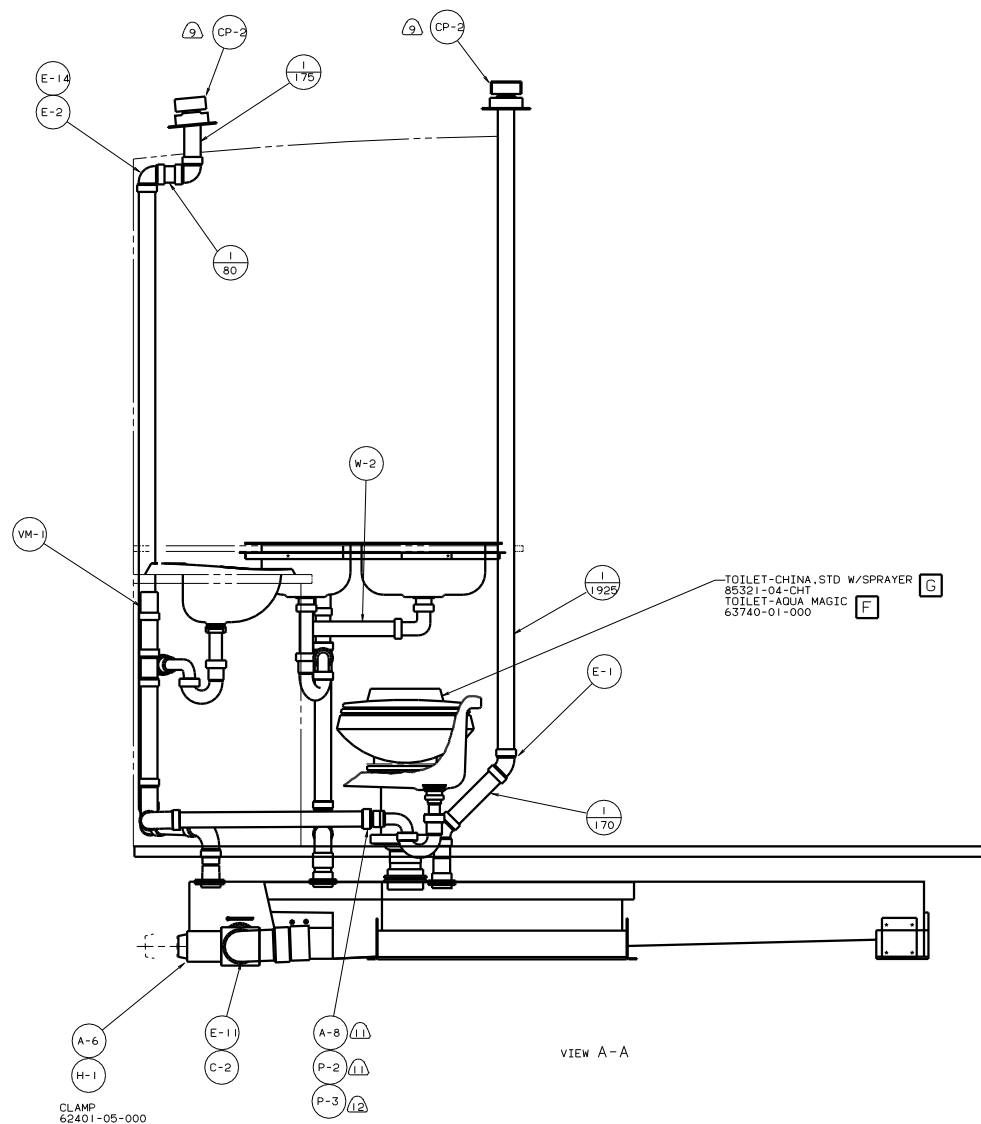
- CLAMP
- 62401-05-000 (2)
- BRACKET
- 95061-01-000 (4)
- SCREW
- 667-10-12B (4)

- CLAMP
- 62401-05-000
- BRACKET
- 95061-01-000 (2)
- SCREW
- 667-10-12B (2)

- (12) CSA ONLY.
- (11) US ONLY.
- (10) SECURE VENT TUBES TO THE FLOOR.
- (9) VENT PIPE MUST BE PROJECTED 51 TO 64 MAXIMUM ABOVE ROOF FOR PROPER FIT AND FUNCTION.
- (8) SEE DRAWING 61607-01-000 FOR INSTALLATION OF GROMMET.
- 7. SEAL ALL AROUND SHOWER WITH SILICONE 78474-01-CHT.
- 6. FOR CANADIAN UNITS EACH HOLDING TANK SHALL HAVE A CSA APPROVAL STAMPED NEAR IAPMO APPROVAL.
- 5. EXPOSED PIPE ABOVE ROOF TO BE PAINTED 37163-01-000.
- 4. ALL EXTERIOR OPENINGS AROUND PIPE TO BE SEALED WITH 110744-01-000.
- 3. ALL PIPE AND FITTINGS TO BE ASSEMBLED WITH SOLVENT 4020-01-000.
- 2. SLOPE OF TRAP MUST BE 6 PER 300 MINIMUM.
- 1. SLOPE OF HORIZONTAL PIPING TO BE 6 PER 300 MINIMUM.

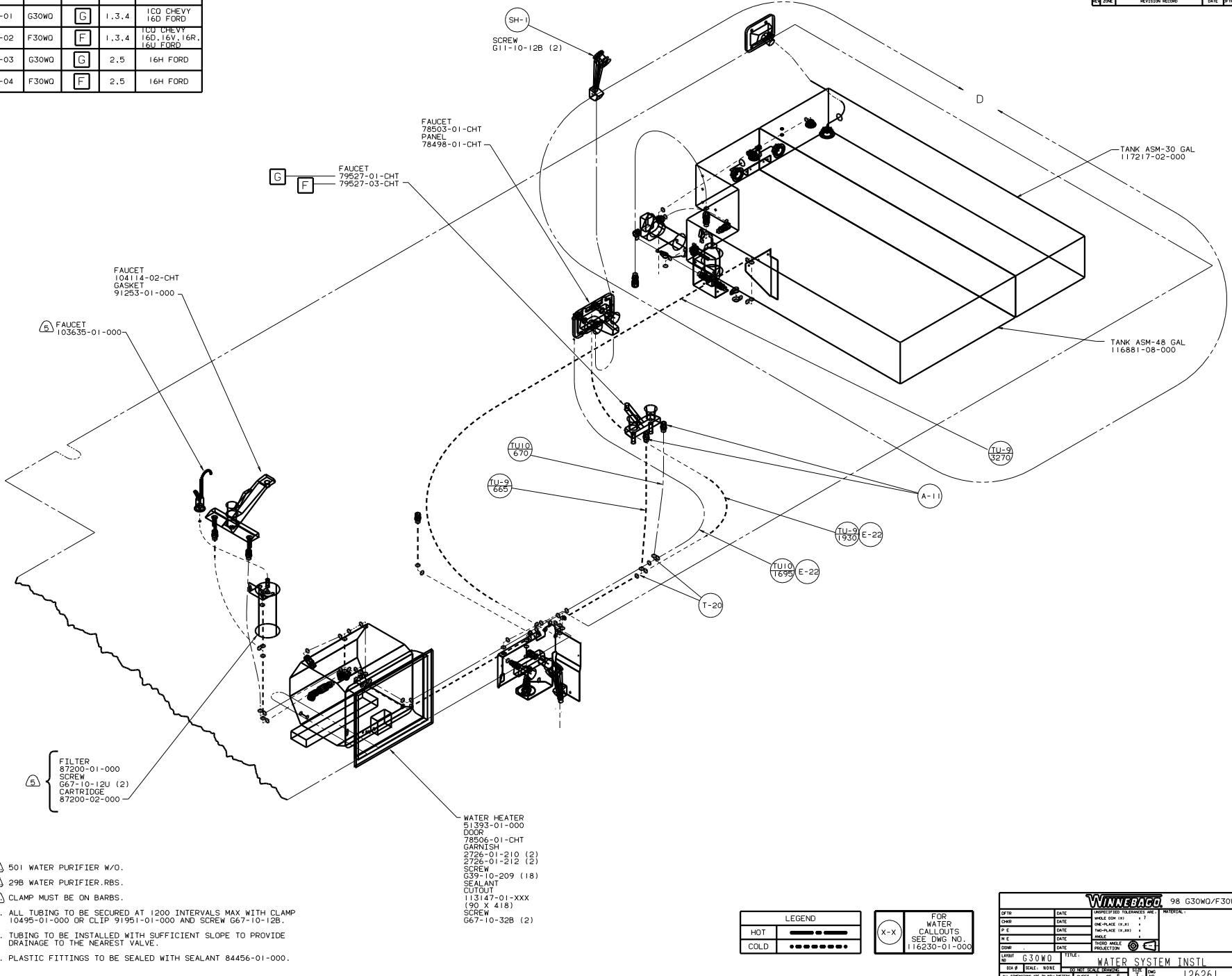
(X-X) FOR DRAINAGE CALLOUTS SEE DWG NO. 116229-01-000

WINNEBAGO		98 G30WD
DATE	UNDESIGNED TRADES ARE:	MATERIAL:
DATE	WELD ORN (1)	...
DATE	ONE-PIECE (1, 21)	...
DATE	TWO-PIECE (1, 20)	...
DATE	MIG	...
DATE	INDU. WELD	...
DATE	PROTECTION	...
LAYOUT G30WD	TITLE	DRAINAGE SYSTEM INSTL
SHEET 1 OF 2	SCALE: NONE	DATE: 122103 F
REF: 122103 F	126422	



DWG NO	----	----	SHEET	
126261-01	G30WD	G	1,3,4	100 CHEVY 16D FORD
126261-02	F30WD	F	1,3,4	100 CHEVY 16D, 16V, 16R, 16U FORD
126261-03	G30WD	G	2,5	16H FORD
126261-04	F30WD	F	2,5	16H FORD

RELEASE BY: DATE: 126261
 REVISION RECORD: DATE: 8/19/02



- 501 WATER PURIFIER W/O.
- 298 WATER PURIFIER. RBS.
- CLAMP MUST BE ON BARBS.
- ALL TUBING TO BE SECURED AT 1200 INTERVALS MAX WITH CLAMP 10495-01-000 OR CLIP 91951-01-000 AND SCREW G67-10-12B.
- TUBING TO BE INSTALLED WITH SUFFICIENT SLOPE TO PROVIDE DRAINAGE TO THE NEAREST VALVE.
- PLASTIC FITTINGS TO BE SEALED WITH SEALANT 84456-01-000.

LEGEND

HOT: [Symbol]

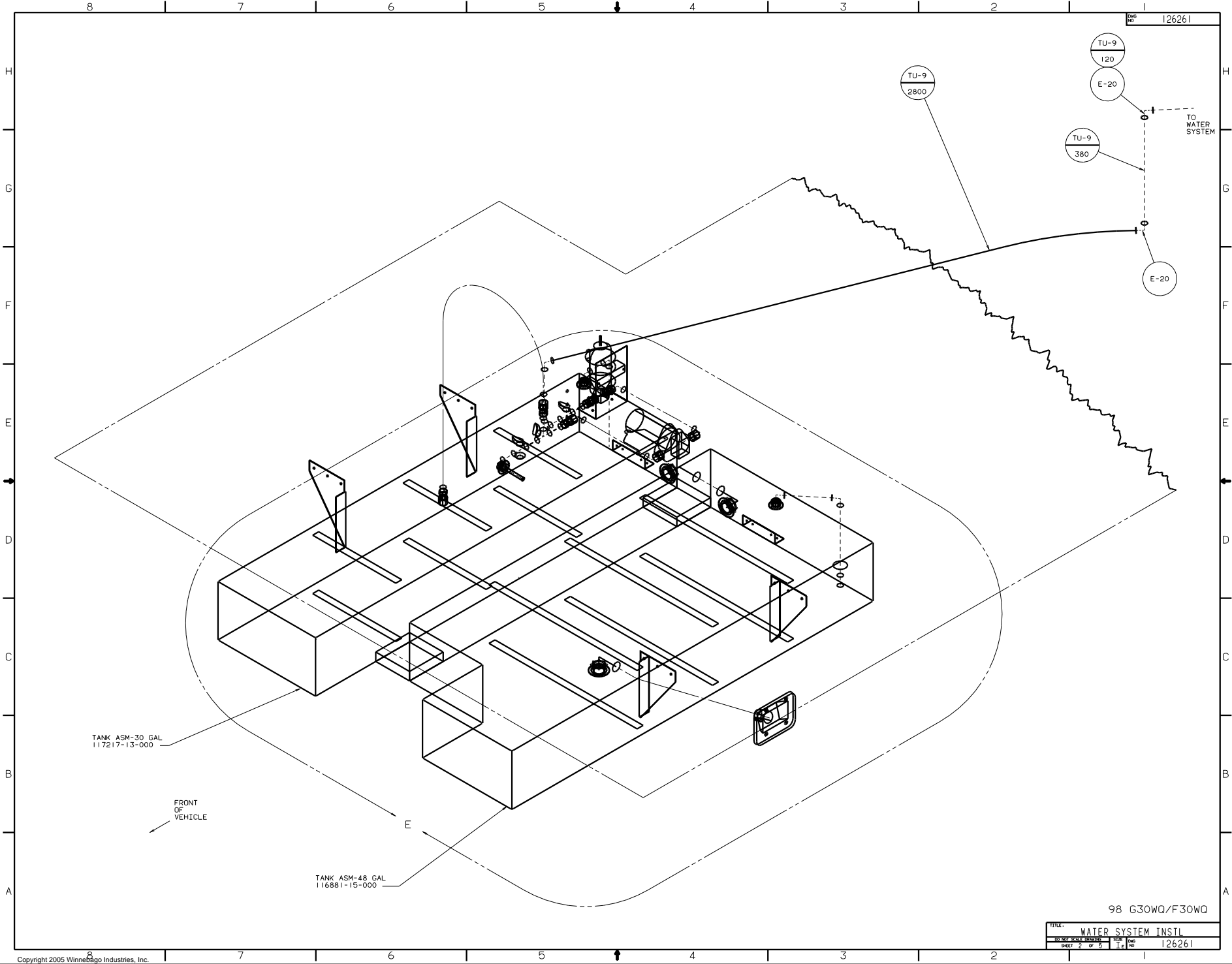
COLD: [Symbol]

FOR WATER CALLOUTS SEE DWG NO. 116230-01-000

WINNEBAGO 98 G30WD/F30WD

DATE	UNDESIGNED TOLERANCES ARE:	MATERIAL
DATE	WHOLE OR 1/16"	
DATE	ONE-PLACE (1/32) "	
DATE	TWO-PLACE (1/64) "	
DATE	THREE-PLACE (1/128) "	
DATE	FOUR-PLACE (1/256) "	
DATE	FIVE-PLACE (1/512) "	
DATE	SIX-PLACE (1/1024) "	
DATE	SEVEN-PLACE (1/2048) "	
DATE	EIGHT-PLACE (1/4096) "	
DATE	TEN-PLACE (1/10240) "	
DATE	TWELVE-PLACE (1/12288) "	
DATE	FIFTEEN-PLACE (1/15360) "	
DATE	TWENTY-PLACE (1/20480) "	
DATE	TWENTY-FIVE-PLACE (1/25600) "	
DATE	THIRTY-PLACE (1/30720) "	
DATE	THIRTY-FIVE-PLACE (1/35840) "	
DATE	FOURTY-PLACE (1/40960) "	
DATE	FOURTY-FIVE-PLACE (1/46080) "	
DATE	FIFTY-PLACE (1/51200) "	
DATE	FIFTY-FIVE-PLACE (1/56320) "	
DATE	SIXTY-PLACE (1/61440) "	
DATE	SIXTY-FIVE-PLACE (1/66560) "	
DATE	SEVENTY-PLACE (1/71680) "	
DATE	SEVENTY-FIVE-PLACE (1/76800) "	
DATE	EIGHTY-PLACE (1/81920) "	
DATE	EIGHTY-FIVE-PLACE (1/87040) "	
DATE	NINETY-PLACE (1/92160) "	
DATE	NINETY-FIVE-PLACE (1/97280) "	
DATE	HUNDRED-PLACE (1/102400) "	

LAUNCH NO: G30WD TITLE: WATER SYSTEM INSTL
 REV # SCALE: NONE 20-100 SCALE: 1:1
 ALL DIMENSIONS ARE IN MILLIMETERS SHEET 1 OF 5 FILE NO: 124461 A
 REF: 122104 H 126261



TANK ASM-30 GAL
117217-13-000

FRONT
OF
VEHICLE

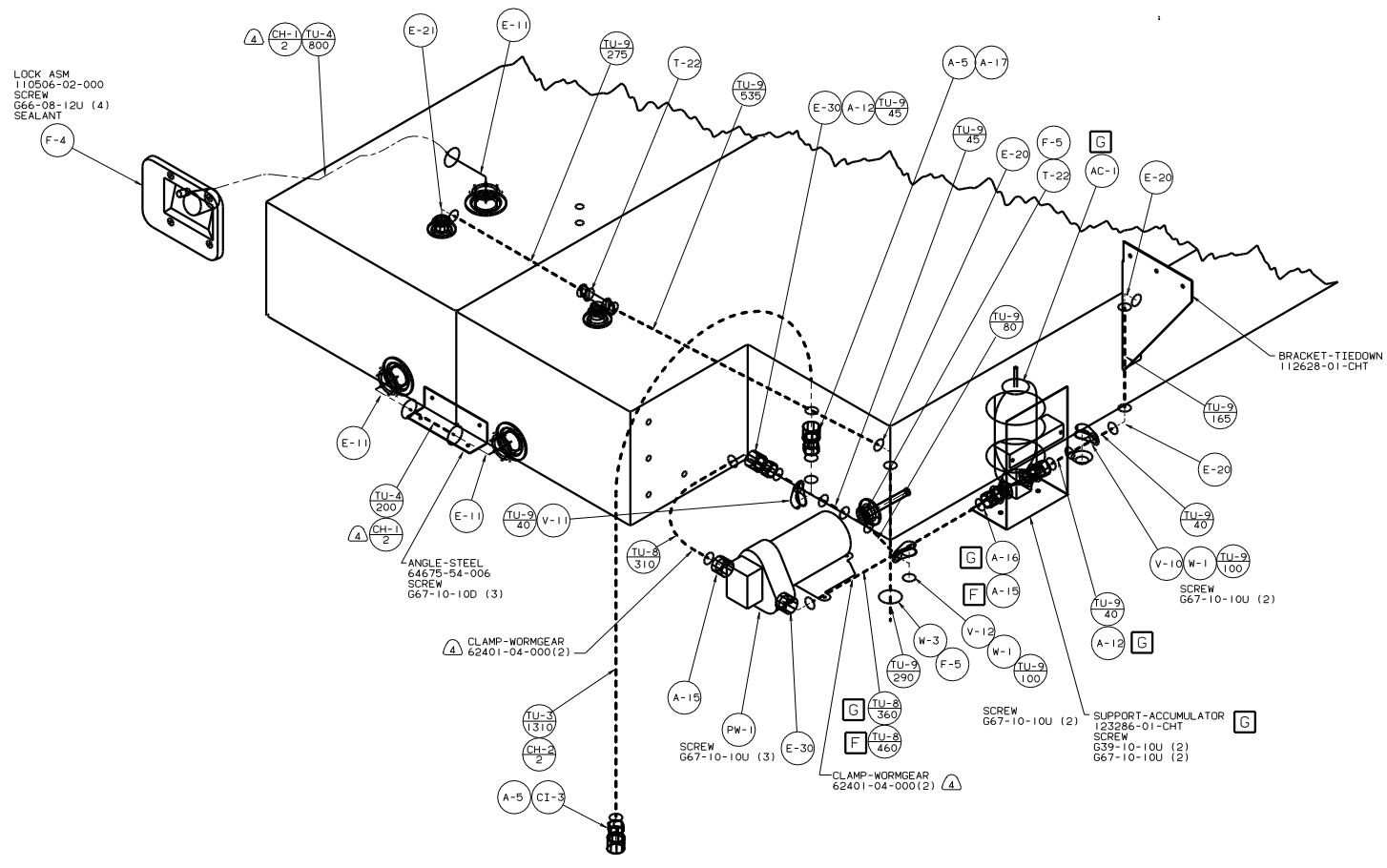
TANK ASM-48 GAL
116881-15-000

TU-9
120
E-20
TU-9
380
E-20

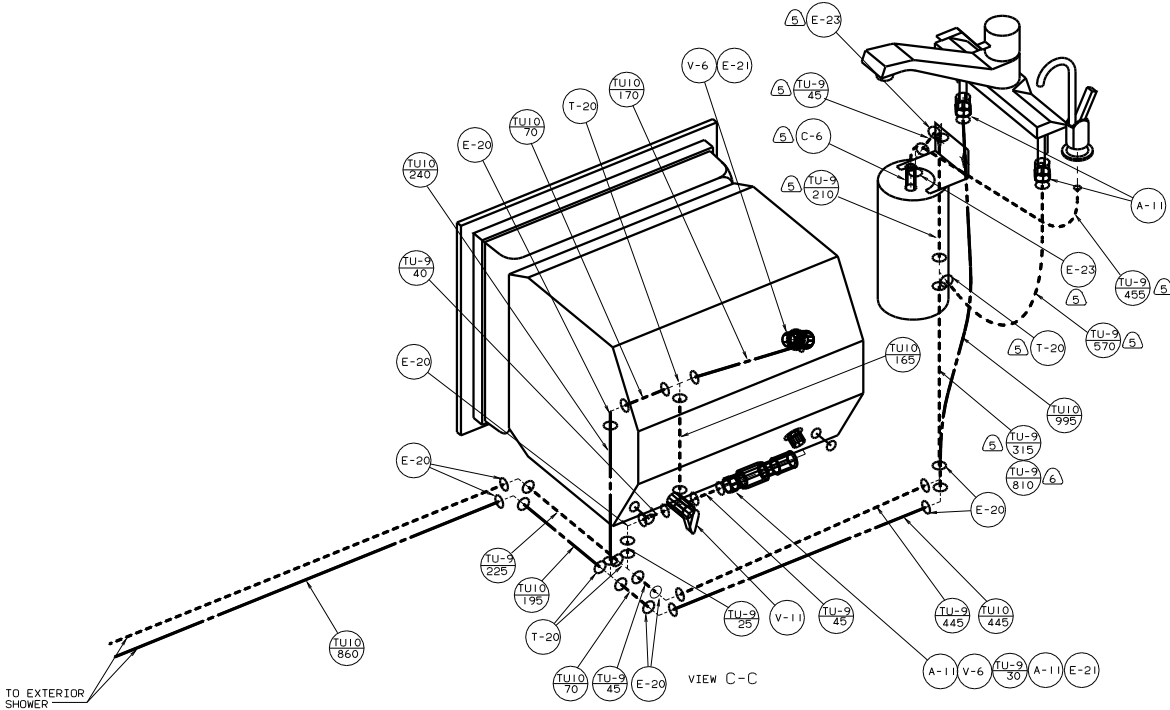
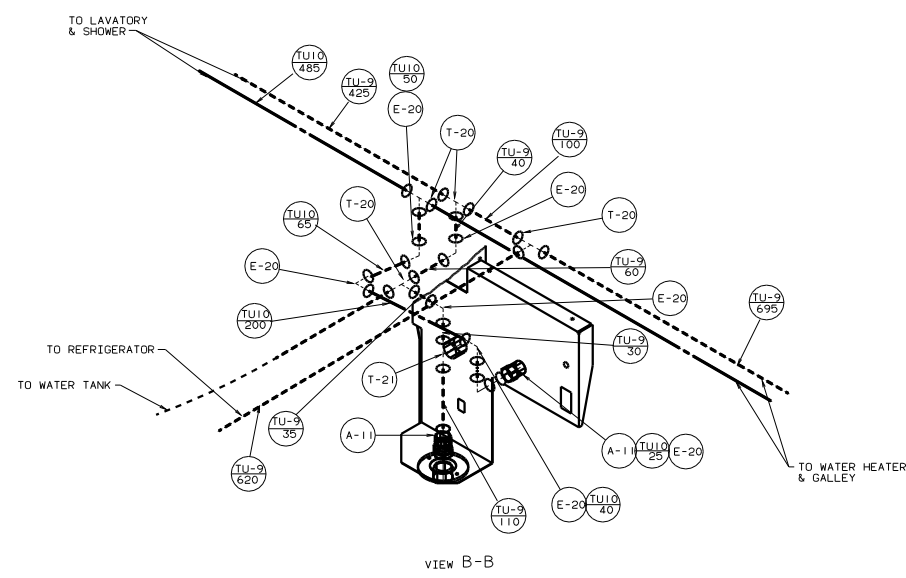
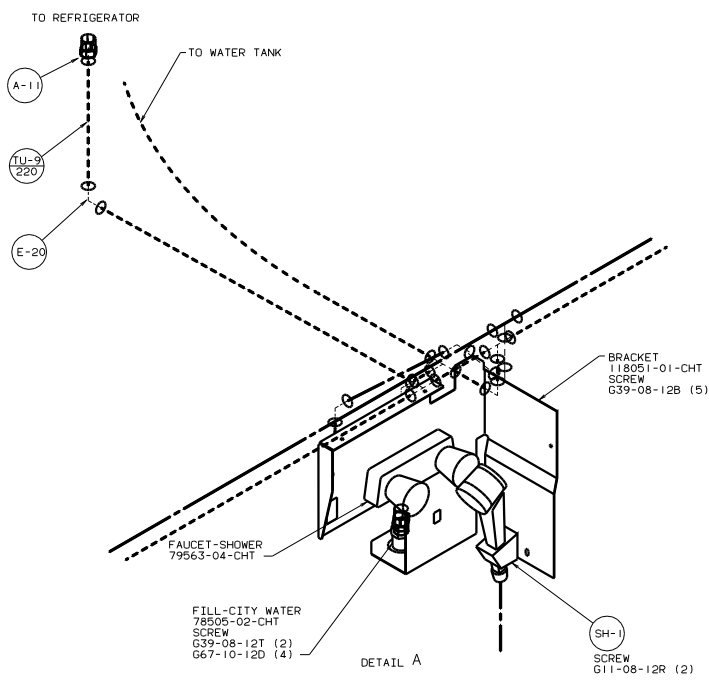
TO
WATER
SYSTEM

98 G30WD/F30WD

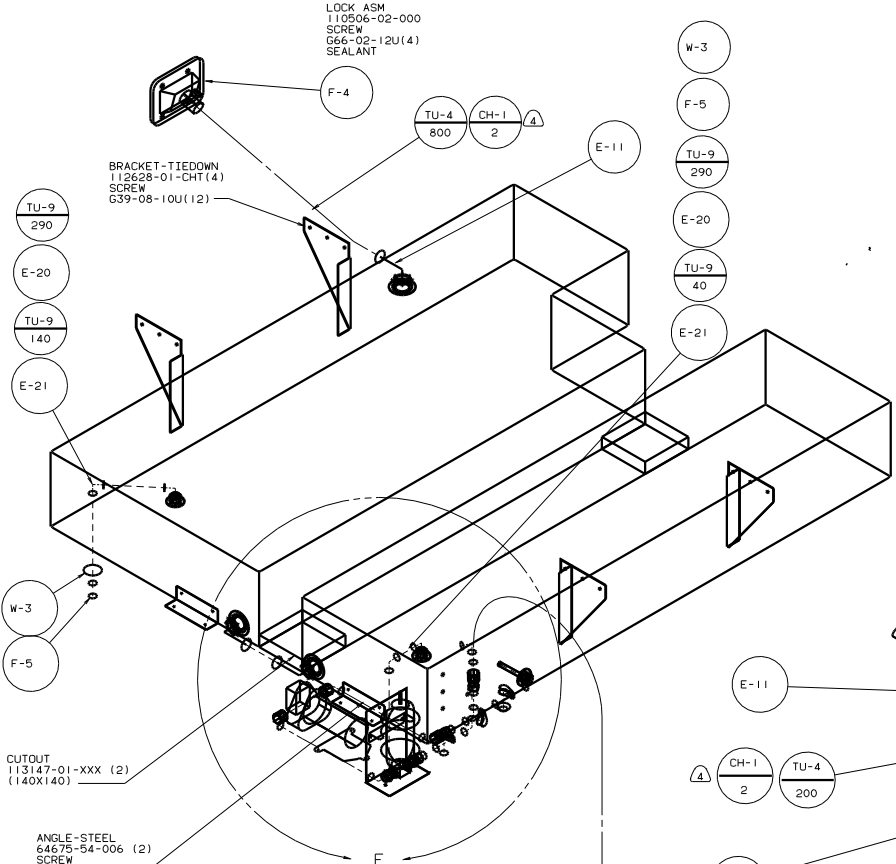
TITLE		126261	
WATER SYSTEM INSTL			
30 DAY SCALE DRAWING	DATE	1.6	
SHEET 2 OF 5	REV		



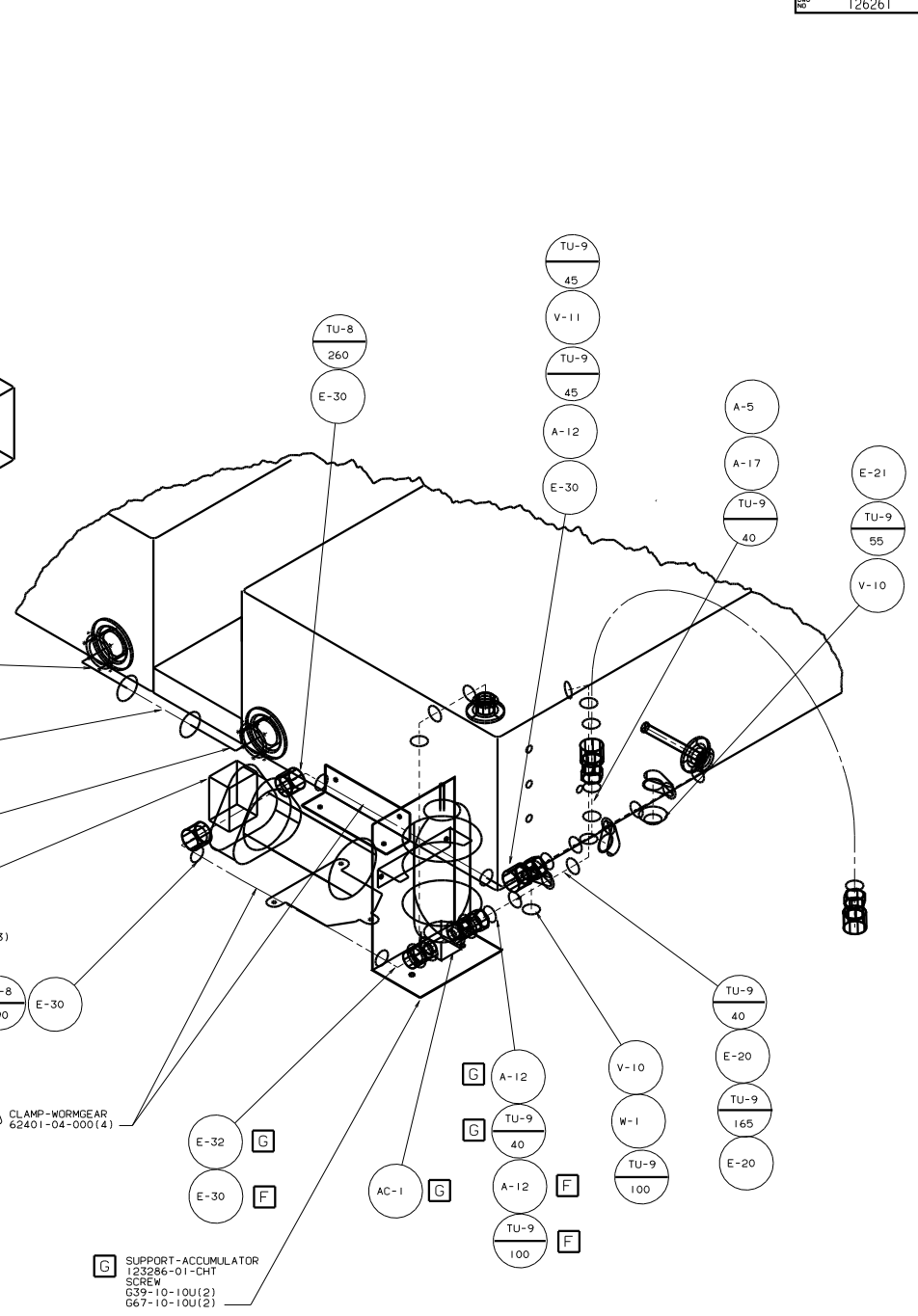
DETAIL D
ICM



LOCK ASM
110506-02-000
SCREW
G66-02-12U(4)
SEALANT



DETAIL E



DETAIL F