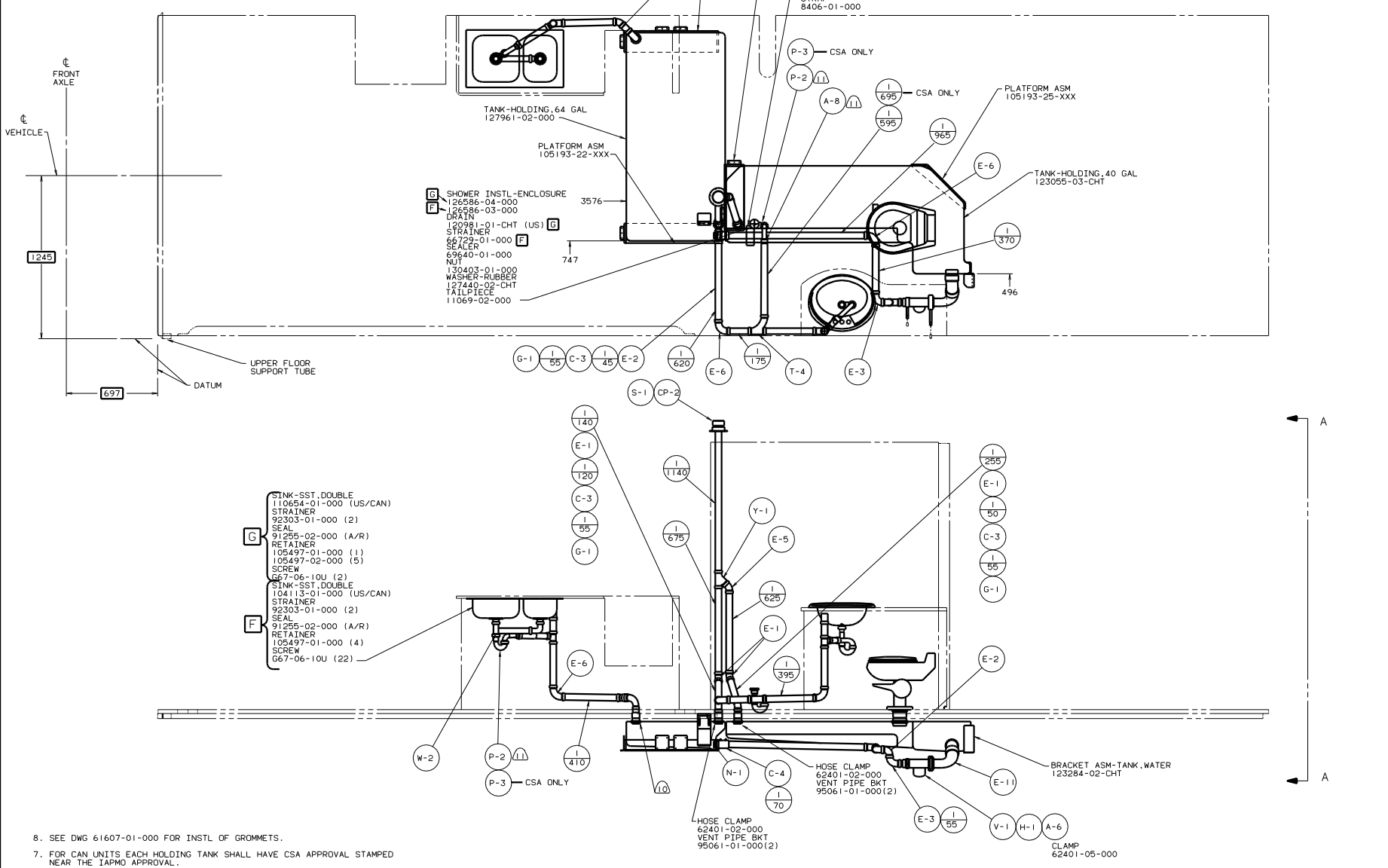


DWG NO	UNIT	
126295-01	G35WP	G
126295-02	F35WP	F

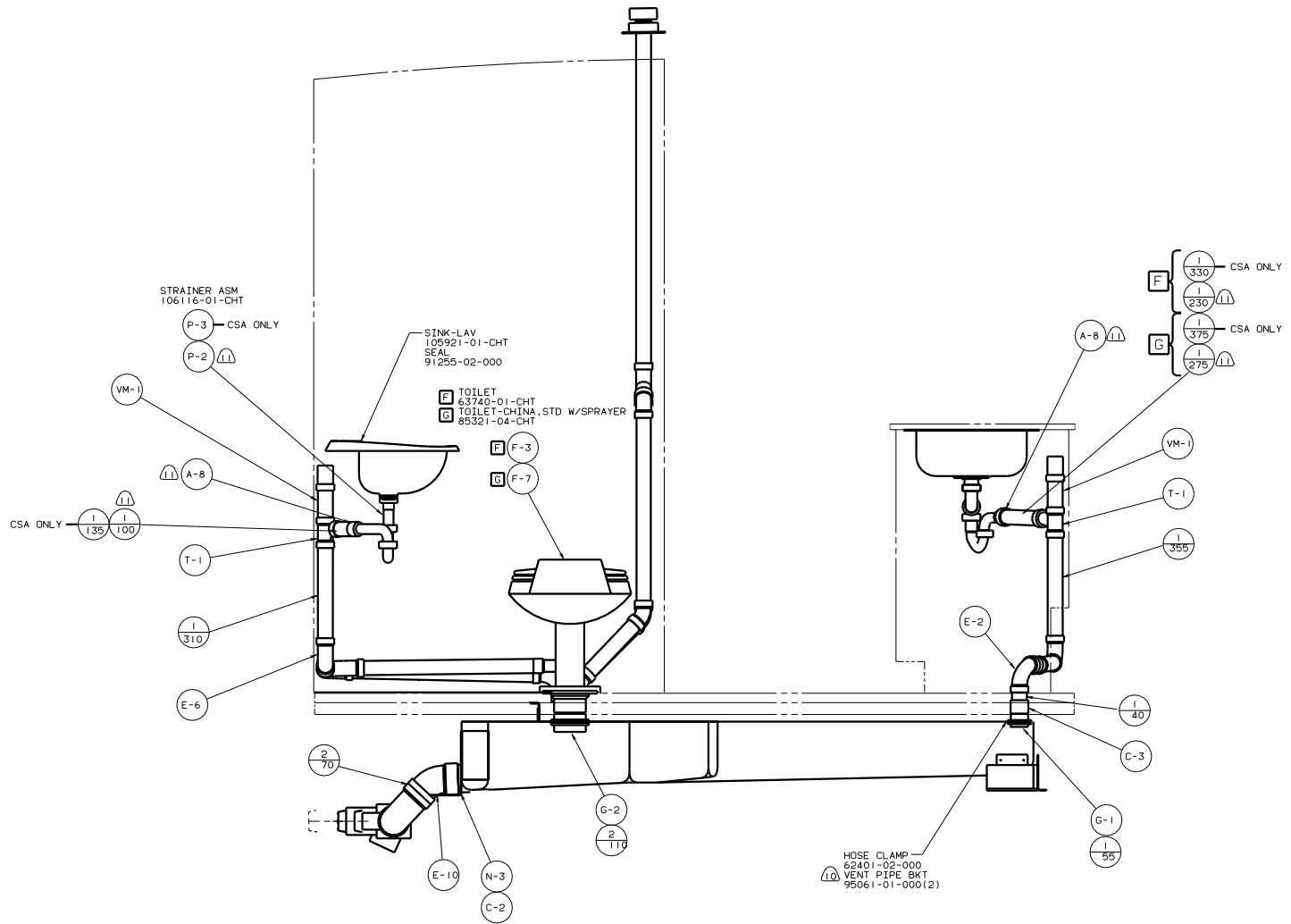


8. SEE DWG 61607-01-000 FOR INSTL OF GROMMETS.
7. FOR CAN UNITS EACH HOLDING TANK SHALL HAVE CSA APPROVAL STAMPED NEAR THE IAPMO APPROVAL.
6. SEAL AROUND SHOWER WITH SILICONE.
5. EXPOSED PIPE ABOVE ROOF TO BE PAINTED 37163-01-000.
4. ALL EXTERIOR OPENINGS AROUND PIPE TO BE SEALED WITH 110744-01-000.
3. ALL PIPE AND FITTINGS TO BE ASSEMBLED WITH SOLVENT 4020-01-000.
2. SLOPE OF TRAP ARM MUST BE 6 PER 305.
1. SLOPE OF HORIZONTAL PIPING TO BE 6 PER 305 MIN.

- Ⓛ NOT USED ON CANADIAN UNITS.
- Ⓞ SECURE VENT TUBES TO FLOOR WITH BRACKET
- Ⓢ VENT PIPE MUST PROJECT 51 MM MIN AND 63.5 MM MAX ABOVE ROOF FOR PROPER FIT AND FUNCTION.

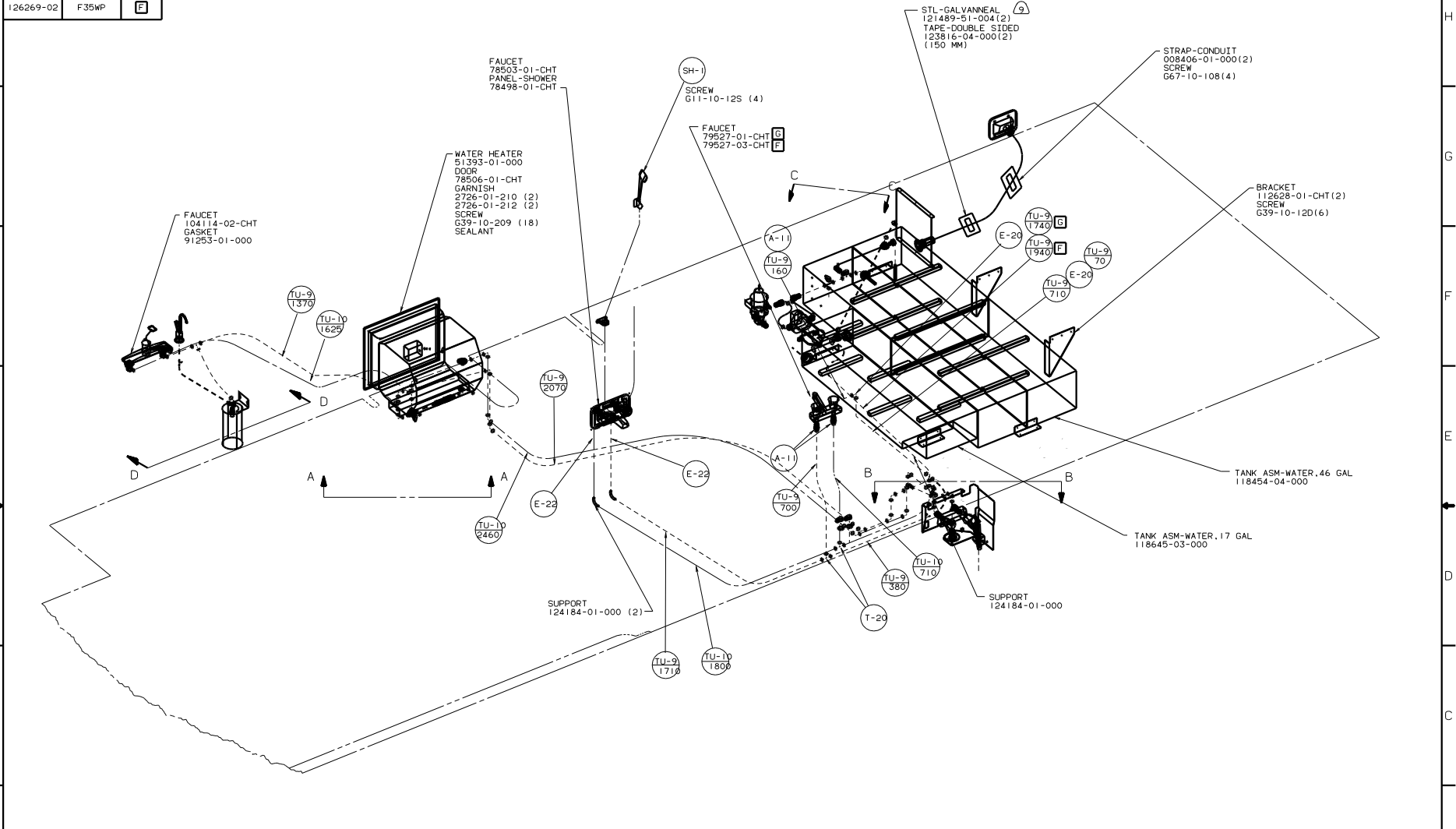
X-X FOR DRAINAGE CALLOUTS SEE DWG NO. 116229-01-000

		98 G35WP
DATE	UNDESIGNED TOLERANCES ARE:	MATERIAL
DATE	WHOLE DIM (IN)	FRACTION
DATE	ONE-PLACE (IN)	DECIMAL
DATE	TWO-PLACE (IN)	THOUSANDS
DATE	THREE-PLACE (IN)	ONE-HUNDRETHS
DATE	FOUR-PLACE (IN)	HUNDRETHS
DATE	FIVE-PLACE (IN)	TENTHS
DATE	SIX-PLACE (IN)	HUNDRETHS
DATE	SEVEN-PLACE (IN)	THOUSANDS
DATE	EIGHT-PLACE (IN)	HUNDRETHS
DATE	NINE-PLACE (IN)	TENTHS
DATE	TEN-PLACE (IN)	HUNDRETHS
DATE	ELEVEN-PLACE (IN)	TENTHS
DATE	TWELVE-PLACE (IN)	HUNDRETHS
DATE	THIRTEEN-PLACE (IN)	TENTHS
DATE	FOURTEEN-PLACE (IN)	HUNDRETHS
DATE	FIFTEEN-PLACE (IN)	TENTHS
DATE	SIXTEEN-PLACE (IN)	HUNDRETHS
DATE	SEVENTEEN-PLACE (IN)	TENTHS
DATE	EIGHTEEN-PLACE (IN)	HUNDRETHS
DATE	NINETEEN-PLACE (IN)	TENTHS
DATE	TWENTY-PLACE (IN)	HUNDRETHS
DATE	TWENTY-ONE-PLACE (IN)	TENTHS
DATE	TWENTY-TWO-PLACE (IN)	HUNDRETHS
DATE	TWENTY-THREE-PLACE (IN)	TENTHS
DATE	TWENTY-FOUR-PLACE (IN)	HUNDRETHS
DATE	TWENTY-FIVE-PLACE (IN)	TENTHS
DATE	TWENTY-SIX-PLACE (IN)	HUNDRETHS
DATE	TWENTY-SEVEN-PLACE (IN)	TENTHS
DATE	TWENTY-EIGHT-PLACE (IN)	HUNDRETHS
DATE	TWENTY-NINE-PLACE (IN)	TENTHS
DATE	THIRTY-PLACE (IN)	HUNDRETHS
DATE	THIRTY-ONE-PLACE (IN)	TENTHS
DATE	THIRTY-TWO-PLACE (IN)	HUNDRETHS
DATE	THIRTY-THREE-PLACE (IN)	TENTHS
DATE	THIRTY-FOUR-PLACE (IN)	HUNDRETHS
DATE	THIRTY-FIVE-PLACE (IN)	TENTHS
DATE	THIRTY-SIX-PLACE (IN)	HUNDRETHS
DATE	THIRTY-SEVEN-PLACE (IN)	TENTHS
DATE	THIRTY-EIGHT-PLACE (IN)	HUNDRETHS
DATE	THIRTY-NINE-PLACE (IN)	TENTHS
DATE	FOURTY-PLACE (IN)	HUNDRETHS
DATE	FOURTY-ONE-PLACE (IN)	TENTHS
DATE	FOURTY-TWO-PLACE (IN)	HUNDRETHS
DATE	FOURTY-THREE-PLACE (IN)	TENTHS
DATE	FOURTY-FOUR-PLACE (IN)	HUNDRETHS
DATE	FOURTY-FIVE-PLACE (IN)	TENTHS
DATE	FOURTY-SIX-PLACE (IN)	HUNDRETHS
DATE	FOURTY-SEVEN-PLACE (IN)	TENTHS
DATE	FOURTY-EIGHT-PLACE (IN)	HUNDRETHS
DATE	FOURTY-NINE-PLACE (IN)	TENTHS
DATE	FIFTY-PLACE (IN)	HUNDRETHS
DATE	FIFTY-ONE-PLACE (IN)	TENTHS
DATE	FIFTY-TWO-PLACE (IN)	HUNDRETHS
DATE	FIFTY-THREE-PLACE (IN)	TENTHS
DATE	FIFTY-FOUR-PLACE (IN)	HUNDRETHS
DATE	FIFTY-FIVE-PLACE (IN)	TENTHS
DATE	FIFTY-SIX-PLACE (IN)	HUNDRETHS
DATE	FIFTY-SEVEN-PLACE (IN)	TENTHS
DATE	FIFTY-EIGHT-PLACE (IN)	HUNDRETHS
DATE	FIFTY-NINE-PLACE (IN)	TENTHS
DATE	SIXTY-PLACE (IN)	HUNDRETHS
DATE	SIXTY-ONE-PLACE (IN)	TENTHS
DATE	SIXTY-TWO-PLACE (IN)	HUNDRETHS
DATE	SIXTY-THREE-PLACE (IN)	TENTHS
DATE	SIXTY-FOUR-PLACE (IN)	HUNDRETHS
DATE	SIXTY-FIVE-PLACE (IN)	TENTHS
DATE	SIXTY-SIX-PLACE (IN)	HUNDRETHS
DATE	SIXTY-SEVEN-PLACE (IN)	TENTHS
DATE	SIXTY-EIGHT-PLACE (IN)	HUNDRETHS
DATE	SIXTY-NINE-PLACE (IN)	TENTHS
DATE	SEVENTY-PLACE (IN)	HUNDRETHS
DATE	SEVENTY-ONE-PLACE (IN)	TENTHS
DATE	SEVENTY-TWO-PLACE (IN)	HUNDRETHS
DATE	SEVENTY-THREE-PLACE (IN)	TENTHS
DATE	SEVENTY-FOUR-PLACE (IN)	HUNDRETHS
DATE	SEVENTY-FIVE-PLACE (IN)	TENTHS
DATE	SEVENTY-SIX-PLACE (IN)	HUNDRETHS
DATE	SEVENTY-SEVEN-PLACE (IN)	TENTHS
DATE	SEVENTY-EIGHT-PLACE (IN)	HUNDRETHS
DATE	SEVENTY-NINE-PLACE (IN)	TENTHS
DATE	EIGHTY-PLACE (IN)	HUNDRETHS
DATE	EIGHTY-ONE-PLACE (IN)	TENTHS
DATE	EIGHTY-TWO-PLACE (IN)	HUNDRETHS
DATE	EIGHTY-THREE-PLACE (IN)	TENTHS
DATE	EIGHTY-FOUR-PLACE (IN)	HUNDRETHS
DATE	EIGHTY-FIVE-PLACE (IN)	TENTHS
DATE	EIGHTY-SIX-PLACE (IN)	HUNDRETHS
DATE	EIGHTY-SEVEN-PLACE (IN)	TENTHS
DATE	EIGHTY-EIGHT-PLACE (IN)	HUNDRETHS
DATE	EIGHTY-NINE-PLACE (IN)	TENTHS
DATE	NINETY-PLACE (IN)	HUNDRETHS
DATE	NINETY-ONE-PLACE (IN)	TENTHS
DATE	NINETY-TWO-PLACE (IN)	HUNDRETHS
DATE	NINETY-THREE-PLACE (IN)	TENTHS
DATE	NINETY-FOUR-PLACE (IN)	HUNDRETHS
DATE	NINETY-FIVE-PLACE (IN)	TENTHS
DATE	NINETY-SIX-PLACE (IN)	HUNDRETHS
DATE	NINETY-SEVEN-PLACE (IN)	TENTHS
DATE	NINETY-EIGHT-PLACE (IN)	HUNDRETHS
DATE	NINETY-NINE-PLACE (IN)	TENTHS
DATE	HUNDRED-PLACE (IN)	HUNDRETHS



VIEW A-A

DWG NO	UNIT	
126269-01	G35WP	G
126269-02	F35WP	F



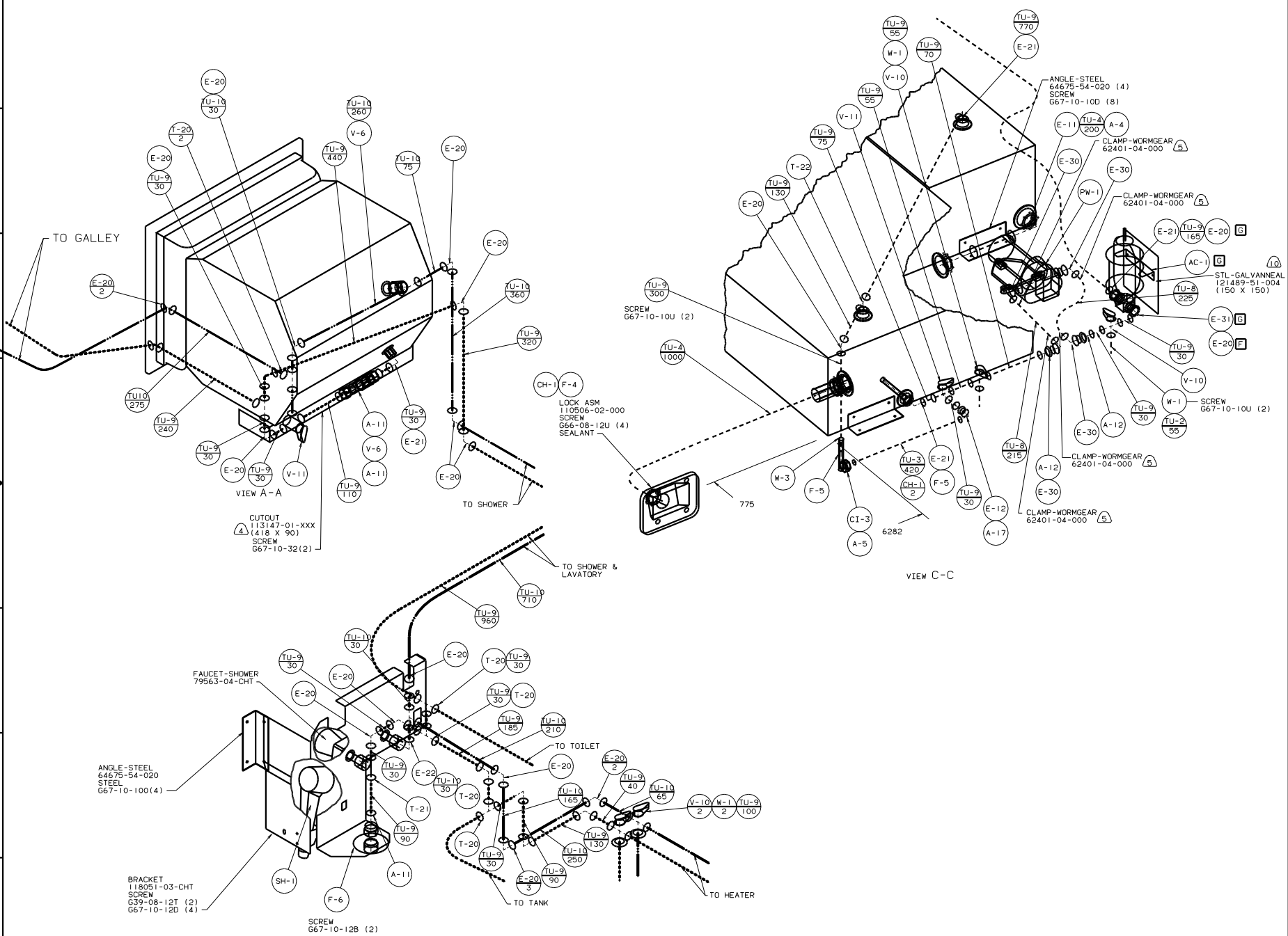
- (10) USE 119938-02-000 TO BOND TO RISER.
 (9) STEEL TO BE ATTACHED TO BOTTOM OF UPPER FLOOR.
 (8) OUTLET OF VALVE TOWARD PUMP MUST BE OPEN AT ALL TIMES.
 (7) USE WITH ICE MAKER.
 (6) USE WITH WATER PURIFIER.
 (5) CLAMP MUST BE ON BARBS.
 (4) LOCATE CUTOUT TO SUPPORT WATER HEATER.
3. ALL TUBING TO BE SECURED AT 1200 INTERVALS MAX WITH CLIP 91951-01-000 AND SCREW G13-06-16U.
2. TUBING TO BE INSTALLED WITH SUFFICIENT SLOPE TO PROVIDE DRAINAGE TO NEAREST VALVE.
1. PLASTIC FITTINGS TO BE SEALED WITH SEALANT 84456-01-000.

NOTES:

X-X	FOR
	WATER CALLOUTS SEE DWG NO. 116230-01-000

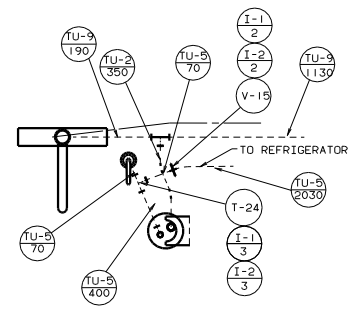
LEGEND	
HOT	-----
COLD	-----

WINNEAGO 98 F & G35WP			
OF IT	DATE	UNDESIGNED TOLERANCES ARE:	MATERIAL
DRW	DATE	HOLES DRILL	
PIP	DATE	ONE-PLACE (R.A1)	
P/E	DATE	TWO-PLACE (R.A2)	
W/E	DATE	ANGLE	
CDRW	DATE	INDUS. W/OLE PRODUCTION	
LAYOUT NO.	G35WP	TITLE:	WATER SYSTEM INSTL
REV #	SCALE: NONE	DWG NO.	126269
ALL DIMENSIONS ARE IN MILLIMETERS		SHEET	1 OF 3

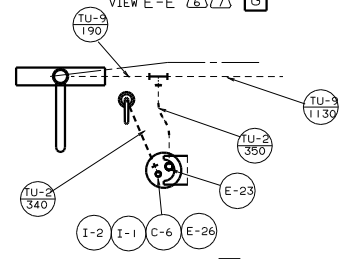


98 F & G35WP

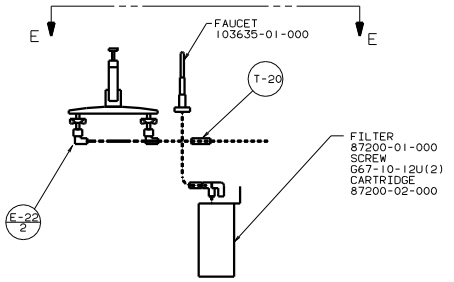
TITLE		WATER SYSTEM INSTL	
NO	REV	DATE	BY
2	1		



VIEW E-E (A) (7) (G)



VIEW E-E (A) (G)



VIEW D-D (A) (G)