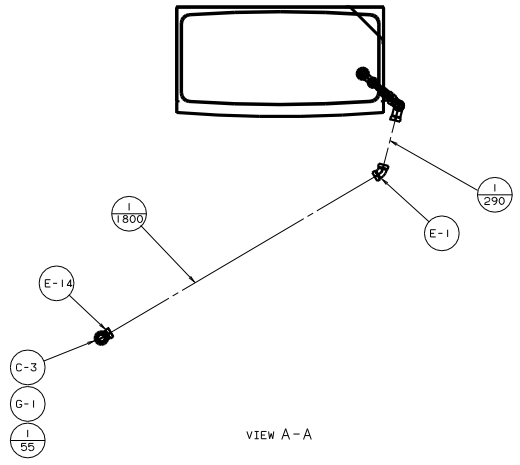


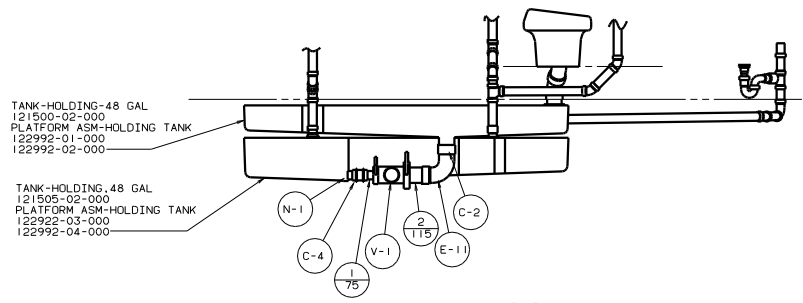
- ④ NOT USED ON CANADIAN UNITS.
- ③ 1A8 SLIDE-OUT ROOM-W/O,FRT LT.
- ② 09L SLIDE-OUT ROOM,FRT LT.
- ① TRIM P-TRAP EXTENSION TO FIT.
- 10 SECURE VENT TUBES TO FLOOR WITH BRACKET 95061-01-000(2), CLAMP 62401-02-000, PLATE COVER 94346-03-000, SCREW G67-10-12B(2), AND STAPLE 5403-03-000.
- ⑨ VENT PIPE MUST PROJECT 51 MM MIN AND 63.5 MM MAX ABOVE ROOF FOR PROPER FIT AND FUNCTION.
8. SEE DWG 61607-01-000 FOR INSTL OF GROMMETS.
7. SEAL ALL AROUND SHOWER WITH SILICONE.
6. FOR CAN UNITS EACH HOLDING TANK SHALL HAVE A CSA APPROVAL STAMPED NEAR THE IAMPO APPROVAL.
5. EXPOSED PIPE ABOVE ROOF TO BE PAINTED 37163-01-000.
4. ALL EXTERIOR OPENINGS AROUND PIPE TO BE SEALED WITH 110744-01-000.
3. ALL PIPE AND FITTINGS TO BE ASSEMBLED WITH SOLVENT 4020-01-000.
2. SLOPE OF TRAP ARM MUST BE 6 PER 305.
1. SLOPE OF HORIZONTAL PIPING TO BE 6 PER 305 MIN.

FOR DRAINAGE CALLOUTS SEE DWG NO. 116229-01-000

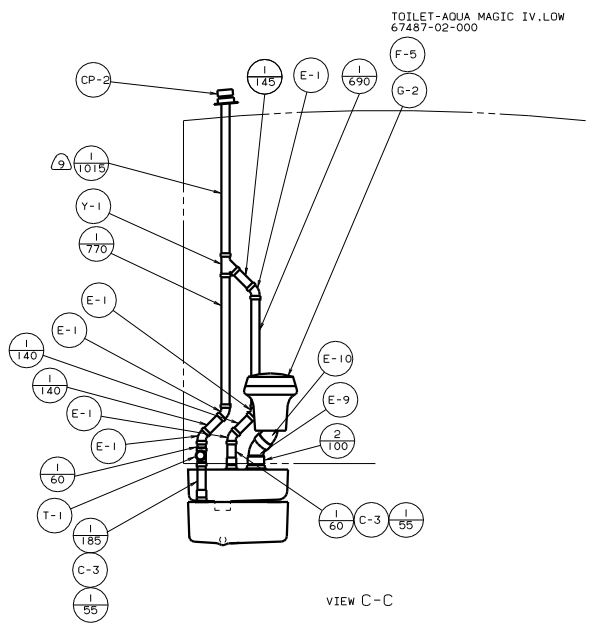
WYNNÄGÖ		98 F3300	
OF IN	DATE	UNSPECIFIED TOLERANCES ARE	MATERIAL
COMP	DATE	WHOLE DIM (31)	F
PIPE	DATE	ONE-PLACE (9.41)	
P/E	DATE	TWO-PLACE (9.49)	
DATE	DATE	ANGLE	
COMP	DATE	INDIC. W/ANGLE PROJECTION	
LAYOUT NO. F3300		TITLE DRAINAGE SYSTEM INSTL	
REV #	SCALE	NO. OF SHEETS	SHEET NO.
	NOTE	1 OF 2	16
ALL DIMENSIONS ARE IN MILLIMETERS			
REF: 1215250		126411	



VIEW A-A

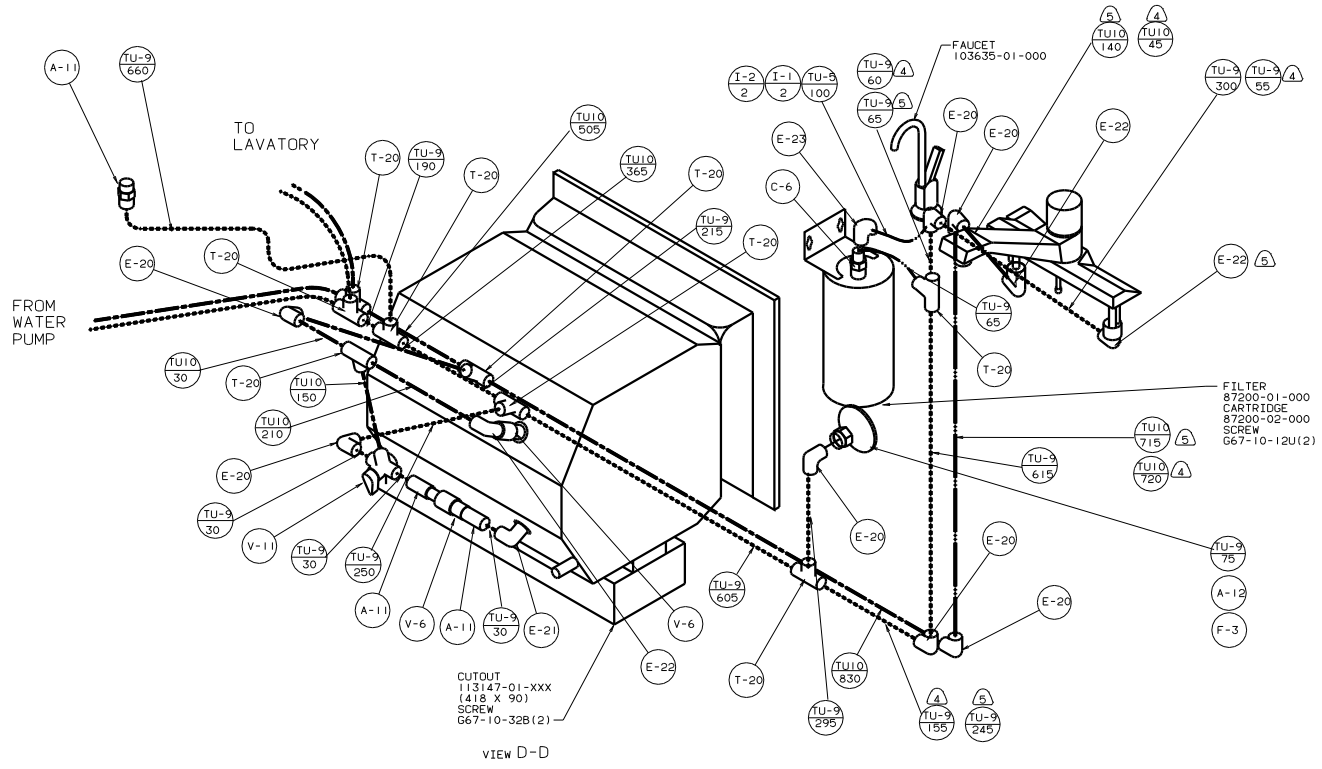


VIEW B-B

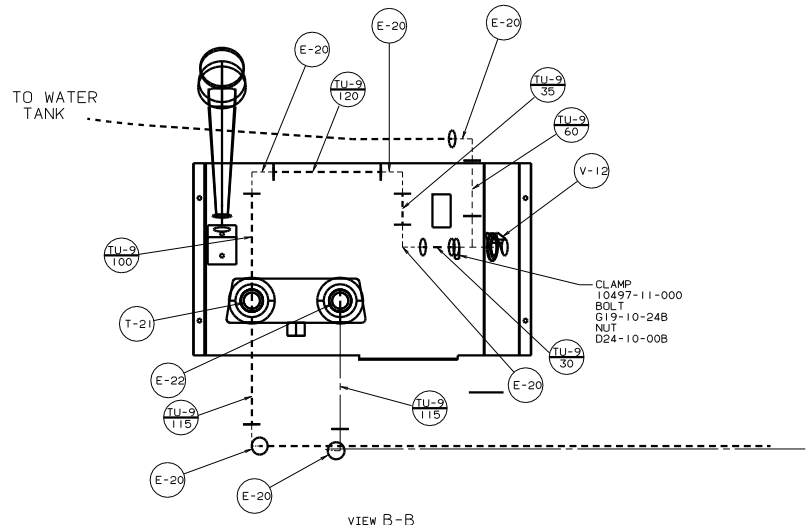


VIEW C-C





VIEW D-D



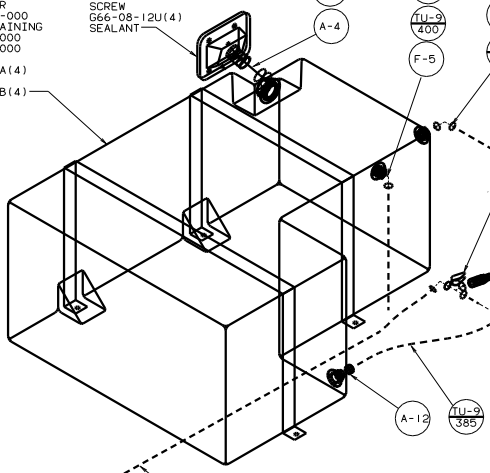
VIEW B-B

TANK-WATER  
 121959-04-000  
 STRAP-RETAINING  
 54168-27-000  
 54168-28-000  
 BOLT  
 C18-05-04A(4)  
 NUT  
 D34-06-00B(4)

F-4  
 LOCK ASM  
 110506-02-000  
 SCREW  
 G66-08-12U(4)  
 SEALANT

CH-2  
 2  
 TU-4  
 75  
 A-4  
 E-21  
 TU-9  
 400  
 F-5  
 A-12  
 E-20  
 TU-9  
 80  
 V-11  
 E-20  
 TU-9  
 1500

A-17  
 A-5  
 2  
 CI-3  
 TU-3  
 900  
 CH-2  
 2  
 TU-9  
 30

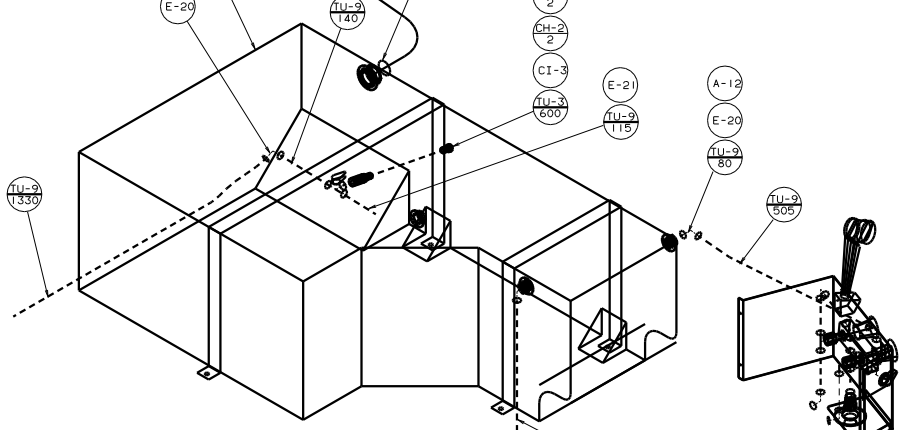


DETAIL A  
 45G BED-TWIN

TANK-WATER  
 125359-02-000  
 STRAP-RETAINING  
 54168-31-000  
 54168-32-000  
 BOLT  
 C18-05-04A(4)  
 NUT  
 D34-06-00B(4)

F-4  
 LOCK ASM  
 110506-02-000  
 SCREW  
 G66-08-12U(4)  
 SEALANT

TU-4  
 1220  
 CH-1  
 2  
 A-4  
 A-17  
 TU-9  
 30  
 V-11  
 A-5  
 2  
 CH-2  
 2  
 CI-3  
 TU-3  
 600  
 E-21  
 TU-9  
 115  
 A-12  
 E-20  
 TU-9  
 80  
 TU-9  
 505



DETAIL A  
 49X BED-QUEEN CENTERED